



US00D538138S

(12) **United States Design Patent**
Knight

(10) **Patent No.:** **US D538,138 S**

(45) **Date of Patent:** **** Mar. 13, 2007**

(54) **FOLDING CARABINER WITH SPRING GATE**

4,811,486 A 3/1989 Cunningham
4,837,982 A 6/1989 Elsener
D304,154 S 10/1989 Osterhout
4,888,869 A 12/1989 Leatherman

(75) Inventor: **Nathan E. Knight**, Portland, OR (US)

(Continued)

(73) Assignee: **Leatherman Tool Group, Inc.**,
Portland, OR (US)

FOREIGN PATENT DOCUMENTS

(**) Term: **14 Years**

CH 277412 11/1951
EP 0100377 2/1984
EP 0714736 6/1996
GB 2190321 11/1987

(21) Appl. No.: **29/232,146**

(22) Filed: **Jun. 14, 2005**

OTHER PUBLICATIONS

(51) **LOC (8) Cl.** **08-05**

(52) **U.S. Cl.** **D8/356**

(58) **Field of Classification Search** D8/356,
D8/370; 24/573.5, 599.1

Camillus Knives, Aftermath CU 2562 Folding Knife with Assisted Opening, photocopy of photos taken of product, on sale at least as early as Jun. 2004.

See application file for complete search history.

(Continued)

(56) **References Cited**

Primary Examiner—Holly H. Baynham

(74) *Attorney, Agent, or Firm*—Chernoff, Vilhauer, McClung & Stenzel, LLP

U.S. PATENT DOCUMENTS

226,910 A 4/1880 Friebertshauser
362,718 A 5/1887 Brueckner
551,052 A 12/1895 Shonnard et al.
749,230 A 1/1904 Severance
959,909 A 9/1910 Schrade
1,454,665 A 5/1923 Bobek
1,743,022 A 1/1930 Carman
1,828,121 A 10/1931 Adam et al.
2,250,290 A 7/1941 Berg
2,263,415 A 11/1941 Berg et al.
D167,920 S 10/1952 Zuras
4,124,939 A 11/1978 Onoue
4,342,410 A 8/1982 Sloan
4,347,665 A 9/1982 Glesser
4,404,748 A 9/1983 Wiethoff
4,451,982 A 6/1984 Collins
4,502,221 A 3/1985 Pittman
D280,179 S 8/1985 Miceli
4,563,813 A 1/1986 Fortenberry
4,570,341 A 2/1986 Konneker
4,719,700 A 1/1988 Taylor, Jr.
4,741,106 A 5/1988 Yamagishi
4,776,094 A 10/1988 Glesser
4,805,303 A 2/1989 Gibbs

(57) **CLAIM**

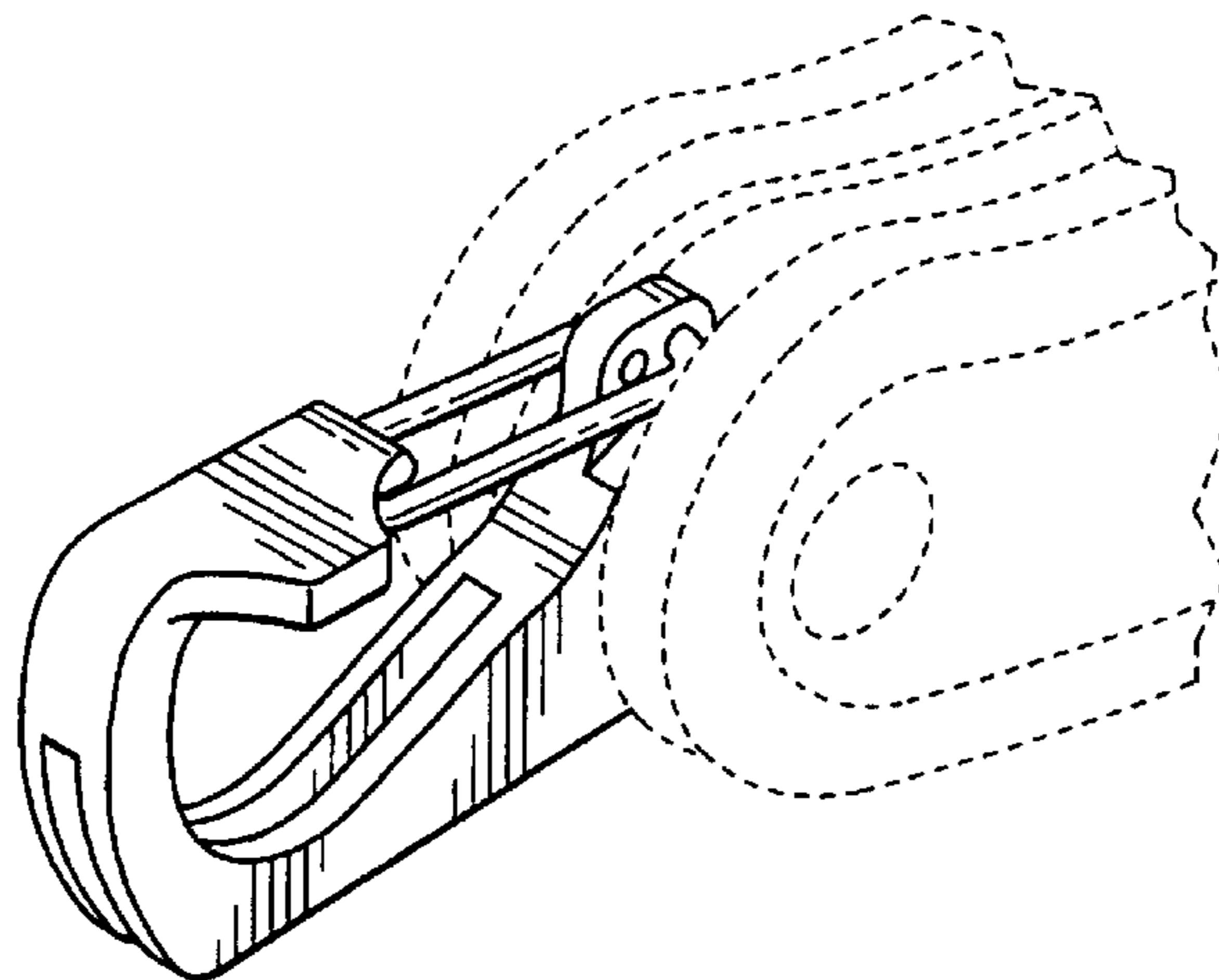
The ornamental design for a folding carabiner with spring gate, as shown and described.

DESCRIPTION

FIG. 1 is an isometric view from the upper left front of a folding carabiner with spring gate showing my new design; FIG. 2 is a left side elevational view thereof; FIG. 3 is a top plan view thereof; FIG. 4 is a bottom plan view thereof; FIG. 5 is a front end elevational view thereof; and, FIG. 6 is a right side elevational view thereof.

The broken lines in FIGS. 1–6 bounding the shaded areas represent the bounds of the claimed design. The broken lines showing portions of the tool handle in which the carabiner is mounted are for illustrative purposes only and form no part of the claimed design. None of the broken lines form part of the claimed design.

1 Claim, 2 Drawing Sheets



US D538,138 S

U.S. PATENT DOCUMENTS					
4,896,424	A	1/1990 Walker	D422,477	S	4/2000 Elishewitz
D309,409	S	7/1990 Kiernan	D422,478	S	4/2000 Elishewitz
4,947,552	A	8/1990 Barnes	D422,480	S	4/2000 McHenry et al.
4,974,323	A	12/1990 Cassady	D422,669	S	4/2000 Elishewitz
4,979,301	A	12/1990 Walker	D422,779	S	4/2000 Pardue
D319,767	S	9/1991 Sargent	D422,873	S	4/2000 McHenry
5,044,079	A	9/1991 Gibbs	D422,877	S	4/2000 Elishewitz
5,060,379	A	10/1991 Neely	6,079,106	A	6/2000 Vallotton
5,095,624	A	3/1992 Ennis	D427,501	S	7/2000 Berg et al.
5,111,581	A	5/1992 Collins	D428,789	S	8/2000 McHenry et al.
5,245,721	A	9/1993 Lowe et al.	D428,791	S	8/2000 Anderson et al.
5,251,353	A	10/1993 Lin	D429,616	S	8/2000 Rivera
5,270,909	A	12/1993 Weiss et al.	D429,621	S	8/2000 Rivera
5,280,659	A	1/1994 Park	D429,989	S	8/2000 Rivera
D344,006	S	2/1994 Glesser	6,101,724	A	8/2000 Halligan
5,293,690	A	3/1994 Cassady	6,105,255	A	8/2000 Cheng
5,331,741	A	7/1994 Taylor, Jr.	6,112,352	A	9/2000 Legg
5,349,753	A	9/1994 Gaffney	D431,991	S	10/2000 Elishewitz
D356,019	S	3/1995 Sakai	D432,386	S	10/2000 Elishewitz
5,400,509	A	3/1995 Collins	6,128,805	A	10/2000 Rivera
D357,166	S	4/1995 Concari	D433,913	S	11/2000 Pardue
5,437,101	A	8/1995 Collins	6,145,202	A	11/2000 Onion
5,450,670	A	9/1995 Sakai	6,145,851	A	11/2000 Heber
5,463,798	A	11/1995 Wurzer	D435,400	S	12/2000 Veltz et al.
D365,266	S	12/1995 Hasegawa	D435,776	S	1/2001 Veltz et al.
5,495,673	A	3/1996 Gardiner et al.	D436,514	S	1/2001 Rivera
5,502,895	A	4/1996 Lemaire	6,170,104	B1	1/2001 Seber et al.
5,515,610	A	5/1996 Levin et al.	6,223,372	B1	5/2001 Barber
5,537,750	A	7/1996 Seber et al.	6,233,769	B1	5/2001 Seber et al.
D373,521	S	9/1996 Applegate et al.	6,256,887	B1	7/2001 Osborne
D376,743	S	12/1996 Seber et al.	D446,709	S	8/2001 Rivera
D377,433	S	1/1997 Seber et al.	D447,041	S	8/2001 Rivera
5,628,117	A	5/1997 Glesser	6,282,997	B1	9/2001 Frazer
D382,190	S	8/1997 Blackston et al.	6,286,397	B1	9/2001 Taggart et al.
D385,471	S	10/1997 Seber et al.	6,308,420	B1	10/2001 Moser
5,689,885	A	11/1997 Walston	D454,611	S	3/2002 Veltz et al.
5,692,304	A	12/1997 Campbell	6,360,443	B1	3/2002 Remus
D392,538	S	3/1998 Buck et al.	6,389,625	B1	5/2002 Rivera
D393,405	S	4/1998 Seber et al.	6,397,476	B1	6/2002 Onion
5,737,841	A	4/1998 McHenry et al.	6,397,477	B1	7/2002 Jue et al.
5,755,035	A	5/1998 Weatherly	6,438,848	B1	8/2002 McHenry et al.
5,765,247	A	6/1998 Seber et al.	6,438,849	B1	8/2002 Wonderley
5,781,950	A	7/1998 Swinden et al.	6,442,843	B1	9/2002 Jue et al.
5,802,722	A	9/1998 Maxey et al.	6,490,797	B1	12/2002 Lake et al.
5,809,600	A	9/1998 Cachot	D470,032	S	2/2003 Rivera
5,815,927	A	10/1998 Collins	D474,095	S	5/2003 Luquire
5,822,866	A	10/1998 Pardue	D474,670	S	5/2003 Rivera
5,822,867	A	10/1998 Sakai	6,560,873	B1	5/2003 Ortner
5,826,340	A	10/1998 Hull	D475,591	S	* 6/2003 Luquire D8/34
D403,944	S	1/1999 Rivera	6,574,869	B1	6/2003 McHenry et al.
D405,675	S	2/1999 Rivera	6,591,504	B2	7/2003 Onion
D405,676	S	2/1999 Rivera	6,594,906	B1	7/2003 Sakai et al.
D406,408	S	3/1999 Rivera	6,618,946	B2	9/2003 Seraphin
D406,509	S	3/1999 Rivera	6,618,947	B1	9/2003 Gardiner et al.
D407,002	S	3/1999 Morton	D480,492	S	10/2003 Wu
D407,003	S	3/1999 Macowski	6,651,344	B2	11/2003 Cheng
D407,004	S	3/1999 Hull	D484,770	S	1/2004 Greent
5,887,347	A	3/1999 Gibbs	6,675,484	B2	1/2004 McHenry et al.
D407,622	S	4/1999 Rivera	6,684,510	B1	2/2004 Collins
D408,257	S	4/1999 Elishewitz	6,711,820	B2	3/2004 Chen
D408,705	S	4/1999 Elishewitz	D496,846	S	10/2004 Rivera et al.
D408,706	S	4/1999 Elishewitz	D496,847	S	10/2004 Rivera et al.
5,896,665	A	4/1999 Harris	D497,094	S	10/2004 Rivera et al.
D410,828	S	6/1999 Rivera	D497,095	S	10/2004 Rivera et al.
D414,097	S	9/1999 Berg et al.	D497,096	S	10/2004 Rivera et al.
D414,393	S	9/1999 Berg et al.	D497,791	S	11/2004 Rivera et al.
5,964,036	A	10/1999 Centofante	D501,127	S	1/2005 Rivera et al.
5,978,993	A	11/1999 Rivera	2001/0016987	A1	8/2001 Chen
5,979,059	A	11/1999 Leatherman et al.	2002/0029426	A1	3/2002 Seber et al.
5,983,686	A	11/1999 Lee	2004/0020057	A1	2/2004 Hughes
			2004/0020058	A1	2/2004 Vallotton

2004/0064953 A1 4/2004 Cheng
2004/0078981 A1 4/2004 Cheng
2004/0088865 A1 5/2004 Onion

OTHER PUBLICATIONS

CRKT, M16 Folding Knife, photocopy of photos taken of product, on sale at least as early as Jun. 2004.

Buck Knives, "Rush" Assisted Opening Folding Knife, photocopy of photos taken of product, on sale at least as early as Jun. 2004.

COLT, "Cobra" CT-49 Folding Knife, photocopy of photos taken of product, on sale at least as early as Jun. 2004.

Buck Knives, 437GRX Knife and Carrying Loop with Spring Gate, photocopy of photos posted on website, on sale at least as early as Aug. 20, 2004.

Buck Knives, 760BKX Knife with Carrying Loop with Spring Gate, photocopy of photos posted on website, on sale at least as early as Aug. 20, 2004.

Buck Knives, "Metro" Folding Knife, photocopies of photos taken of product, on sale at least as early as Aug. 2004.

Buck Knives, "Approach" Folding Knife, photocopies of photos taken of product, on sale at least as early as Aug. 2004.

SCHRADE, SS1, Small Folding Knife with Hook and Flat Spring Gate Hook Closure, photocopies of photos taken of product, on sale at least as early as Aug. 2004.

KERSHAW, "National Geographic" Combination Carabiner and Multipurpose Tool, photocopies of photos taken of product, on sale at least as early as Aug. 2004.

SPYDERCO, Lock Back Folding Knife with Wire Spring Gate-Hook, photocopies of photos taken of product, on sale at least as early as Aug. 2004.

* cited by examiner

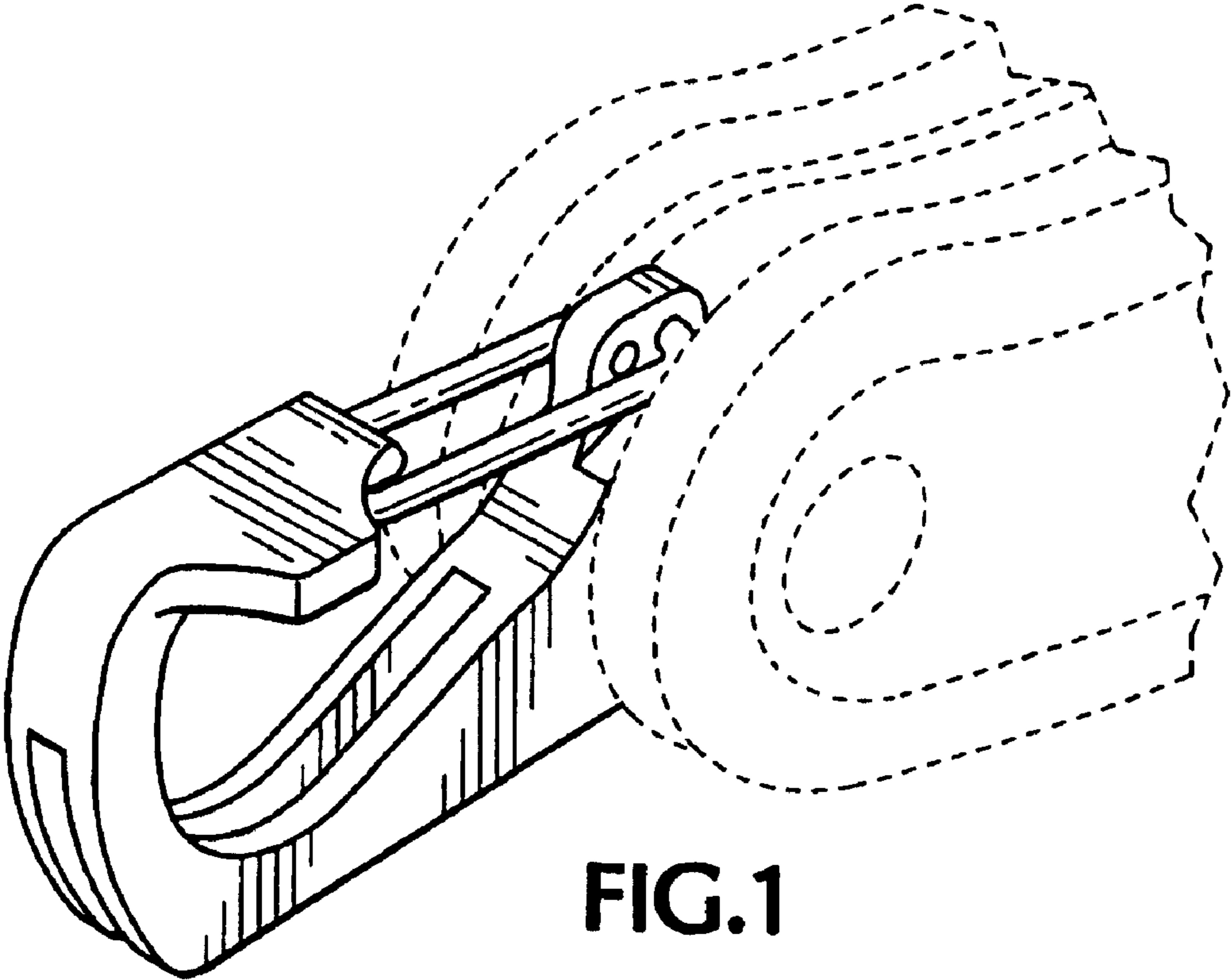


FIG. 1

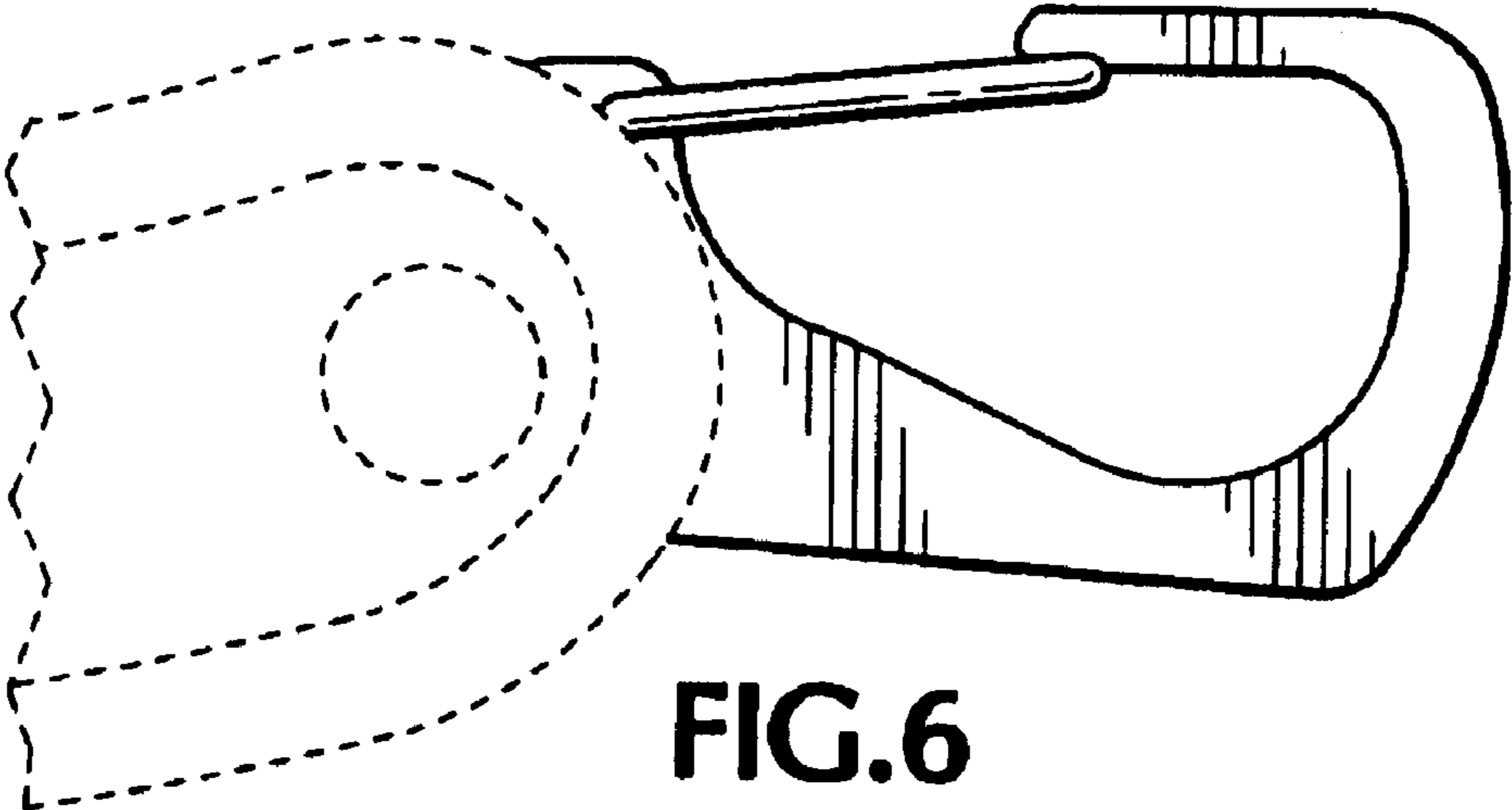


FIG. 6

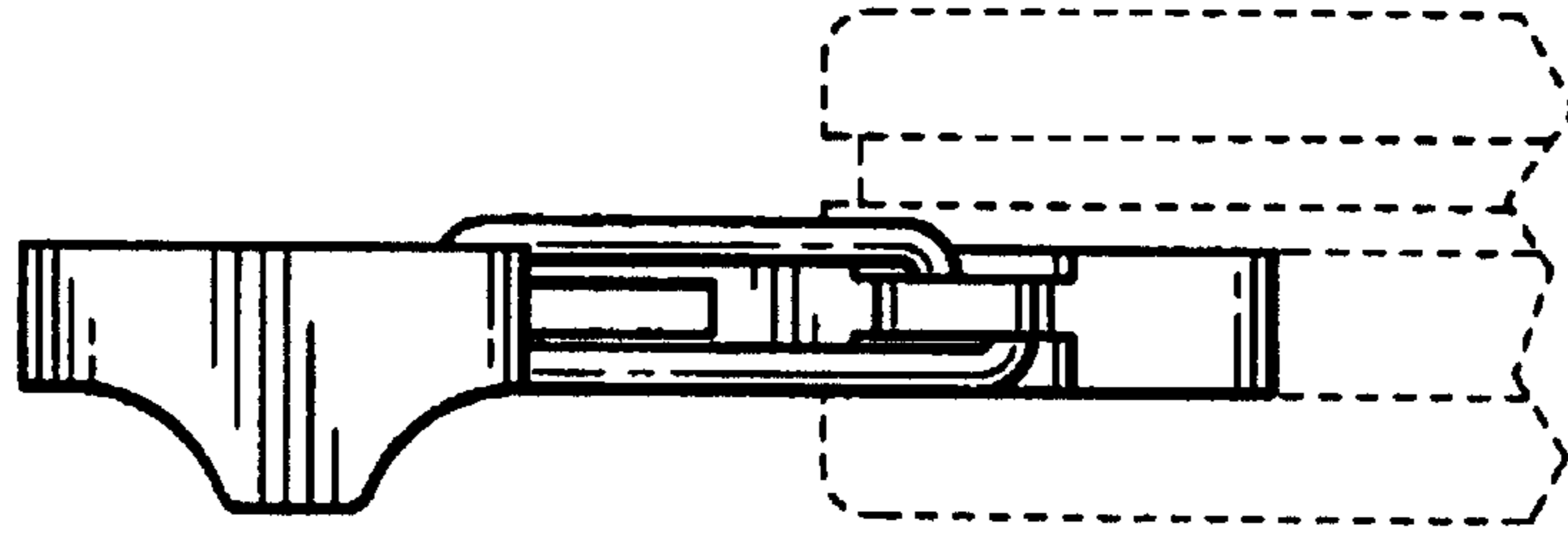


FIG. 3

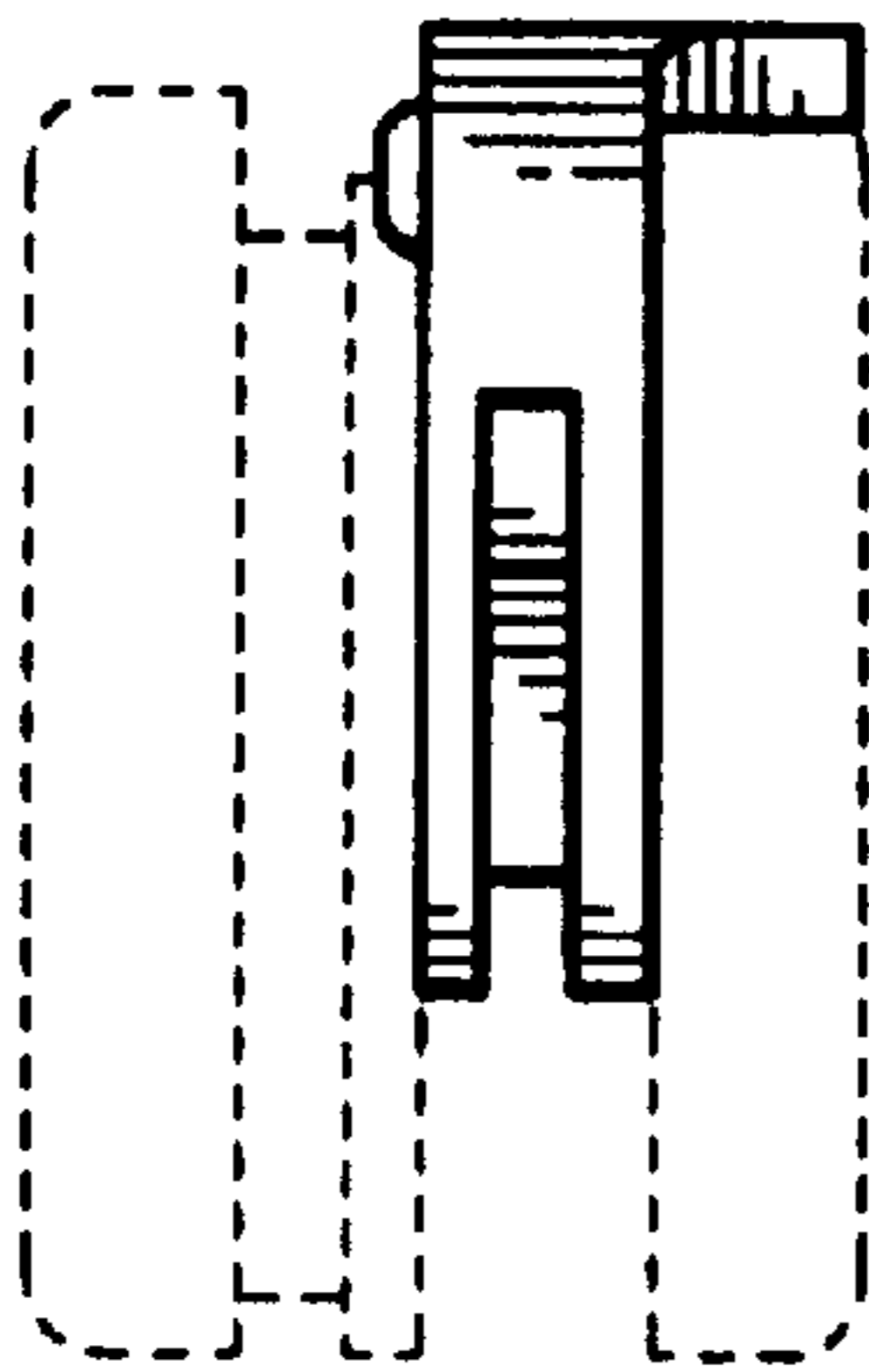


FIG. 5

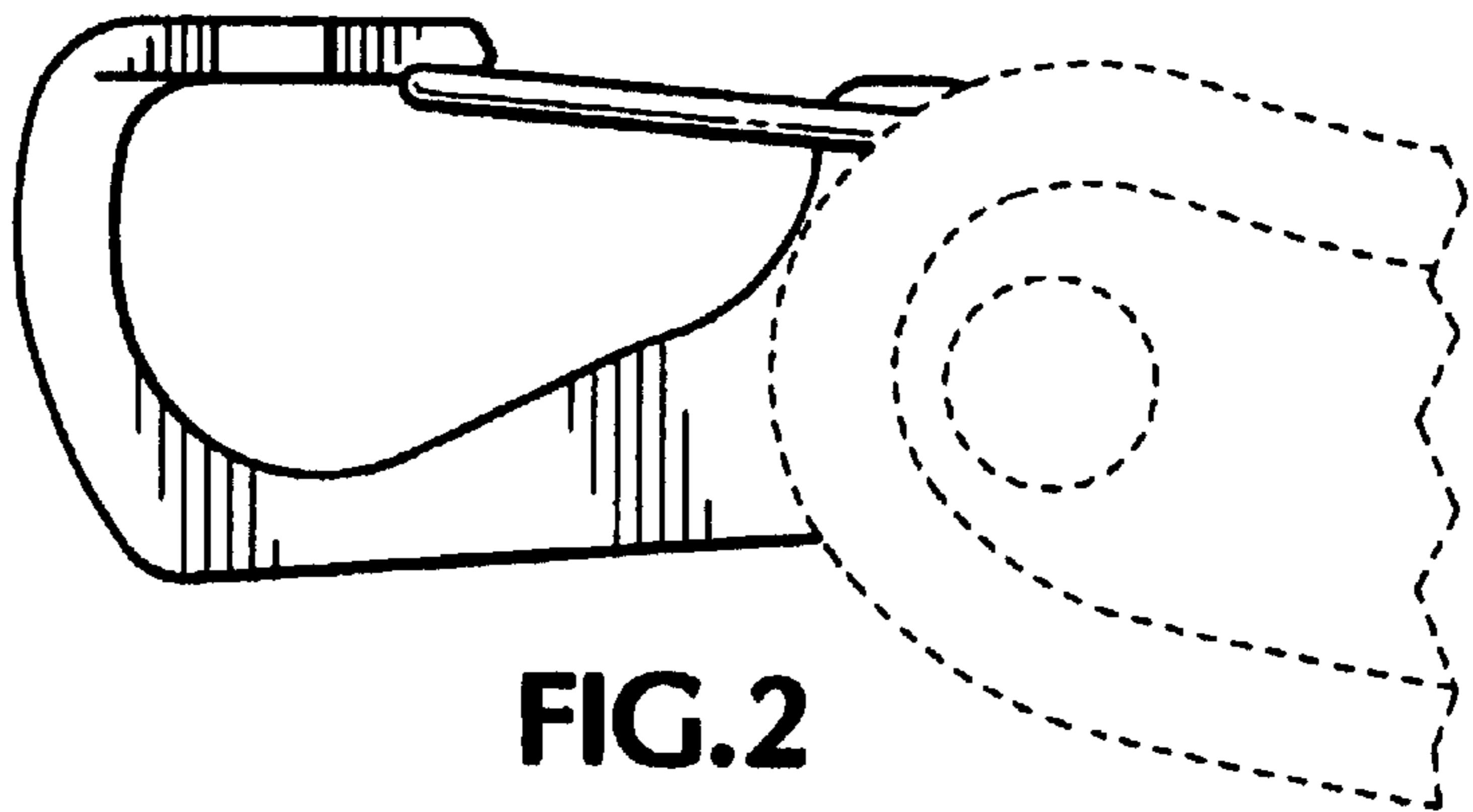


FIG. 2

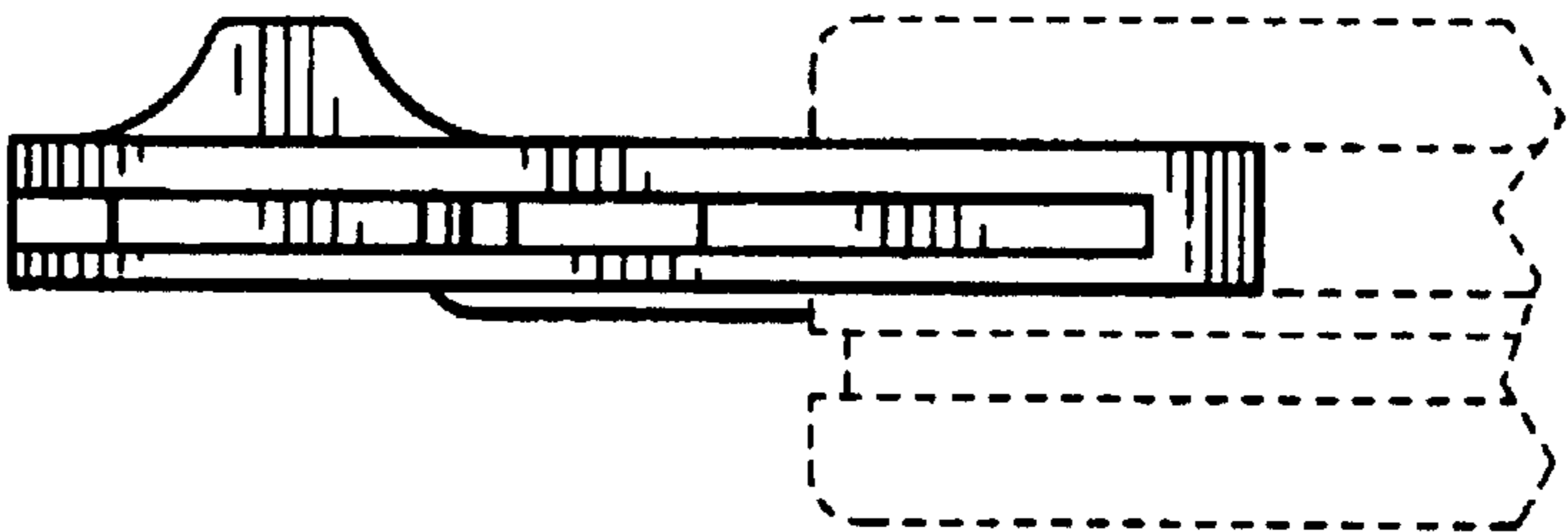


FIG. 4