



US00D538137S

(12) **United States Design Patent**
Dukes

(10) **Patent No.:** **US D538,137 S**
(45) **Date of Patent:** **** Mar. 13, 2007**

(54) **CABLE SUPPORT**

(75) Inventor: **Joseph Allen Dukes**, Sugar Hill, GA
(US)

(73) Assignee: **Panduit Corp.**, Tinley Park, IL (US)

(**) Term: **14 Years**

(21) Appl. No.: **29/231,830**

(22) Filed: **Jun. 10, 2005**

(51) **LOC (8) Cl.** **08-05**

(52) **U.S. Cl.** **D8/356; D8/367; D8/373**

(58) **Field of Classification Search** D8/356,
D8/367, 373; 248/214–215, 301, 304, 74.1–74.4,
248/65

See application file for complete search history.

(56) **References Cited**

U.S. PATENT DOCUMENTS

| | | | |
|-------------|-----------|-----------------|--------------|
| 799,092 A | 9/1905 | Rosenfeld | |
| 806,192 A | 12/1905 | Russell | |
| 887,272 A | 5/1908 | Robinson | |
| 1,132,999 A | 3/1915 | Beers | |
| 2,285,632 A | 6/1942 | Urbain | |
| 3,506,227 A | 4/1970 | Jenkins | |
| 4,039,131 A | 8/1977 | Perrault et al. | |
| D247,216 S | * 2/1978 | Mathews | D8/356 |
| 4,709,888 A | 12/1987 | Cubit et al. | |
| D364,335 S | * 11/1995 | Mesna et al. | D8/367 |
| 5,740,994 A | 4/1998 | Laughlin | |
| 5,782,447 A | 7/1998 | Hoffend | |
| 5,961,081 A | 10/1999 | Rinderer | |
| 5,964,434 A | 10/1999 | Lynch, Jr. | |

| | | | |
|-------------------|---------|---------------------|--------------|
| 5,988,570 A | 11/1999 | Gretz | |
| 6,086,030 A | 7/2000 | Hepworth | |
| 6,311,851 B1 | 11/2001 | Knudsen, Sr. et al. | |
| 6,313,406 B1 | 11/2001 | Gretz | |
| 6,332,594 B2 | 12/2001 | Shelton et al. | |
| 6,565,048 B1 * | 5/2003 | Meyer | 248/58 |
| 6,629,676 B1 * | 10/2003 | Gretz | 248/58 |
| 2001/0002689 A1 * | 6/2001 | Shelton et al. | 248/65 |
| 2004/0113024 A1 | 6/2004 | Caveney et al. | |

* cited by examiner

Primary Examiner—Holly H. Baynham

(74) *Attorney, Agent, or Firm*—Robert A. McCann;
Christopher S. Clancy

(57) **CLAIM**

The ornamental design for a cable support, as shown and described.

DESCRIPTION

FIG. 1 is a top right front perspective view of a cable support showing my new design;

FIG. 2 is a top left rear perspective view thereof;

FIG. 3 is a bottom left rear perspective view thereof;

FIG. 4 is a right side view, with the left side view a mirror image thereof;

FIG. 5 is a front view thereof;

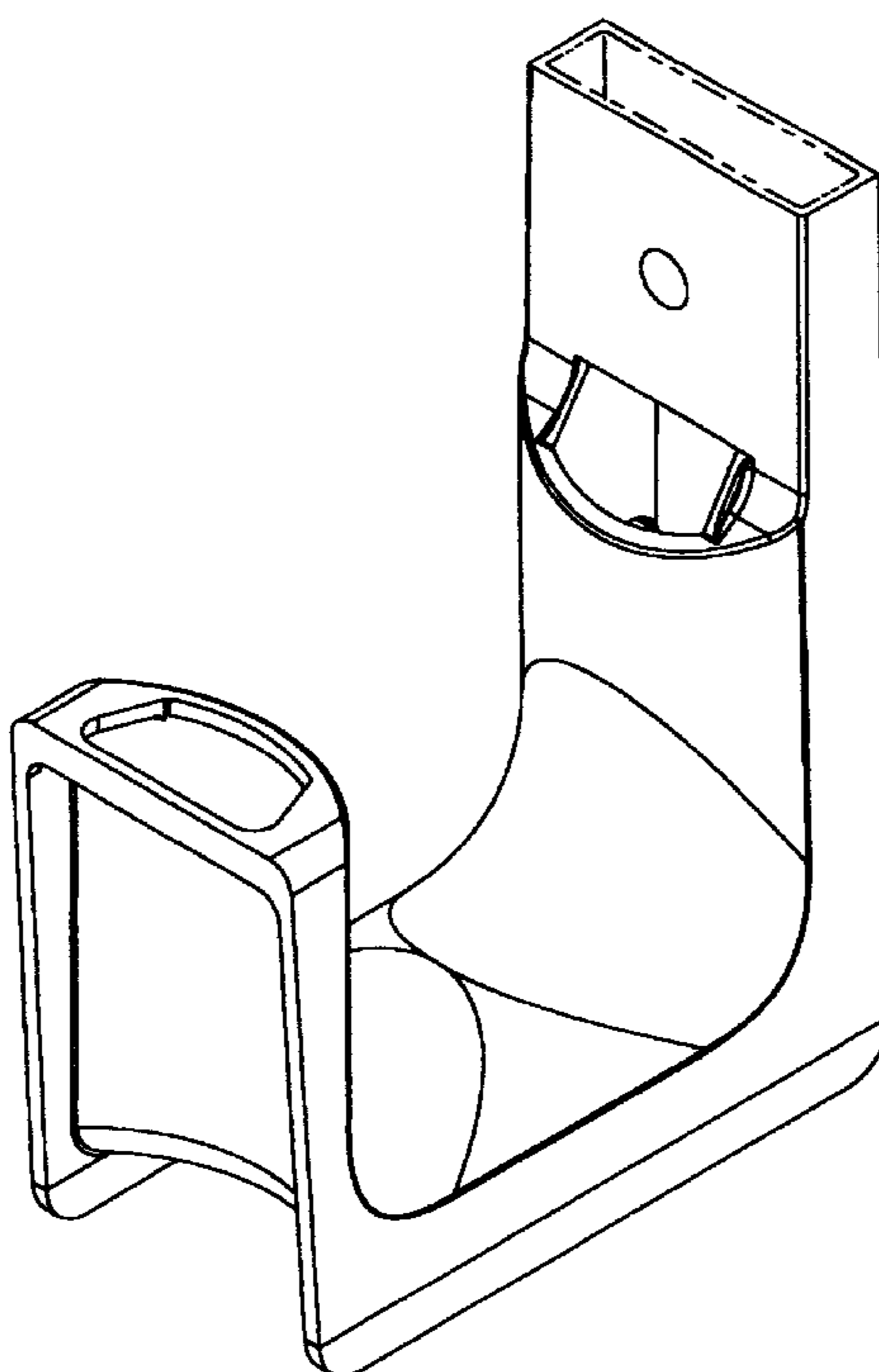
FIG. 6 is a rear view thereof;

FIG. 7 is a top view thereof; and,

FIG. 8 is a bottom view thereof.

The broken line showing of environmental structure is for illustrative purposes only and forms no part of the claimed design.

1 Claim, 4 Drawing Sheets



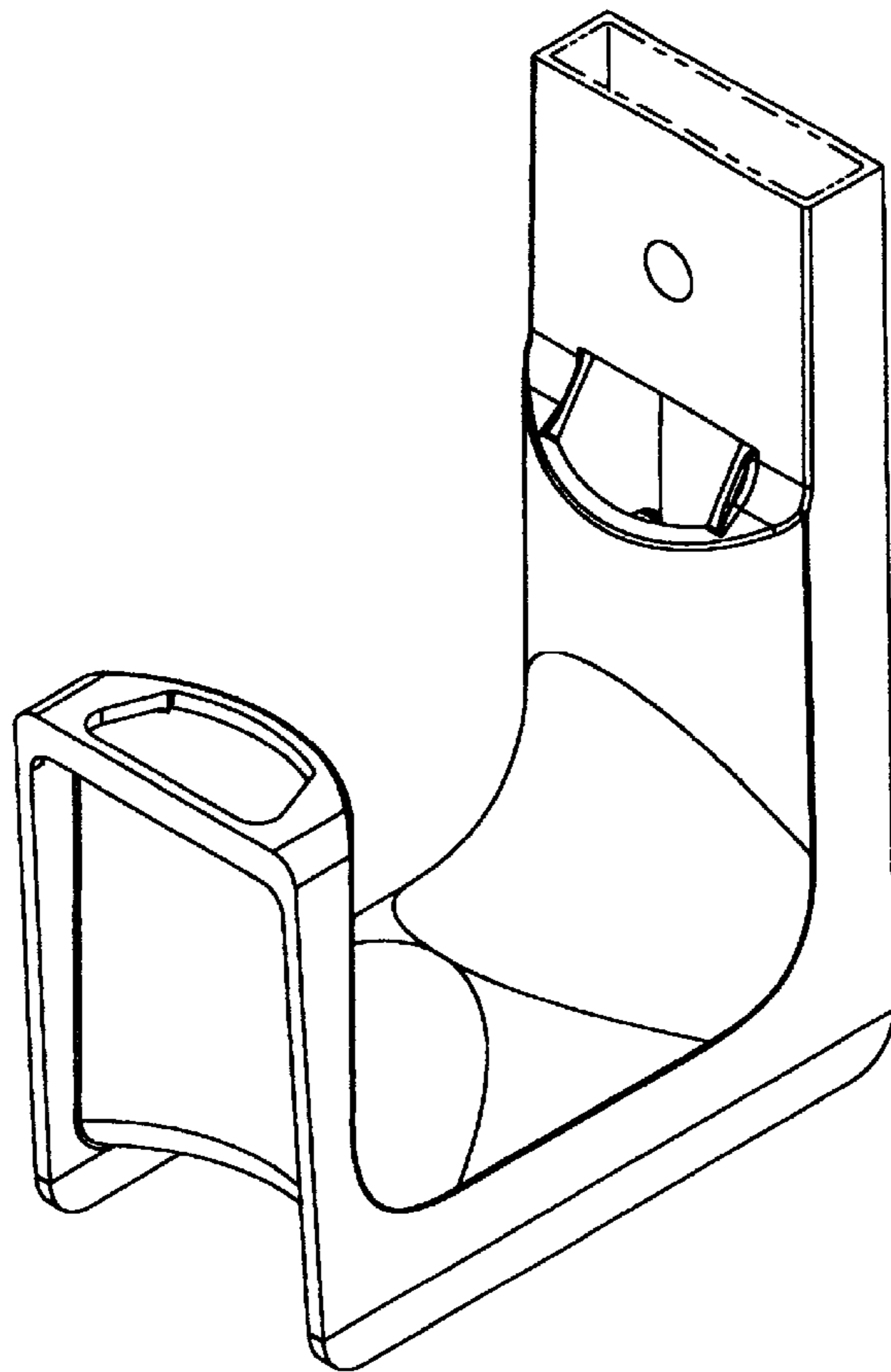


FIG. 1

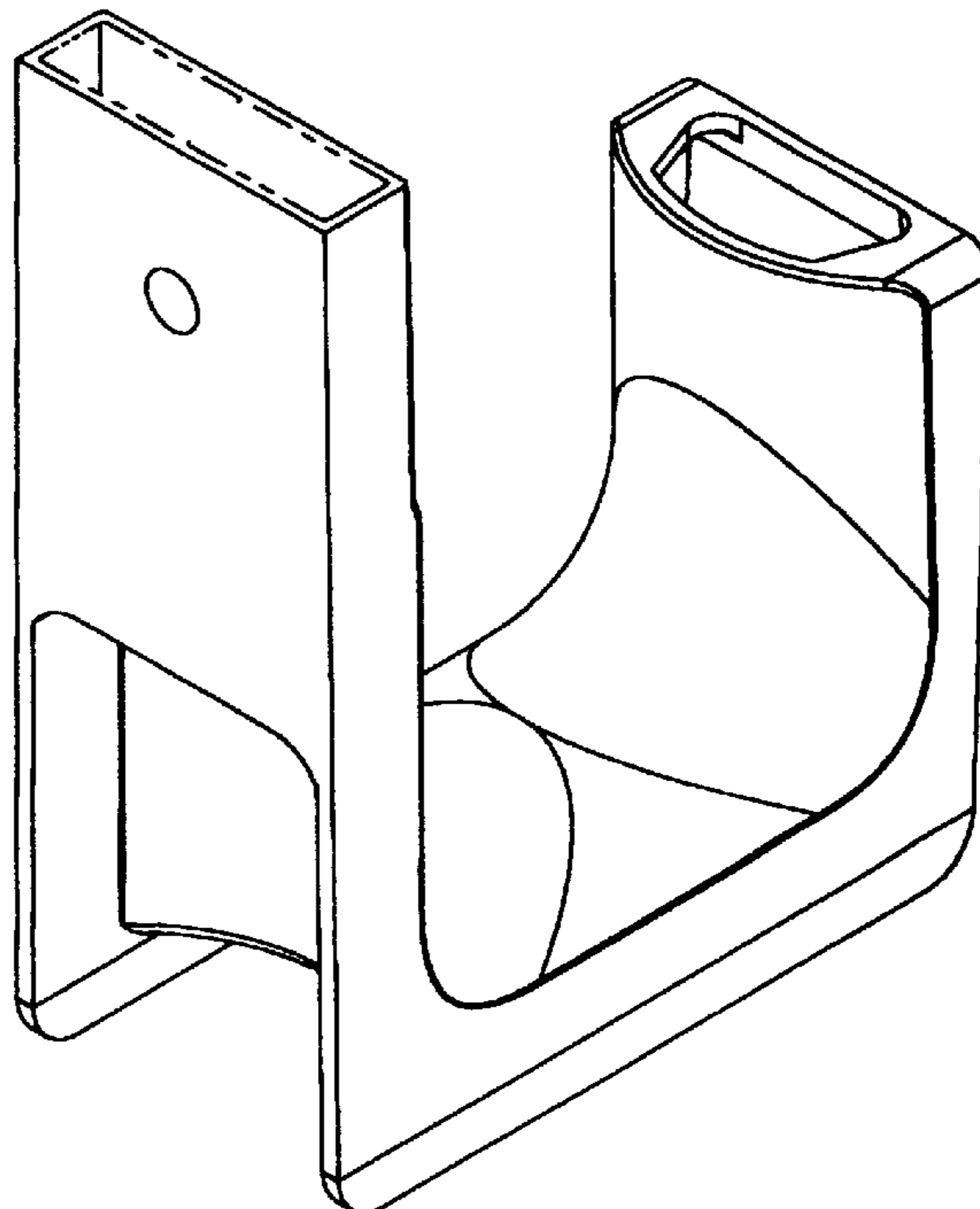


FIG. 2

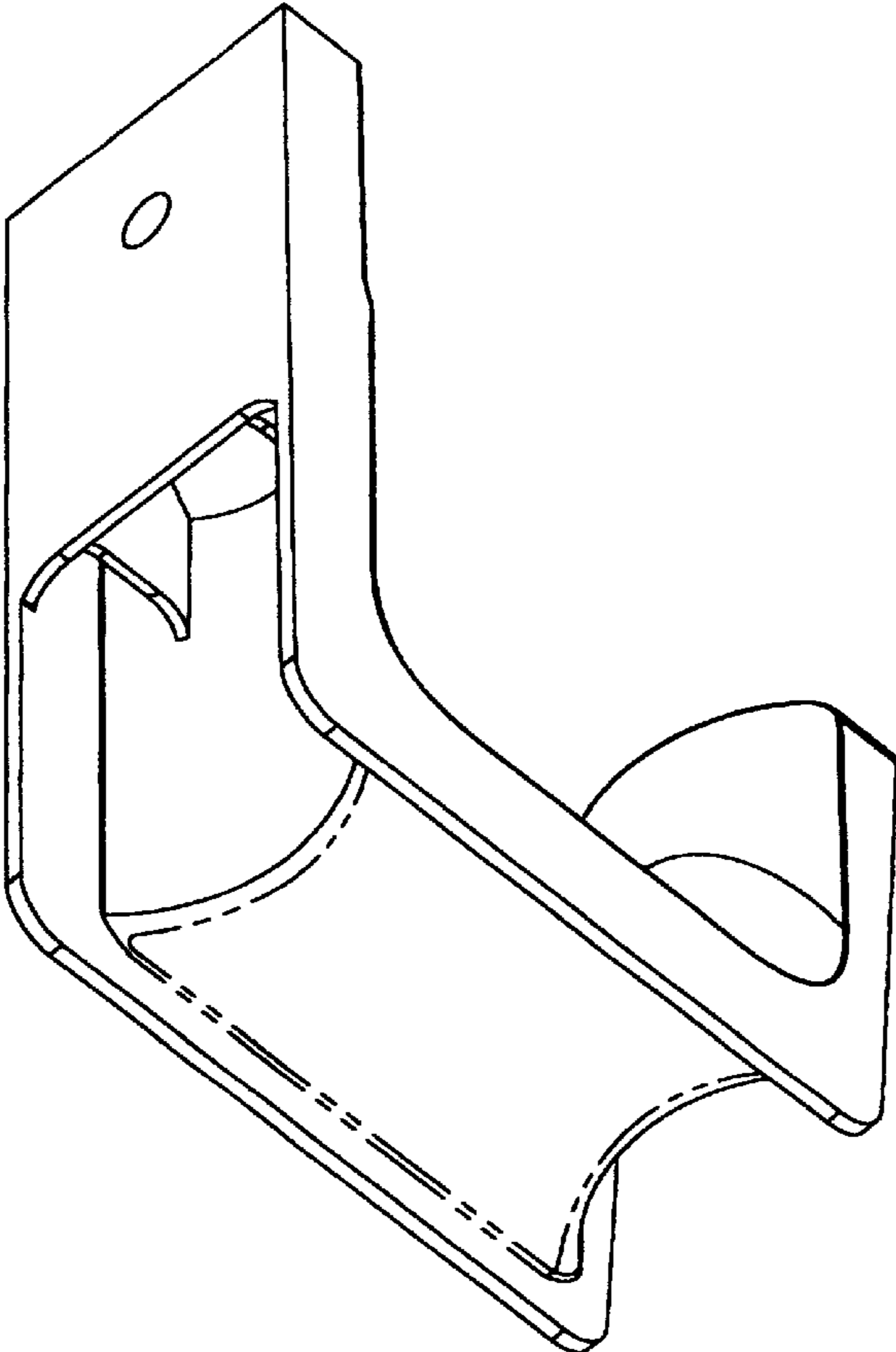


FIG.3

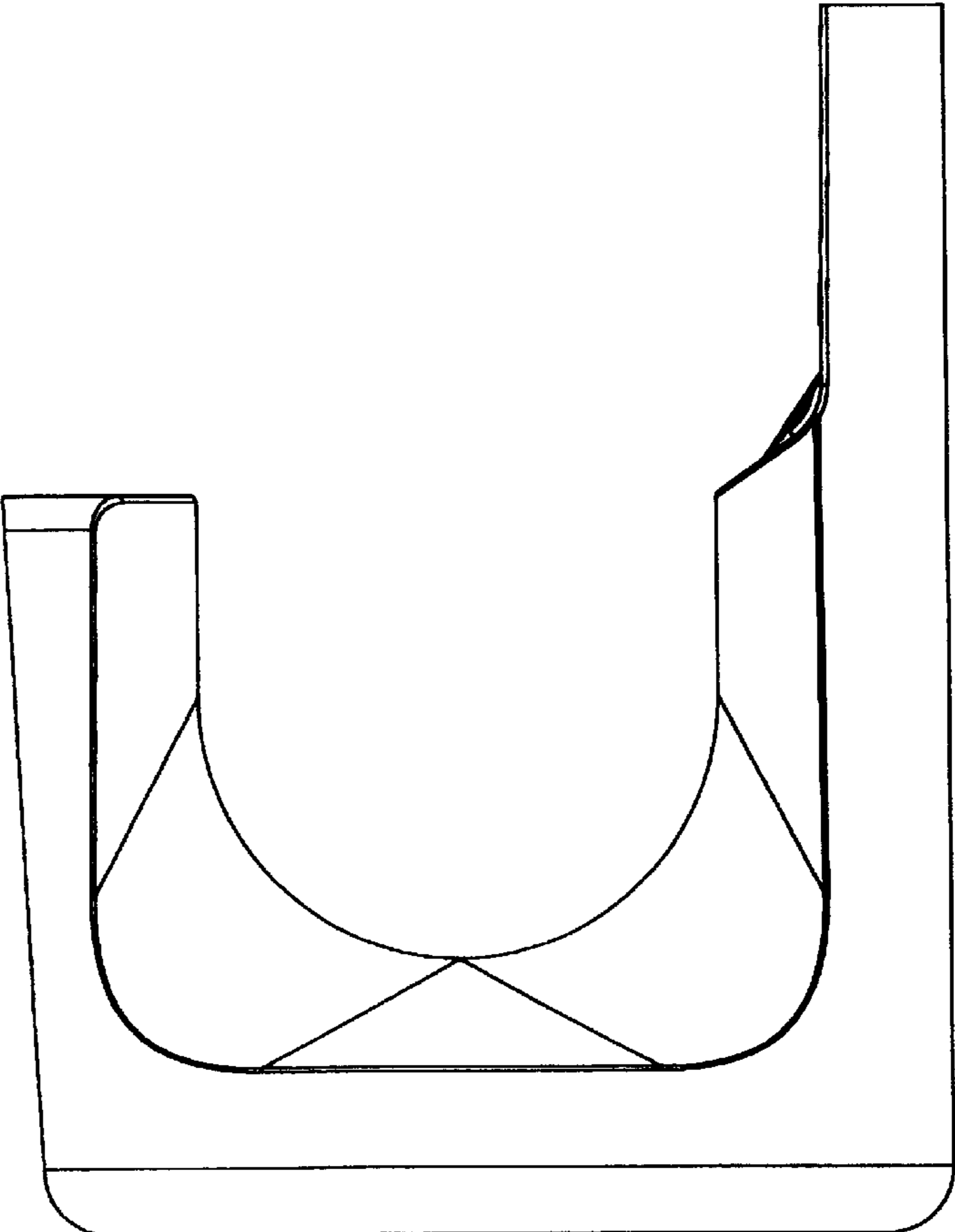


FIG.4

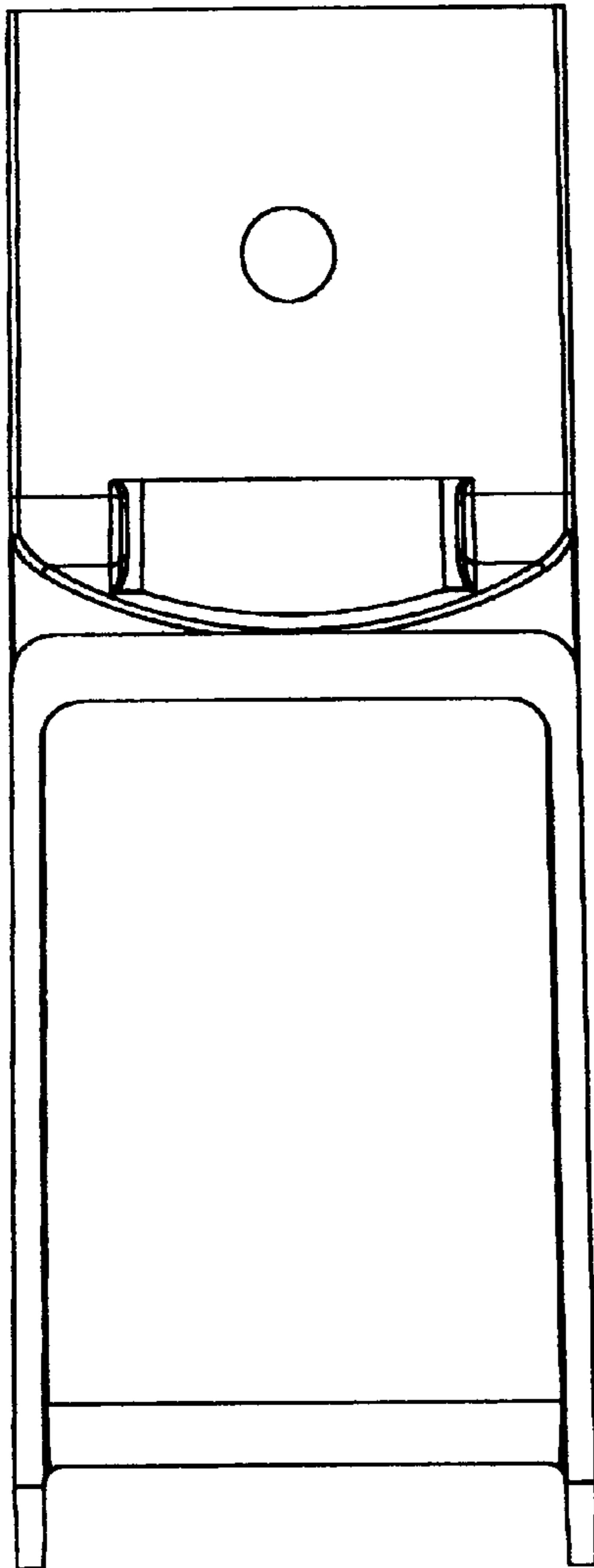


FIG. 5

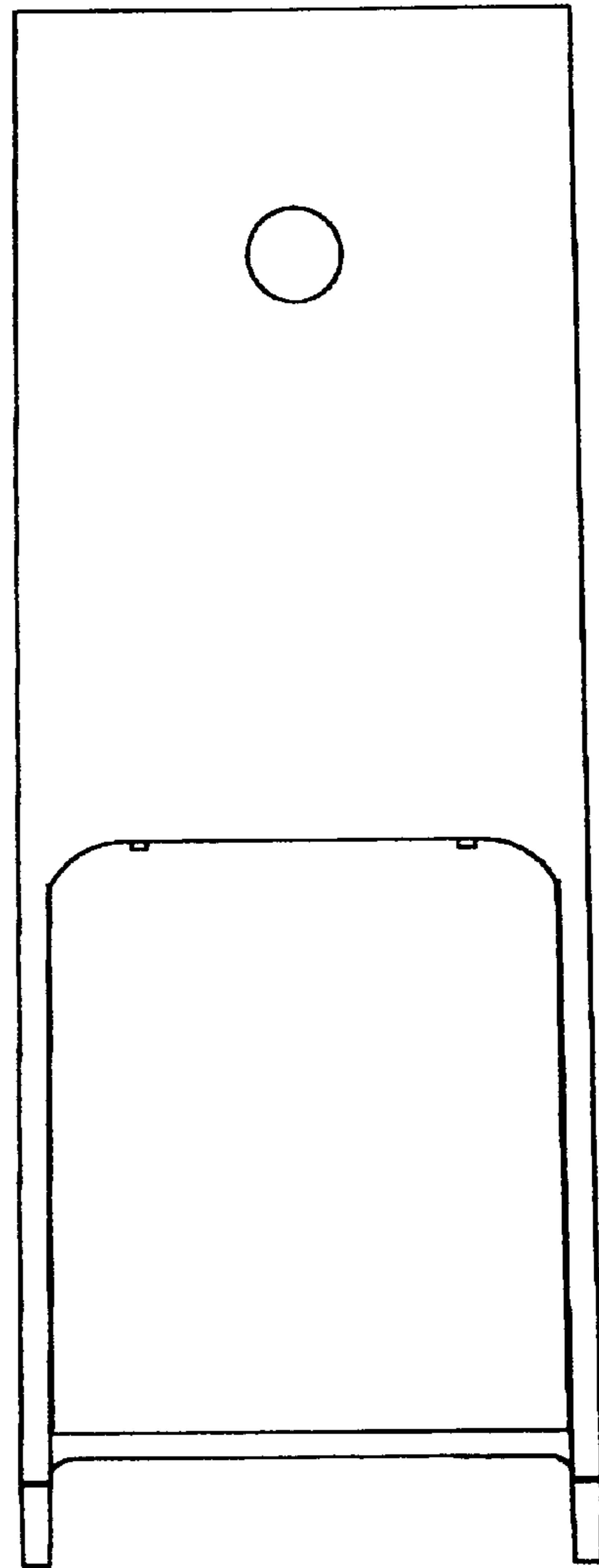


FIG. 6

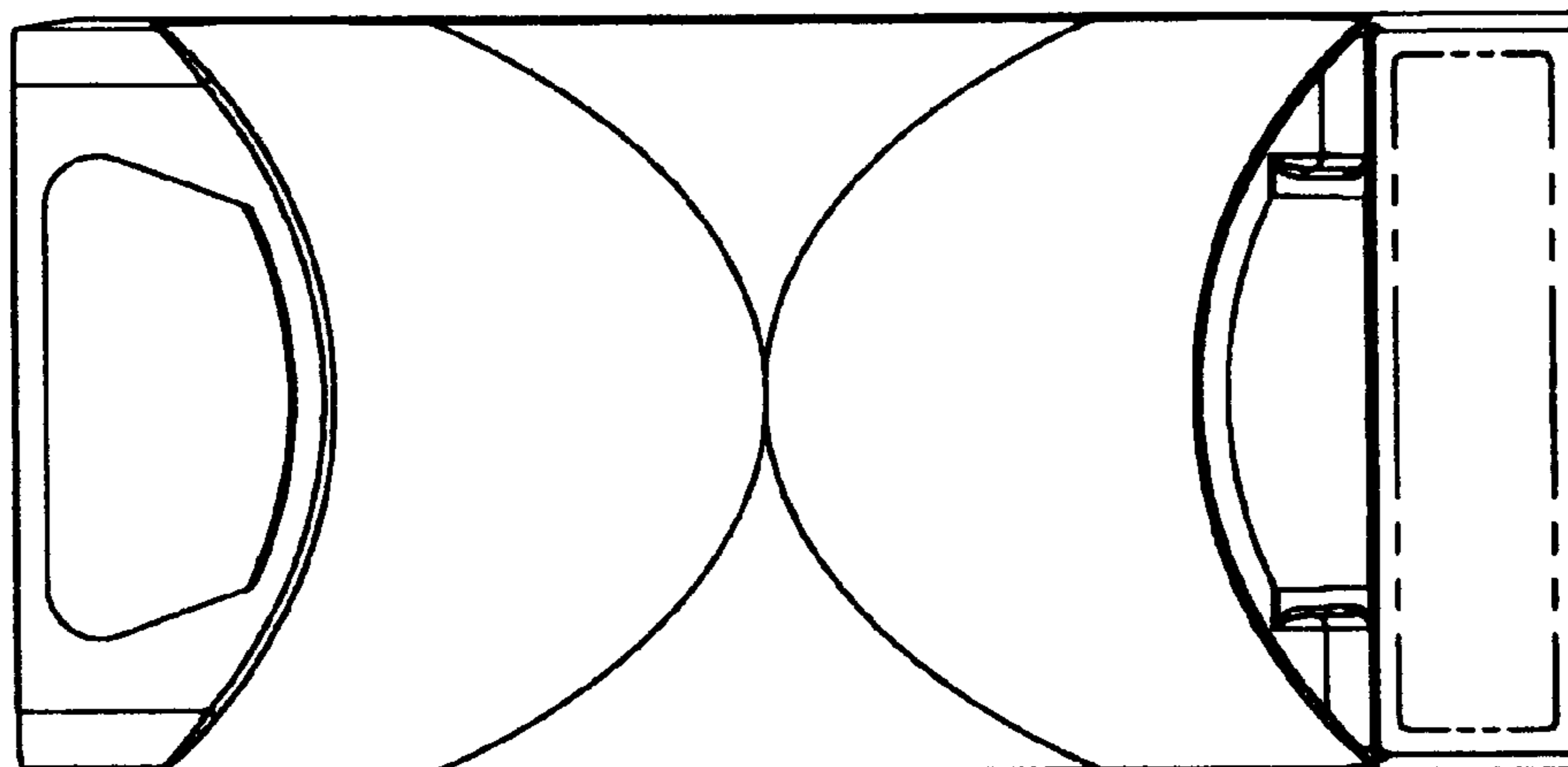


FIG. 7

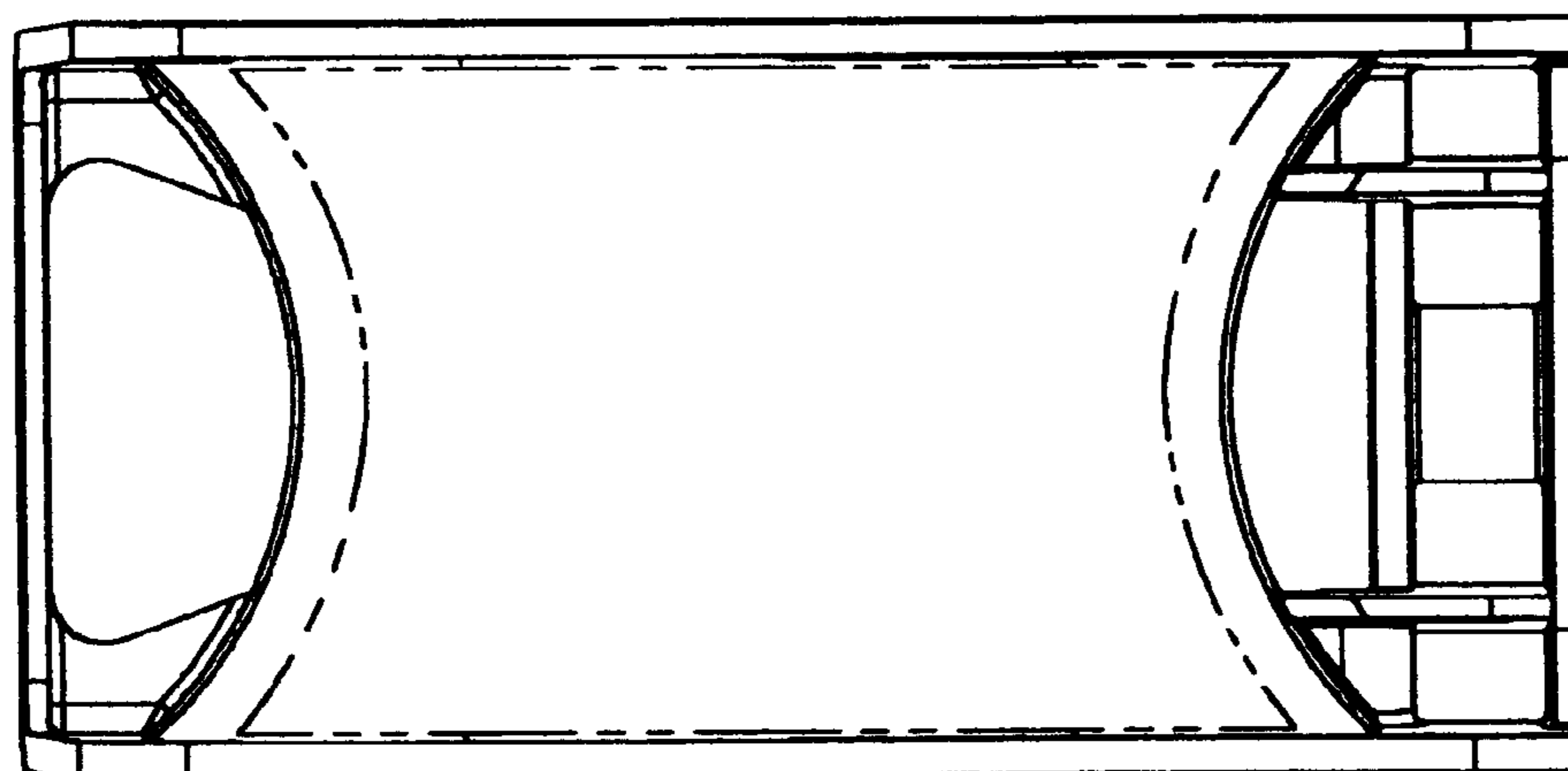


FIG. 8