

US00D538133S

(12) **United States Design Patent**  
**Richardson et al.**

(10) **Patent No.: US D538,133 S**  
(45) **Date of Patent: \*\* Mar. 13, 2007**

(54) **LOCK MECHANISM HOUSING OF A  
TELESCOPIC EXTENSION POLE**

6,142,698 A \* 11/2000 Nutter ..... 403/109.1  
D452,777 S 1/2002 Newman et al.

(75) Inventors: **William Daniel Richardson,**  
Greenwood, MO (US); **Dwight Poole,**  
Harrisonville, MO (US)

(Continued)

(73) Assignee: **Specialty Products of Greenwood,  
Missouri, Inc.,** Greenwood, MO (US)

**OTHER PUBLICATIONS**

(\*\*) Term: **14 Years**

Photos of prior art pole sold under the name of Exelens  
Quick lock.

*Primary Examiner*—Prabhakar Deshmukh

(74) *Attorney, Agent, or Firm*—Hovey Williams LLP

(21) Appl. No.: **29/223,962**

(57) **CLAIM**

(22) Filed: **Feb. 23, 2005**

The ornamental design for a lock mechanism housing of a  
telescopic extension pole, as shown and described.

(51) **LOC (8) Cl.** ..... **08-07**

(52) **U.S. Cl.** ..... **D8/339; D8/382**

(58) **Field of Classification Search** ..... D8/330,  
D8/331, 341, 342, 343, 339, 382; 70/19,  
70/51, 52, 58, 141, 164, 165; 292/256, 262,  
292/288, 305, 306; 403/83, 85, 326, 109.1,  
403/328, 109.8; 15/144.4, 144.3; D4/139,  
D4/199

**DESCRIPTION**

See application file for complete search history.

FIG. 1 is a perspective view of a lock mechanism housing  
of a telescopic extension pole embodying our design;  
FIG. 2 is a fragmentary, enlarged perspective view of the  
extension pole depicted in FIG. 1, particularly illustrating  
the lock mechanism housing of a telescopic extension pole;  
FIG. 3 is a fragmentary, enlarged perspective view of the  
extension pole opposite that depicted in FIG. 2;  
FIG. 4 is a side elevation view of the lock mechanism  
housing of a telescopic extension pole depicted in FIG. 1;  
FIG. 5 is a side elevation view of the lock mechanism  
housing of a telescopic extension pole depicted in FIG. 1,  
but at a viewing angle that is perpendicular to that of FIG.  
4;  
FIG. 6 is a side elevation view of the lock mechanism  
housing of a telescopic extension pole opposite that depicted  
in FIG. 4;  
FIG. 7 is a side elevation view of the lock mechanism  
housing of a telescopic extension pole opposite that depicted  
in FIG. 5;  
FIG. 8 is an elevation view of the proximal end of the  
extension pole depicted in FIG. 1; and,  
FIG. 9 is an elevation view of the distal end of the extension  
pole depicted in FIG. 1.

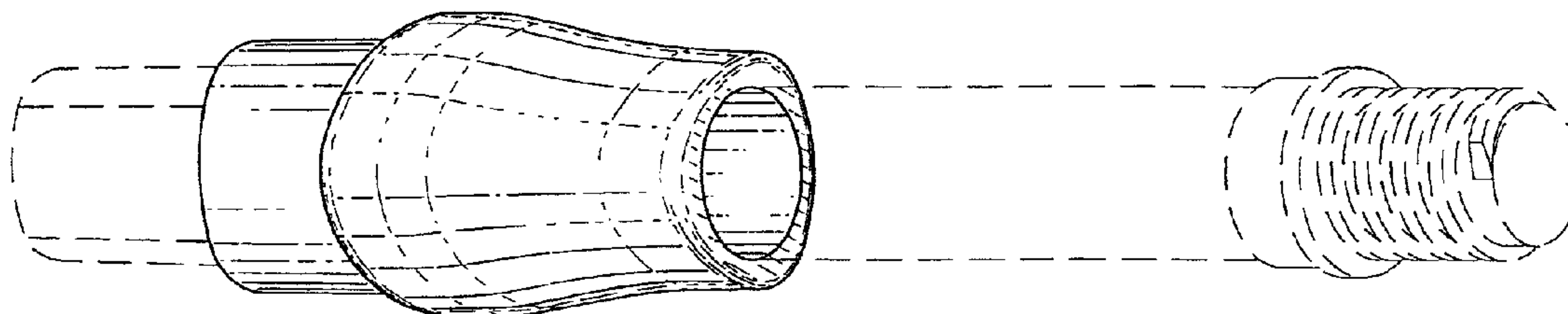
(56) **References Cited**

**U.S. PATENT DOCUMENTS**

2,991,096 A	*	7/1961	Davidson	.....	403/365
3,615,114 A	*	10/1971	Harris	.....	292/288
4,419,026 A	*	12/1983	Leto	.....	403/104
D310,405 S	*	9/1990	Proctor et al.	.....	D23/226
D317,968 S	*	7/1991	Tsai	.....	D23/226
5,099,539 A		3/1992	Forester		
5,220,707 A		6/1993	Newman, Sr. et al.		
5,316,264 A		5/1994	Newman, Sr. et al.		
D351,015 S		9/1994	Caceres et al.		
D354,554 S		1/1995	Newman, Sr. et al.		
5,417,511 A	*	5/1995	Warden	.....	403/109.5
5,460,458 A		10/1995	Caceres		
5,549,407 A	*	8/1996	Levi et al.	.....	403/109.5
5,579,558 A		12/1996	Newman, Jr. et al.		
5,692,856 A		12/1997	Newman, Jr. et al.		
5,743,577 A		4/1998	Newman, Jr. et al.		
5,924,658 A	*	7/1999	Shiery et al.	.....	248/125.8
D430,482 S	*	9/2000	Stout, Jr.	.....	D8/382

The broken lines are for illustrative purpose only and form  
no part of the claimed design.

**1 Claim, 3 Drawing Sheets**



# US D538,133 S

Page 2

---

U.S. PATENT DOCUMENTS						
			D517,904 S *	3/2006	Alkalay .....	D8/382
			D518,365 S *	4/2006	Wamsley .....	D8/382
			2004/0154132 A1	8/2004	Ritrovato et al.	
6,453,777 B1	9/2002	Newman et al.				
6,530,124 B2	3/2003	Newman et al.				
6,532,630 B1	3/2003	Newman et al.				
D486,060 S *	2/2004	Lanz .....	D8/382			* cited by examiner

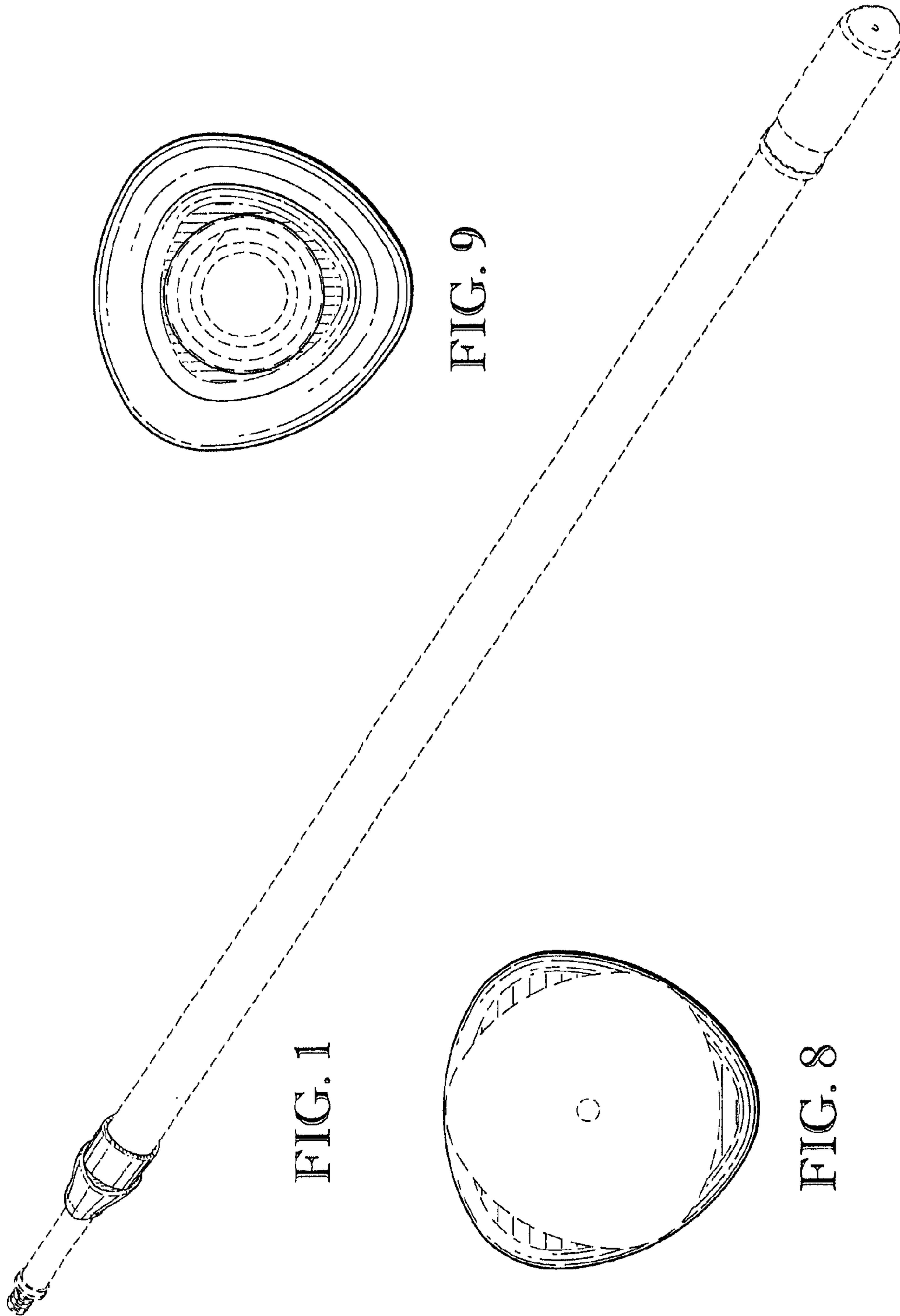


FIG. 1

FIG. 9

FIG. 8

FIG. 10

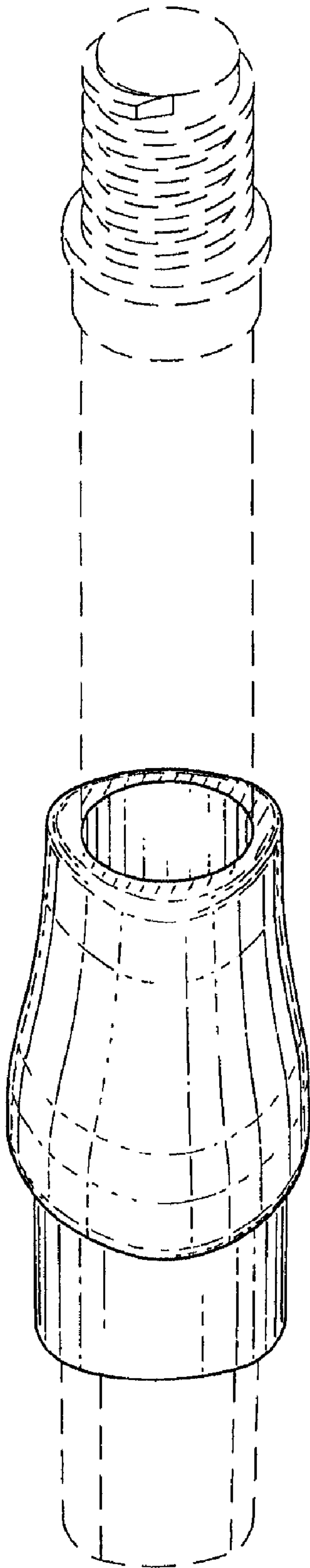


FIG. 2

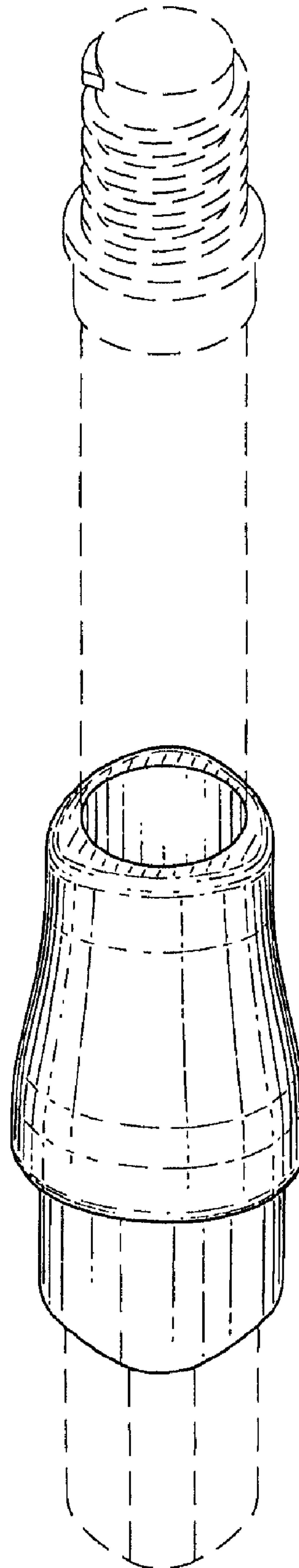


FIG. 3

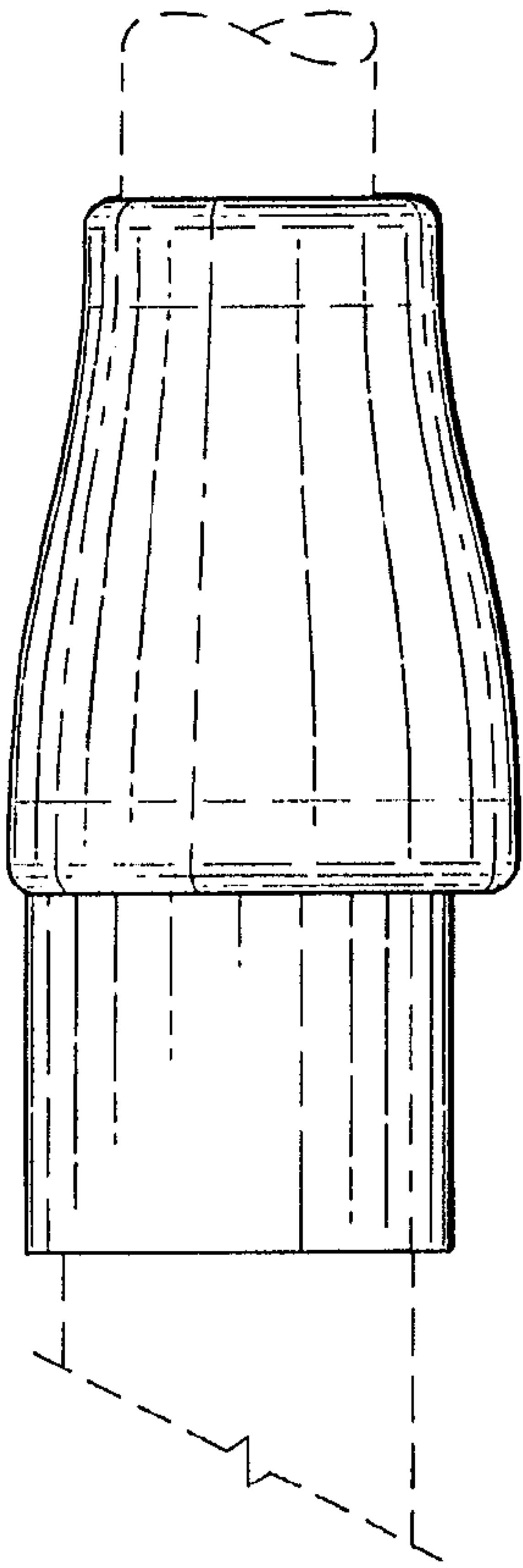


FIG. 6

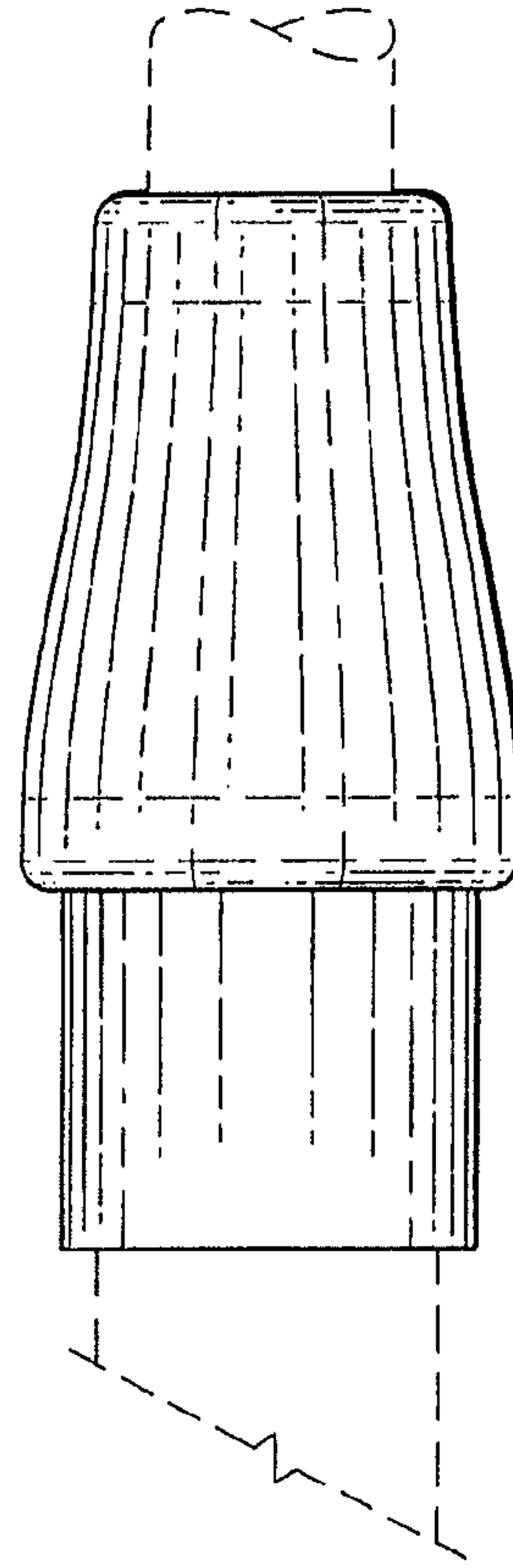


FIG. 7

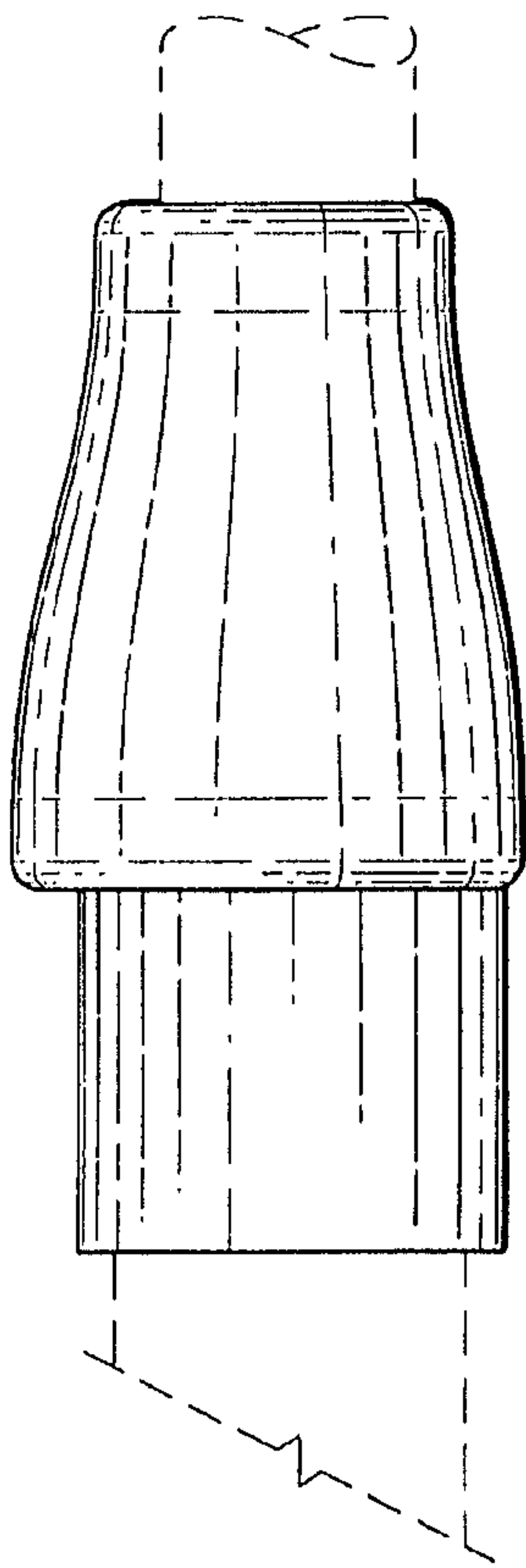


FIG. 4

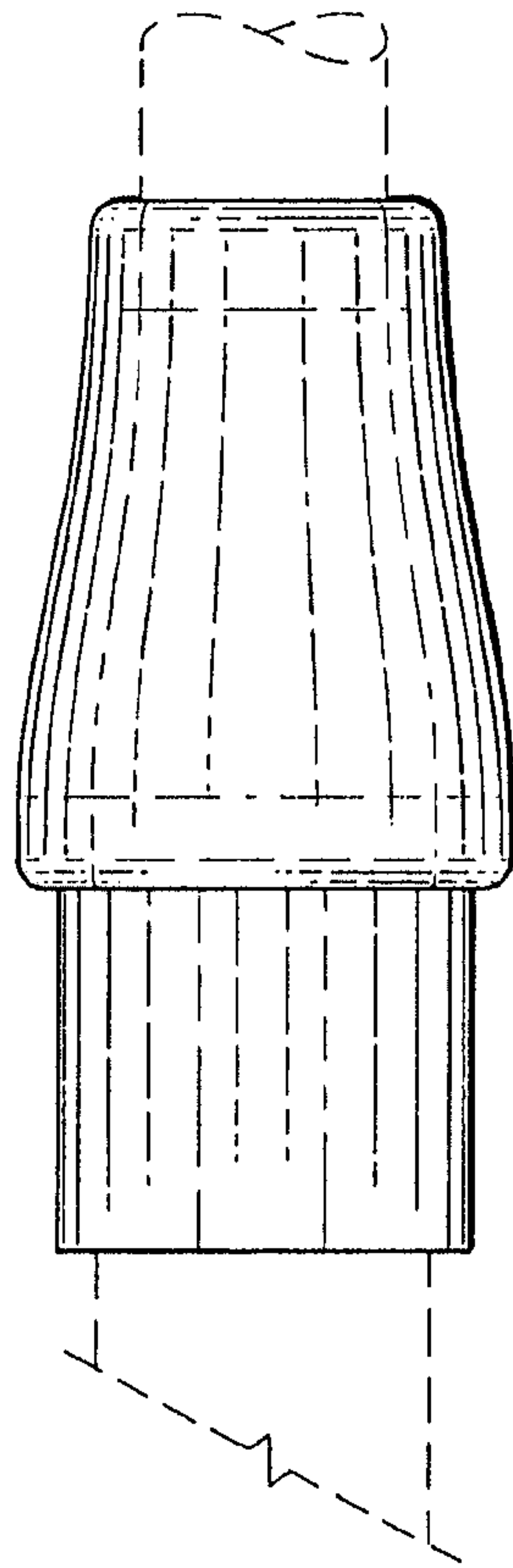


FIG. 5