



US00D538130S

(12) **United States Design Patent**  
**Yale**

(10) **Patent No.:** **US D538,130 S**  
(45) **Date of Patent:** **\*\* Mar. 13, 2007**

- (54) **HANDLE FOR A FOLDING HAND TOOL**
- (75) Inventor: **Melissa C. Yale**, Portland, OR (US)
- (73) Assignee: **Leatherman Tool Group, Inc.**,  
Portland, OR (US)
- (\*\*) Term: **14 Years**
- (21) Appl. No.: **29/220,869**
- (22) Filed: **Jan. 7, 2005**
- (51) **LOC (8) Cl.** ..... **08-05**
- (52) **U.S. Cl.** ..... **D8/107**
- (58) **Field of Classification Search** ..... D8/5,  
D8/14, 51, 52, 55, 98, 99, 105, 107; D3/18;  
7/118, 129, 132, 142, 163, 164, 128; 30/155–162,  
30/164, 254–255, 260, 266, 268  
See application file for complete search history.

- D332,384 S 1/1993 Dague
- 5,212,844 A 5/1993 Sessions et al.
- 5,267,366 A 12/1993 Frazer
- D344,006 S 2/1994 Glesser
- 5,283,920 A 2/1994 Plummer
- D357,166 S 4/1995 Concari
- D364,327 S 11/1995 Graham
- D367,807 S 3/1996 Hung
- D368,634 S 4/1996 Frazer
- 5,511,310 A 4/1996 Sessions et al.
- 5,564,318 A 10/1996 Pail
- D382,190 S 8/1997 Blackston et al.
- D384,872 S 10/1997 Yeh
- D385,168 S 10/1997 Rivera

(Continued)

**FOREIGN PATENT DOCUMENTS**

- EP 0676261 A1 10/1995
- EP 0783937 A2 11/1996
- GB 5375 11/1882
- IT 521555 3/1955

**OTHER PUBLICATIONS**

U.S. Appl. No. 29/209,072, Rivera, et al.

(Continued)

*Primary Examiner*—Alan P. Douglas  
*Assistant Examiner*—Barbara Fox  
(74) *Attorney, Agent, or Firm*—Chernoff, Vilhauer,  
McClung & Stenzel, LLP

(56) **References Cited**

**U.S. PATENT DOCUMENTS**

- 124,566 A 3/1872 Garrick
- 159,134 A 1/1875 Woodward
- 254,404 A 2/1882 Story
- 390,633 A 10/1888 Weck et al.
- 1,046,361 A 12/1912 Wulff
- 1,282,875 A 10/1918 Kupec
- 1,362,143 A 12/1920 Rohrer
- 2,575,652 A 11/1951 Bovee
- 2,824,368 A 2/1958 Bassett
- 2,869,232 A 1/1959 Kivela
- 2,980,996 A 4/1961 Beran
- 3,783,509 A 1/1974 Lake
- 4,238,862 A 12/1980 Leatherman
- 4,364,104 A \* 12/1982 Holahan et al. .... 362/223
- 4,384,499 A 5/1983 Shockley
- D280,179 S 8/1985 Miceli
- 4,555,822 A 12/1985 Miceli
- 4,744,272 A 5/1988 Leatherman
- D304,154 S 10/1989 Osterhout
- 4,882,841 A 11/1989 Margolis
- D319,767 S 9/1991 Sargent
- 5,062,173 A 11/1991 Collins et al.
- 5,142,721 A 9/1992 Sessions et al.

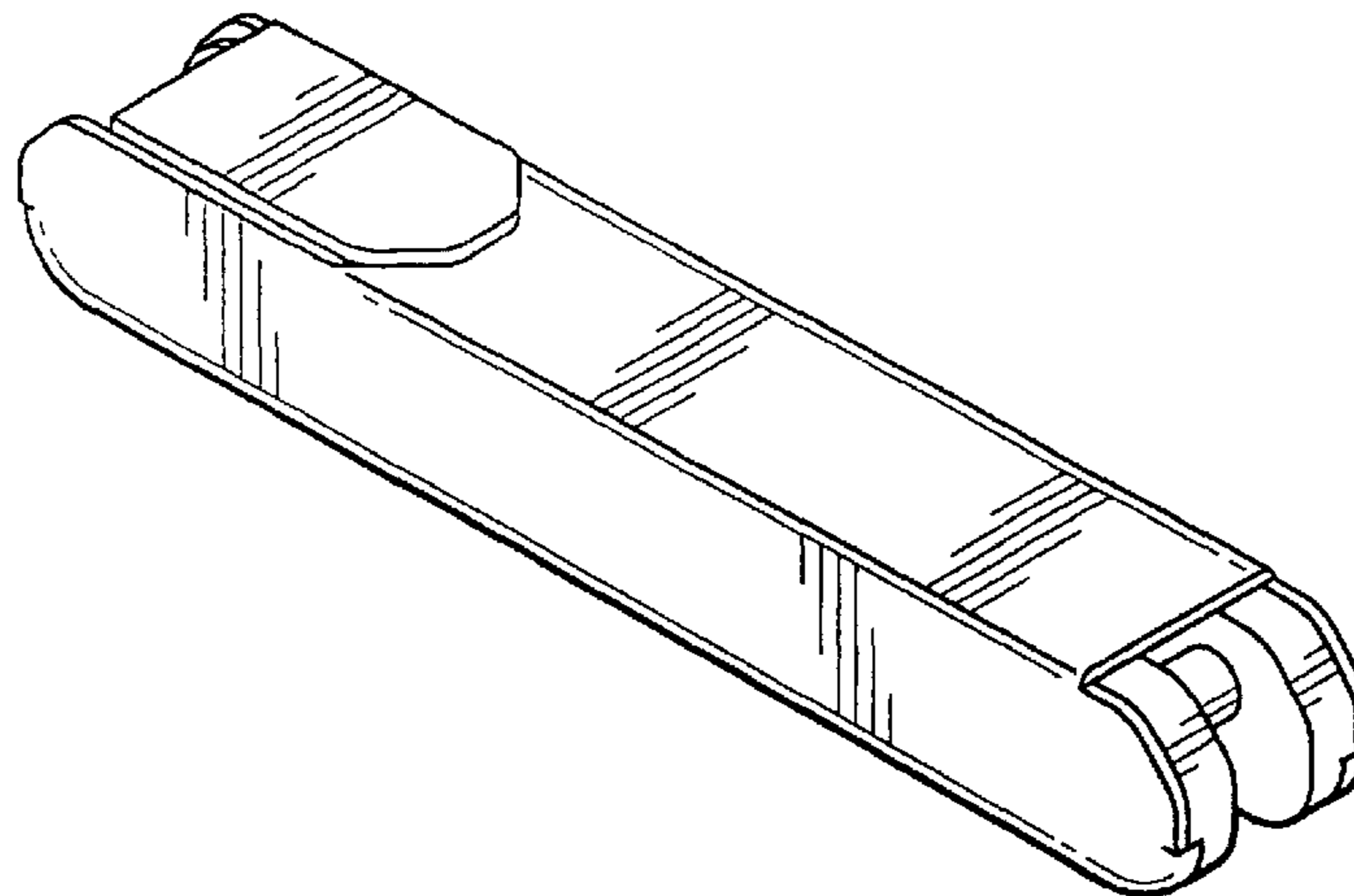
(57) **CLAIM**

The ornamental design for a handle for a folding hand tool,  
as shown and described.

**DESCRIPTION**

FIG. 1. is an isometric view from the upper right front of a  
handle for a folding hand tool, showing my new design;  
FIG. 2. is a top plan view thereof;  
FIG. 3 is a right side elevational view thereof;  
FIG. 4 is a bottom plan view thereof;  
FIG. 5 is a left side elevational view thereof;  
FIG. 6 is a front end elevational view thereof; and,  
FIG. 7 is a rear end elevational view thereof.

**1 Claim, 2 Drawing Sheets**



U.S. PATENT DOCUMENTS

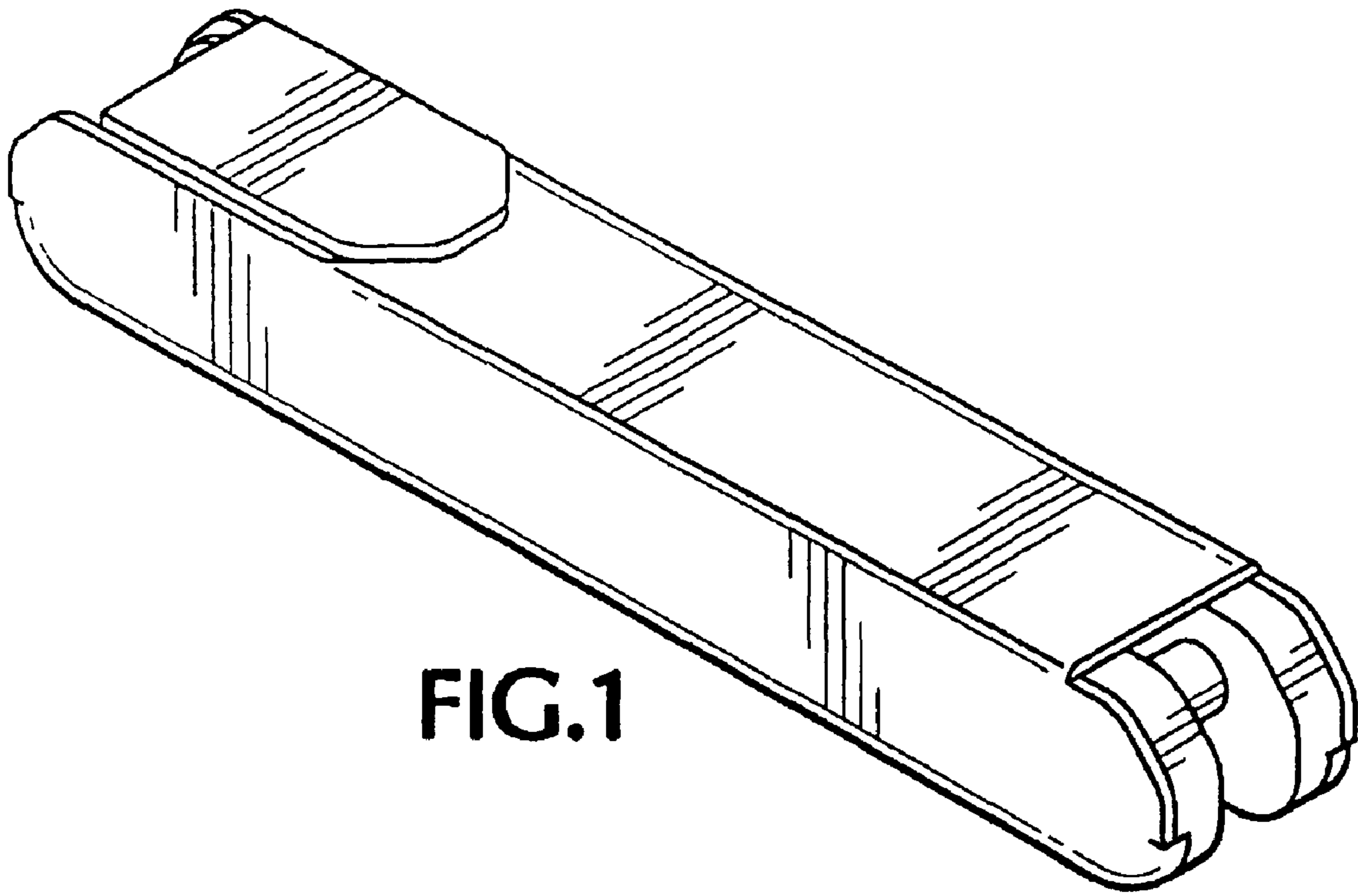
D385,169 S 10/1997 Rivera  
 D385,170 S 10/1997 Rivera  
 5,711,194 A 1/1998 Anderson  
 D392,519 S 3/1998 Hung  
 5,743,582 A 4/1998 Rivera  
 5,745,997 A 5/1998 Berg et al.  
 D398,209 S 9/1998 Rivera  
 D398,213 S 9/1998 Rivera  
 5,809,599 A 9/1998 Frazer  
 D401,133 S 11/1998 Gardiner et al.  
 5,829,329 A 11/1998 Frazer  
 D403,944 S 1/1999 Rivera  
 D405,675 S 2/1999 Rivera  
 D405,676 S 2/1999 Rivera  
 D406,508 S 3/1999 Rivera  
 D406,509 S 3/1999 Rivera  
 D407,004 S 3/1999 Hull et al.  
 D407,622 S 4/1999 Rivera  
 D408,238 S 4/1999 Rivera  
 D411,946 S 7/1999 Yuh  
 D414,092 S 9/1999 Chang  
 D414,387 S 9/1999 Hung  
 5,978,993 A 11/1999 Rivera  
 D417,601 S 12/1999 Rivera  
 6,003,180 A 12/1999 Frazer  
 6,009,582 A 1/2000 Harrison et al.  
 6,014,787 A 1/2000 Rivera  
 D421,377 S 3/2000 Rivera  
 6,047,426 A 4/2000 McIntosh et al.  
 D423,893 S 5/2000 Mackin et al.  
 D426,446 S 6/2000 Chau  
 D426,447 S 6/2000 Chau  
 D427,501 S \* 7/2000 Berg et al. .... D8/105  
 6,092,444 A 7/2000 Hsiao  
 D429,131 S 8/2000 Rivera  
 D429,132 S 8/2000 Rivera  
 D429,616 S 8/2000 Rivera  
 6,128,805 A 10/2000 Rivera  
 D433,902 S 11/2000 Rivera  
 D435,776 S 1/2001 Veltz et al.  
 D436,514 S \* 1/2001 Rivera ..... D8/105  
 6,216,301 B1 4/2001 Rivera  
 6,226,822 B1 5/2001 Chen  
 D445,009 S 7/2001 Rivera  
 D446,708 S 8/2001 Rivera  
 D446,709 S 8/2001 Rivera  
 D447,039 S 8/2001 Rivera

D447,041 S 8/2001 Rivera  
 D447,401 S 9/2001 Rivera  
 6,282,996 B1 9/2001 Berg et al.  
 6,305,041 B1 10/2001 Montague et al.  
 6,318,218 B1 11/2001 Anderson et al.  
 6,389,625 B1 5/2002 Rivera  
 6,408,522 B2 6/2002 Rivera  
 6,427,334 B2 8/2002 Onion  
 D468,987 S 1/2003 Dreyfus et al.  
 6,510,767 B1 1/2003 Rivera  
 D470,031 S \* 2/2003 Rivera ..... D8/107  
 D470,032 S 2/2003 Rivera  
 D470,372 S \* 2/2003 Rivera ..... D8/52  
 D474,085 S \* 5/2003 Rivera ..... D8/58  
 D474,670 S \* 5/2003 Rivera ..... D8/107  
 D479,788 S 9/2003 Ocklenburg  
 6,622,328 B2 9/2003 Rivera  
 6,625,832 B2 9/2003 Montague et al.  
 D494,032 S \* 8/2004 Rivera ..... D8/58  
 D496,846 S 10/2004 Rivera et al.  
 D496,847 S 10/2004 Rivera et al.  
 D497,093 S \* 10/2004 Rivera et al. .... D8/107  
 D497,094 S \* 10/2004 Rivera et al. .... D8/107  
 D497,095 S 10/2004 Rivera et al.  
 D497,096 S 10/2004 Rivera et al.  
 D497,532 S 10/2004 Rivera et al.  
 D497,790 S 11/2004 Rivera et al.  
 D497,791 S 11/2004 Rivera et al.  
 D499,621 S 12/2004 Tsuda  
 D499,622 S 12/2004 Rivera et al.  
 D501,127 S 1/2005 Rivera et al.  
 2003/0192128 A1 10/2003 Rivera  
 2004/0003472 A1 1/2004 Dallas et al.  
 2004/0019973 A1 2/2004 Rivera

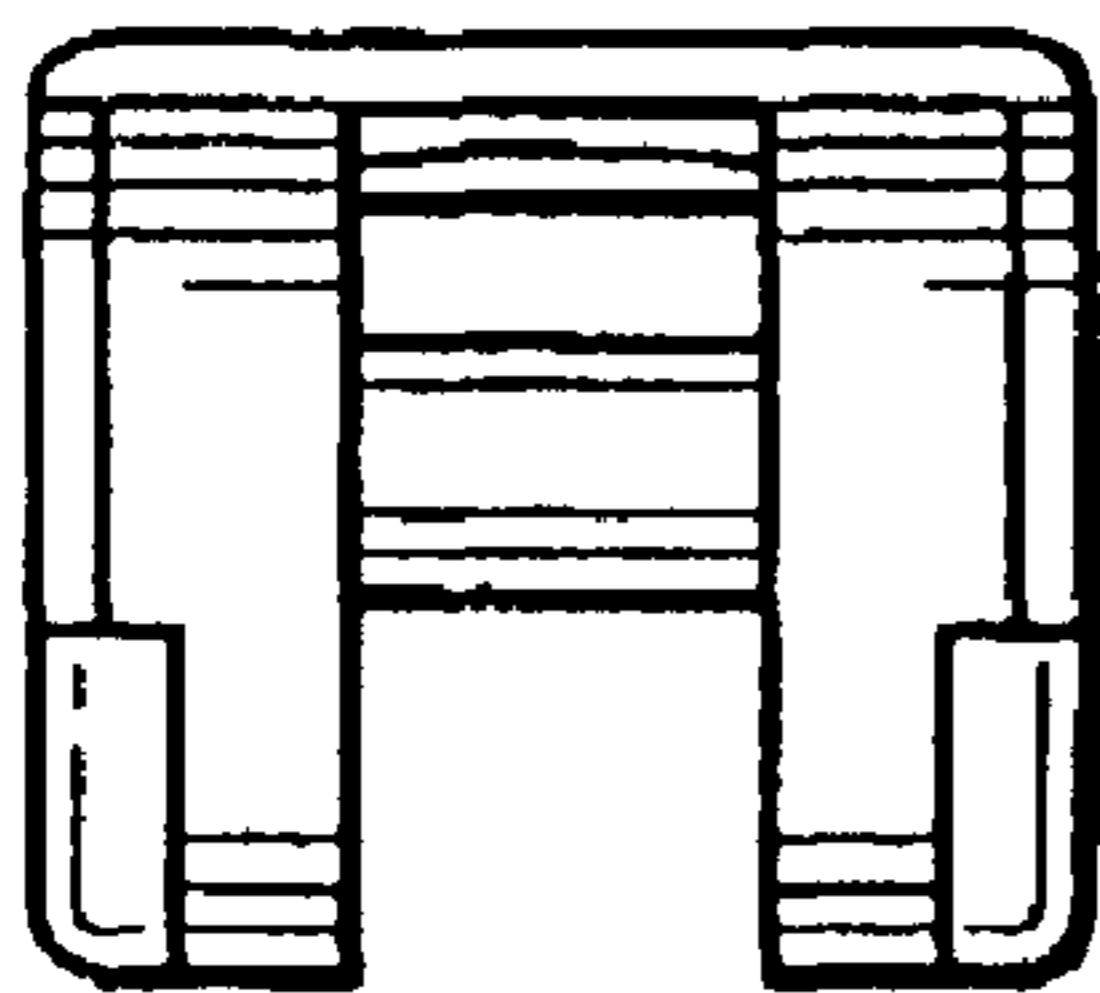
OTHER PUBLICATIONS

U.S. Appl. No. 29/220,870, Yale.  
 U.S. Appl. No. 29/220,912, Yale, et al.  
 U.S. Appl. No. 29/220,922, Yale.  
 U.S. Appl. No. 29/220,911, Tsuda.  
 U.S. Appl. No. 29/220,831, Yale.  
 U.S. Appl. No. 29/220,871, Yale, et al.  
 E-Bay Advertisement, "Early 1900s Folding Fisherman's Tool MT," Item No. 2153119094, at least as early as Jan. 13, 2003.

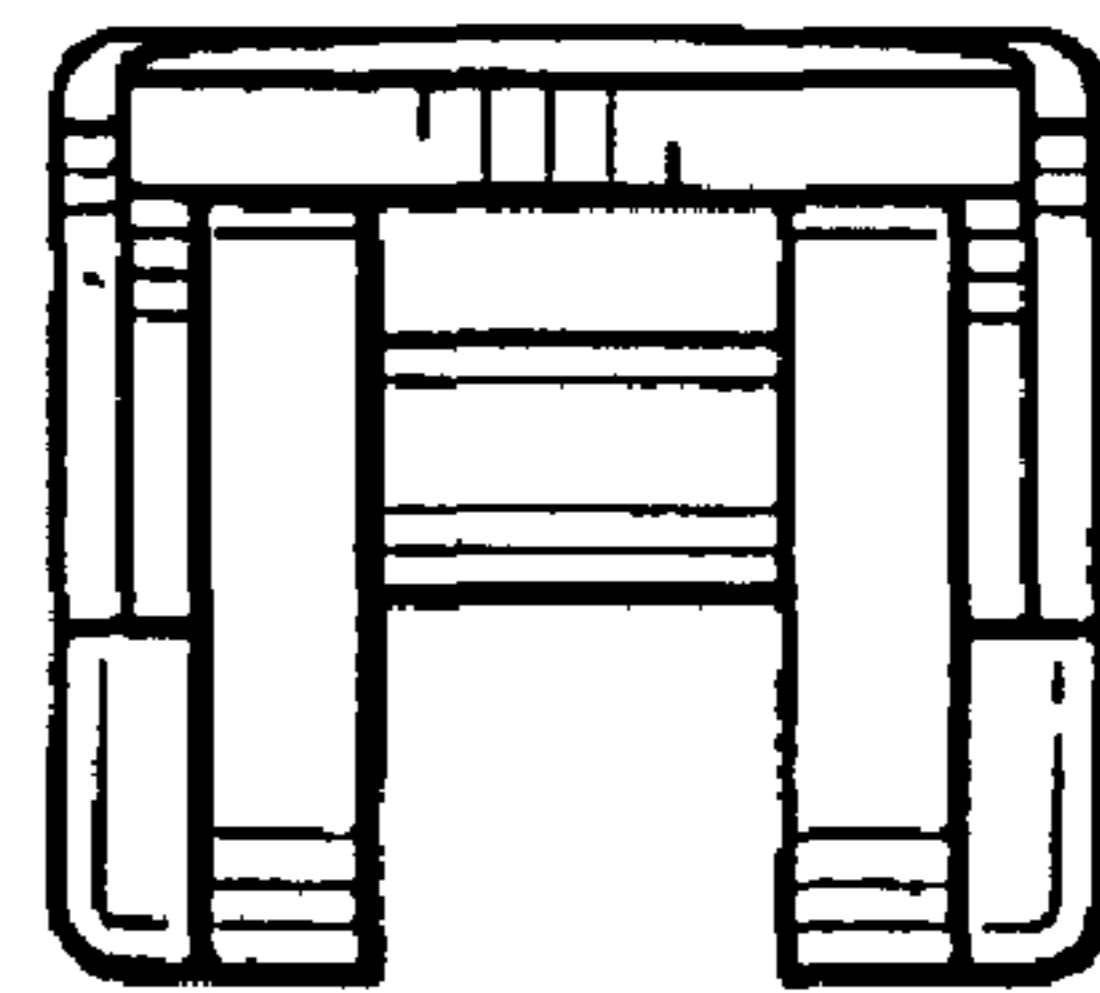
\* cited by examiner



**FIG. 1**



**FIG. 6**



**FIG. 7**

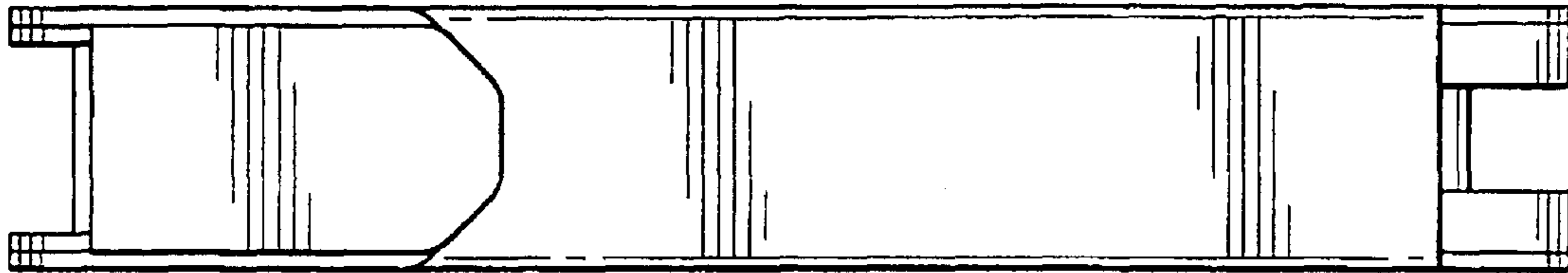


FIG. 2

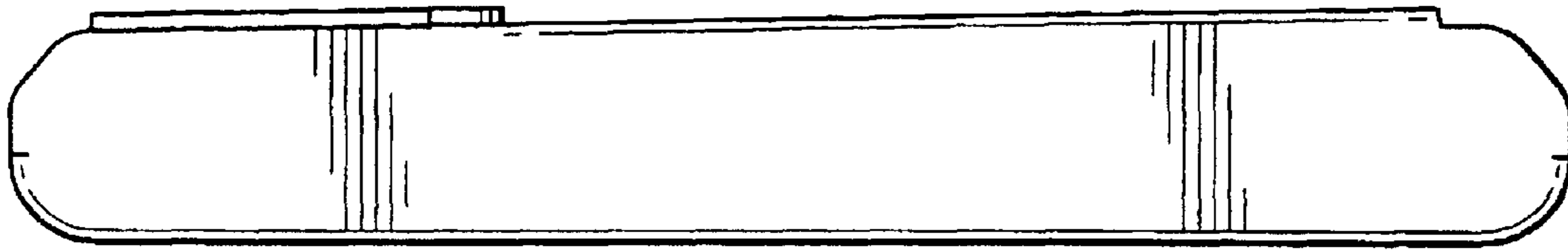


FIG. 3

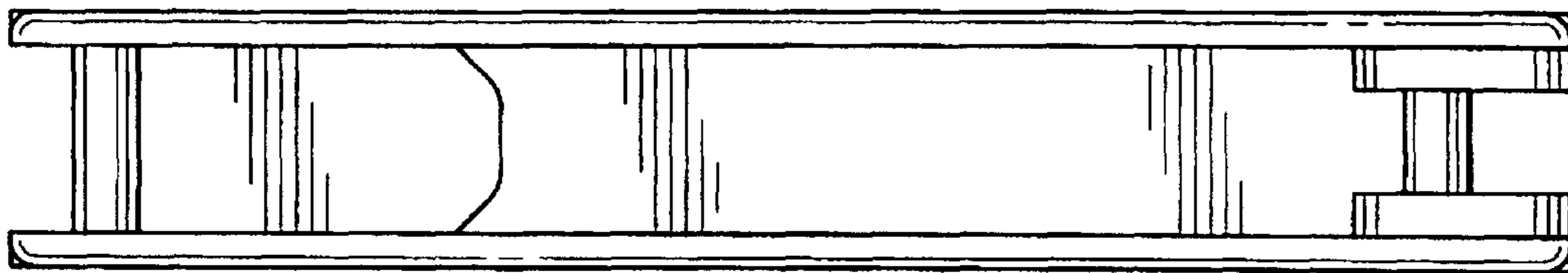


FIG. 4

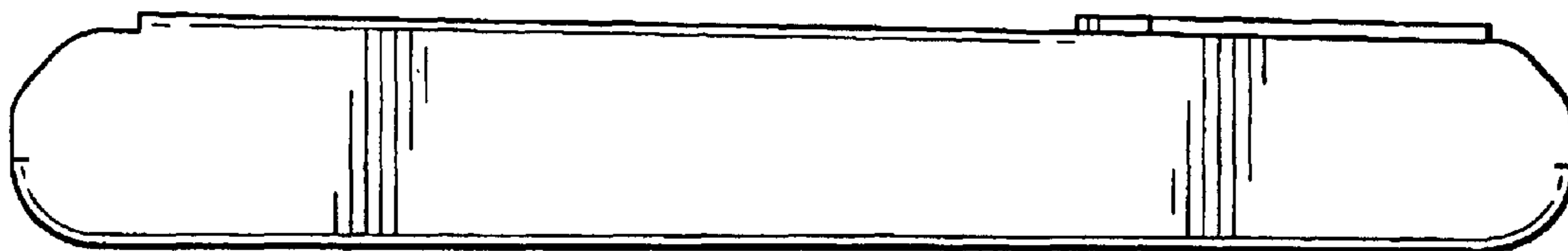


FIG. 5