



US00D538128S

(12) **United States Design Patent**
Watanabe

(10) **Patent No.:** **US D538,128 S**
(45) **Date of Patent:** **** Mar. 13, 2007**

(54) **ROUTER BIT**

(75) Inventor: **Shunsuke Watanabe**, Shizuoka (JP)

(73) Assignee: **Off Corporation Inc.**, Shizuoka-ken (JP)

(**) Term: **14 Years**

(21) Appl. No.: **29/258,591**

(22) Filed: **Apr. 25, 2006**

(30) **Foreign Application Priority Data**

Oct. 25, 2005 (JP) 2005-031234

(51) **LOC (8) Cl.** **08-01**

(52) **U.S. Cl.** **D8/70; D15/139**

(58) **Field of Classification Search** D8/70,
D8/61, 67; D15/127, 138, 139; 144/134.2,
144/135.2, 137, 221, 222, 228, 241, 253.2,
144/253.5; 407/11, 30, 53, 54, 61, 63, 114;
409/182

See application file for complete search history.

(56) **References Cited**

U.S. PATENT DOCUMENTS

D262,219 S * 12/1981 Lassiter D15/139
D263,598 S * 3/1982 Lassiter D15/139
D269,348 S * 6/1983 Strohmaier D15/139
D273,389 S * 4/1984 Lassiter D15/139
D316,103 S * 4/1991 Lassiter D15/139
D338,213 S * 8/1993 Witt D15/139
5,615,718 A * 4/1997 Venditto 144/135.2
5,899,252 A * 5/1999 Pozzo 144/137
D434,783 S * 12/2000 Reichenthal D15/139

D438,550 S * 3/2001 Uhlig et al. D15/139
6,354,347 B1 * 3/2002 Brewer 144/135.2
6,367,524 B1 * 4/2002 Brewer 144/371
D477,516 S * 7/2003 Dollar et al. D8/70
6,817,813 B2 * 11/2004 Dollar et al. 409/182
7,036,539 B2 * 5/2006 Sherman et al. 407/11
7,044,694 B2 * 5/2006 Lowder et al. 409/180
2003/0072624 A1 * 4/2003 Dollar et al. 407/30
2003/0147713 A1 * 8/2003 Dembicks 407/53
2004/0062616 A1 * 4/2004 Pozzo 407/53
2004/0096281 A1 * 5/2004 Sherman et al. 407/11
2006/0182507 A1 * 8/2006 Lowder et al. 409/180

* cited by examiner

Primary Examiner—T. Chase Nelson

(74) *Attorney, Agent, or Firm*—Jacobson Holman PLLC

(57) **CLAIM**

The ornamental design for the router bit, as shown and described.

DESCRIPTION

FIG. 1 is a front perspective view of the router bit embodying my design;

FIG. 2 is a front elevational view of the router bit, the back elevational view being identical;

FIG. 3 is a top plan view of the router bit;

FIG. 4 is a right side elevational view of the router bit, the left side elevational view being identical;

FIG. 5 is a bottom plan view of the router bit;

FIG. 6 is a transverse sectional view of the router bit taken along line 6—6 of FIG. 2; and,

FIG. 7 is a longitudinal sectional view taken along line 7—7 of FIG. 3.

1 Claim, 4 Drawing Sheets

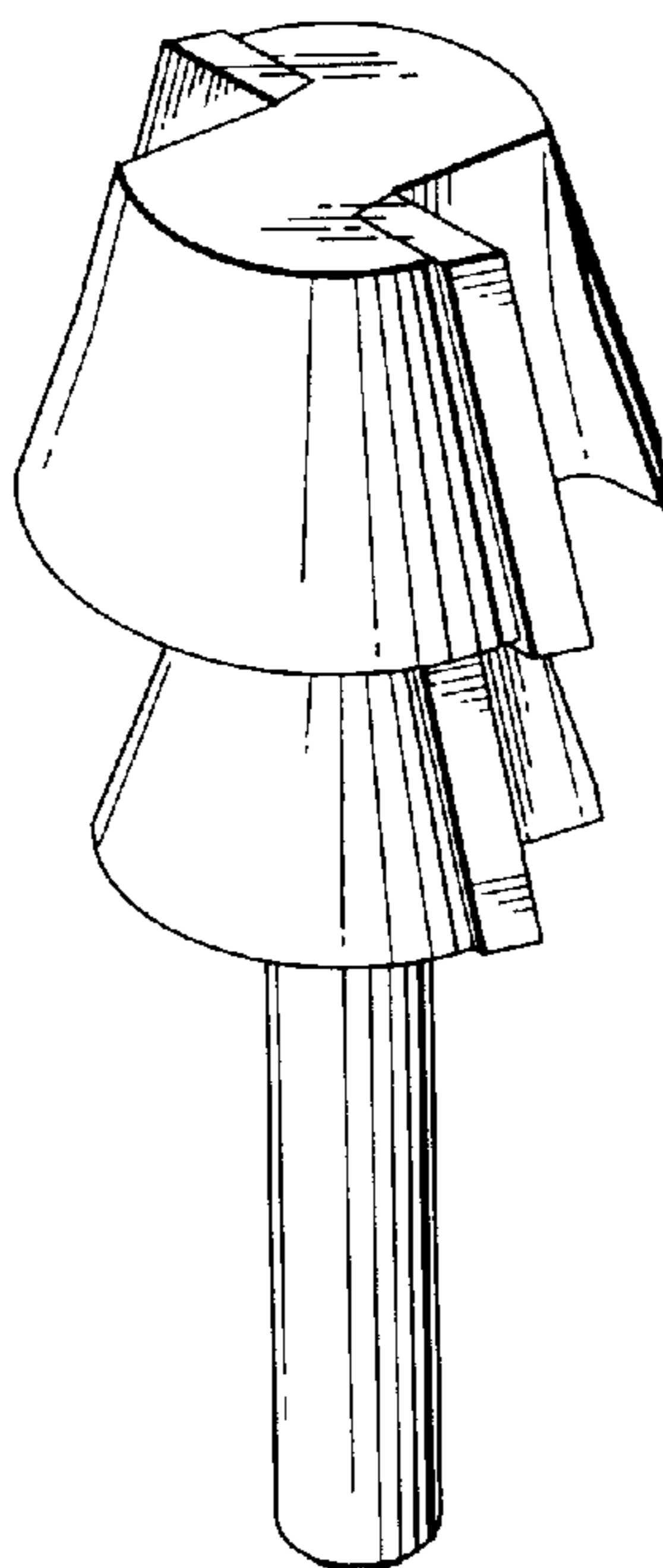


FIG. 1

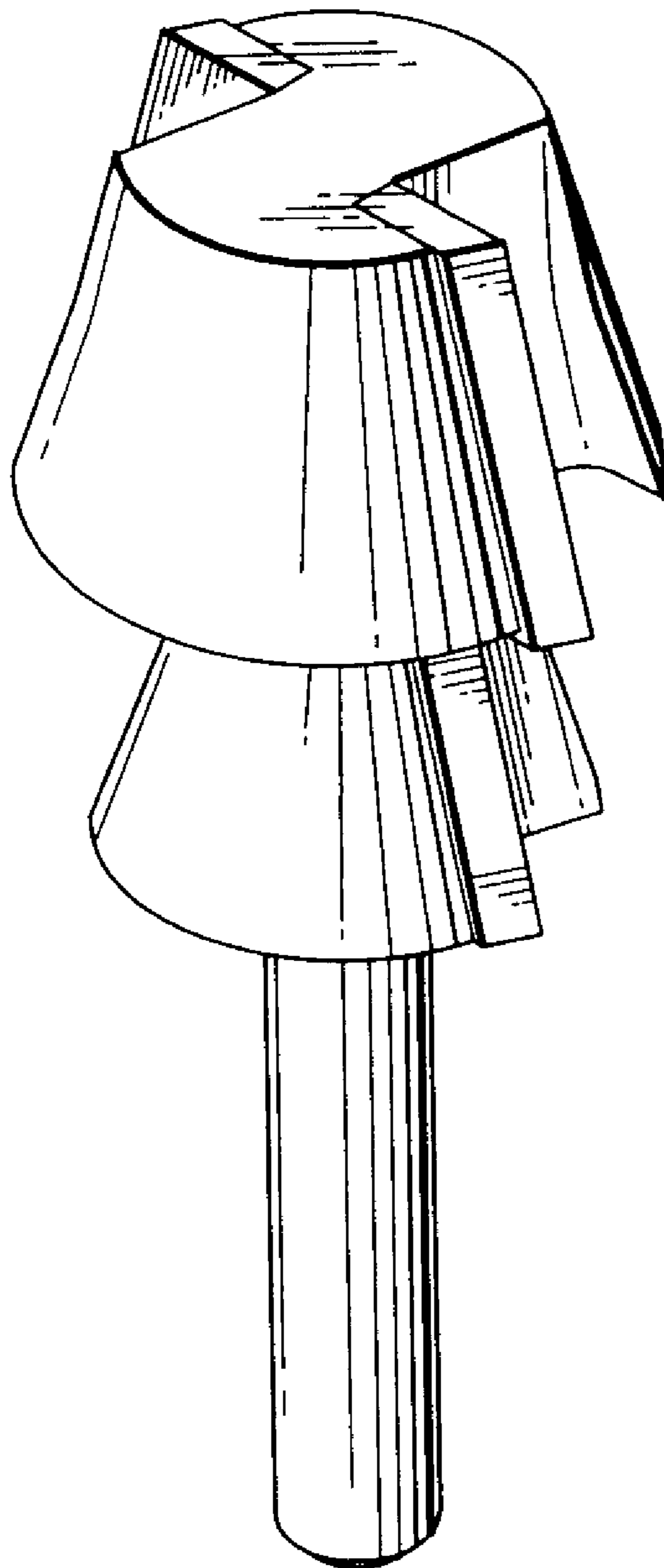


FIG. 2

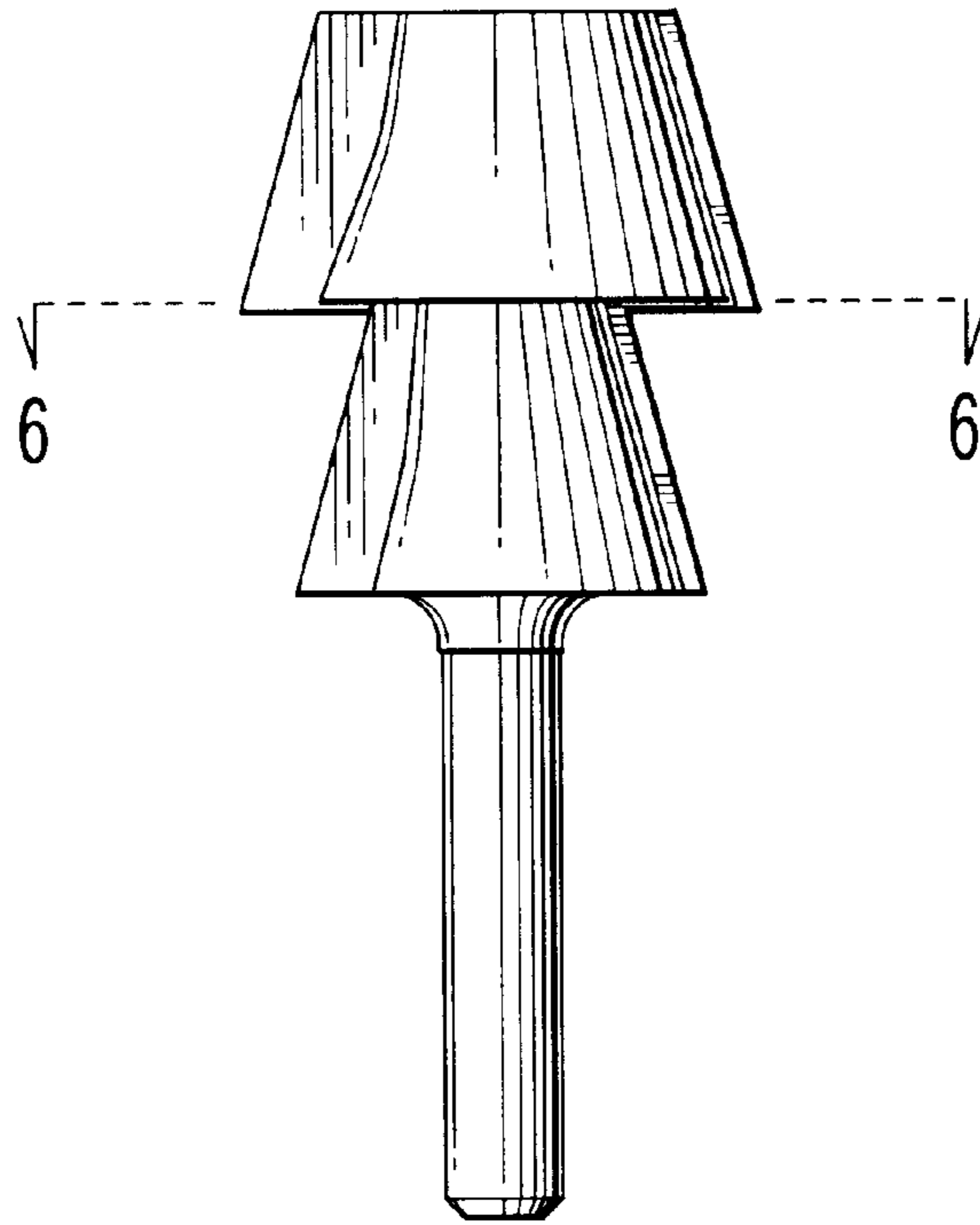


FIG. 3

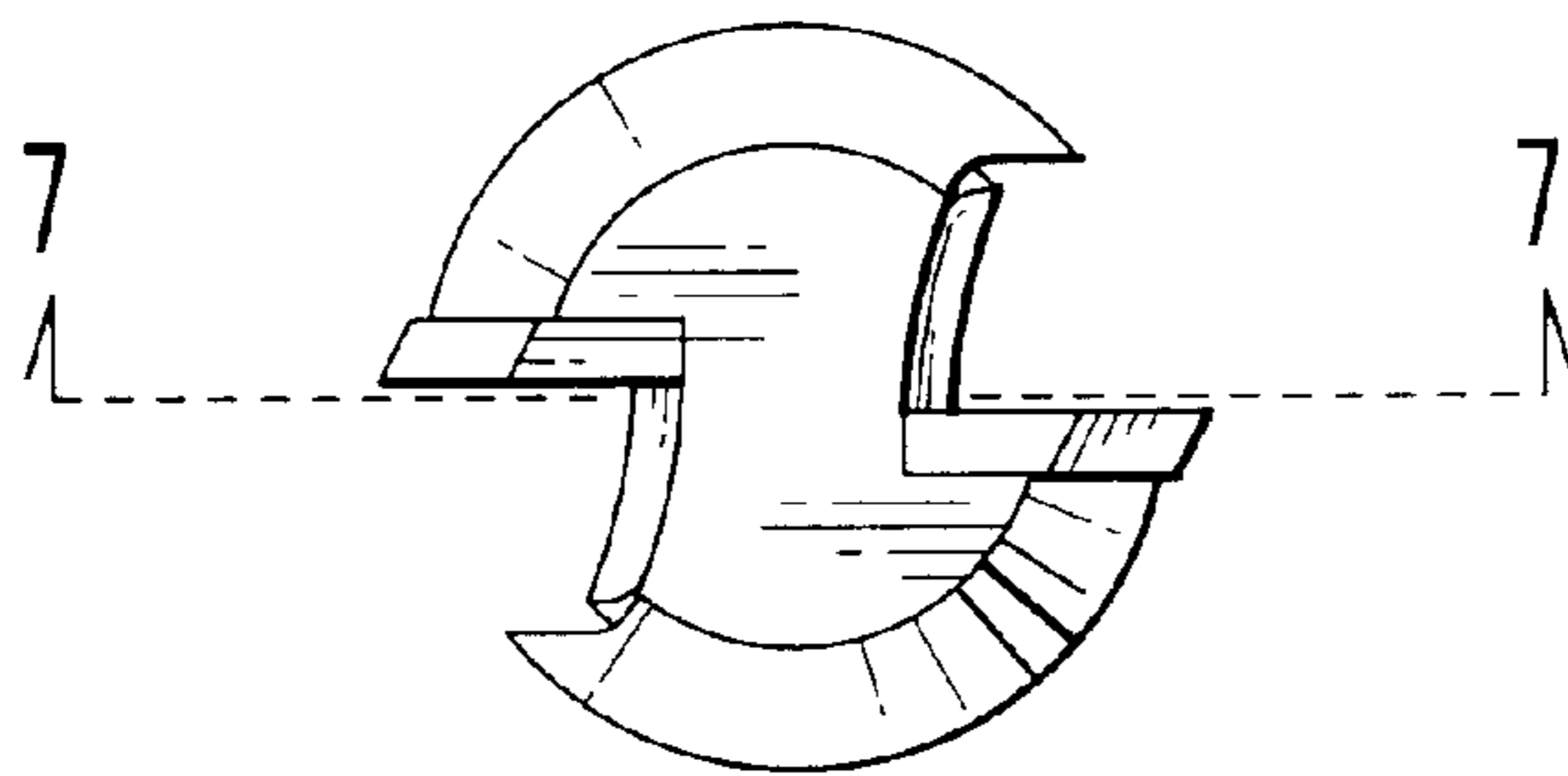


FIG. 4

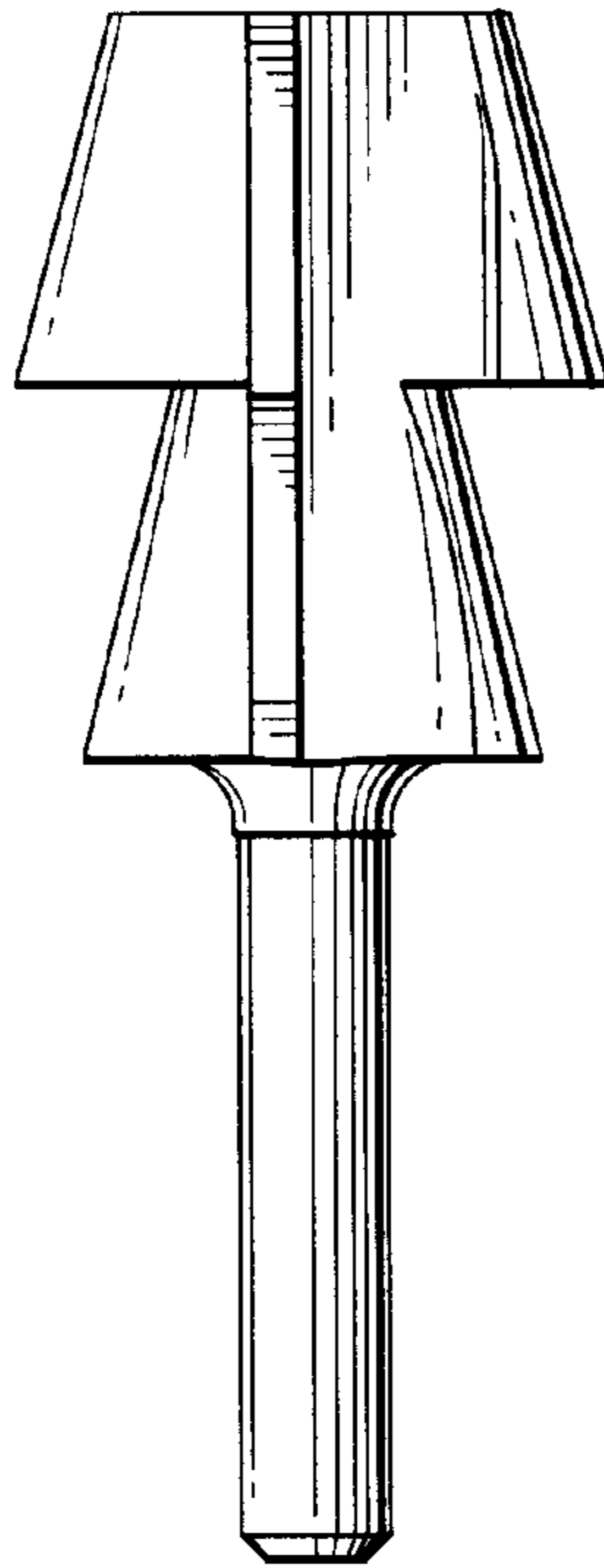


FIG. 5

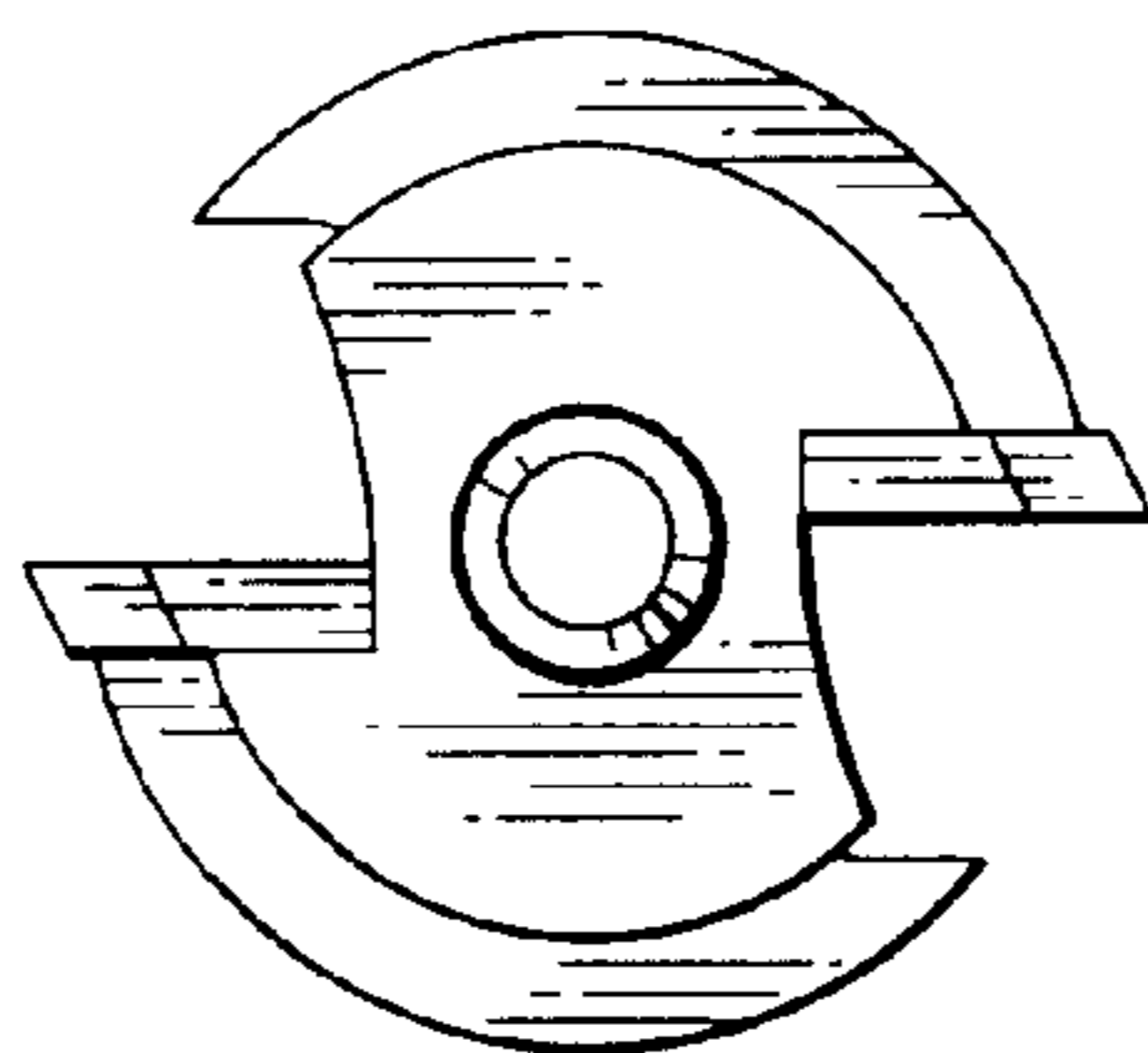


FIG. 6

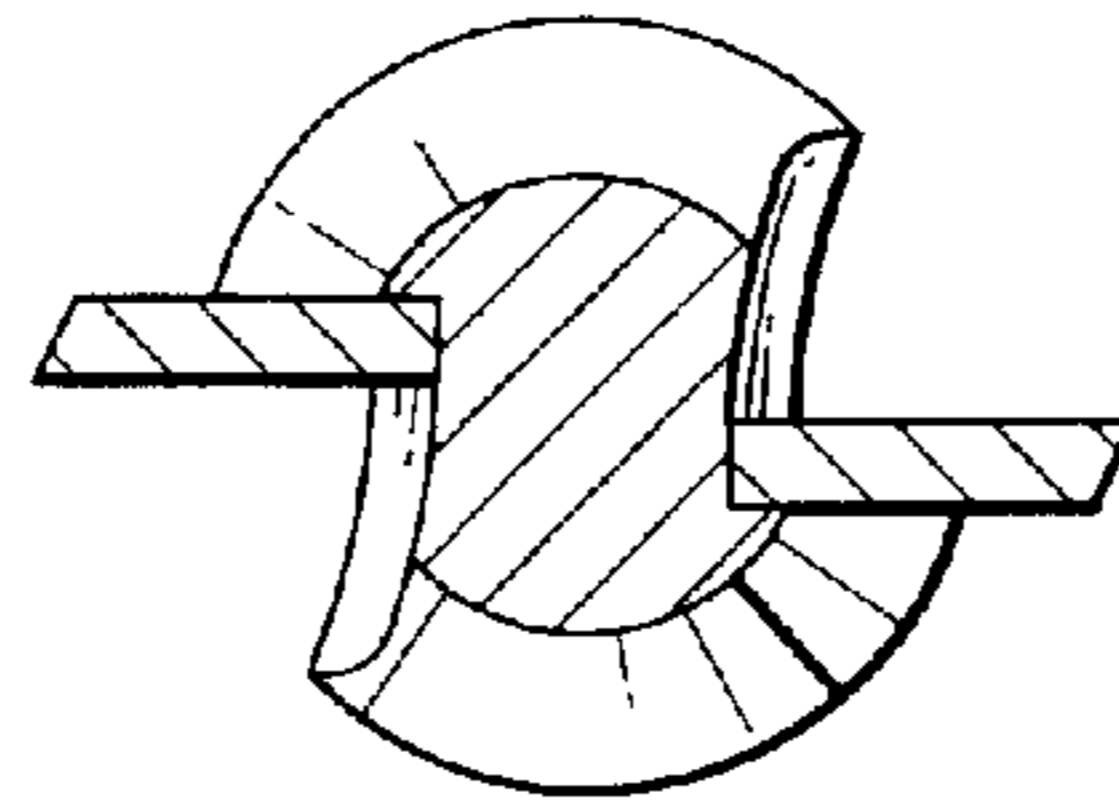


FIG. 7

