



US00D538127S

(12) **United States Design Patent**  
**Watanabe**

(10) **Patent No.:** **US D538,127 S**  
(45) **Date of Patent:** **\*\* Mar. 13, 2007**

(54) **ROUTER BIT**

(75) Inventor: **Shunsuke Watanabe**, Shizuoka (JP)

(73) Assignee: **Off Corporation Inc.**, Shizuoka (JP)

(\*\*) Term: **14 Years**

(21) Appl. No.: **29/258,587**

(22) Filed: **Apr. 25, 2006**

(30) **Foreign Application Priority Data**

Oct. 25, 2005 (JP) ..... 2005-031236

(51) **LOC (8) Cl.** ..... **08-01**

(52) **U.S. Cl.** ..... **D8/70; D15/139**

(58) **Field of Classification Search** ..... D8/70,  
D8/61, 67; D15/127, 138, 139; 144/134.2,  
144/135.2, 137, 221, 222, 228, 241, 253.2,  
144/253.5; 407/11, 30, 53, 54, 61, 63, 114;  
409/182

See application file for complete search history.

(56) **References Cited**

**U.S. PATENT DOCUMENTS**

D262,219 S \* 12/1981 Lassiter ..... D15/139  
D263,598 S \* 3/1982 Lassiter ..... D15/139  
D269,348 S \* 6/1983 Strohmaier ..... D15/139  
D273,389 S \* 4/1984 Lassiter ..... D15/139  
D316,103 S \* 4/1991 Lassiter ..... D15/139  
D338,213 S \* 8/1993 Witt ..... D15/139  
5,615,718 A \* 4/1997 Venditto ..... 144/135.2  
5,899,252 A \* 5/1999 Pozzo ..... 144/137  
D434,783 S \* 12/2000 Reichenthal ..... D15/139

D438,550 S \* 3/2001 Uhlig et al. .... D15/139  
6,354,347 B1 \* 3/2002 Brewer ..... 144/135.2  
6,367,524 B1 \* 4/2002 Brewer ..... 144/371  
D477,516 S \* 7/2003 Dollar et al. .... D8/70  
6,817,813 B2 \* 11/2004 Dollar et al. .... 409/182  
7,036,539 B2 \* 5/2006 Sherman et al. .... 407/11  
7,044,694 B2 \* 5/2006 Lowder et al. .... 409/180  
2003/0072624 A1 \* 4/2003 Dollar et al. .... 407/30  
2003/0147713 A1 \* 8/2003 Dembicks ..... 407/53  
2004/0062616 A1 \* 4/2004 Pozzo ..... 407/53  
2004/0096281 A1 \* 5/2004 Sherman et al. .... 407/11  
2006/0182507 A1 \* 8/2006 Lowder et al. .... 409/180

\* cited by examiner

*Primary Examiner*—T. Chase Nelson

(74) *Attorney, Agent, or Firm*—Jacobson Holman PLLC

(57) **CLAIM**

The ornamental design for the router bit, as shown and described.

**DESCRIPTION**

FIG. 1 is a front perspective view of the router bit;  
FIG. 2 is a front elevational view of the router bit, the rear elevational view being identical;  
FIG. 3 is a top plan view of the router bit;  
FIG. 4 is a right side elevational view of the router bit, the left side elevational view being identical;  
FIG. 5 is a bottom plan view of the router bit;  
FIG. 6 is a transverse sectional view taken along line 6—6 of FIG. 2; and,  
FIG. 7 is a longitudinal sectional view taken along line 7—7 of FIG. 3.

**1 Claim, 4 Drawing Sheets**

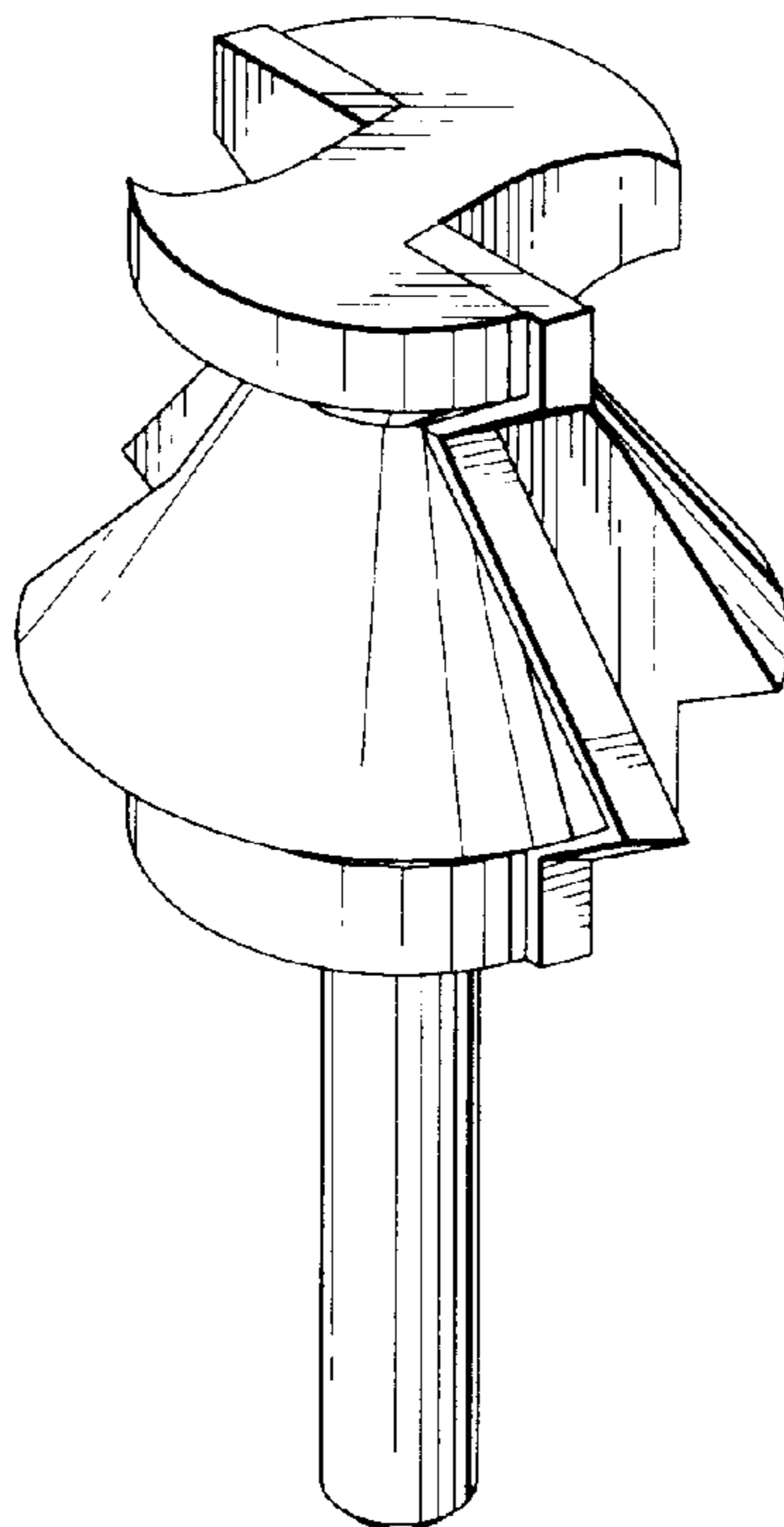


FIG. 1

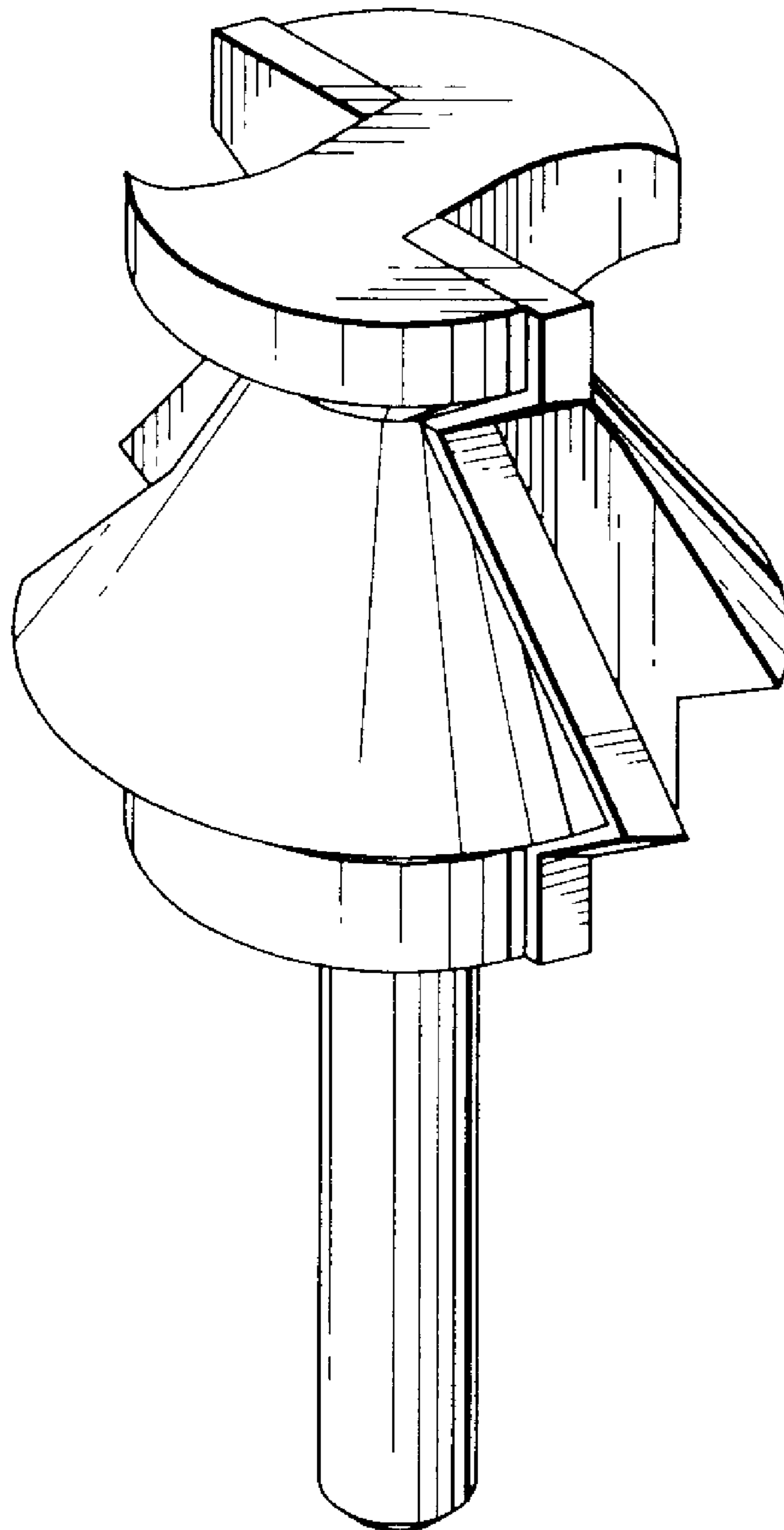


FIG. 2

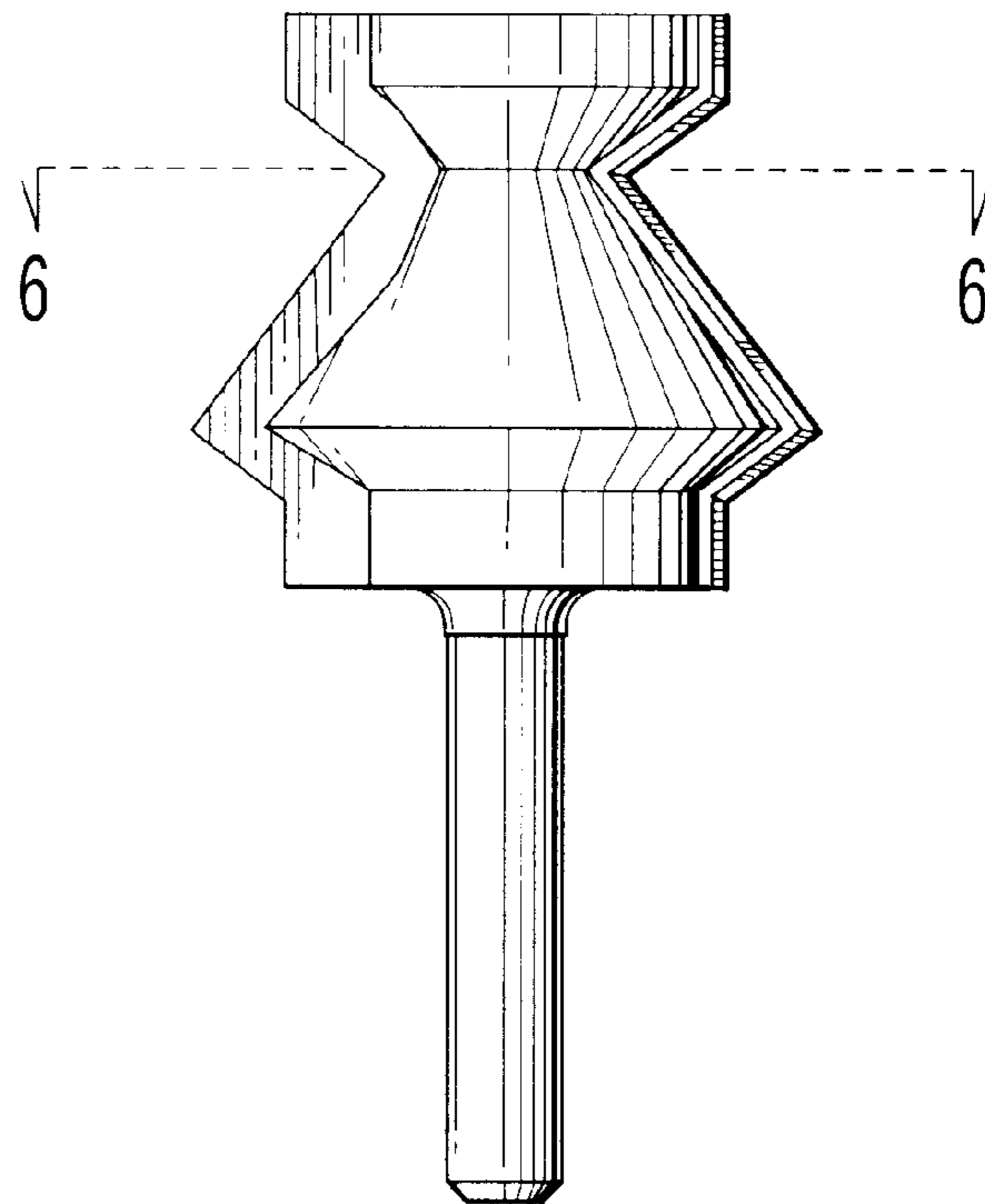


FIG. 3

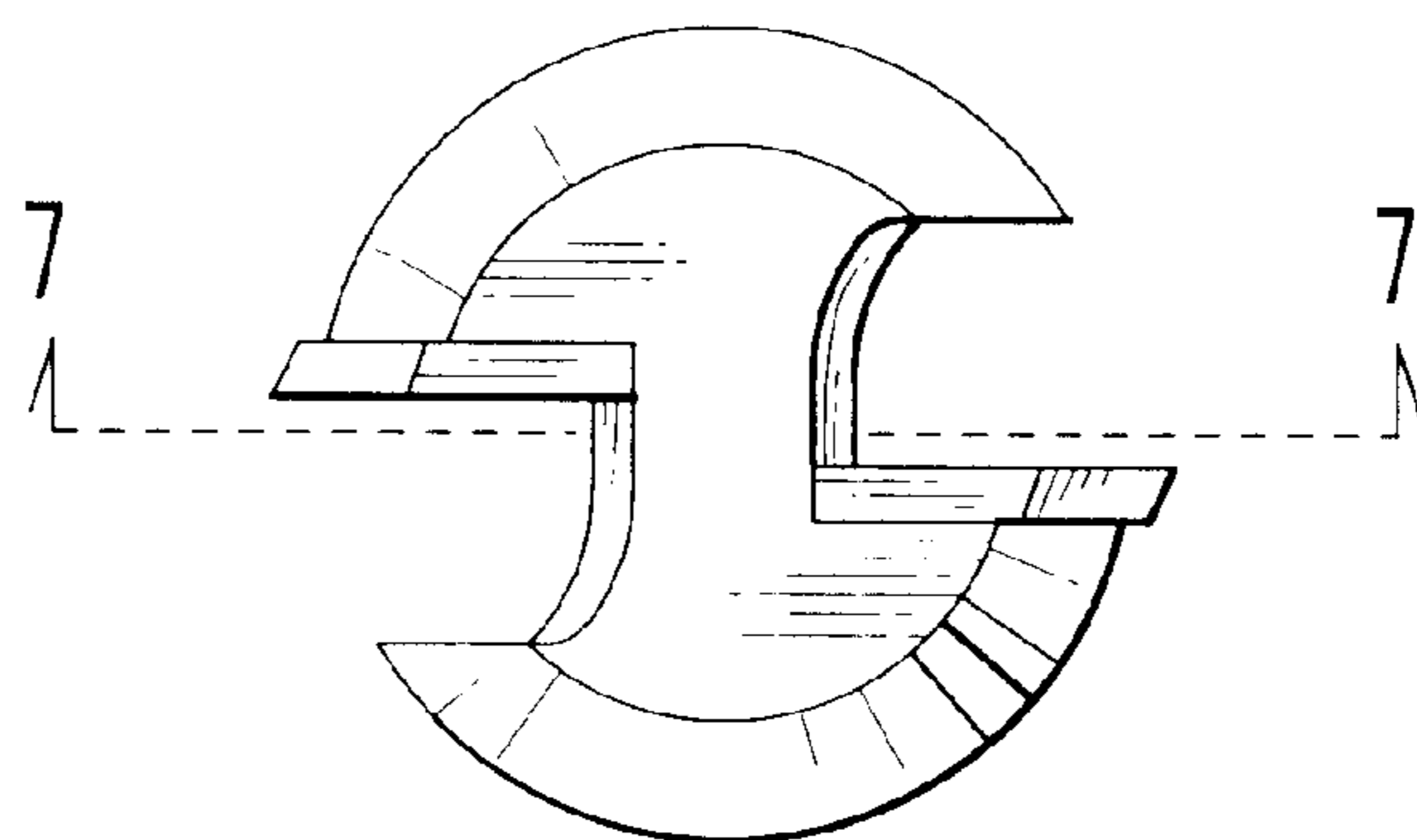


FIG. 4

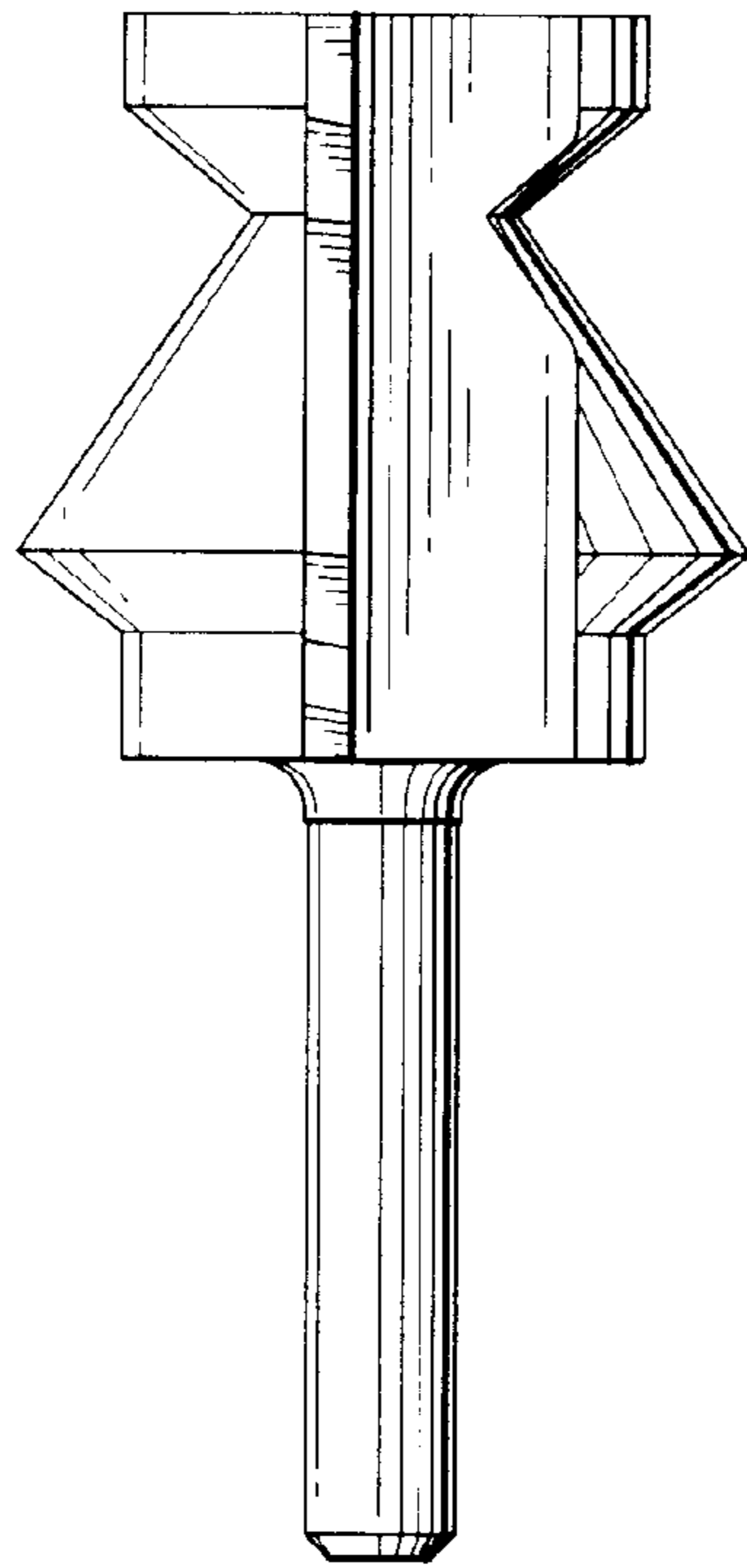


FIG. 5

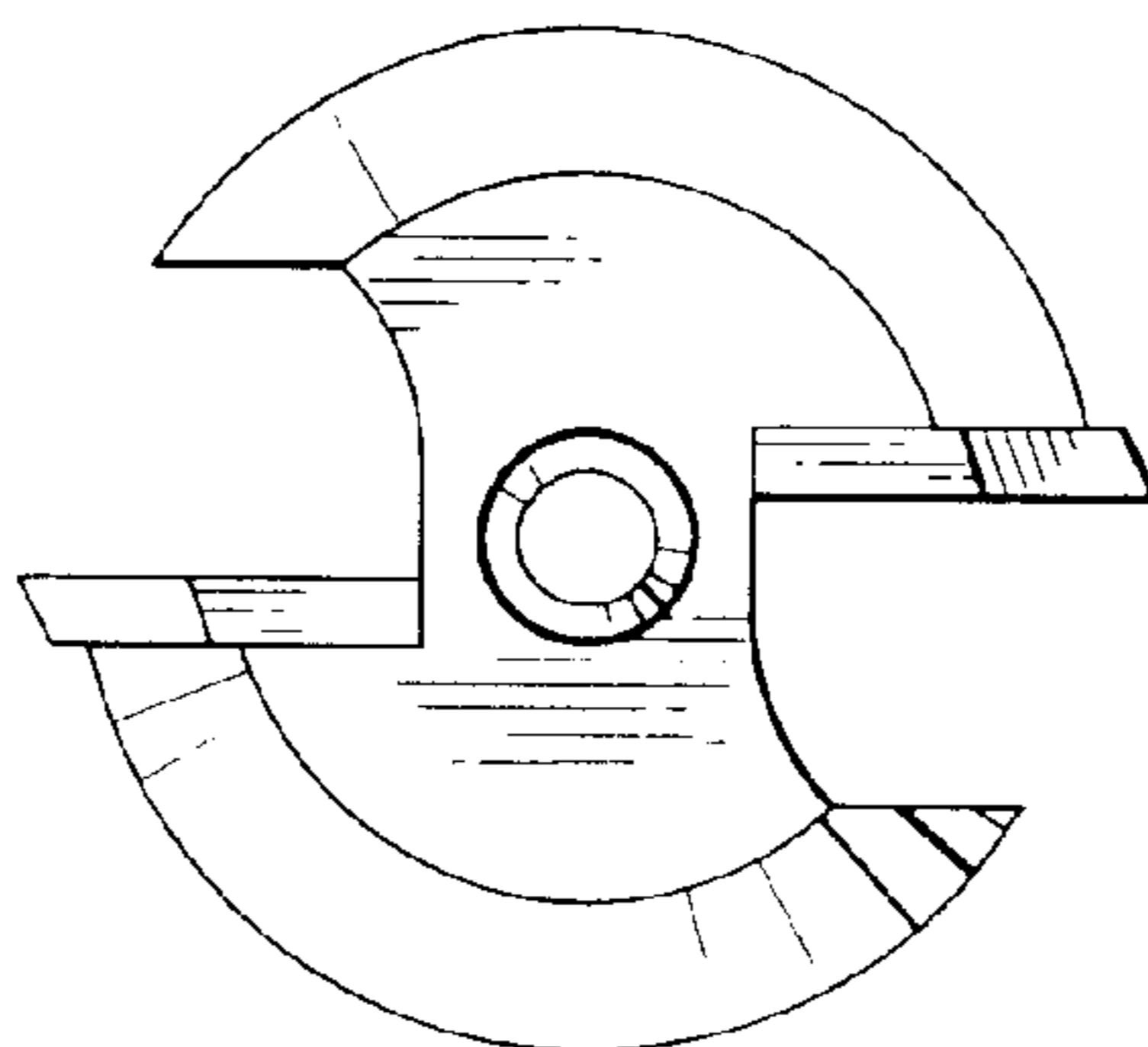


FIG. 6

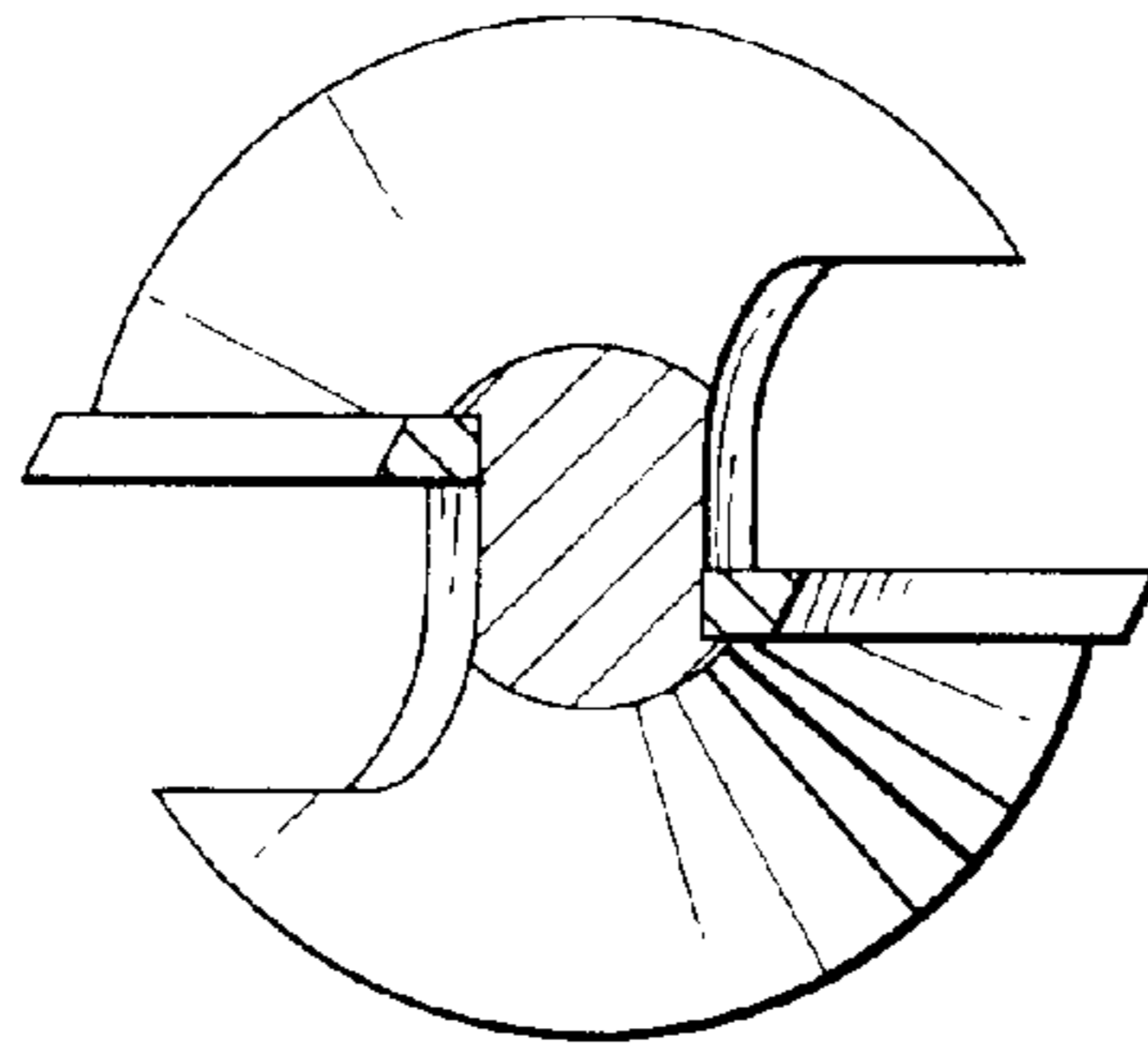


FIG. 7

