



US00D538126S

(12) **United States Design Patent**  
**Aglassinger**

(10) **Patent No.:** **US D538,126 S**  
(45) **Date of Patent:** **\*\* Mar. 13, 2007**

(54) **HAMMER DRILL WITH WORK PIECE  
HOLDER**

(75) Inventor: **Hans-Peter Aglassinger**, Esslingen  
(DE)

(73) Assignee: **Robert Bosch GmbH**, Stuttgart (DE)

(\*\*) Term: **14 Years**

(21) Appl. No.: **29/257,494**

(22) Filed: **Apr. 5, 2006**

**Related U.S. Application Data**

(62) Division of application No. 29/200,228, filed on Feb. 25,  
2004.

(30) **Foreign Application Priority Data**

Aug. 29, 2003 (DE) ..... 403 05 628

(51) **LOC (8) Cl.** ..... **08-01**

(52) **U.S. Cl.** ..... **D8/68**

(58) **Field of Classification Search** ..... D8/14.1,  
D8/61, 62, 63, 64, 65, 66, 67, 68, 69-71;  
81/57.11, 429, 464, 465, 466, 469, 489; 173/13,  
173/169, 178, 213, 217, 114, 201, 211; 227/8,  
227/114, 120, 130, 136, 142; 408/20, 124,  
408/125, 234, 241 R; 451/358; 310/50  
See application file for complete search history.

(56) **References Cited**

**U.S. PATENT DOCUMENTS**

- 2,849,900 A \* 9/1958 Heidtman, Jr. .... 408/112
- 3,746,460 A \* 7/1973 Lipe ..... D8/70
- 3,779,663 A \* 12/1973 Ruggles ..... D8/70
- 4,098,351 A \* 7/1978 Alessio ..... 173/13
- 4,279,552 A \* 7/1981 Epstein ..... D8/70
- D279,862 S \* 7/1985 Sato et al. .... D8/61
- D280,797 S \* 10/1985 Sakamoto et al. .... D8/68
- D319,763 S \* 9/1991 Reiferscheid ..... D8/68
- 5,056,607 A \* 10/1991 Sanders ..... 173/109
- 5,607,265 A \* 3/1997 Lane ..... 408/20
- D396,395 S \* 7/1998 Zurwelle ..... D8/68
- D400,416 S \* 11/1998 Zurwelle ..... D8/68
- D403,565 S \* 1/1999 Chung ..... D8/68
- D406,742 S \* 3/1999 Schoen et al. .... D8/68
- 6,123,244 A \* 9/2000 Huang ..... 227/120
- D439,123 S \* 3/2001 Sakai et al. .... D8/68

- D470,379 S \* 2/2003 Andriolo ..... D8/68
- D486,049 S \* 2/2004 Sugiura et al. .... D8/68
- D490,677 S \* 6/2004 Chung et al. .... D8/68
- D498,400 S \* 11/2004 Wu ..... D8/68
- D502,374 S \* 3/2005 Aglassinger ..... D8/68
- D502,375 S \* 3/2005 Aglassinger ..... D8/68
- D502,376 S \* 3/2005 Andriolo ..... D8/68
- D507,950 S \* 8/2005 Aglassinger ..... D8/68
- D511,286 S \* 11/2005 Aglassinger ..... D8/68
- D520,320 S \* 5/2006 Corcoran ..... D8/68
- 2003/0146008 A1 \* 8/2003 Andriolo ..... 173/217
- 2004/0251041 A1 \* 12/2004 Grossman ..... 173/217
- 2006/0096768 A1 \* 5/2006 Ookubo ..... 173/201

\* cited by examiner

*Primary Examiner*—T. Chase Nelson

(74) *Attorney, Agent, or Firm*—Michael J. Striker

(57) **CLAIM**

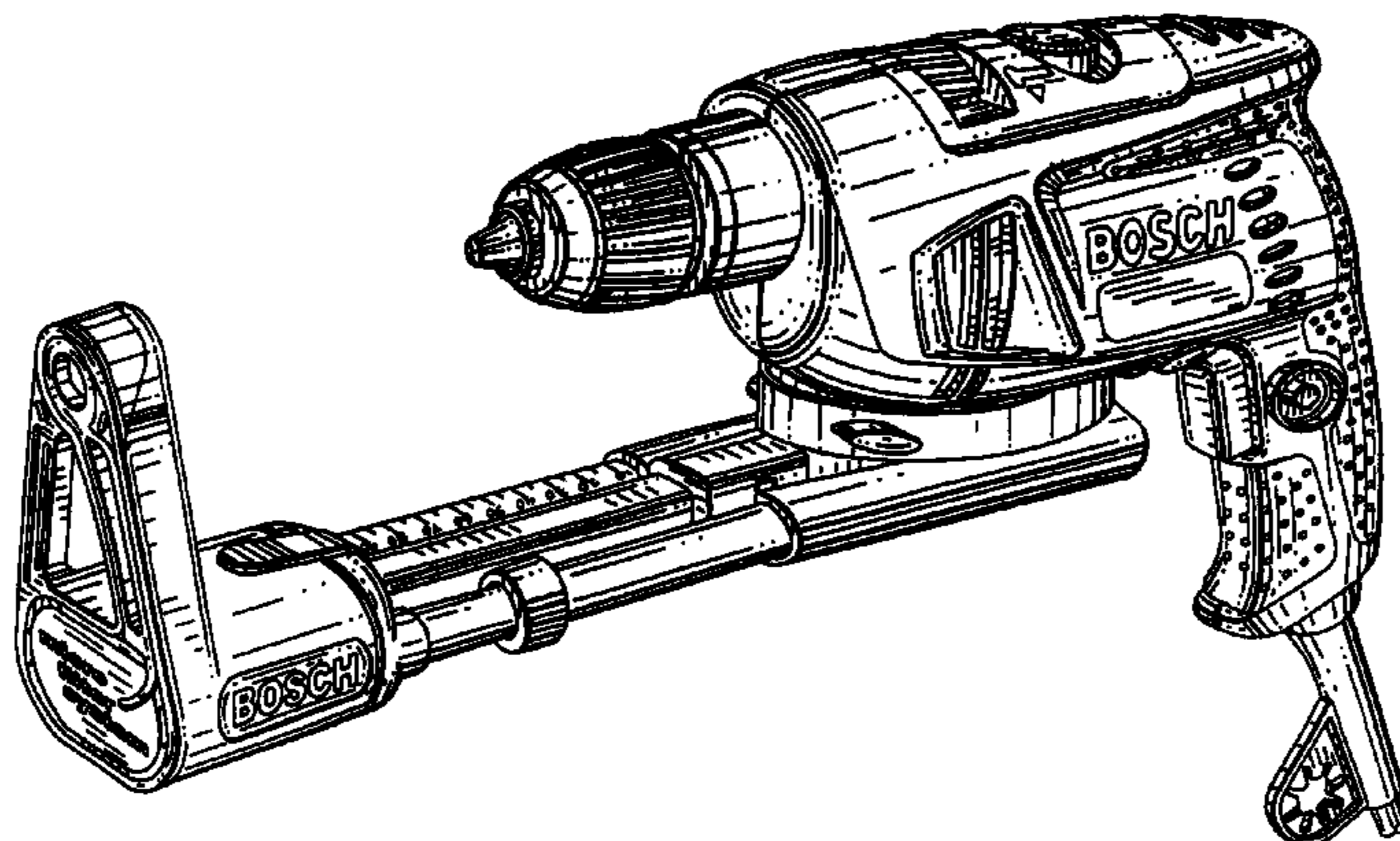
The ornamental design for a hammer drill with work piece holder, as shown and described.

**DESCRIPTION**

FIG. 1 is a front perspective view of a hammer drill with work piece holder showing my new design;  
 FIG. 2 is a side view thereof;  
 FIG. 3 is the opposite side view of FIG. 2 thereof;  
 FIG. 4 is a top view thereof;  
 FIG. 5 is a bottom view thereof;  
 FIG. 6 is a front view thereof;  
 FIG. 7 is a rear view thereof;  
 FIG. 8 is a front perspective view of an alternate embodiment of my new design;  
 FIG. 9 is a side view thereof;  
 FIG. 10 is the opposite side view of FIG. 9 thereof.  
 FIG. 11 is a top view thereof;  
 FIG. 12 is a bottom view thereof;  
 FIG. 13 is a front view thereof; and,  
 FIG. 14 is a rear view thereof.

The name Bosh displayed on the hammer drill with work piece holder in the first embodiment is a trademark owned by Robert Bosch GmbH.

**1 Claim, 14 Drawing Sheets**



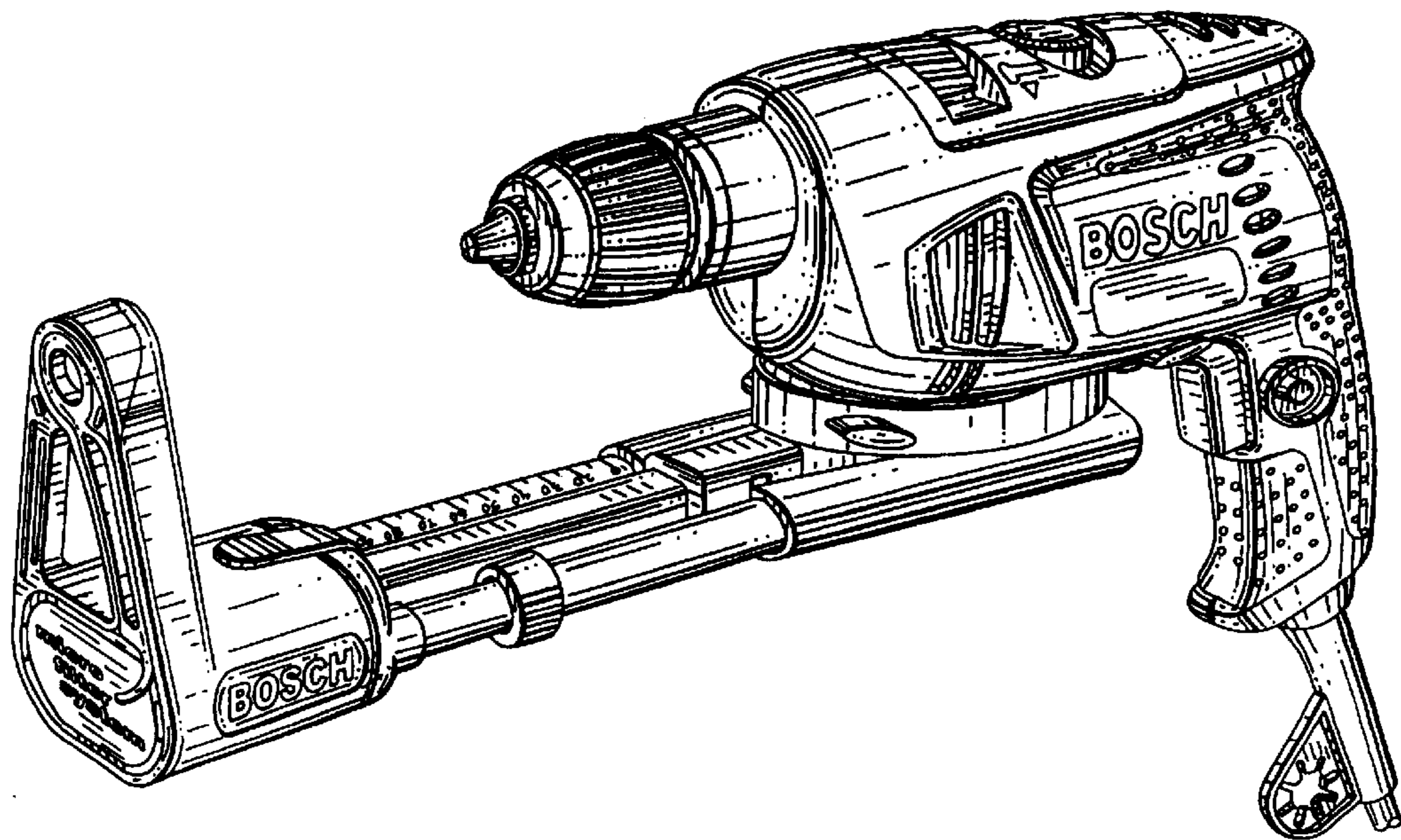


FIG. 1

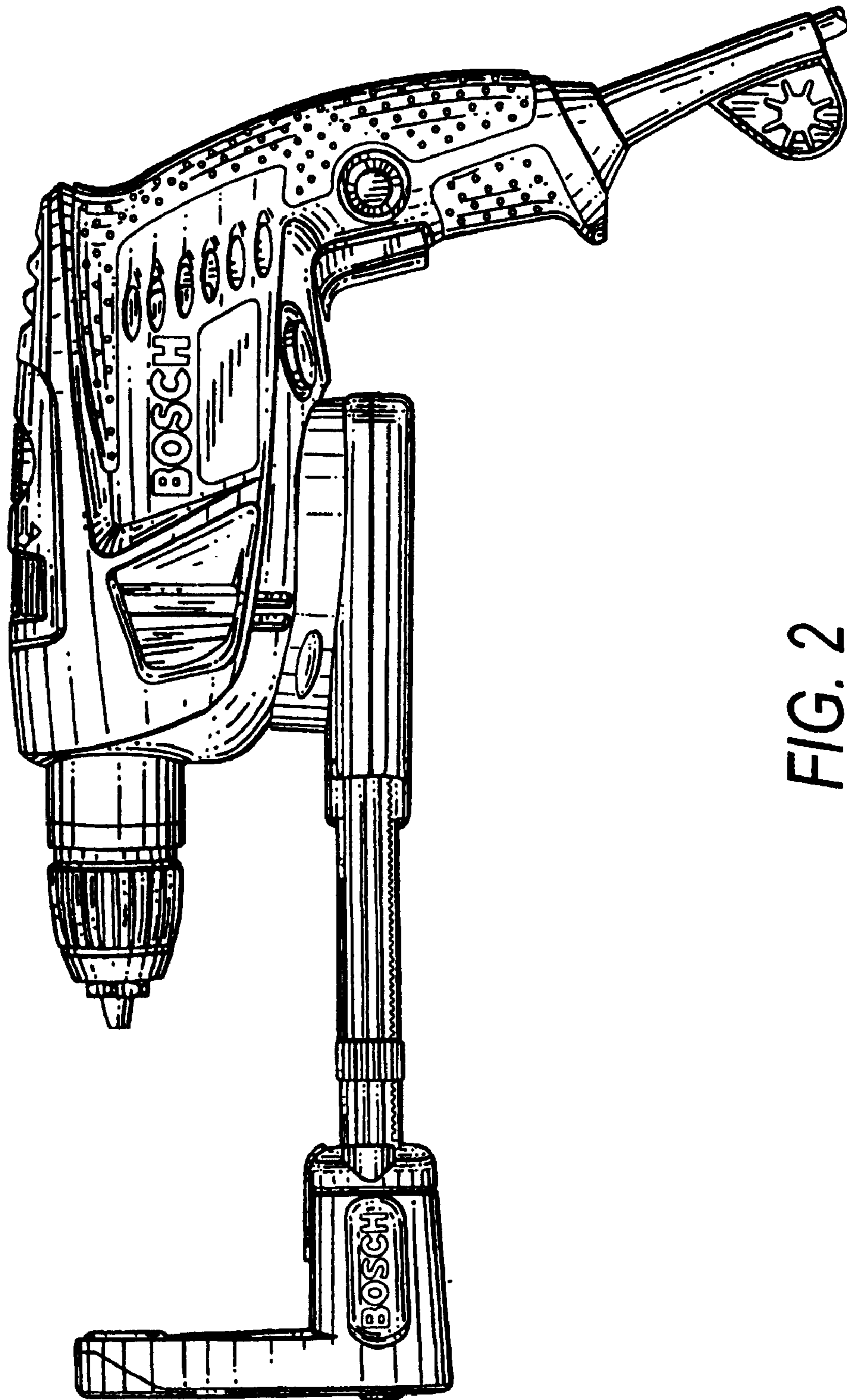


FIG. 2

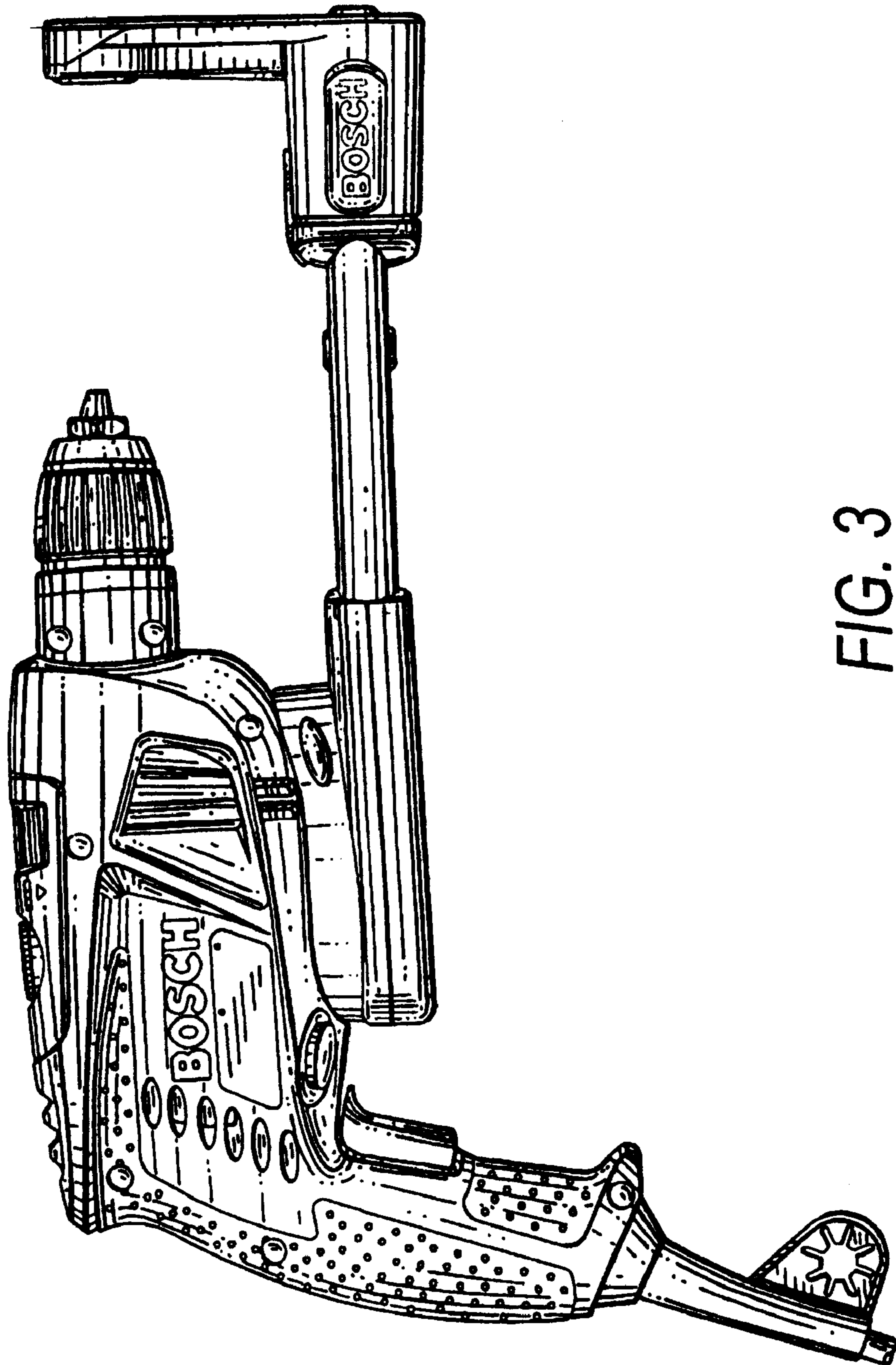


FIG. 3

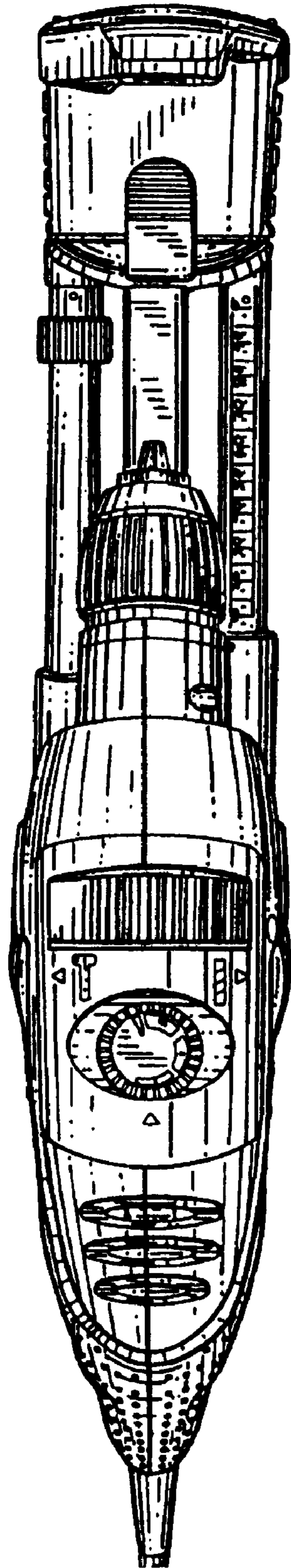


FIG. 4

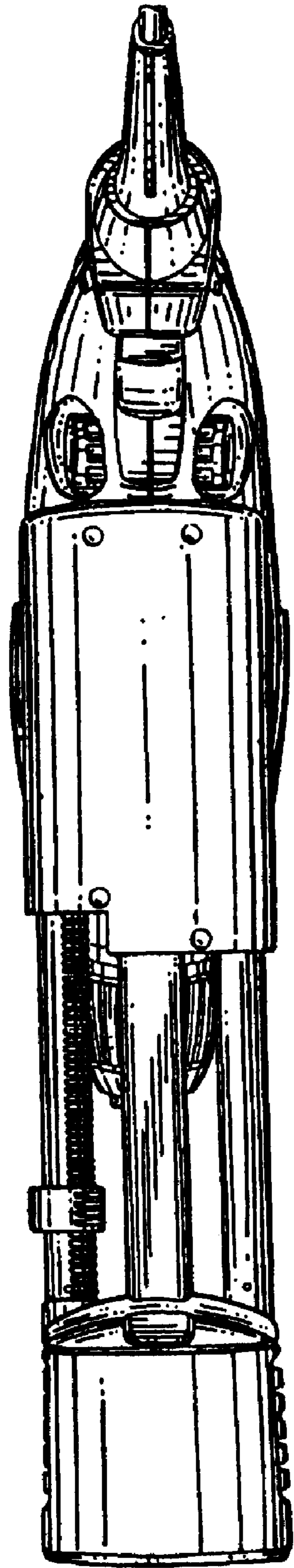


FIG. 5

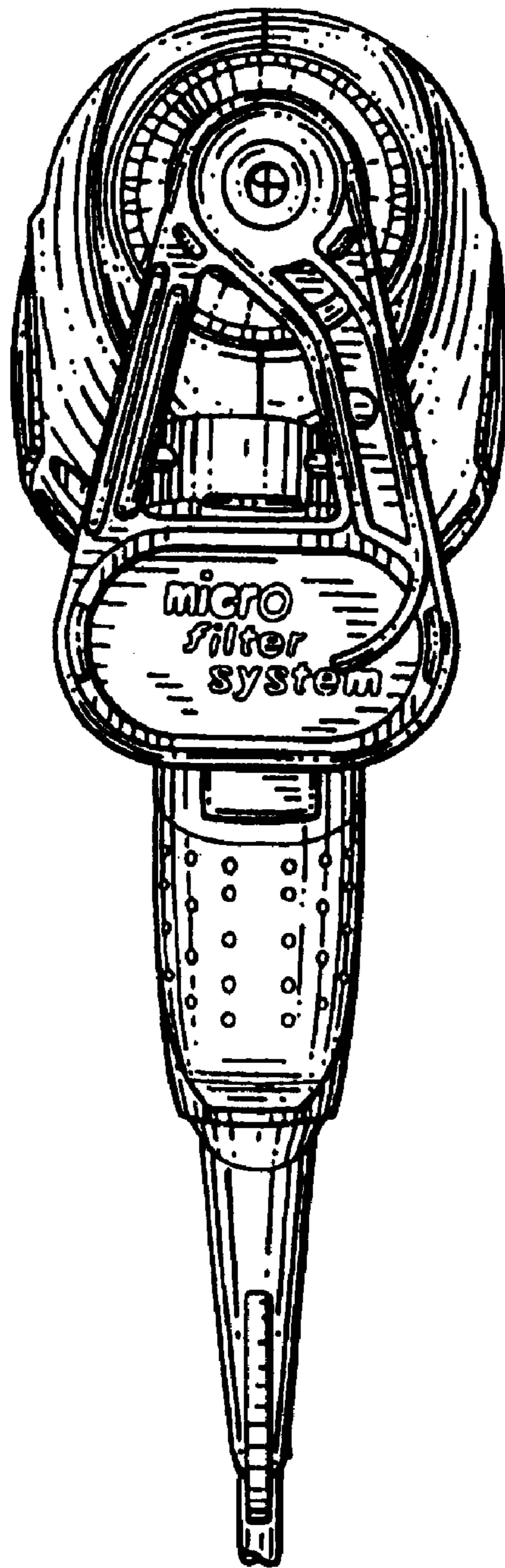
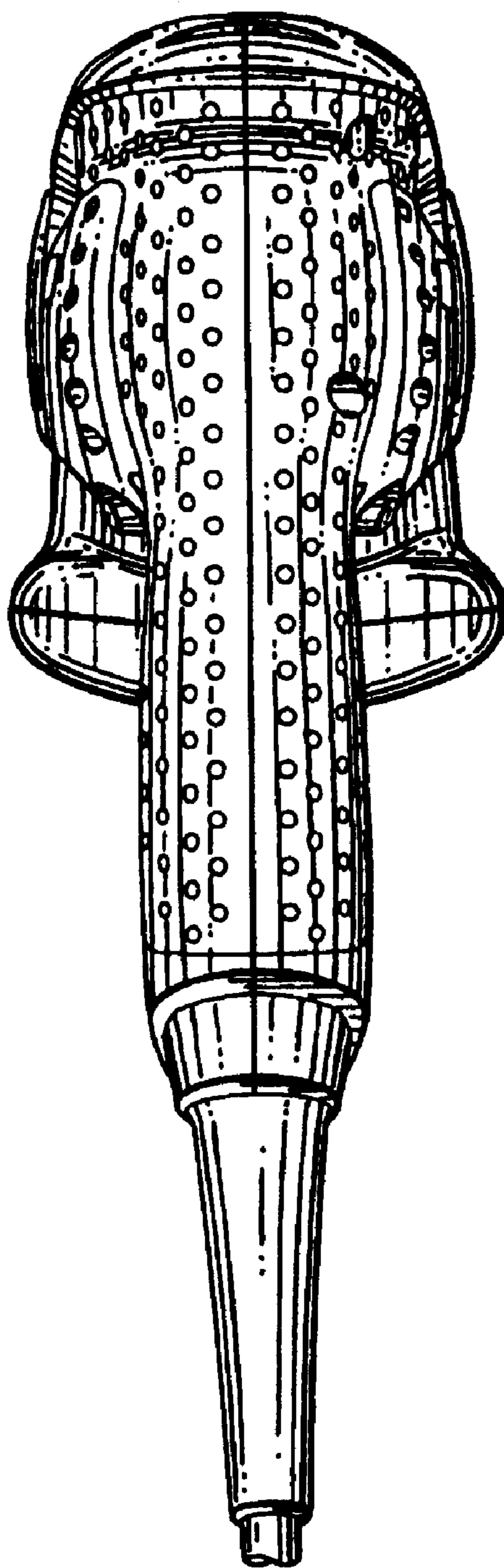


FIG. 6



**FIG. 7**



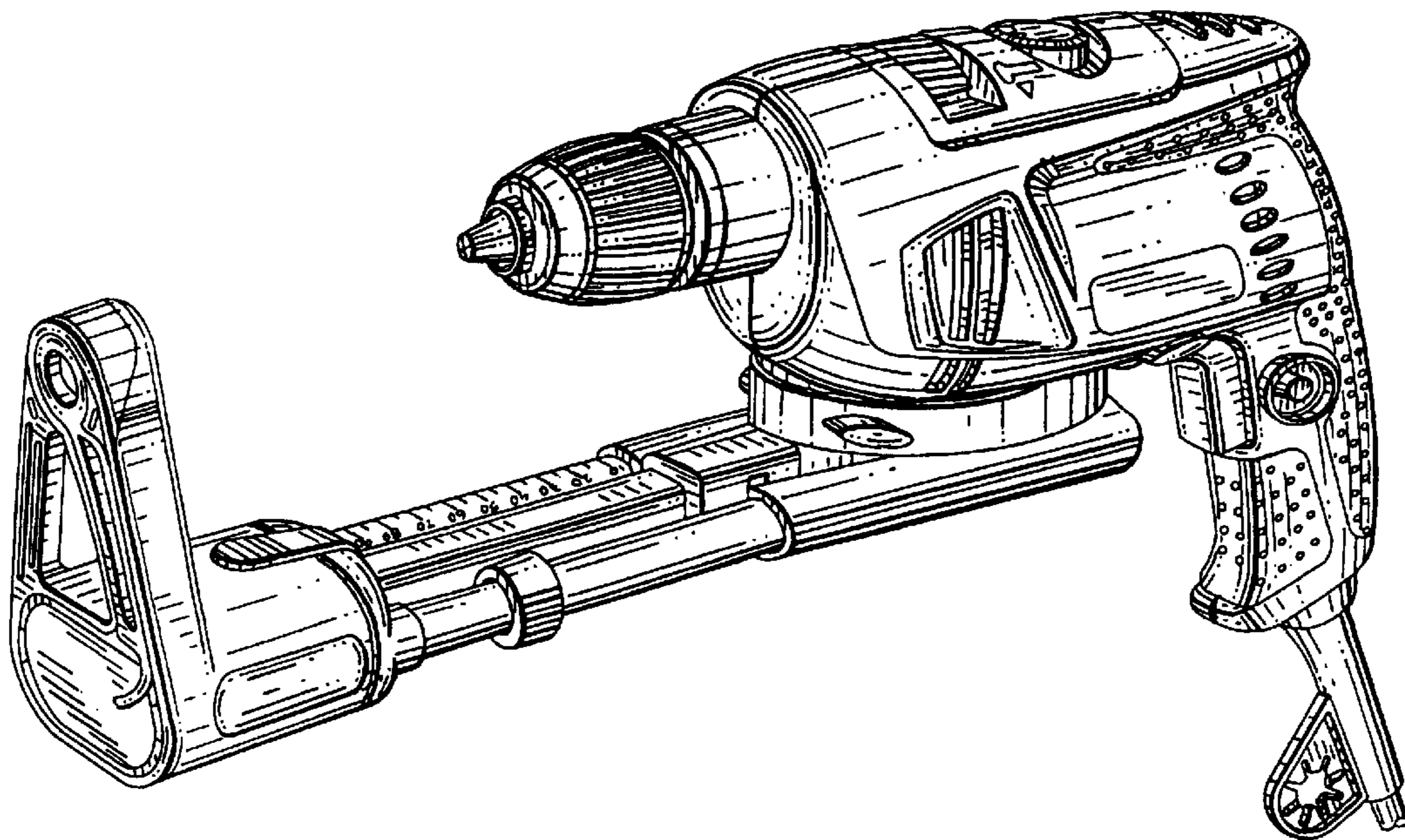


FIG. 8

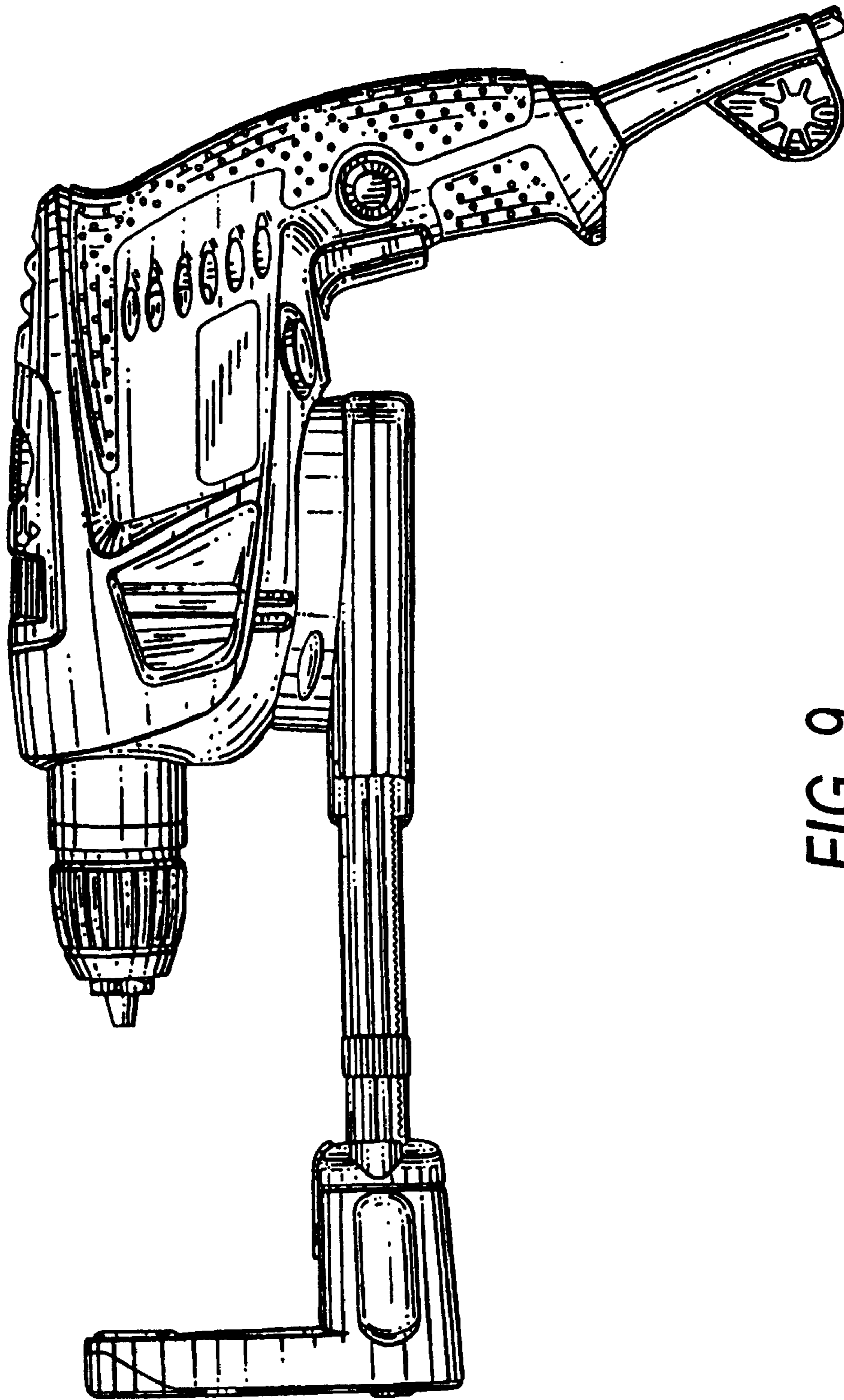


FIG. 9

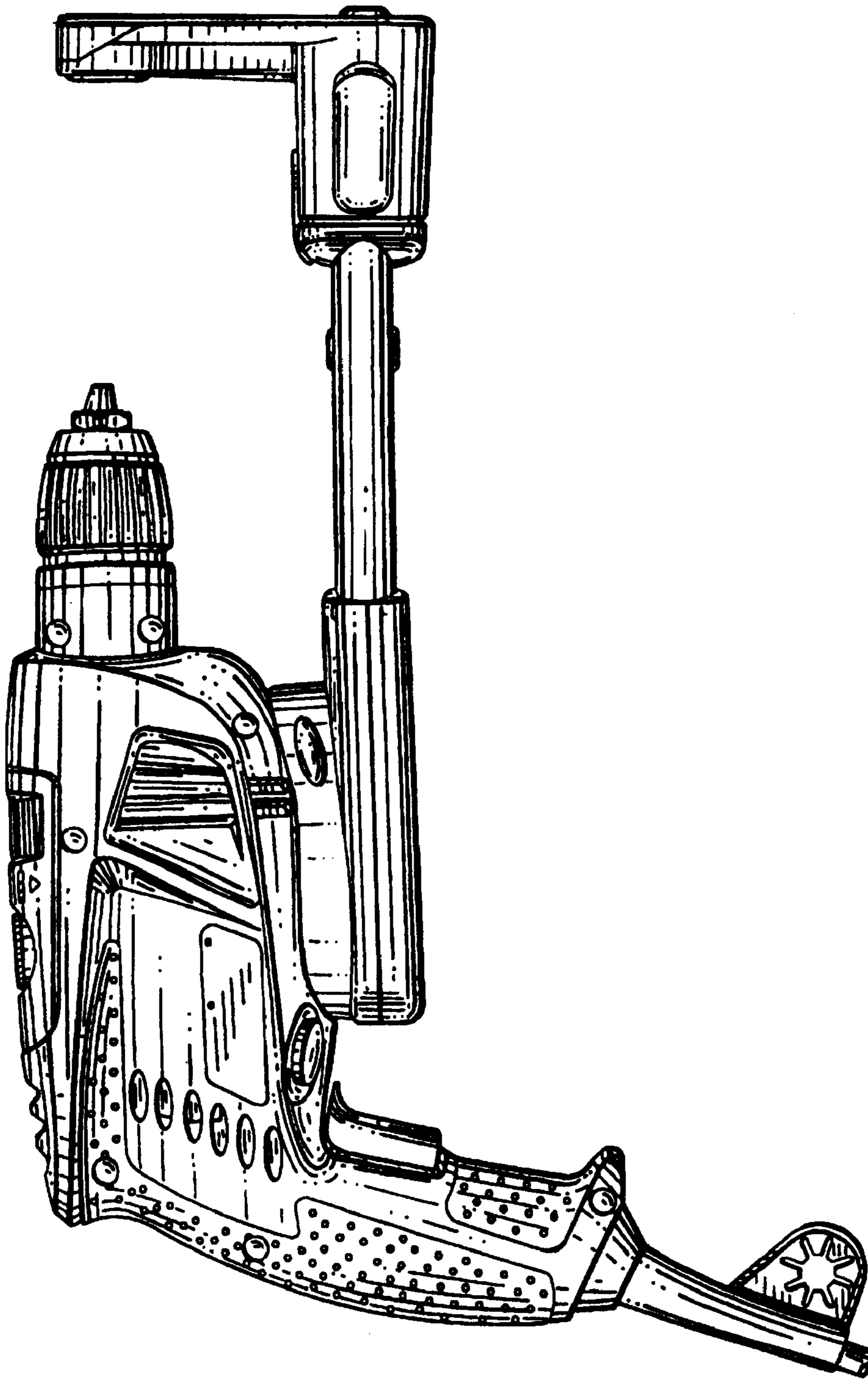


FIG. 10

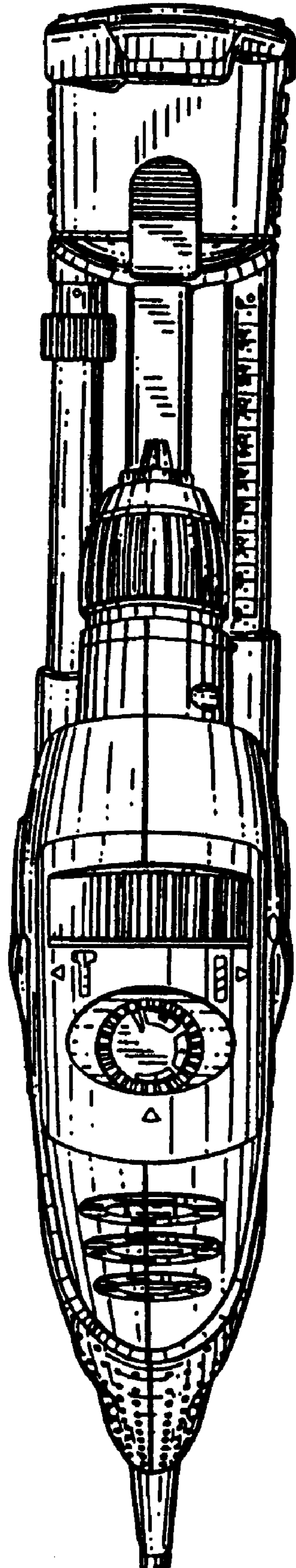


FIG. 11

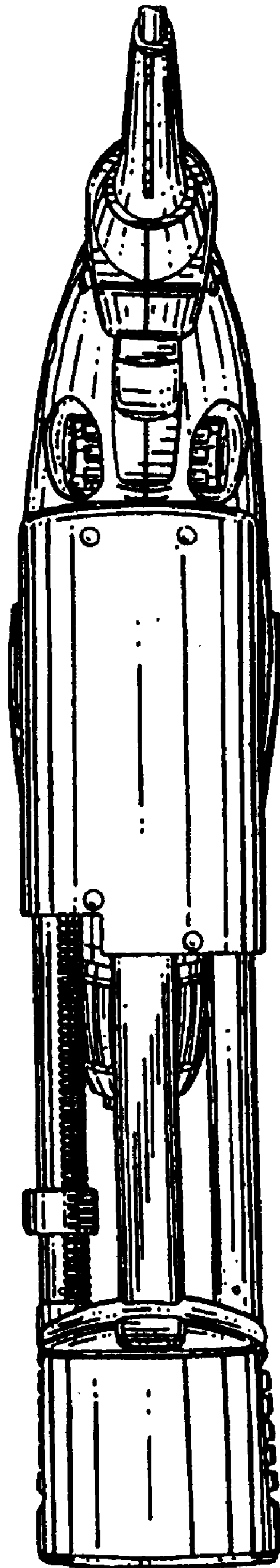


FIG. 12

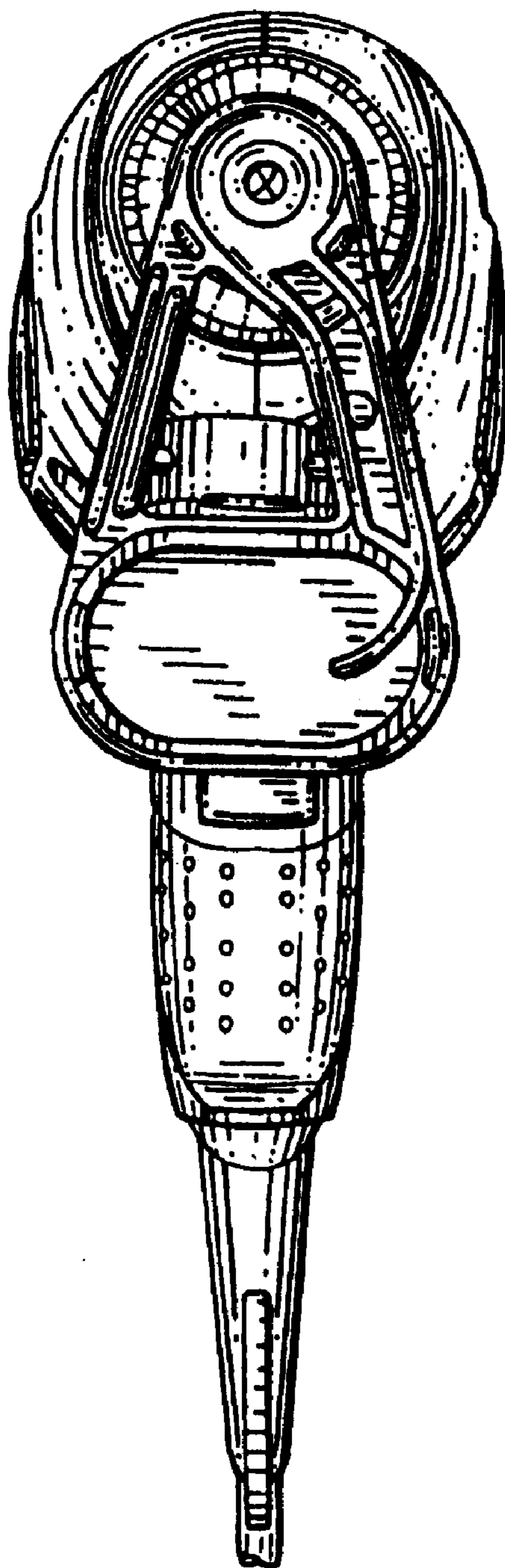


FIG. 13

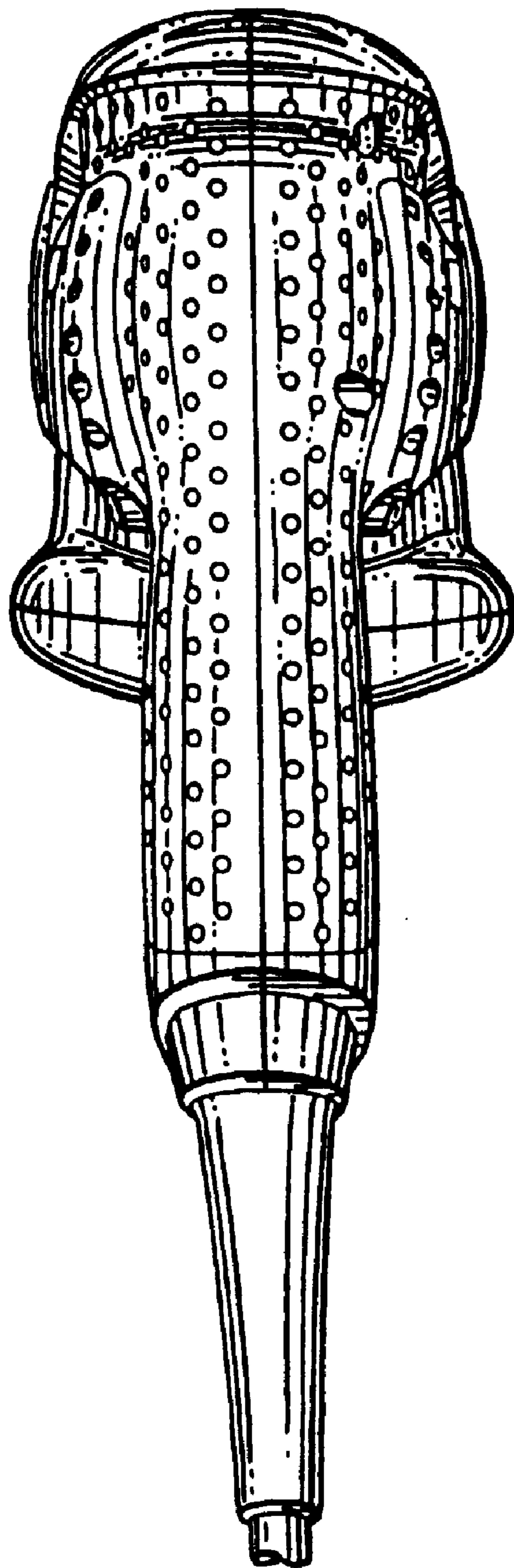


FIG. 14