



US00D538124S

(12) **United States Design Patent**  
**Yamamoto et al.**

(10) **Patent No.:** **US D538,124 S**

(45) **Date of Patent:** **\*\* Mar. 13, 2007**

(54) **PORTABLE ELECTRIC CIRCULAR SAW**

(75) Inventors: **Yuji Yamamoto, Anjo (JP); Toshiyuki Kani, Anjo (JP)**

(73) Assignee: **Makita Corporation, Anjo (JP)**

(\*\*) Term: **14 Years**

(21) Appl. No.: **29/261,174**

(22) Filed: **Jun. 9, 2006**

(30) **Foreign Application Priority Data**

Jan. 26, 2006 (JP) ..... 2006-001576

(51) **LOC (8) Cl.** ..... **08-03**

(52) **U.S. Cl.** ..... **D8/66**

(58) **Field of Classification Search** ..... D8/69,  
D8/68, 67, 66, 64, 61, 70; 83/698.41, 747;  
30/166.3, 374, 373, 375, 376, 391, 377, 390,  
30/388, 389; 125/13.01; 144/218

See application file for complete search history.

(56) **References Cited**

**U.S. PATENT DOCUMENTS**

5,010,651	A	*	4/1991	Techter et al.	.....	303/76
D326,399	S	*	5/1992	Fushiya et al.	.....	D8/66
D329,363	S	*	9/1992	Sasaki et al.	.....	D8/66
D334,523	S	*	4/1993	Hoshino et al.	.....	D8/66
D378,488	S	*	3/1997	Ito et al.	.....	D8/66
5,832,614	A	*	11/1998	Gallagher et al.	.....	30/391
5,911,482	A	*	6/1999	Campbell et al.	.....	30/390
6,167,626	B1	*	1/2001	Doumani et al.	.....	30/124
D453,099	S	*	1/2002	Welsh	.....	D8/66

D460,672	S	*	7/2002	Pretzell	.....	D8/66
D466,385	S	*	12/2002	Shigo et al.	.....	D8/66
D474,952	S	*	5/2003	Andriolo	.....	D8/66
6,612,038	B2	*	9/2003	Onose et al.	.....	30/391
D488,977	S	*	4/2004	Evans	.....	D8/66
D500,438	S	*	1/2005	Andriolo	.....	D8/66
D501,777	S	*	2/2005	Wu	.....	D8/66
D502,373	S	*	3/2005	Wu	.....	D8/66
D503,878	S		4/2005	Tillman et al.		
D514,411	S	*	2/2006	Yuen et al.	.....	D8/66
D522,336	S	*	6/2006	Waldron	.....	D8/66
2002/0002774	A1	*	1/2002	Onose et al.	.....	30/124
2003/0131484	A1	*	7/2003	Yoshida et al.	.....	30/376
2004/0107584	A1	*	6/2004	Yoshida et al.	.....	30/391

\* cited by examiner

*Primary Examiner*—Cathron C. Brooks

*Assistant Examiner*—Austin Murphy

(74) *Attorney, Agent, or Firm*—Oliff & Berridge, PLC

(57) **CLAIM**

The ornamental design for a portable electric circular saw, as shown and described.

**DESCRIPTION**

FIG. 1 is a perspective view of top, front and right side of a portable electric circular saw showing our new design;

FIG. 2 is a front view thereof;

FIG. 3 is a rear view thereof;

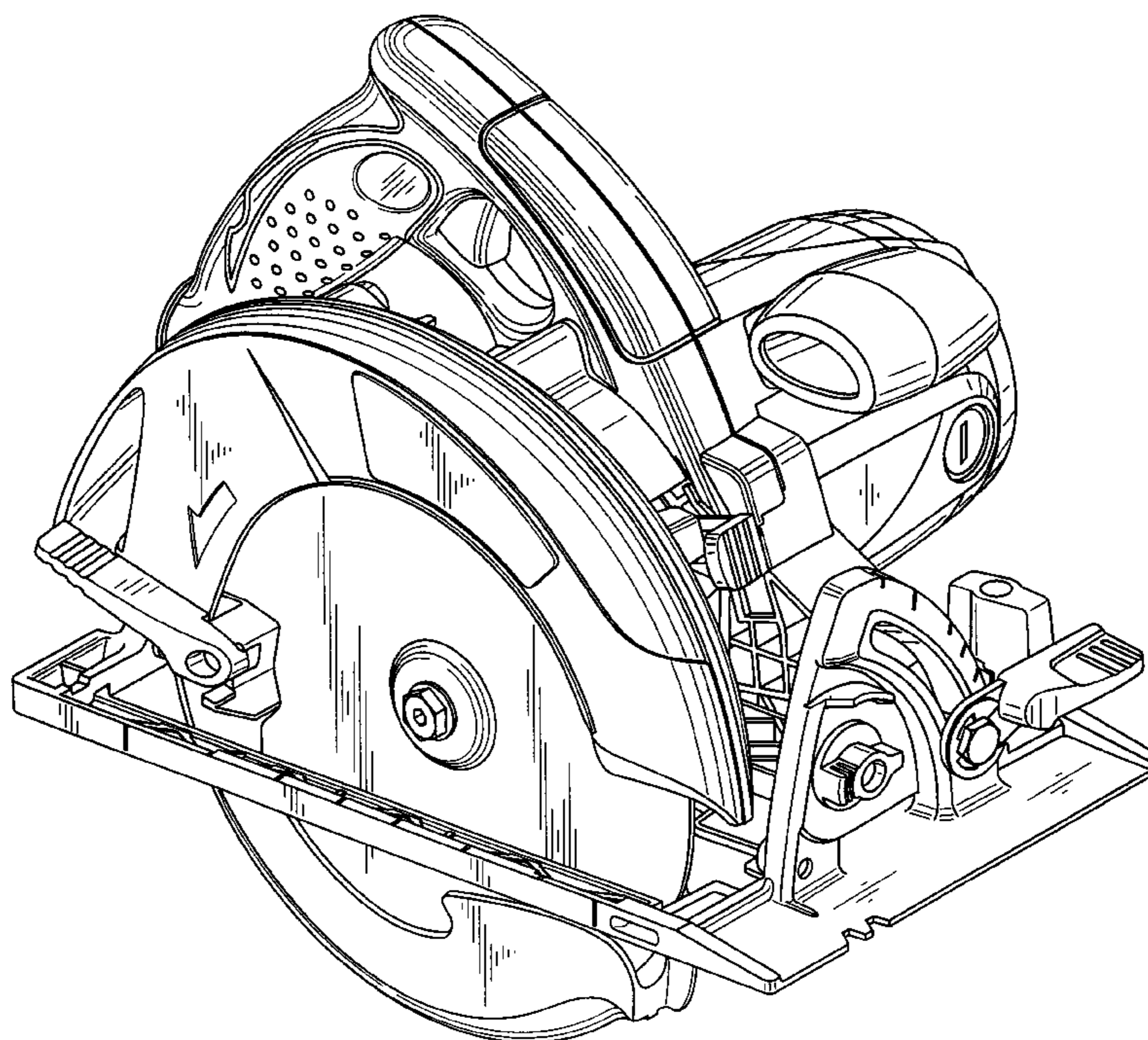
FIG. 4 is a top plan view thereof;

FIG. 5 is a bottom view thereof;

FIG. 6 is a left side view thereof; and,

FIG. 7 is a right side view thereof.

**1 Claim, 7 Drawing Sheets**



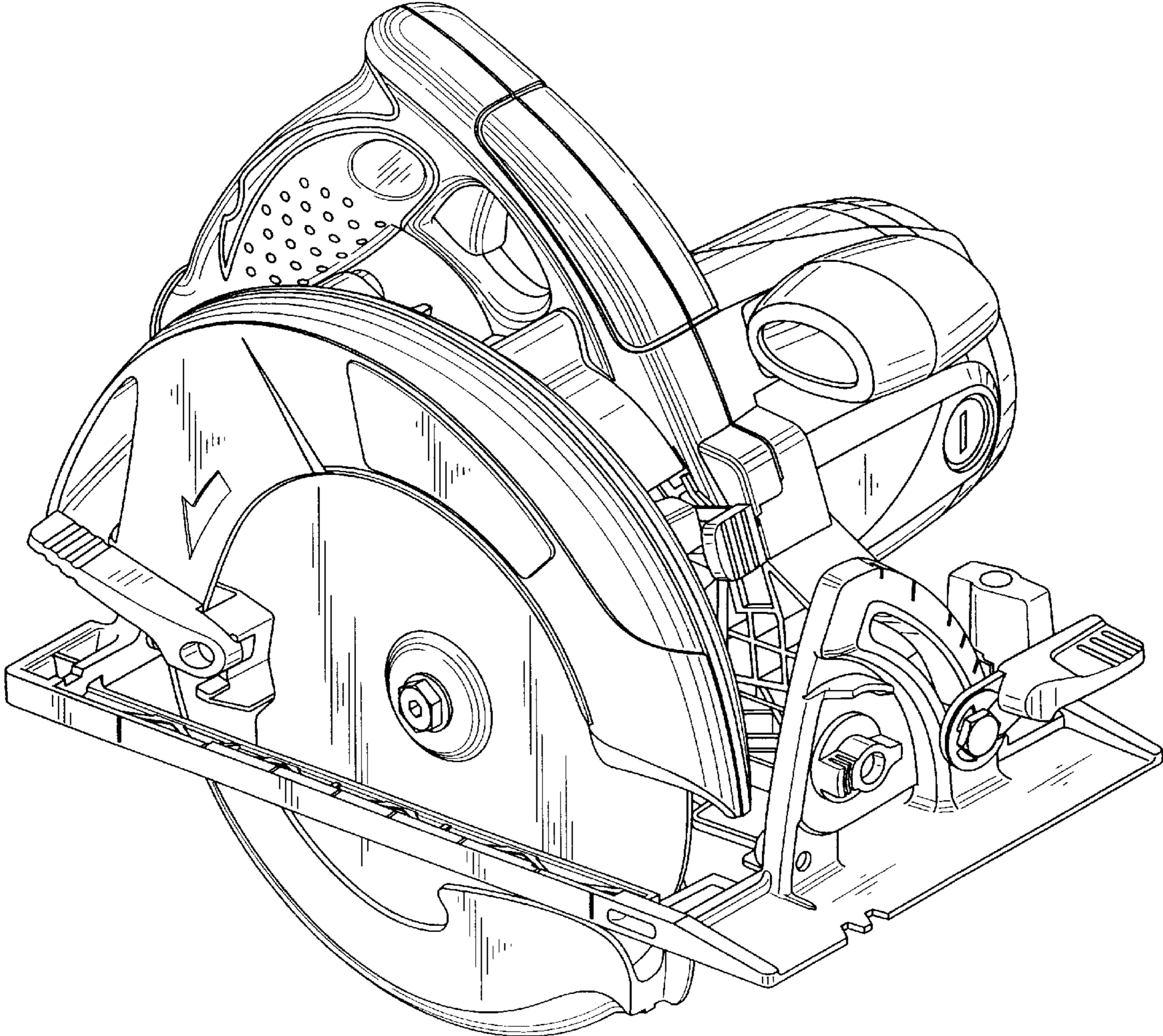


FIG. 1



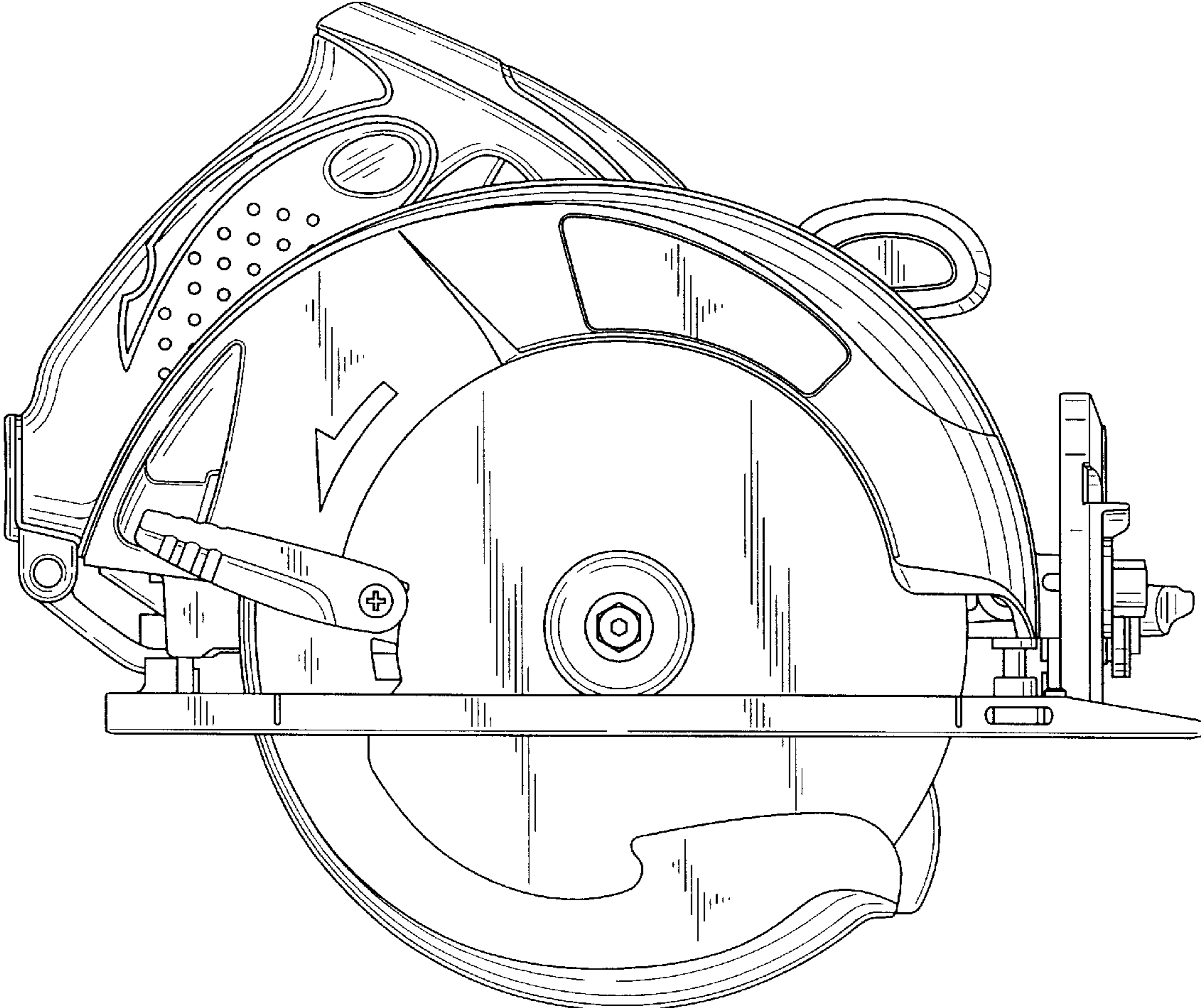


FIG. 2

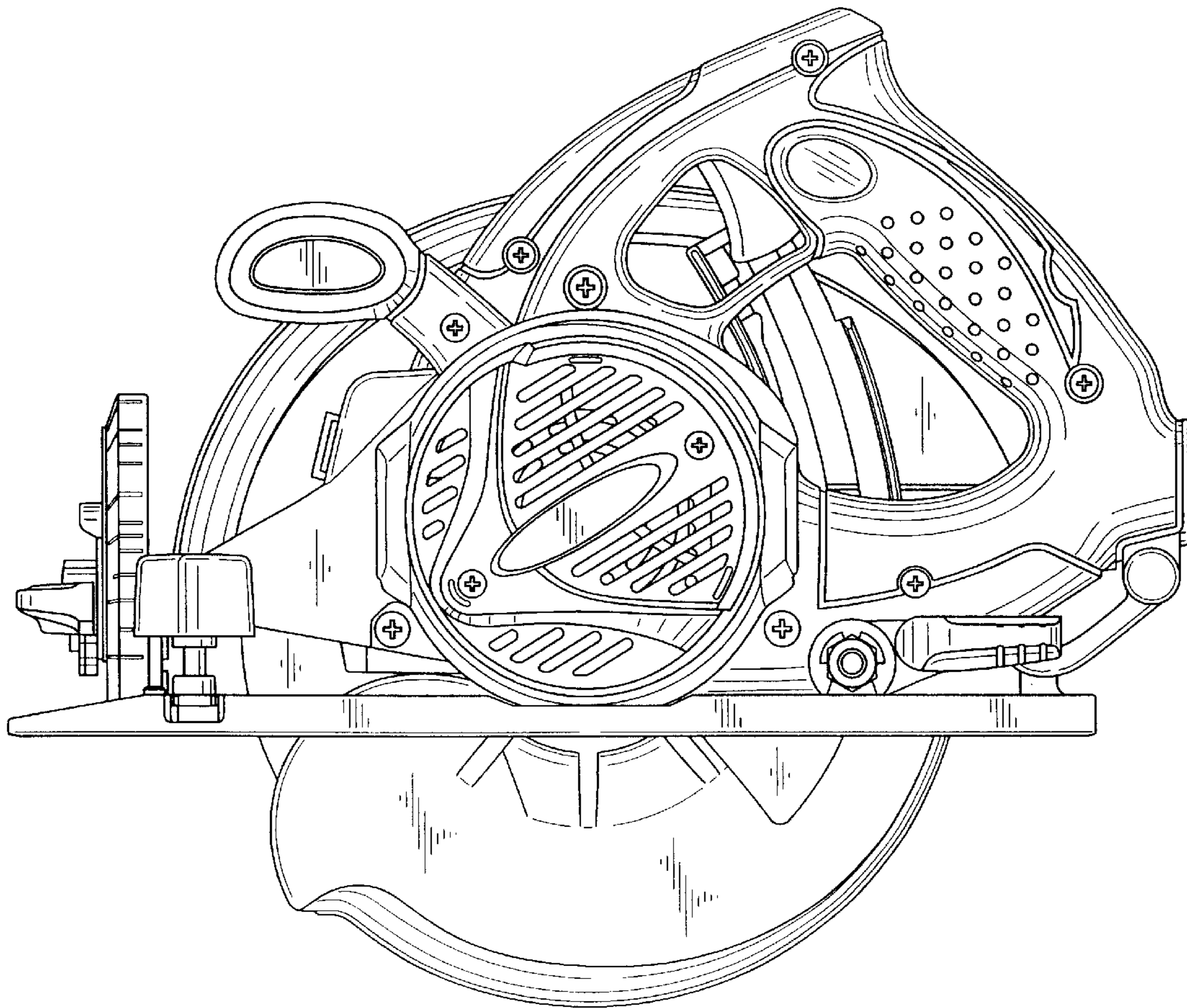


FIG. 3

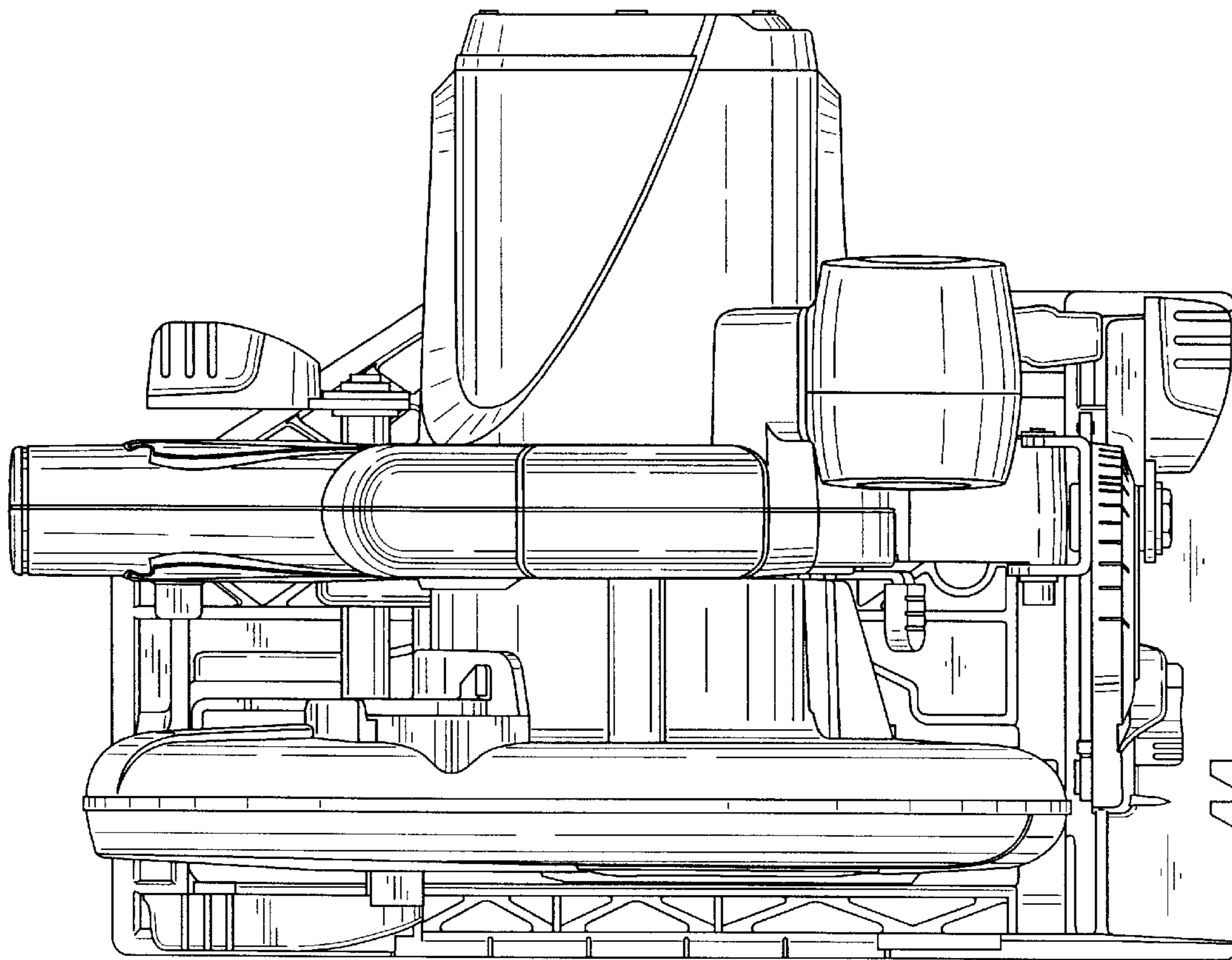


FIG. 4

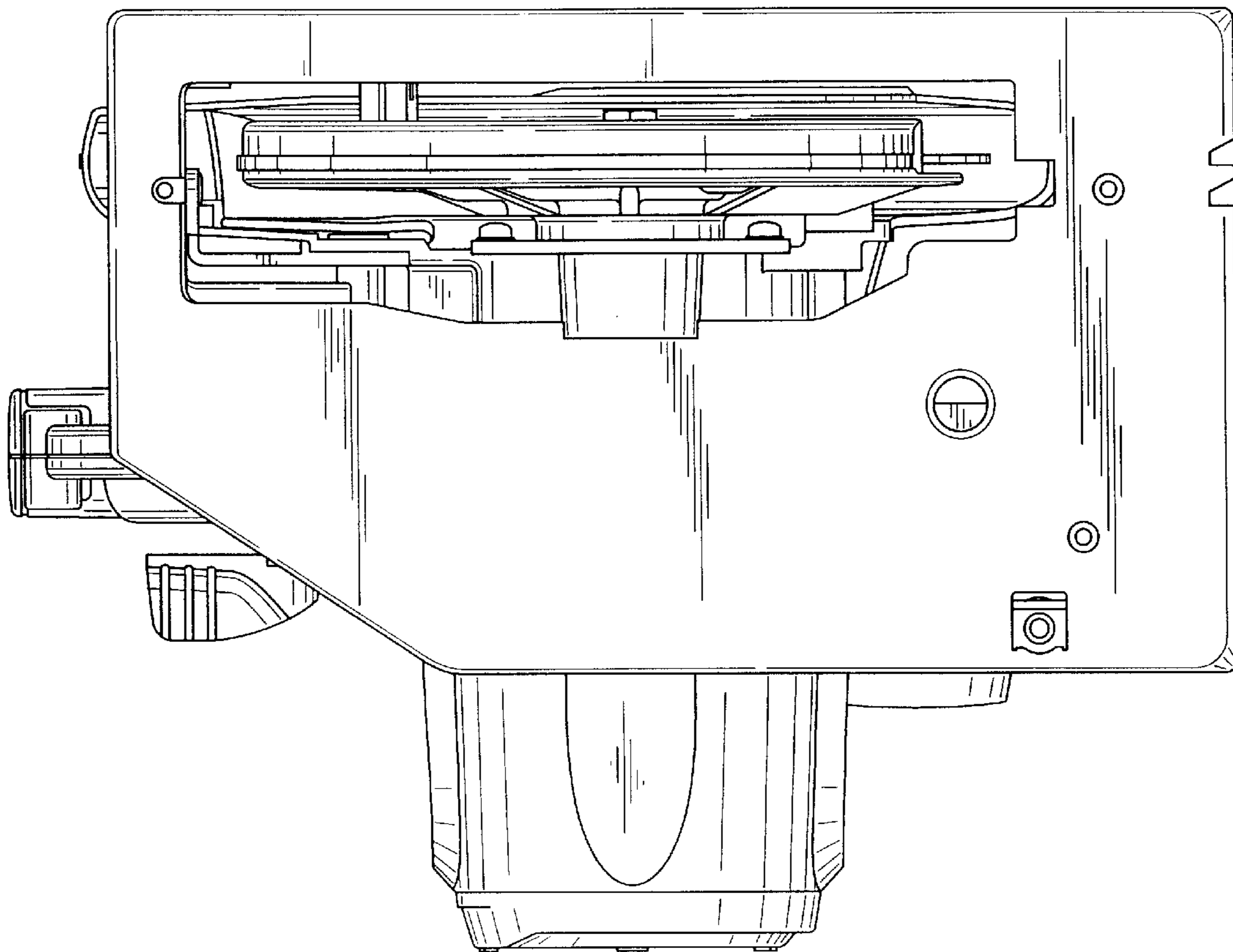
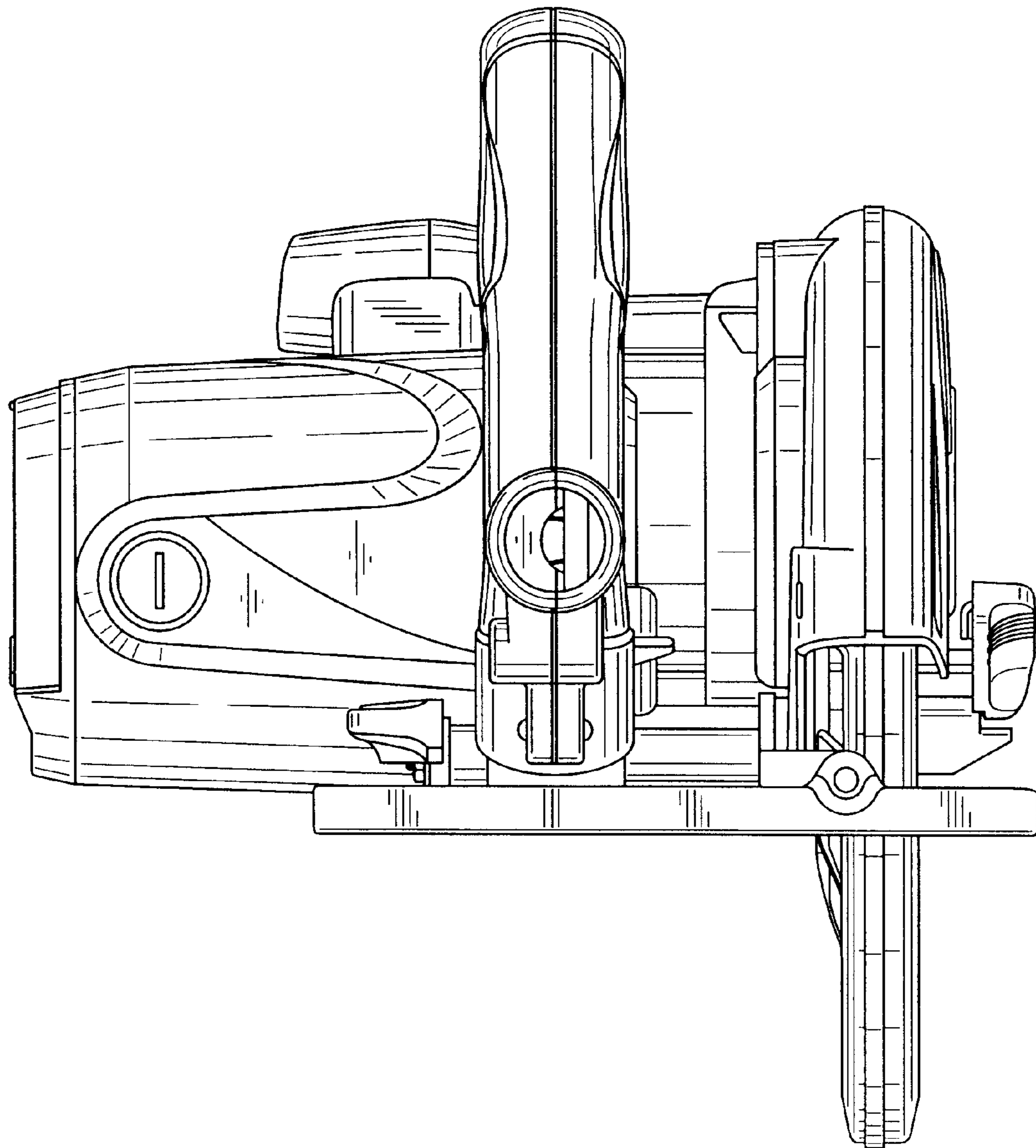
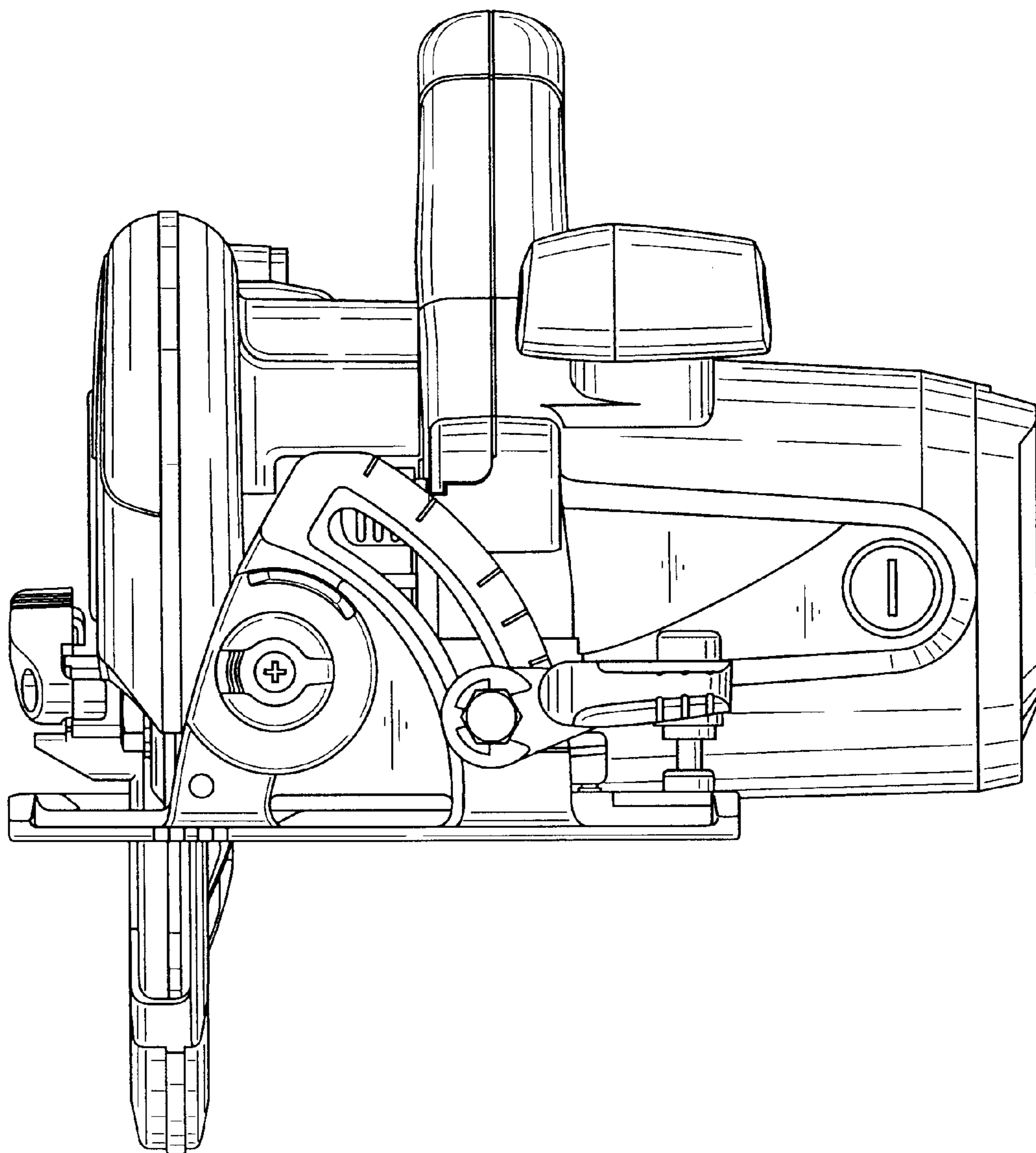


FIG. 5



*FIG. 6*





*FIG. 7*