



US00D538123S

(12) **United States Design Patent**
Yates

(10) **Patent No.:** **US D538,123 S**

(45) **Date of Patent:** **** Mar. 13, 2007**

(54) **CHAIN SAW**

(75) Inventor: **Adam Yates**, Newcastle-upon-Tyne
(GB)

(73) Assignee: **Black & Decker Inc.**, Newark, DE
(US)

(**) Term: **14 Years**

(21) Appl. No.: **29/240,902**

(22) Filed: **Oct. 20, 2005**

(51) **LOC (8) Cl.** **08-03**

(52) **U.S. Cl.** **D8/65**

(58) **Field of Classification Search** D8/7,
D8/8, 9, 68, 70, 65, 66, 67, 62, 63, 64, 61;
30/386, 383, 382, 371, 123; 125/21
See application file for complete search history.

(56) **References Cited**

U.S. PATENT DOCUMENTS

D237,352 S	*	10/1975	Shymkus	D8/65
4,365,416 A	*	12/1982	Overbury	30/382
D272,310 S	*	1/1984	Dynie et al.	D8/65
4,426,563 A	*	1/1984	Grogan	200/334
D273,456 S	*	4/1984	McDougall et al.	D8/65
D325,330 S	*	4/1992	Barnhill	D8/65
5,184,403 A	*	2/1993	Schliemann	30/123.4
D350,680 S	*	9/1994	Berfield et al.	D8/65
D365,262 S	*	12/1995	Beaulieu et al.	D8/65
D385,766 S	*	11/1997	Kondo et al.	D8/65
D389,026 S	*	1/1998	Amano et al.	D8/65

D408,247 S	*	4/1999	Juratovac et al.	D8/65
D408,700 S	*	4/1999	Juratovac et al.	D8/65
6,105,263 A	*	8/2000	Stones et al.	30/382
D445,657 S	*	7/2001	Jong	D8/65
D481,601 S	*	11/2003	Ashfield	D8/65
2002/0124421 A1	*	9/2002	Hermes et al.	30/386

* cited by examiner

Primary Examiner—Cathron C. Brooks

Assistant Examiner—Austin Murphy

(74) *Attorney, Agent, or Firm*—John Yun; Bruce S. Shapiro; Wesley W. Muller

(57) **CLAIM**

The ornamental design for a chain saw, as shown and described.

DESCRIPTION

FIG. 1 is a perspective view of a chain saw showing my new design.

FIG. 2 is a right side view of a chain saw according to FIG. 1.

FIG. 3 is a left side view of a chain saw according to FIG. 1.

FIG. 4 is a front view of a chain saw according to FIG. 1.

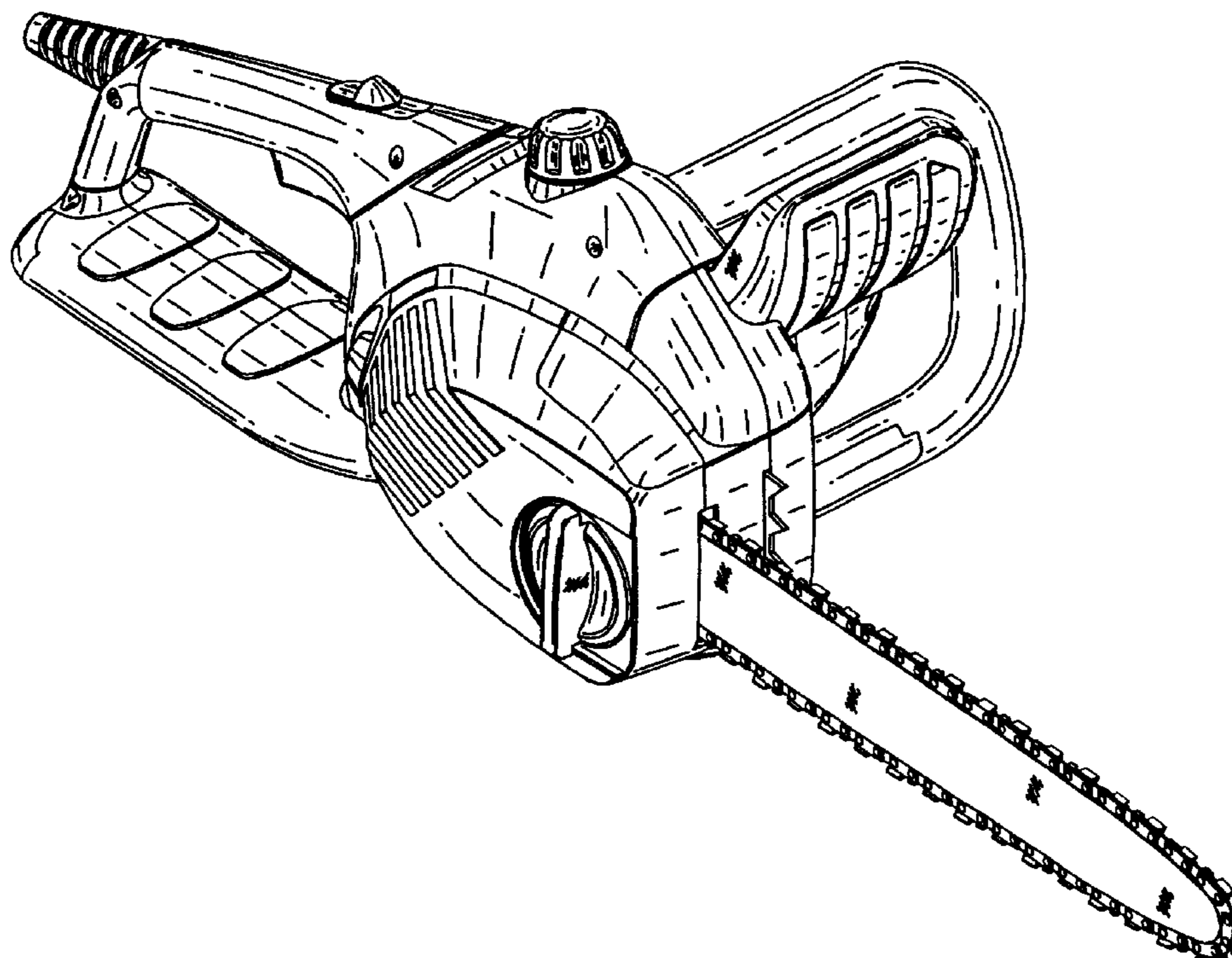
FIG. 5 is a rear view of a chain saw according to FIG. 1.

FIG. 6 is a bottom view of a chain saw according to FIG. 1; and,

FIG. 7 is a top view of a chain saw according to FIG. 1.

In the above drawings the broken lines and the areas within the broken lines form no part of the claimed design.

1 Claim, 6 Drawing Sheets



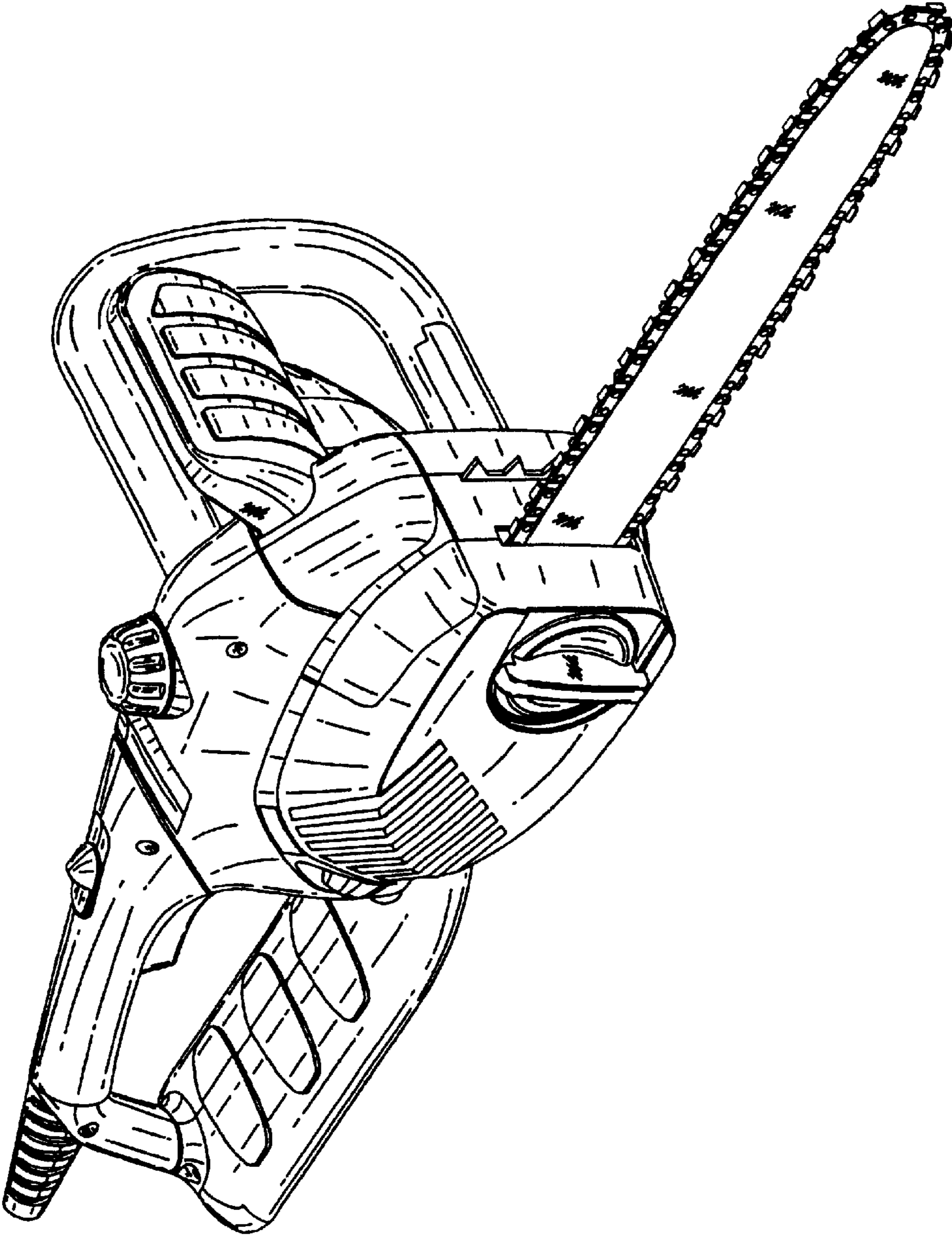


FIG. 1

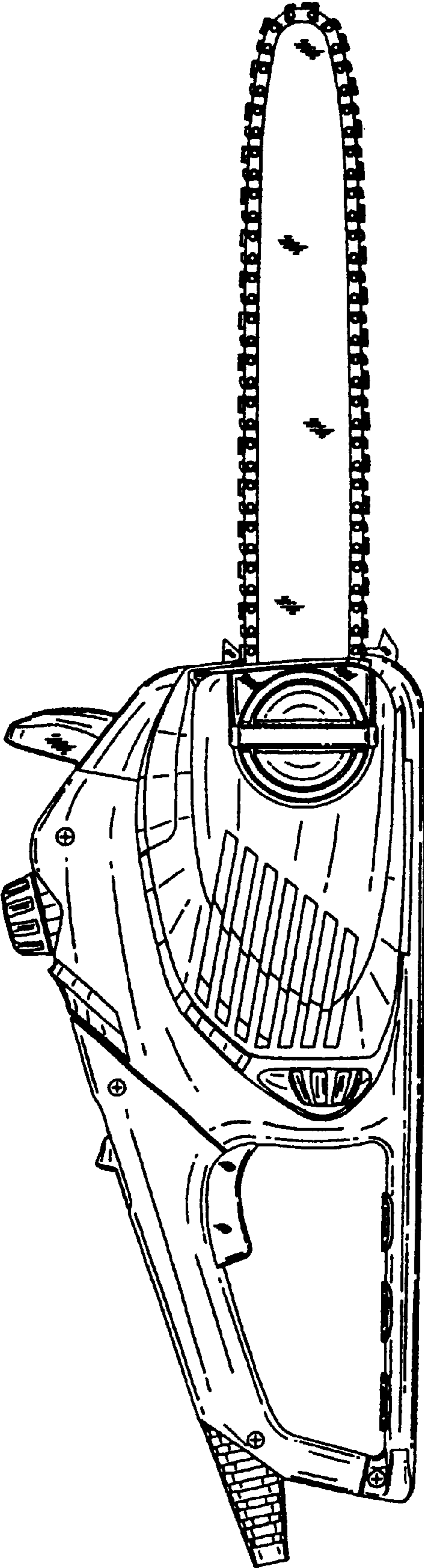


FIG. 2

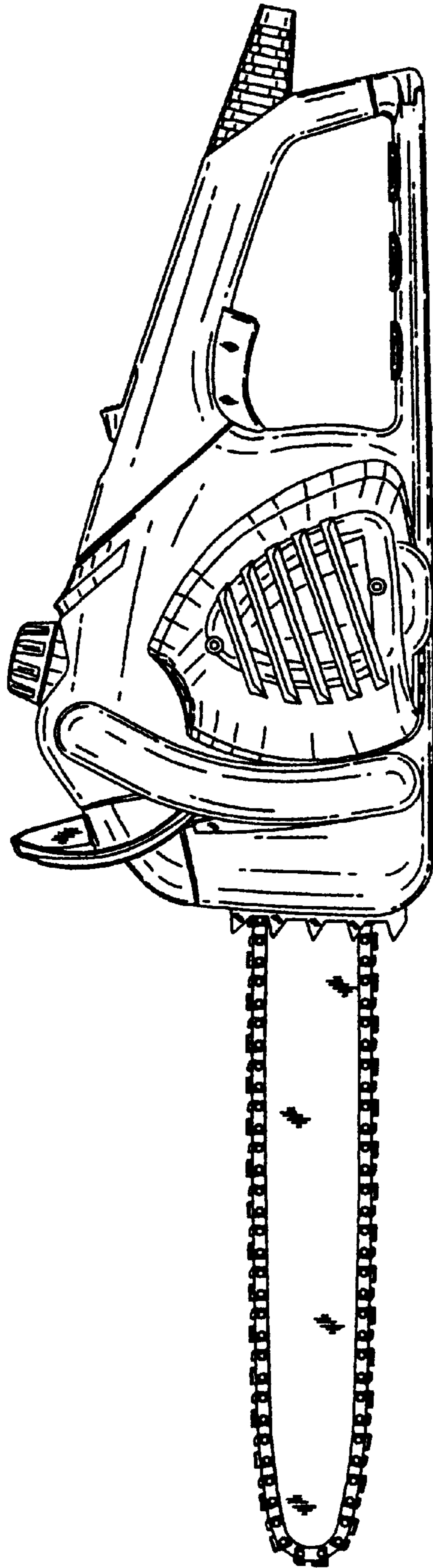


FIG. 3

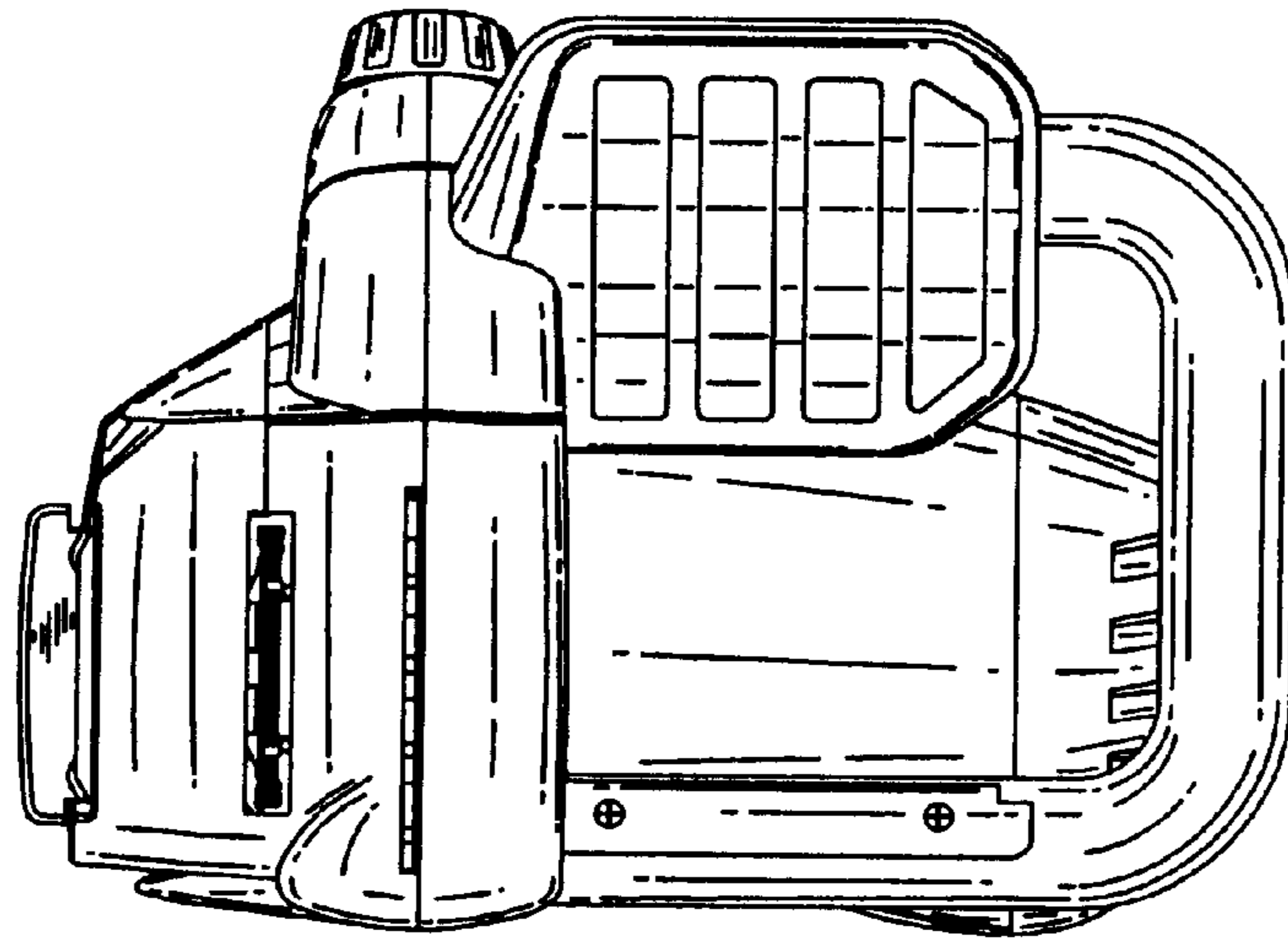


FIG. 4

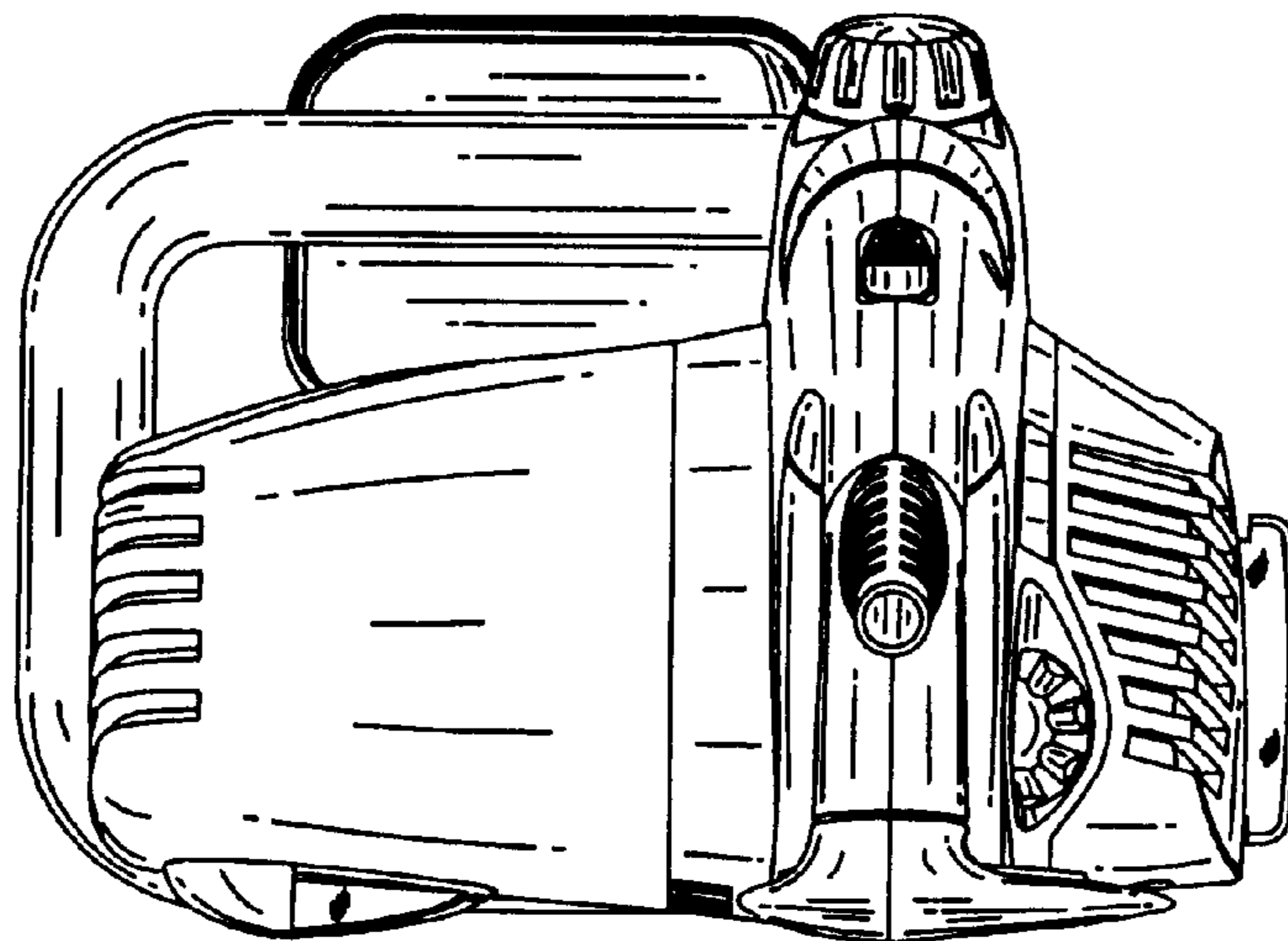


FIG. 5

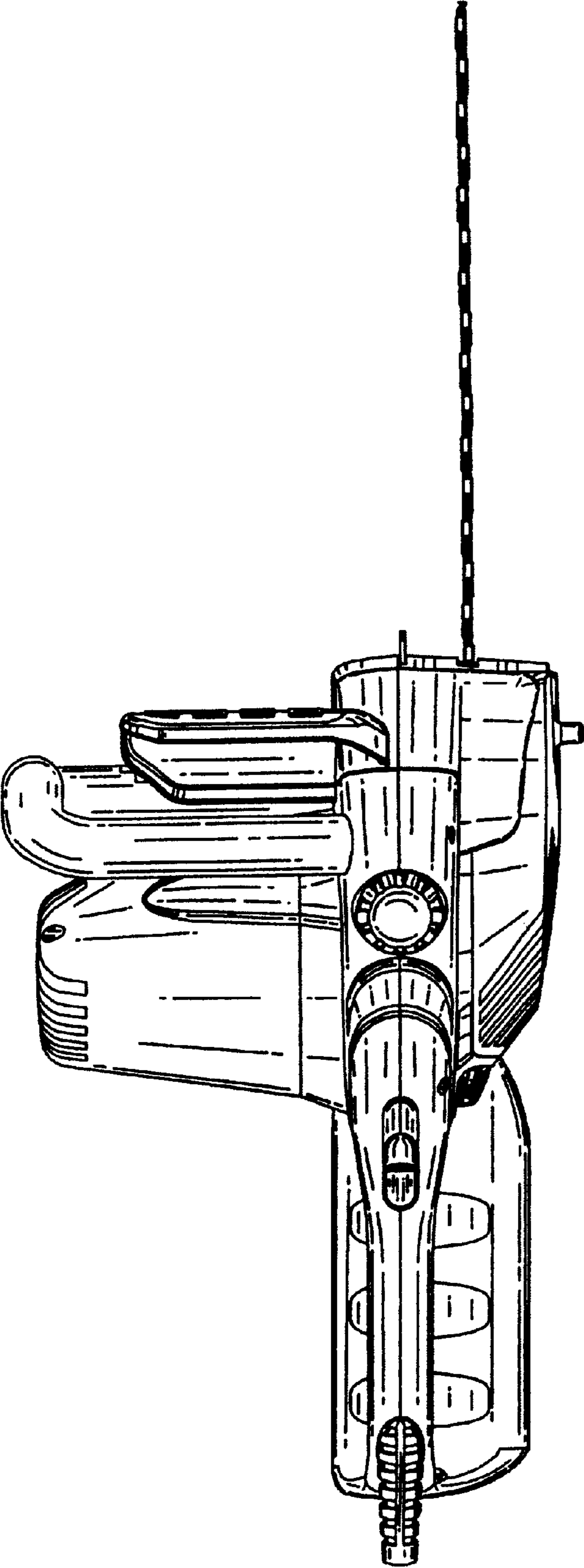


FIG. 6

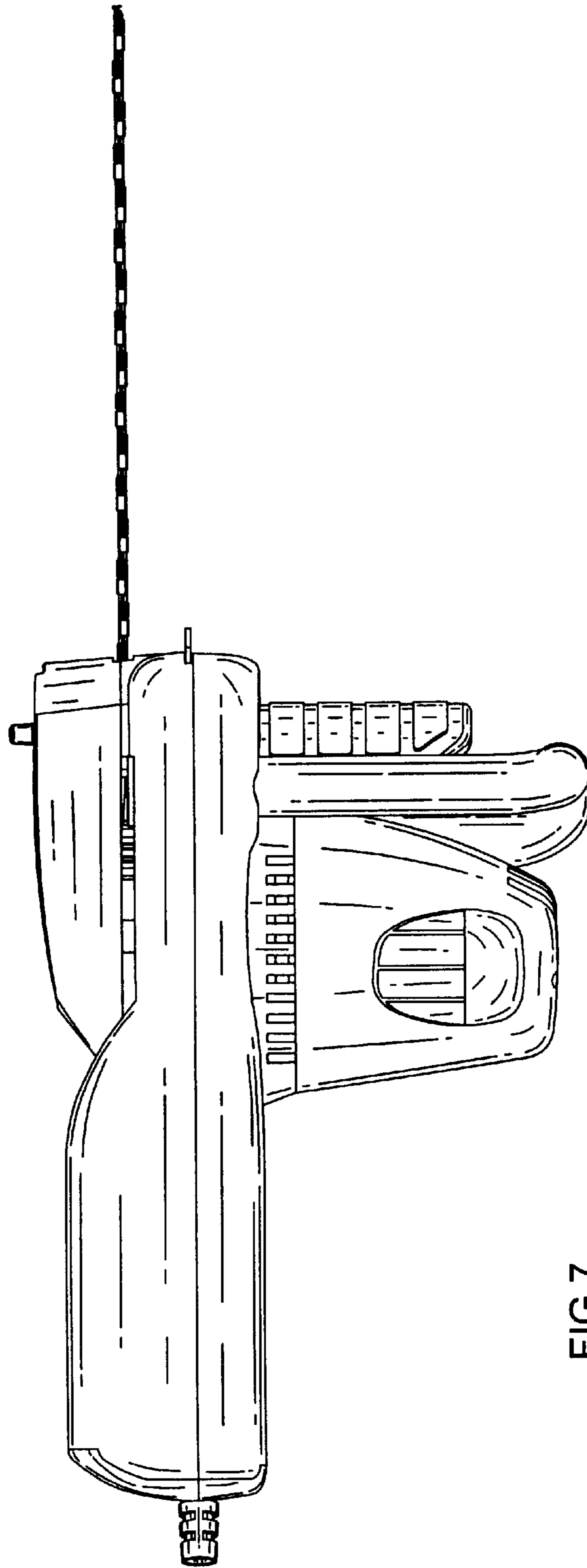


FIG.7