



US00D538122S

(12) **United States Design Patent**  
**Etter et al.**

(10) **Patent No.:** **US D538,122 S**  
(45) **Date of Patent:** **\*\* Mar. 13, 2007**

- (54) **SANDER**
  - (75) Inventors: **Mark A. Etter**, Independence, MO (US); **Chad W. Hanson**, Jackson, TN (US); **Ginger L. Allen**, Medina, TN (US); **Betty L. Cooper**, Atwood, TN (US); **R. Marcus Mansfield**, McKenzie, TN (US); **Gregory K. Griffin**, Humboldt, TN (US)
  - (73) Assignee: **Black & Decker Inc.**, Newark, DE (US)
  - (\*\*) Term: **14 Years**
  - (21) Appl. No.: **29/253,573**
  - (22) Filed: **Feb. 8, 2006**
  - (51) **LOC (8) Cl.** ..... **08-01**
  - (52) **U.S. Cl.** ..... **D8/62**
  - (58) **Field of Classification Search** ..... D8/67, D8/62, 61; D32/15, 17, 19; D4/102; 451/456, 451/451, 359, 358, 357, 356, 355, 354, 353, 451/351, 344
- See application file for complete search history.

5,941,765 A	8/1999	Taylor	
D448,262 S	9/2001	Heun	
6,394,884 B1	5/2002	Wuensch	
6,454,640 B1 *	9/2002	Siedler et al.	451/357
D468,178 S	1/2003	Wright et al.	
D468,608 S	1/2003	Wacker et al.	
D476,543 S	7/2003	Wu	
D478,488 S	8/2003	Bruno et al.	
6,699,111 B2 *	3/2004	Legner et al.	451/344
D488,365 S	4/2004	Liu	
6,726,553 B2	4/2004	Tiede et al.	
6,758,731 B2	7/2004	Dutterer et al.	
D497,297 S	10/2004	Wacker et al.	
D498,399 S	11/2004	Wu	
D503,600 S	4/2005	Bian	
6,890,247 B2	5/2005	Dende	
D507,731 S	7/2005	Robson	
D509,417 S	9/2005	Wikle et al.	
D509,722 S	9/2005	Wikle et al.	
D510,849 S	10/2005	Carlson et al.	
D526,549 S *	8/2006	Aglassinger	D8/62
D527,235 S *	8/2006	Aglassinger	D8/62
2002/0037681 A1	3/2002	Mayr et al.	
2003/0032381 A1	2/2003	Dutterer et al.	
2005/0003748 A1	1/2005	Dutterer et al.	

\* cited by examiner

*Primary Examiner*—Cathron C. Brooks  
*Assistant Examiner*—Austin Murphy  
(74) *Attorney, Agent, or Firm*—Joseph F. Key

(56) **References Cited**  
U.S. PATENT DOCUMENTS

2,767,527 A	10/1956	Tocci-Gullbert	
2,885,833 A	5/1959	Neff	
3,936,099 A	2/1976	Braun et al.	
D286,736 S	11/1986	Somers	
D310,007 S *	8/1990	Saito et al.	D8/62
D317,244 S	6/1991	Bunyea	
D323,963 S	2/1992	Bunyea	
D329,362 S	9/1992	Saito et al.	
5,206,967 A	5/1993	Fushiya et al.	
D345,089 S	3/1994	Kikuchi et al.	
D352,437 S	11/1994	Chunn et al.	
5,384,984 A	1/1995	Smith	
D376,304 S	12/1996	Clowers	
D380,950 S	7/1997	Gildersleeve et al.	
D386,376 S	11/1997	Kaneko et al.	
D392,861 S	3/1998	Gildersleeve et al.	
D408,245 S	4/1999	Evans et al.	

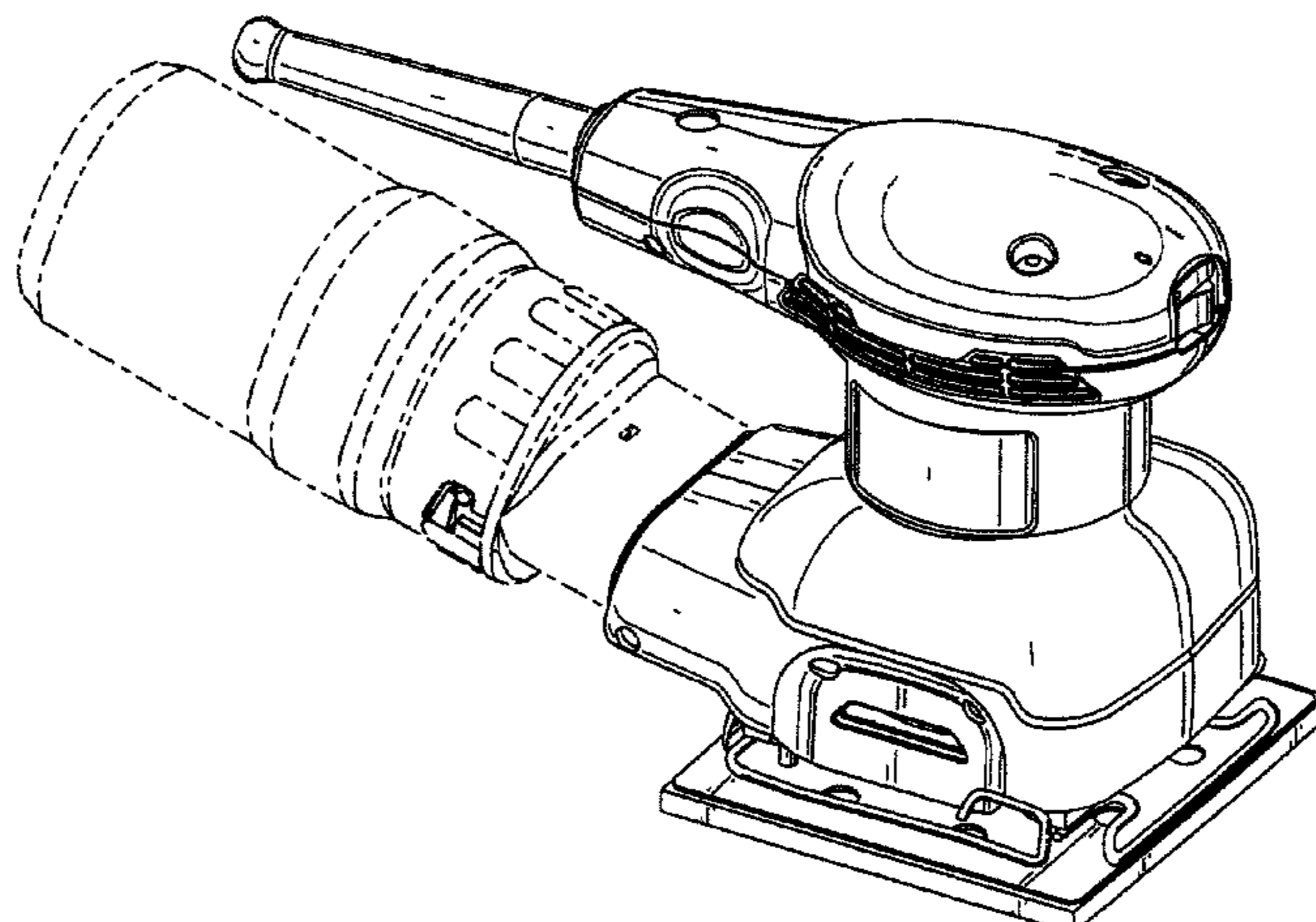
(57) **CLAIM**

The ornamental design for a sander, as shown and described.

**DESCRIPTION**

FIG. 1 is a perspective view of a sander.  
FIG. 2 is a front view thereof.  
FIG. 3 is a rear view thereof.  
FIG. 4 is a right side view thereof.  
FIG. 5 is a left side view thereof.  
FIG. 6 is top view thereof; and,  
FIG. 7 is a bottom view thereof.  
Any broken lines in the drawings are for illustrative purposes only and form no part of the claimed design.

**1 Claim, 6 Drawing Sheets**



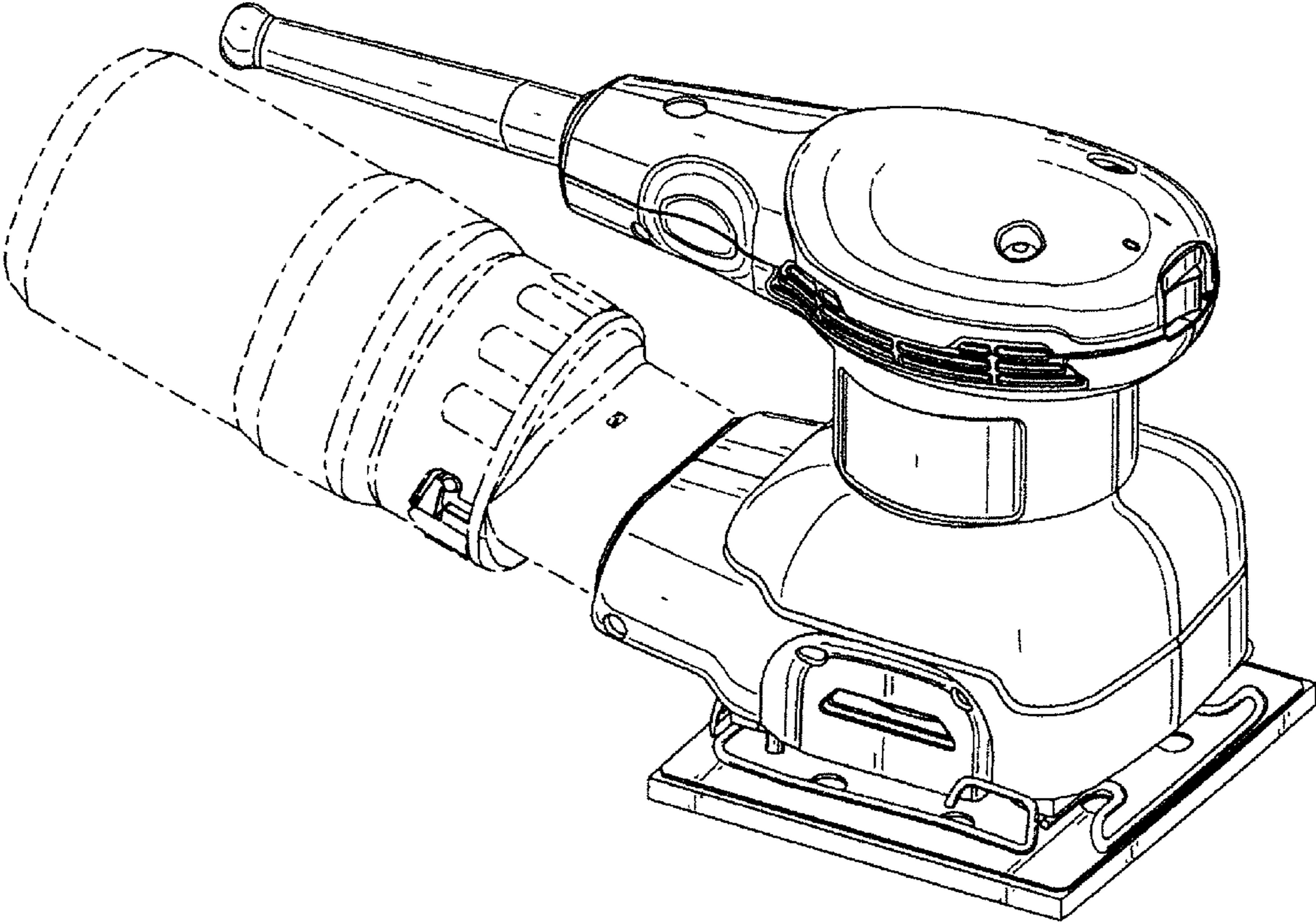


FIG. 1

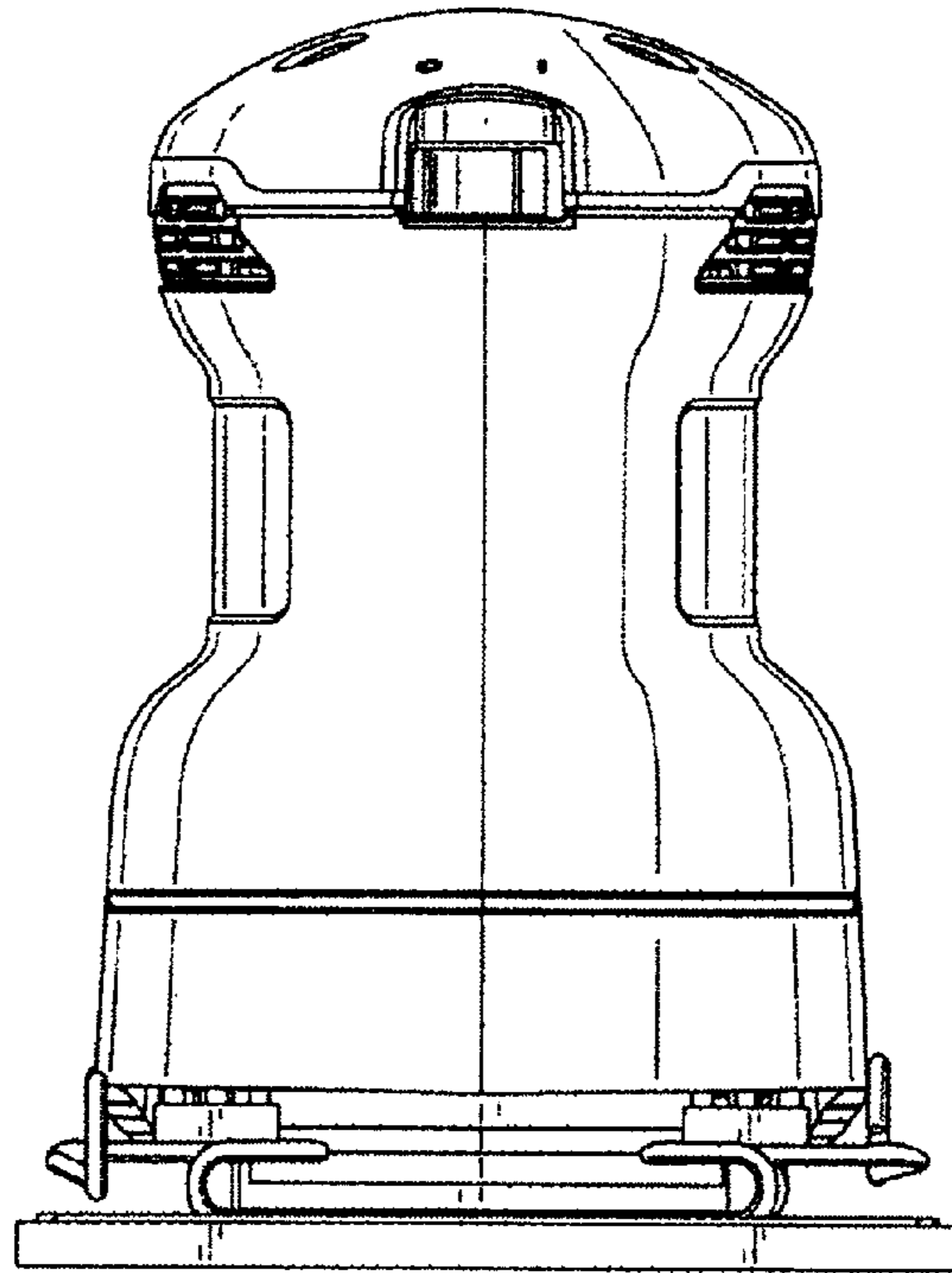


FIG. 2

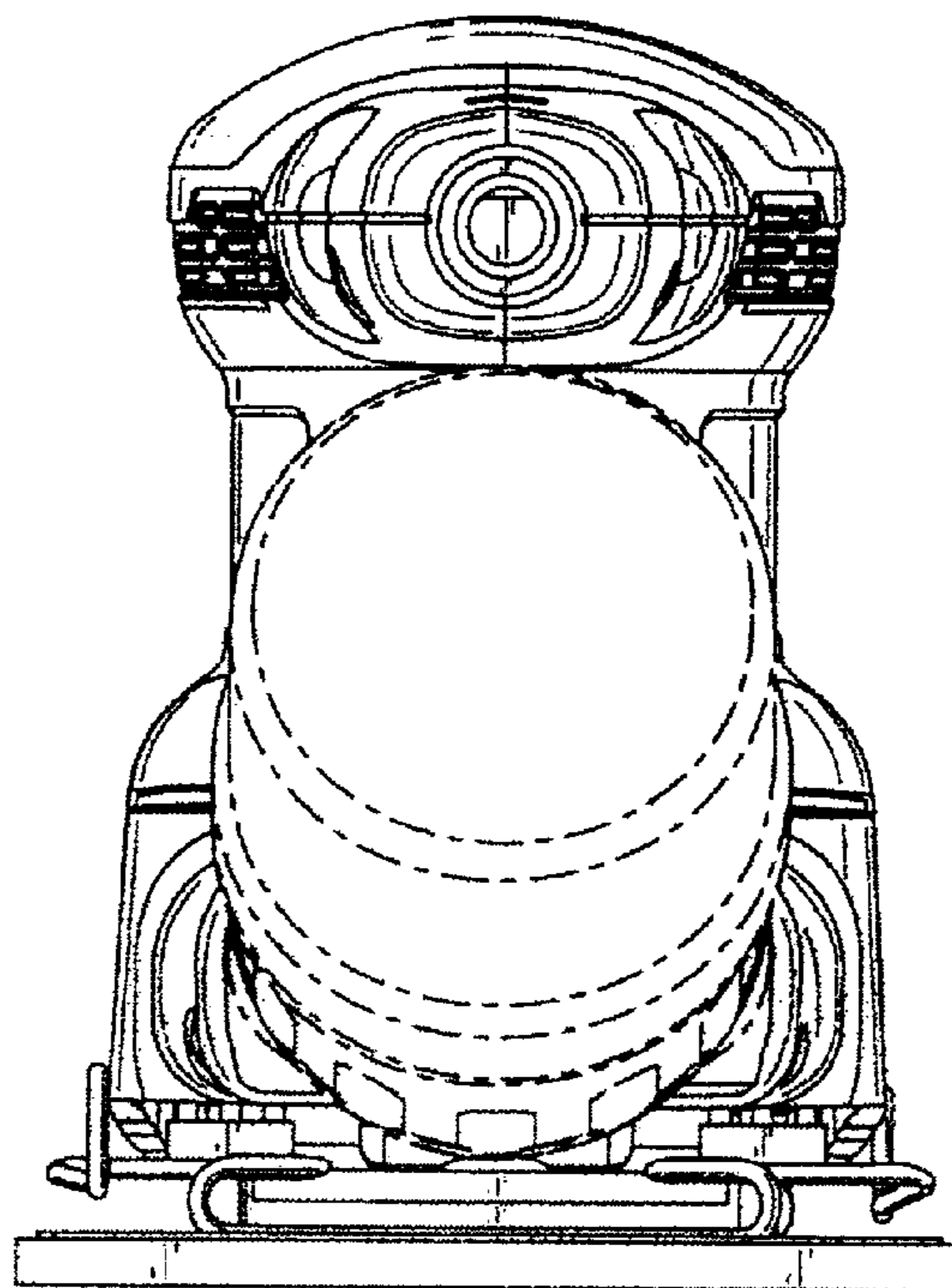


FIG. 3

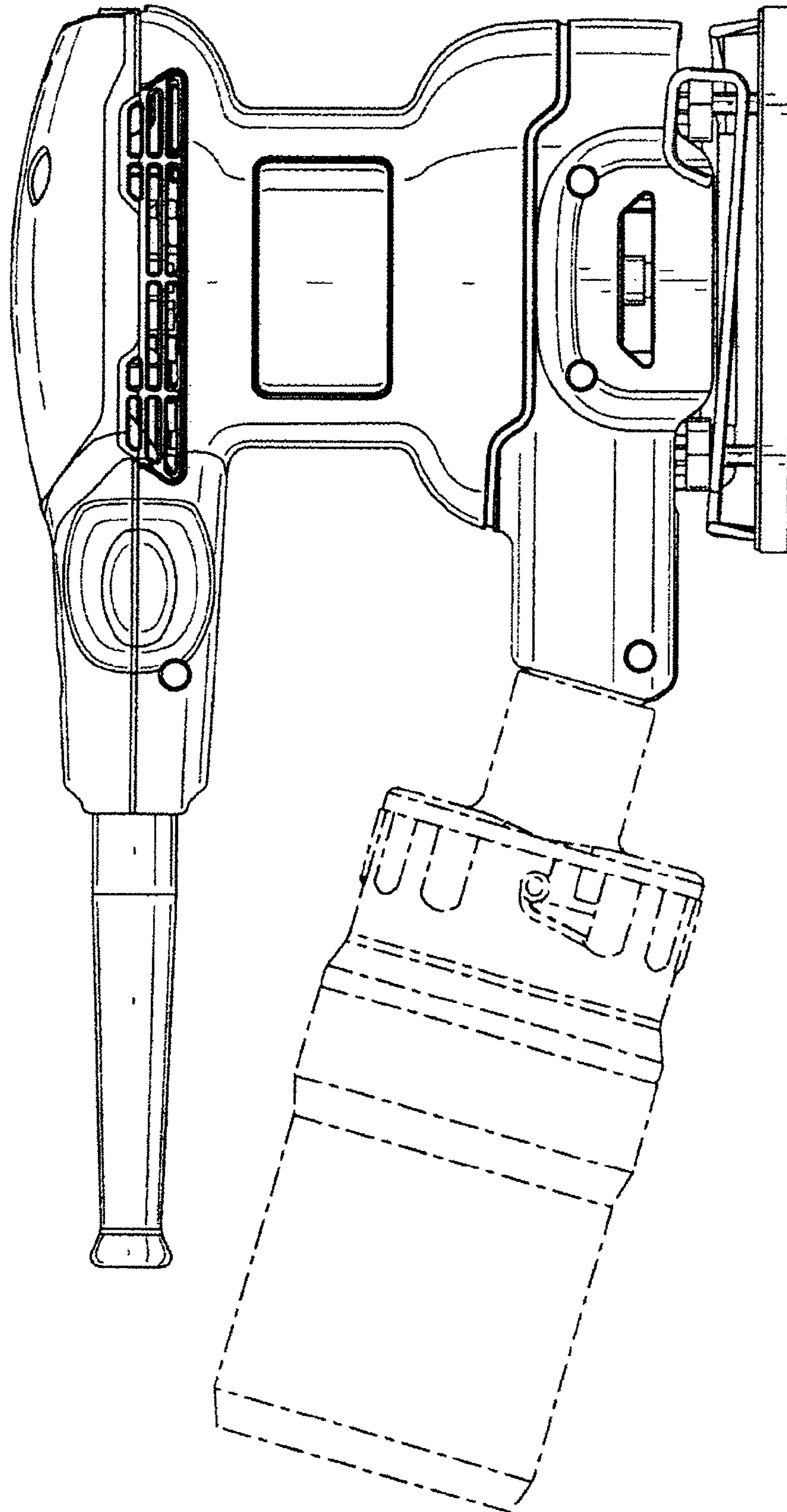


FIG. 4

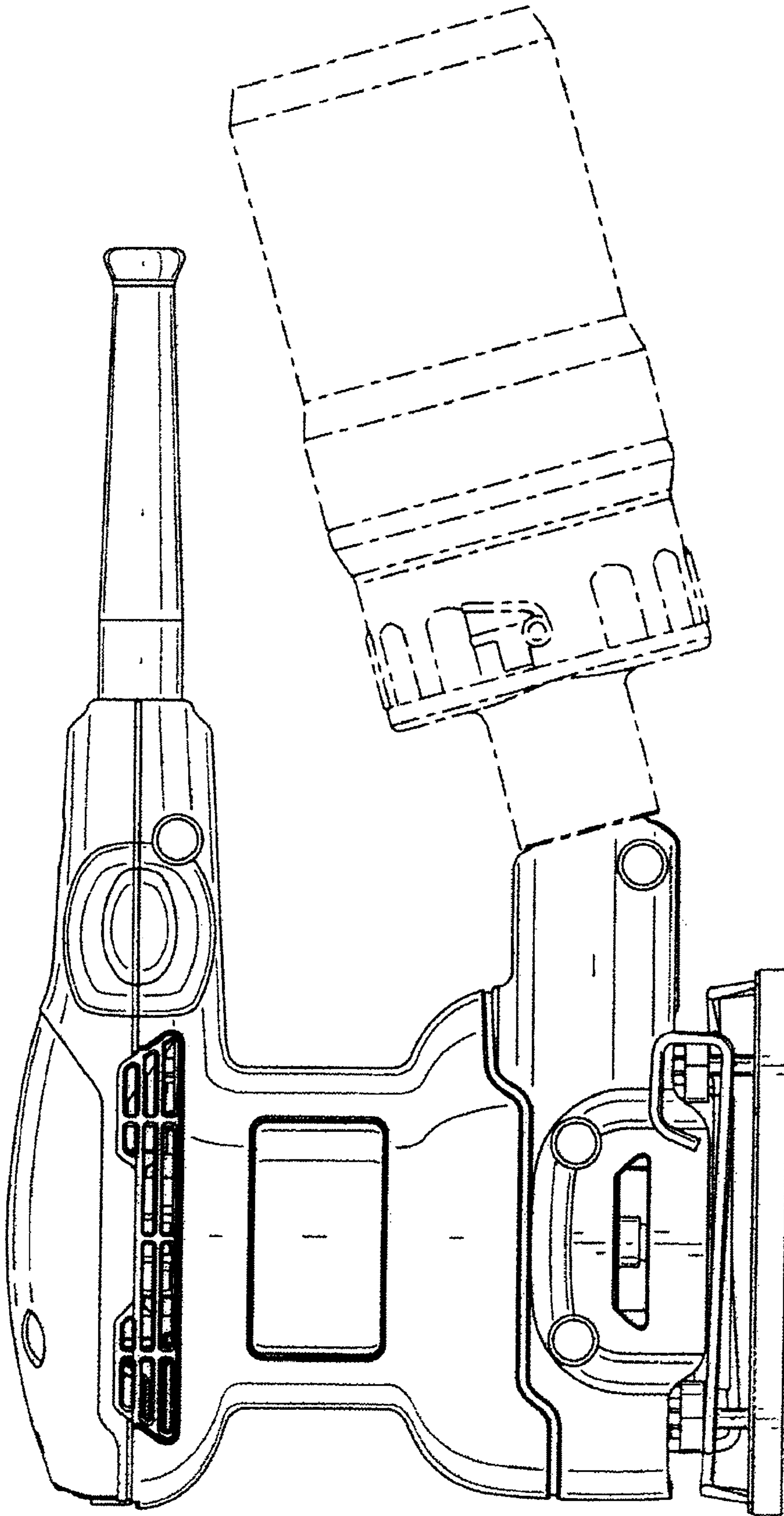


FIG. 5

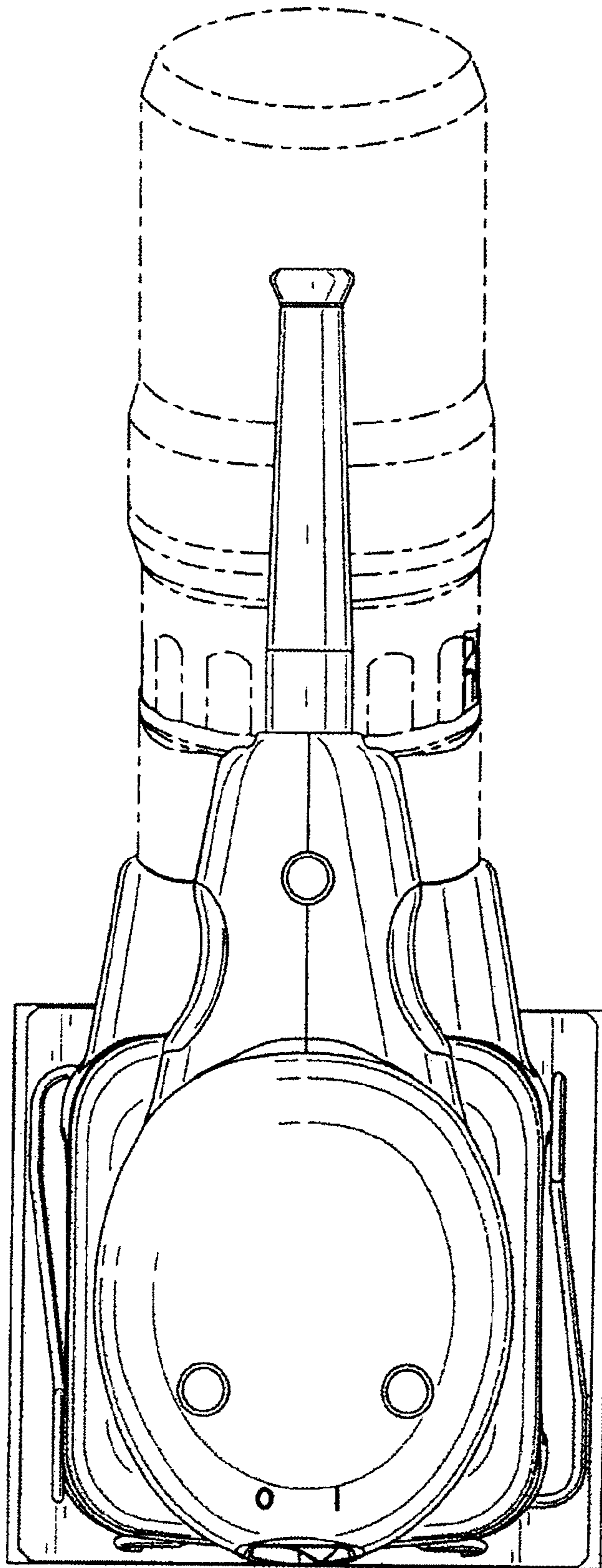


FIG. 6

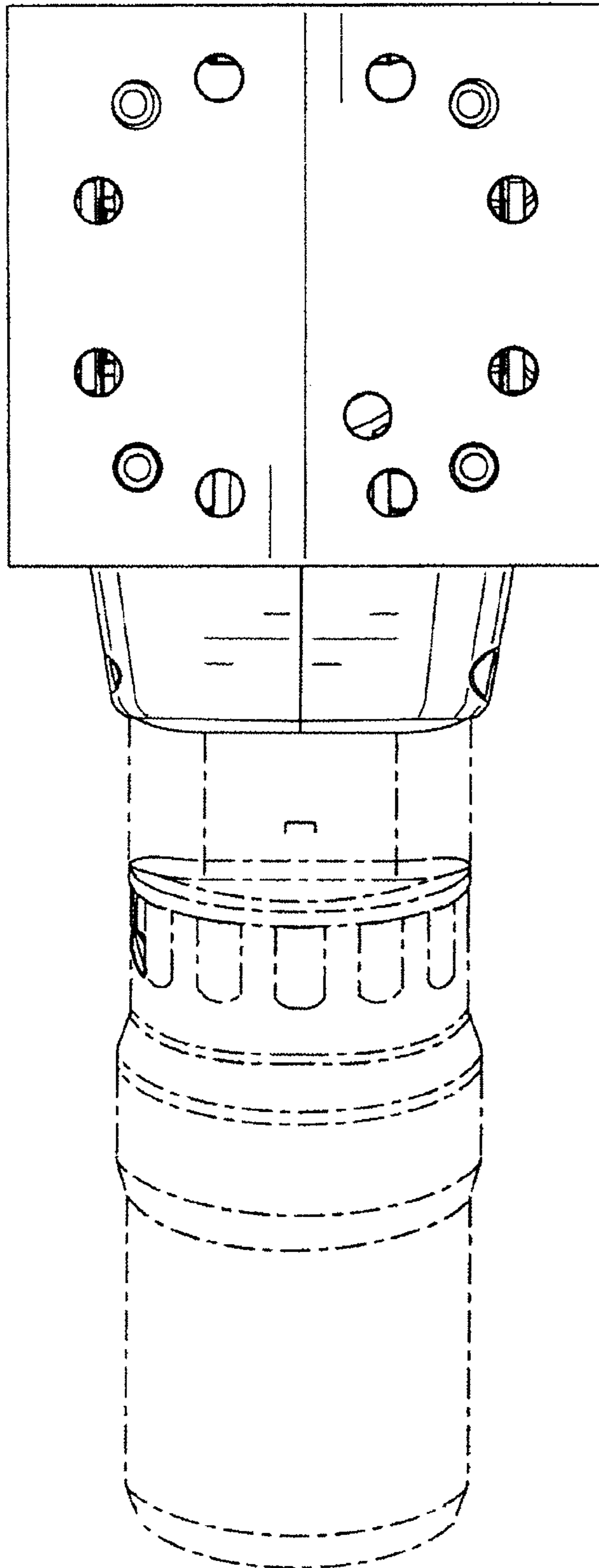


FIG. 7