



US00D538121S

(12) **United States Design Patent**  
**Seber et al.**

(10) **Patent No.:** **US D538,121 S**  
(45) **Date of Patent:** **\*\* Mar. 13, 2007**

(54) **PLIERS**

6,223,374 B1 \* 5/2001 Lin ..... 7/127  
6,256,923 B1 7/2001 Norton

(75) Inventors: **Brett P. Seber**, Escondido, CA (US);  
**Eric B. Carmichael**, Encinitas, CA  
(US)

(Continued)

(73) Assignee: **I.D.L. Tech Tools, LLC**, Summit, NJ  
(US)

*Primary Examiner*—Pamela J. Burgess  
(74) *Attorney, Agent, or Firm*—Lerner, David, Littenberg,  
Krumholz & Mentlik, LLP

(\*\*) **Term:** **14 Years**

(57) **CLAIM**

The ornamental design for pliers, as shown and described.

(21) Appl. No.: **29/252,494**

**DESCRIPTION**

(22) Filed: **Jan. 24, 2006**

(51) **LOC (8) Cl.** ..... **08-05**

(52) **U.S. Cl.** ..... **D8/52**

(58) **Field of Classification Search** ..... D8/5,  
D8/52–56, 98; 81/415–417, 489, 427.5; 16/110.1;  
30/251–252, 191–193, 230–231, 254, 283,  
30/248; 7/125–128

See application file for complete search history.

FIG. 1 is a front, perspective view of the claimed pliers in an open position;  
FIG. 2 is a left side elevational view thereof;  
FIG. 3 is a front elevational view thereof;  
FIG. 4 is a rear elevational view thereof;  
FIG. 5 is a top plan view thereof;  
FIG. 6 is a bottom plan view thereof;  
FIG. 7 is a perspective view of the pliers in a closed position;  
FIG. 8 is a left side elevational view of the pliers shown in FIG. 7;  
FIG. 9 is a front elevational view of the pliers shown in FIG. 7;  
FIG. 10 is a rear elevational view of the pliers shown in FIG. 7;  
FIG. 11 is a top plan view of the pliers shown in FIG. 7;  
FIG. 12 is a bottom plan view of the pliers shown in FIG. 7;  
FIG. 13 is a perspective view of a second embodiment of the subject pliers;  
FIG. 14 is a left elevational view of the pliers shown in FIG. 13;  
FIG. 15 is a front elevational view of the pliers shown in FIG. 13;  
FIG. 16 is a top plan view of the pliers shown in FIG. 13; and,  
FIG. 17 is a rear bottom plan view of the pliers shown in FIG. 13.

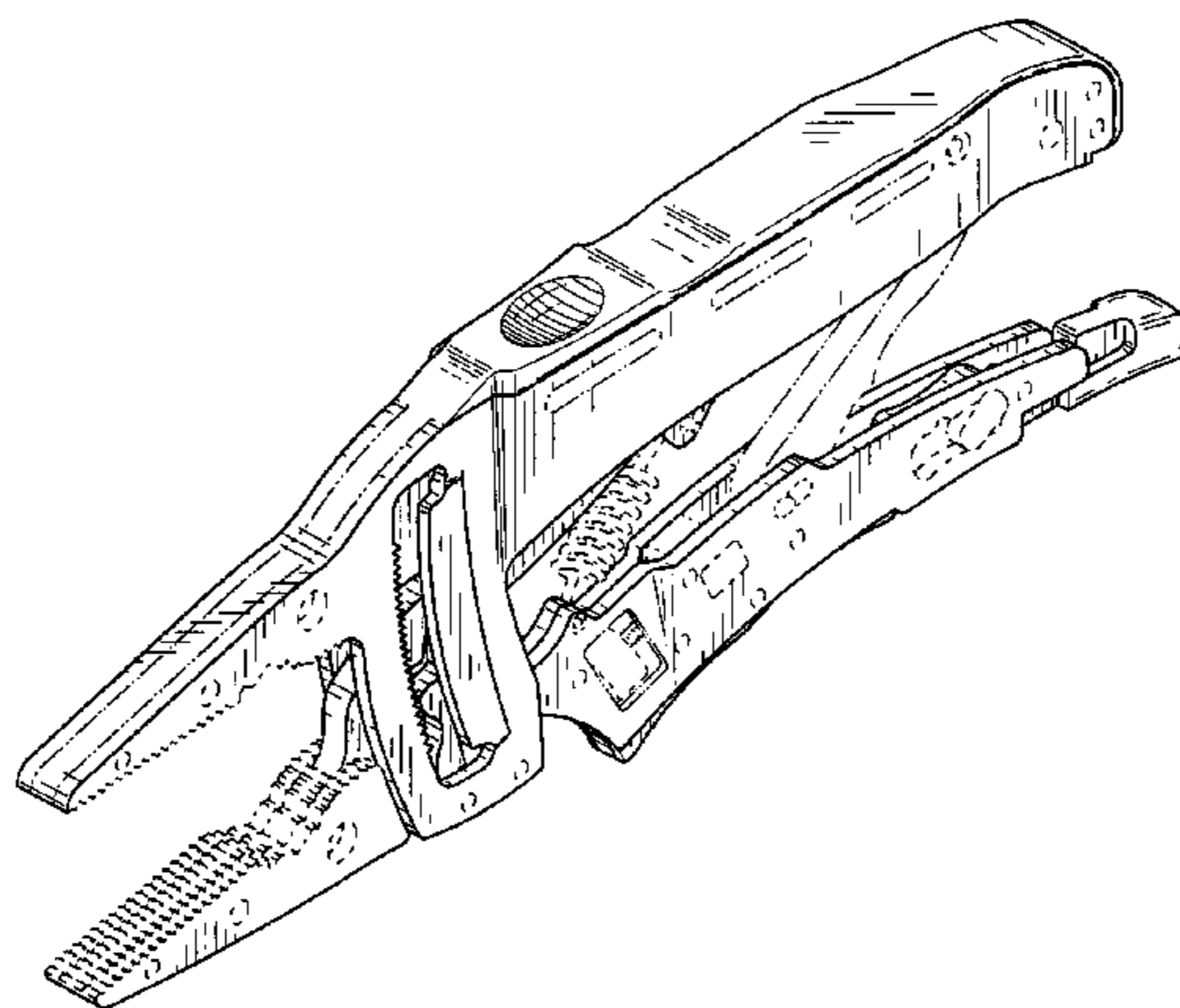
The broken lines shown in the drawings are for illustration purposes only and form no part of the designs sought to be patented.

(56) **References Cited**

**U.S. PATENT DOCUMENTS**

1,227,183	A	5/1917	Needham	
2,201,918	A	5/1940	Petersen	
D142,888	S	11/1945	Miller	
2,543,922	A	* 3/1951	Mead	81/369
2,592,803	A	4/1952	Heim	
3,169,307	A	2/1965	Langwell	
3,208,319	A	9/1965	Westby et al.	
3,672,245	A	6/1972	Hoffman	
4,541,312	A	9/1985	Petersen	
4,662,252	A	5/1987	Warheit	
4,730,524	A	3/1988	Petersen	
5,351,584	A	10/1994	Warheit	
5,351,585	A	10/1994	Leseberg et al.	
5,385,072	A	1/1995	Neff	
5,609,080	A	3/1997	Flavigny	
5,765,820	A	* 6/1998	Marusiak	269/6
D419,841	S	2/2000	Wrigley	
D424,391	S	* 5/2000	Lamond et al.	D8/52
6,065,376	A	5/2000	Khachatoorian	
6,212,978	B1	4/2001	Seber et al.	
6,212,979	B1	* 4/2001	Wang	81/427.5

**1 Claim, 9 Drawing Sheets**



# US D538,121 S

Page 2

---

U.S. PATENT DOCUMENTS			
		6,598,300 B2 *	7/2003 Huang ..... 30/262
		6,748,829 B2	6/2004 Seber et al.
D447,027 S	8/2001	Lin	
6,279,431 B1	8/2001	Seber et al.	
6,393,703 B1 *	5/2002	Wu .....	30/232
D474,946 S *	5/2003	Huang .....	D8/5
6,574,870 B1 *	6/2003	Huang .....	30/252
		2004/0045418 A1	3/2004 Seber et al.
		2005/0160883 A1	7/2005 Seber et al.
		* cited by examiner	

FIG. 1

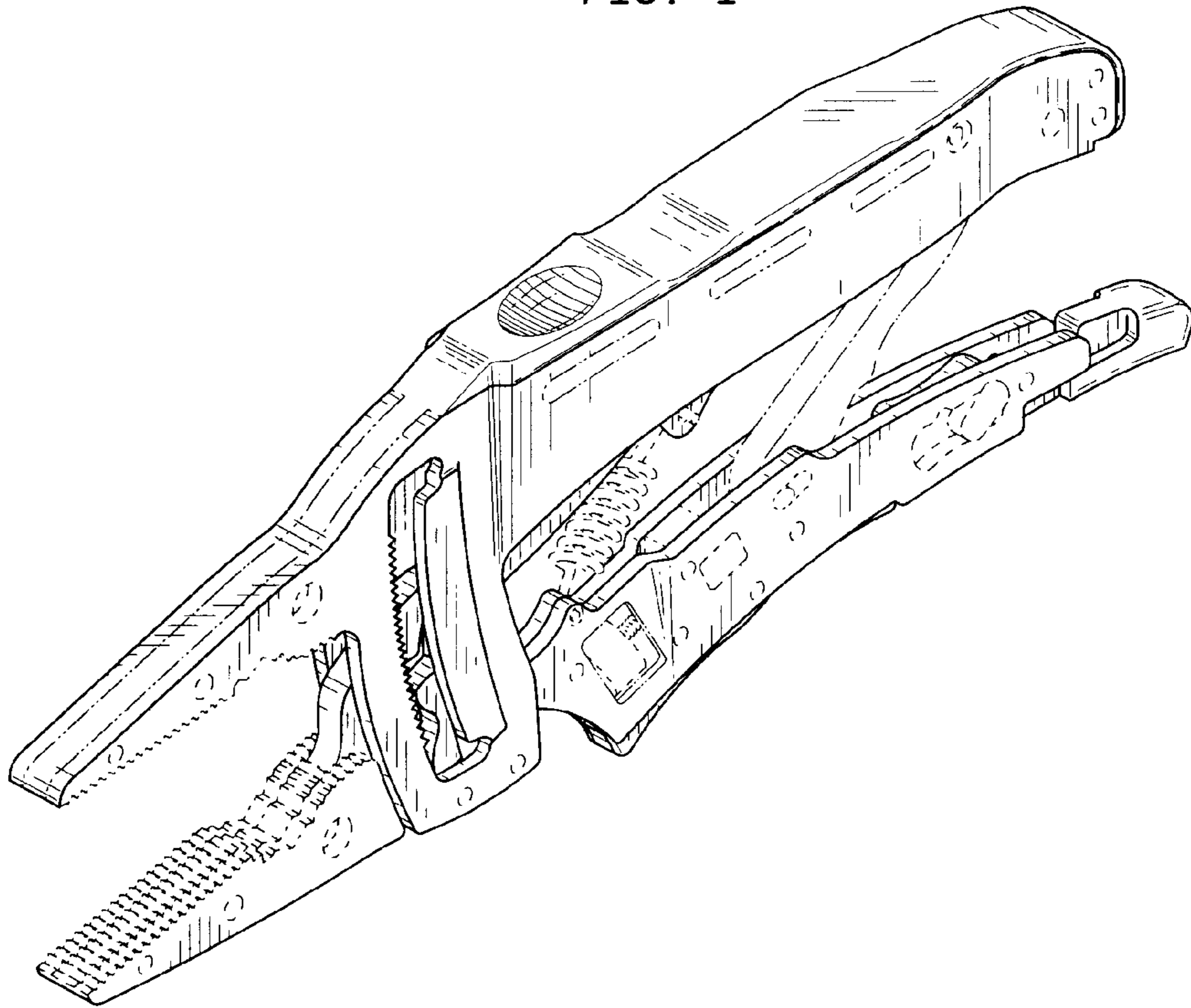


FIG. 2

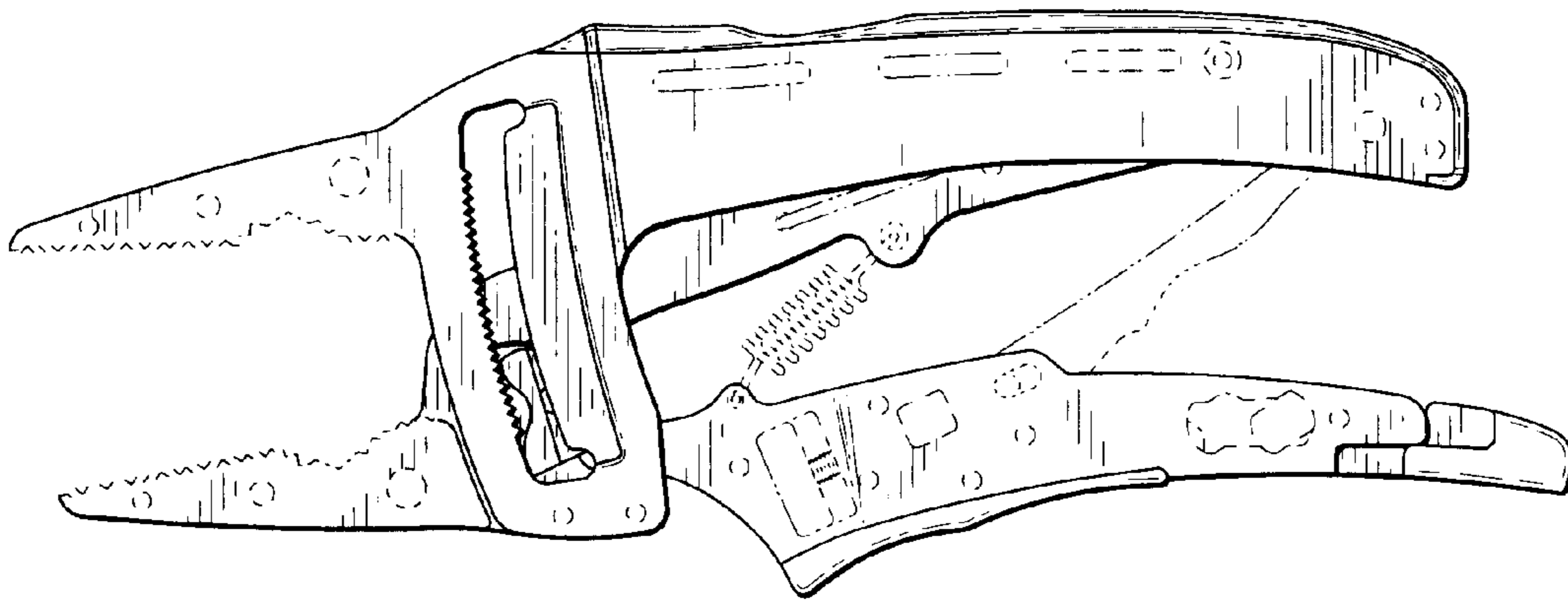


FIG. 3

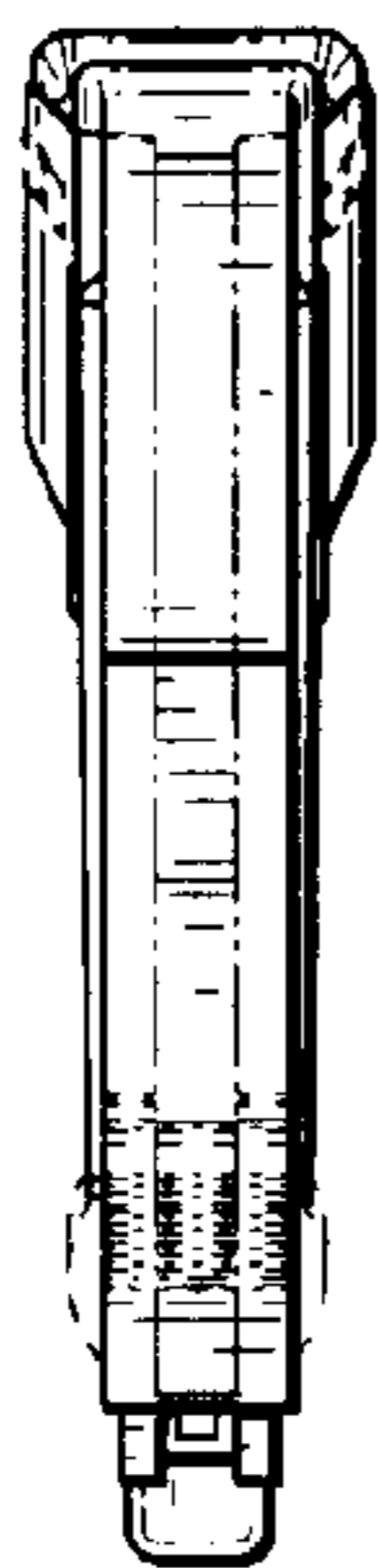


FIG. 4

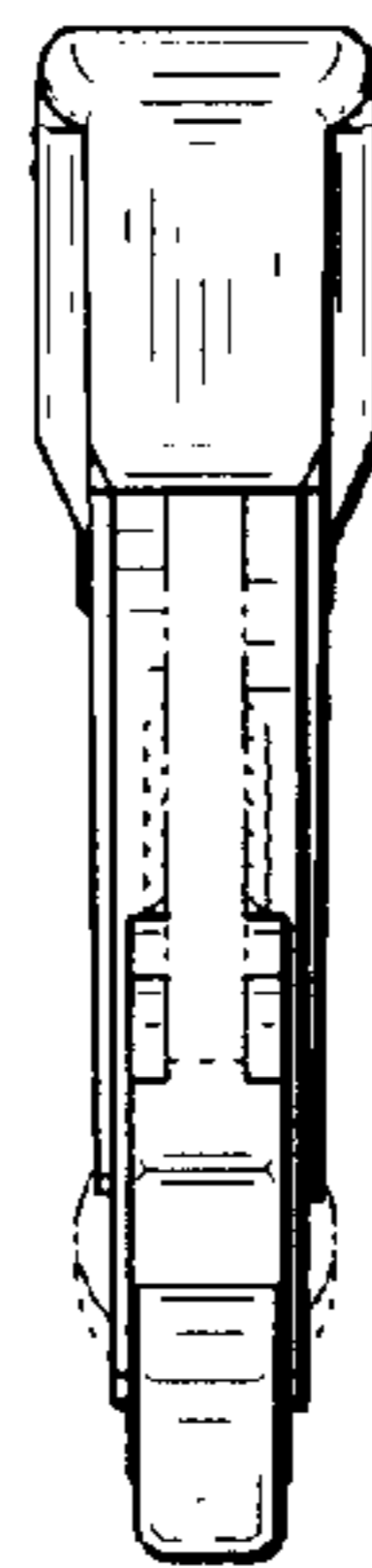


FIG. 5

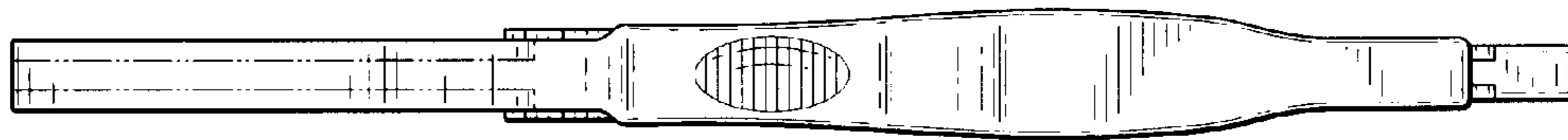


FIG. 6

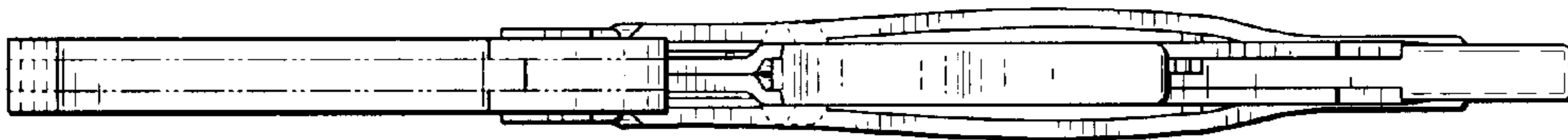


FIG. 7

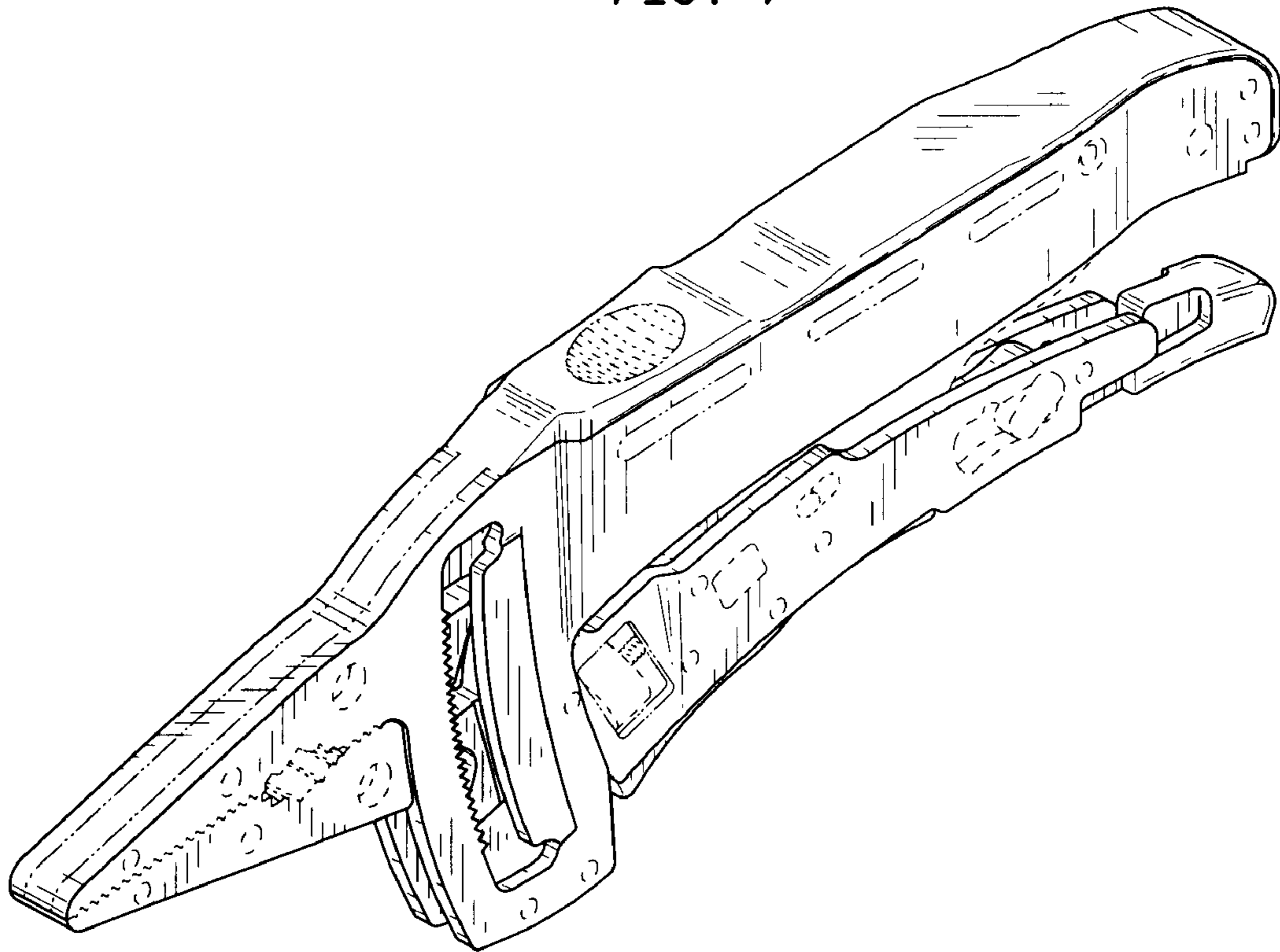




FIG. 8

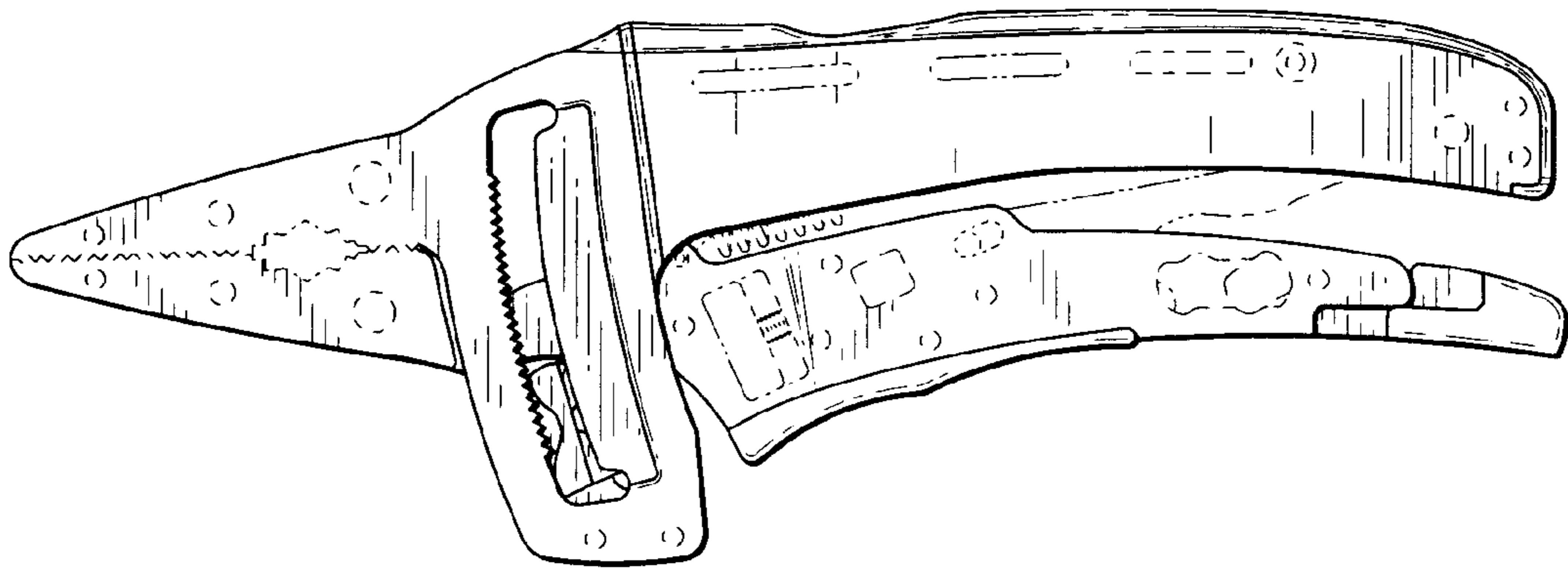


FIG. 9

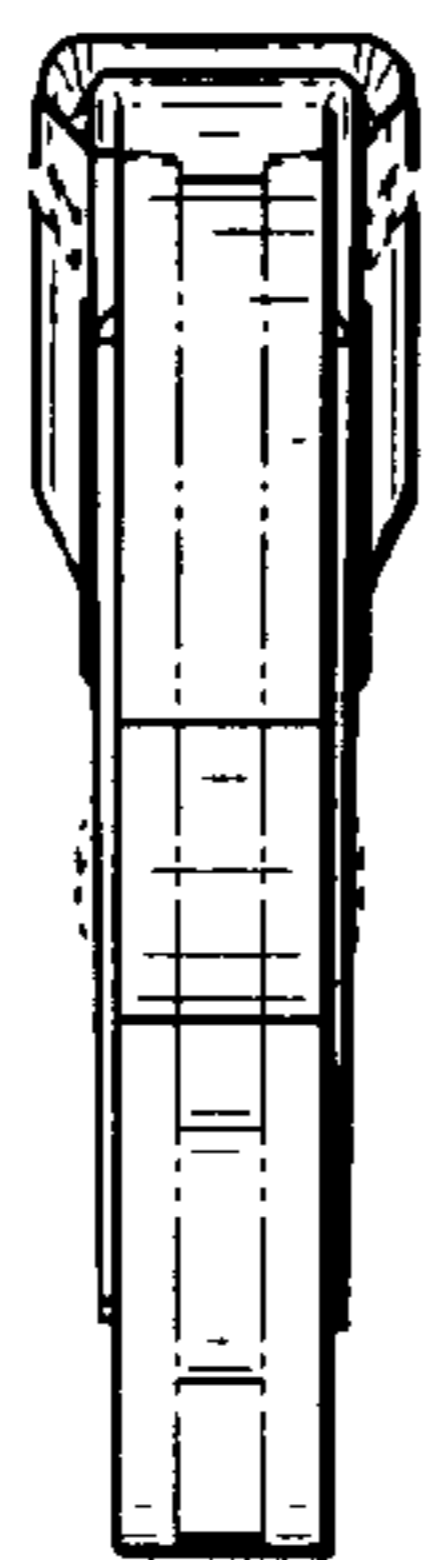


FIG. 10

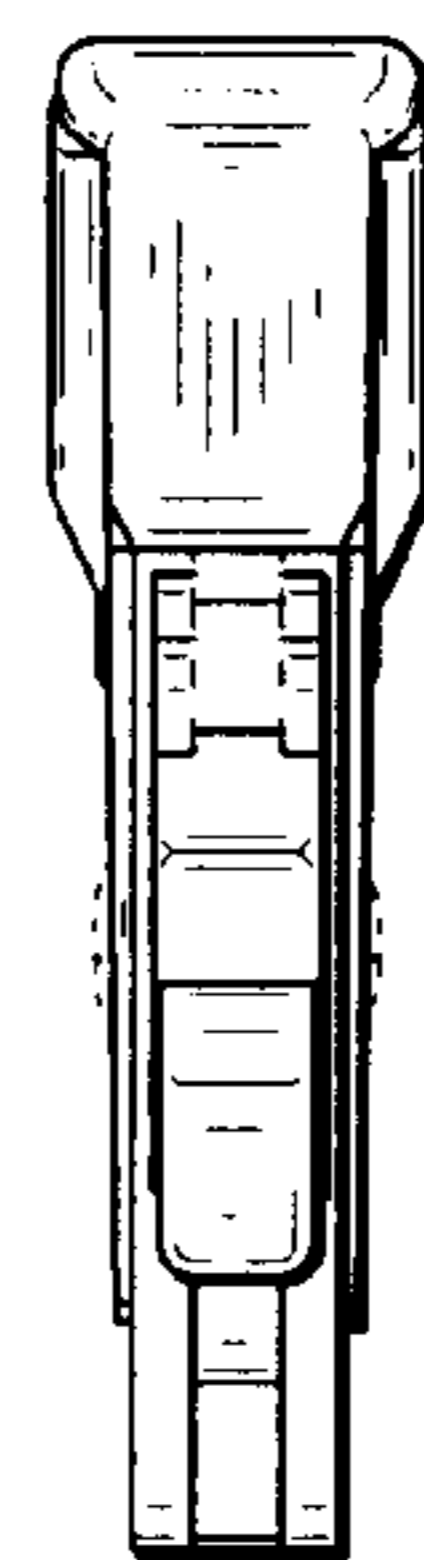


FIG. 11

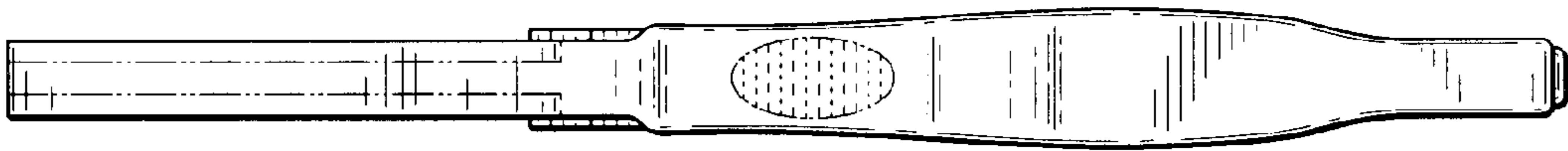


FIG. 12

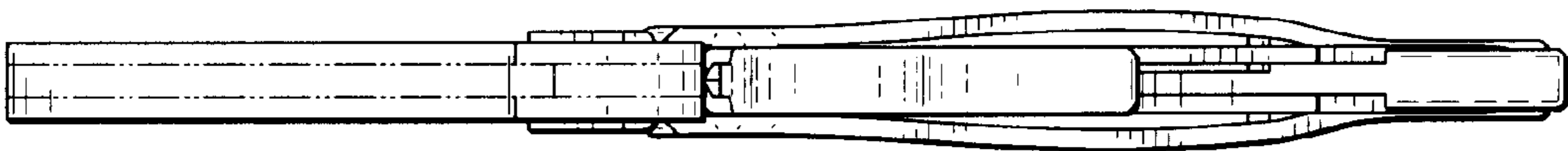




FIG. 13

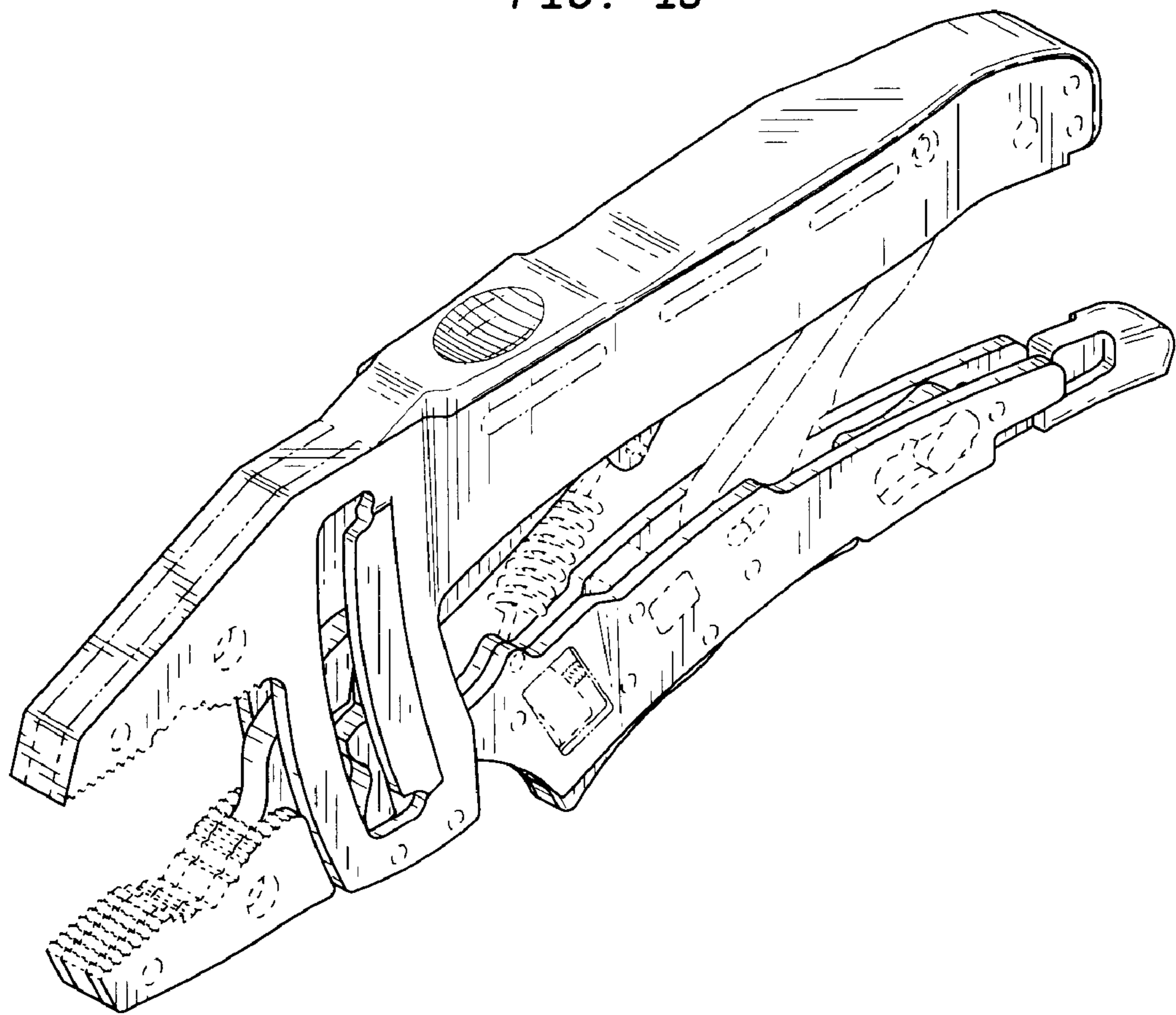


FIG. 14

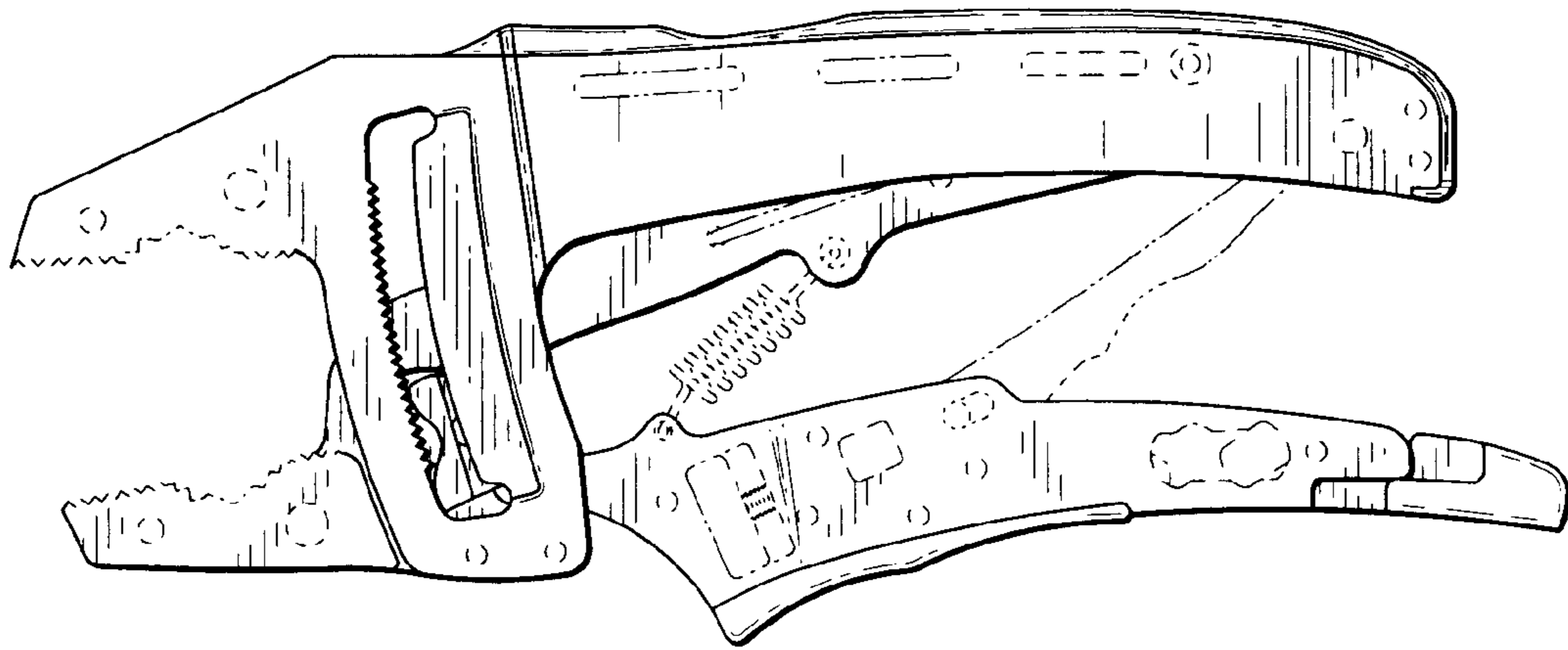


FIG. 15

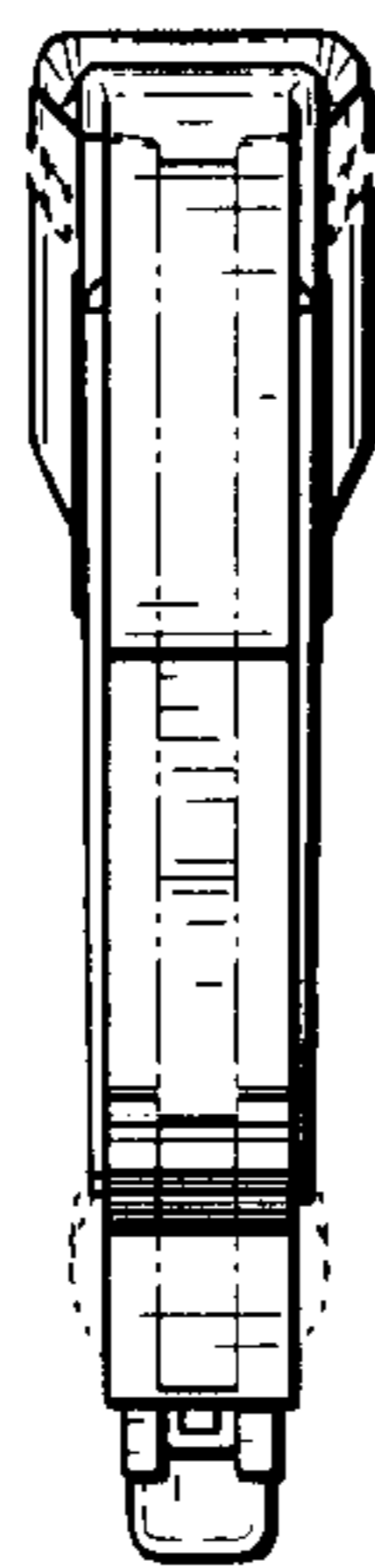


FIG. 16

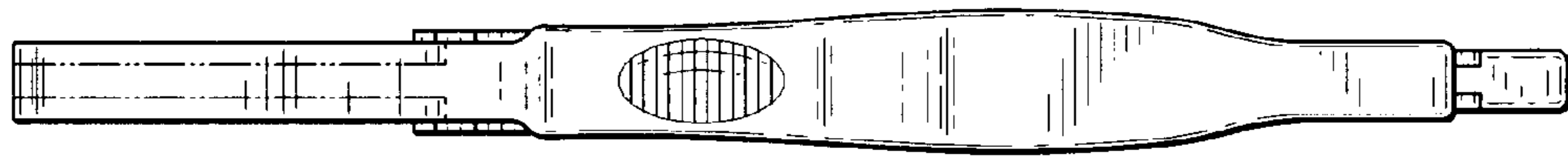


FIG. 17

