

US00D538118S

(12) **United States Design Patent**
Chong

(10) **Patent No.:** **US D538,118 S**
(45) **Date of Patent:** **** Mar. 13, 2007**

- (54) **DIRECT DRIVE CAN OPENER**
- (75) Inventor: **Wun C. Chong**, Delta (CA)
- (73) Assignee: **CanPacific Engineering Inc.**, Delta (CA)
- (**) Term: **14 Years**
- (21) Appl. No.: **29/237,325**
- (22) Filed: **Aug. 31, 2005**
- (51) **LOC (8) Cl.** **07-99**
- (52) **U.S. Cl.** **D8/33**
- (58) **Field of Classification Search** D8/16, D8/18, 19, 33-43, 88, 98, 105; D7/372, 373, D7/381, 386, 665, 666, 669, 680; D27/142; 7/113, 151-156; 30/1.5, 113.1, 113.2, 113.3, 30/400-450; 81/3.07, 3.08, 3.09, 3.2, 3.27, 81/3.35, 3.4, 3.45, 3.48, 3.49, 3.55, 3.57
See application file for complete search history.

3,719,991 A	3/1973	French	
D295,944 S	* 5/1988	Cooper	D8/33
4,782,594 A	11/1988	Porucznik et al.	
5,052,110 A	* 10/1991	Bartlett	30/434
5,121,546 A	6/1992	Chong	
D329,789 S	* 9/1992	Bartlett et al.	D8/33
5,367,776 A	11/1994	Chong	
D423,313 S	* 4/2000	Edwards	D8/41
6,158,130 A	12/2000	Chong	
D441,266 S	* 5/2001	Chong	D8/41

* cited by examiner

Primary Examiner—Robert M. Spear

Assistant Examiner—Garth Rademaker

(74) *Attorney, Agent, or Firm*—Oyen Wiggs Green & Mutala LLP

(57) **CLAIM**

The ornamental design for a direct drive can opener, as shown and described.

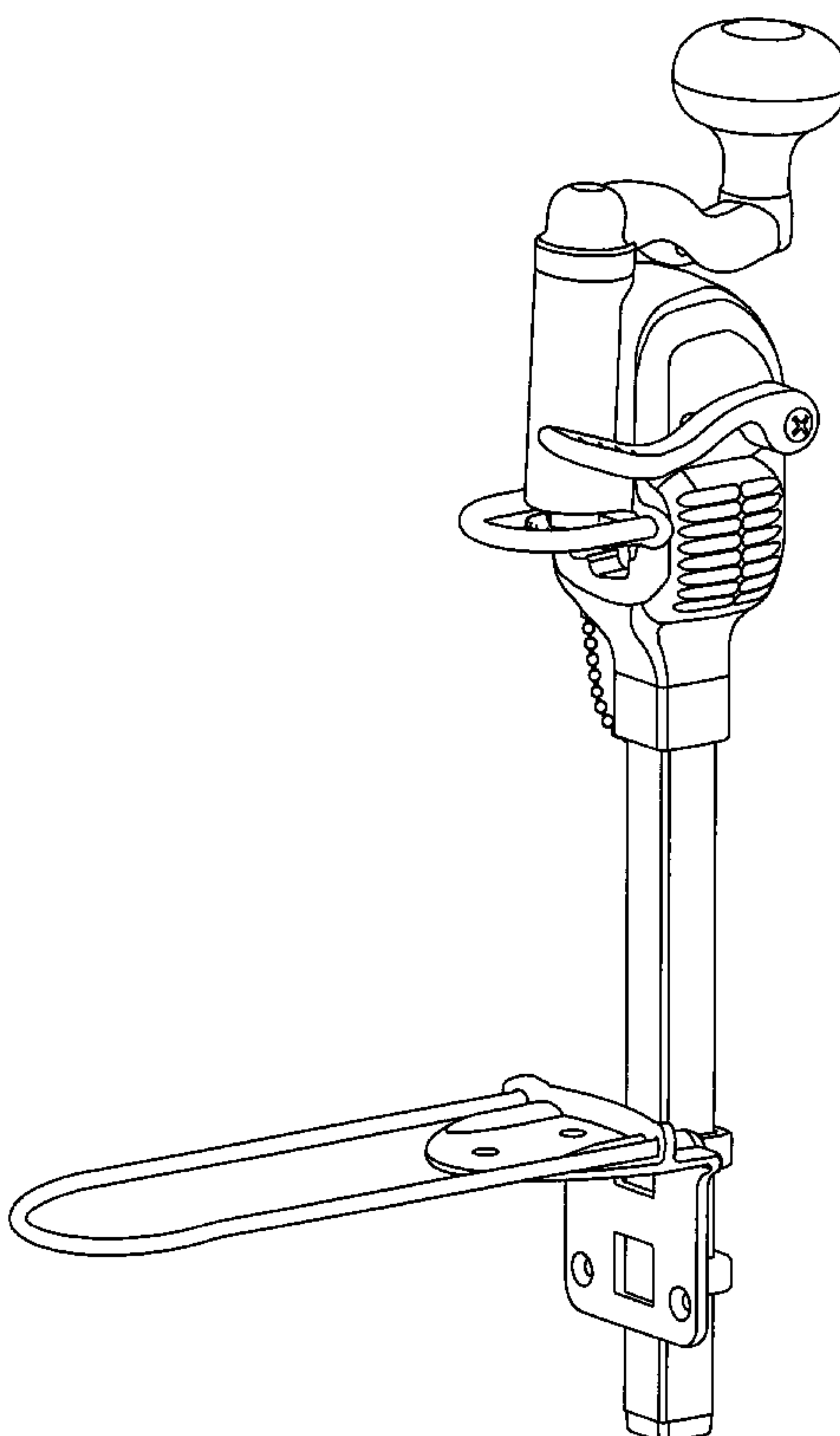
DESCRIPTION

FIG. 1 is an isometric view of a direct drive can opener; FIG. 2 is a front view of the direct drive can opener; FIG. 3 is a right side view of the direct drive can opener. FIG. 4 is a left side view of the direct drive can opener. FIG. 5 is a rear view of the direct drive can opener. FIG. 6 is a top view of the direct drive can opener. FIG. 7 is a bottom view of the direct drive can opener; and, FIG. 8 is a section view of the direct drive can opener taken along 8—8 of FIG. 2.

1 Claim, 8 Drawing Sheets

(56) **References Cited**
U.S. PATENT DOCUMENTS

1,935,680 A	11/1933	Von Wolforsdorf	
1,974,671 A	* 9/1934	Egan	30/433
2,508,106 A	* 5/1950	Edlund	30/416
2,636,260 A	* 4/1953	Farandatos	30/405
D174,858 S	* 5/1955	Greco et al.	D8/33
D178,727 S	* 9/1956	Gundelfinger	D8/36
3,510,941 A	5/1970	Fyfe	
RE27,504 E	10/1972	Smith	



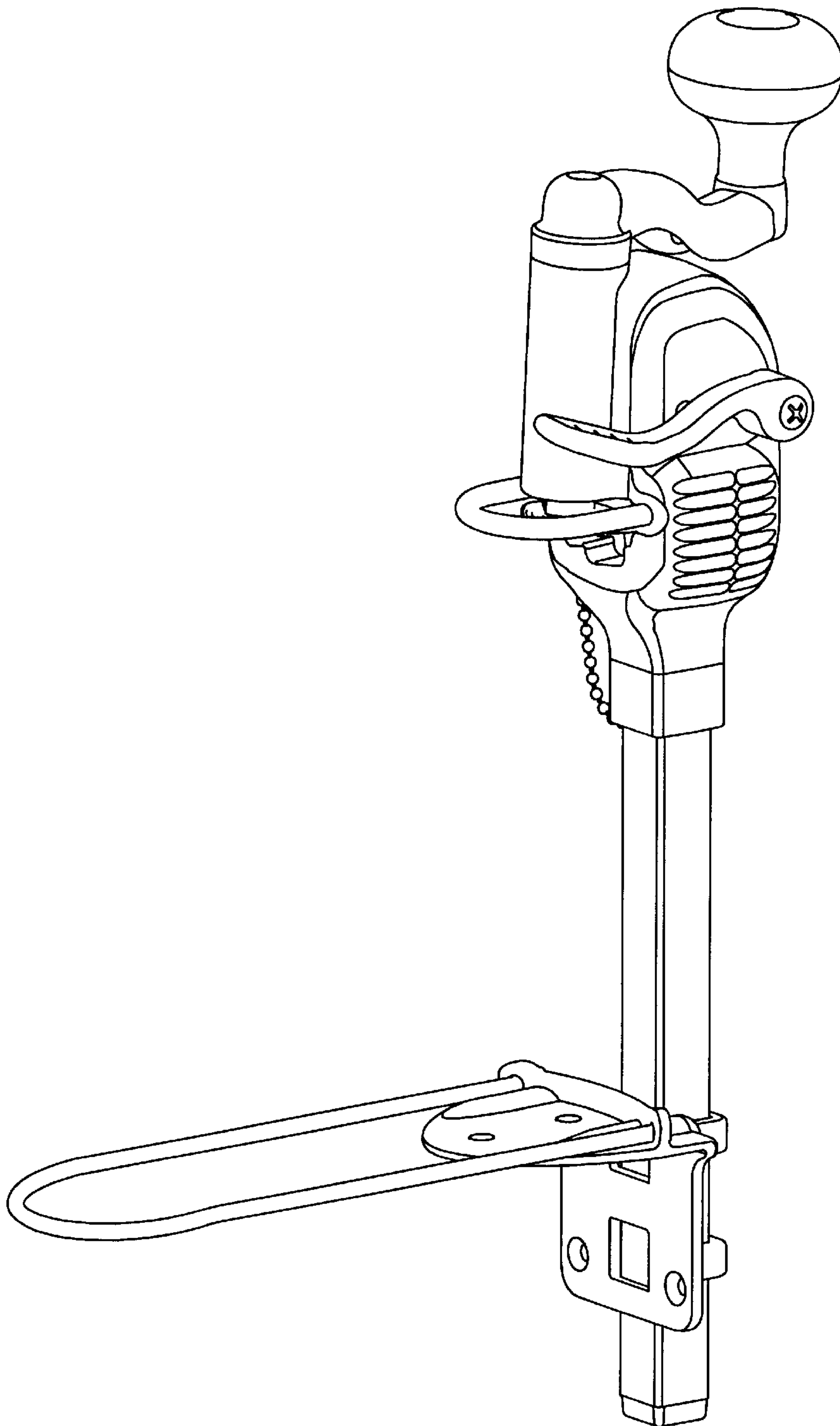


FIG 1

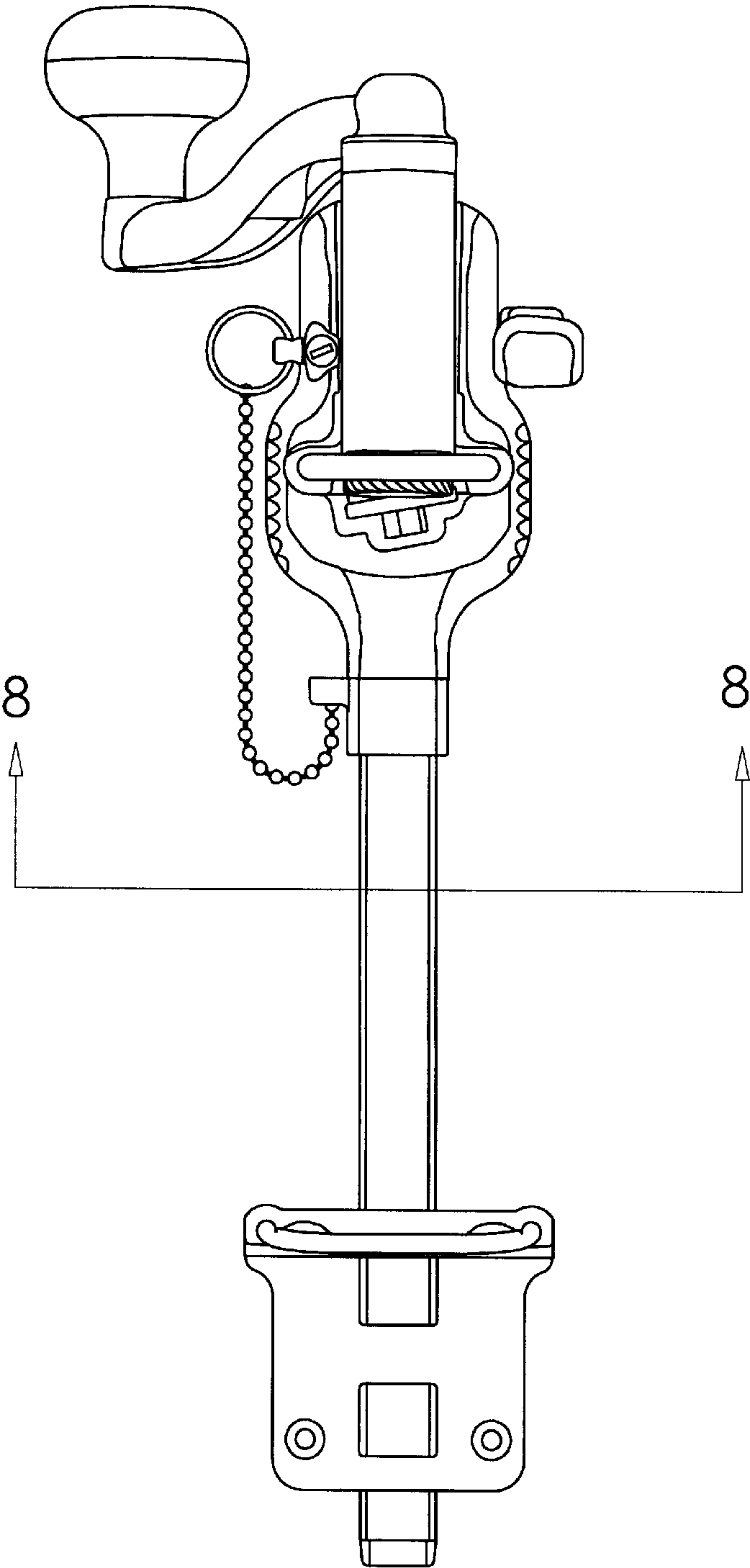


FIG 2

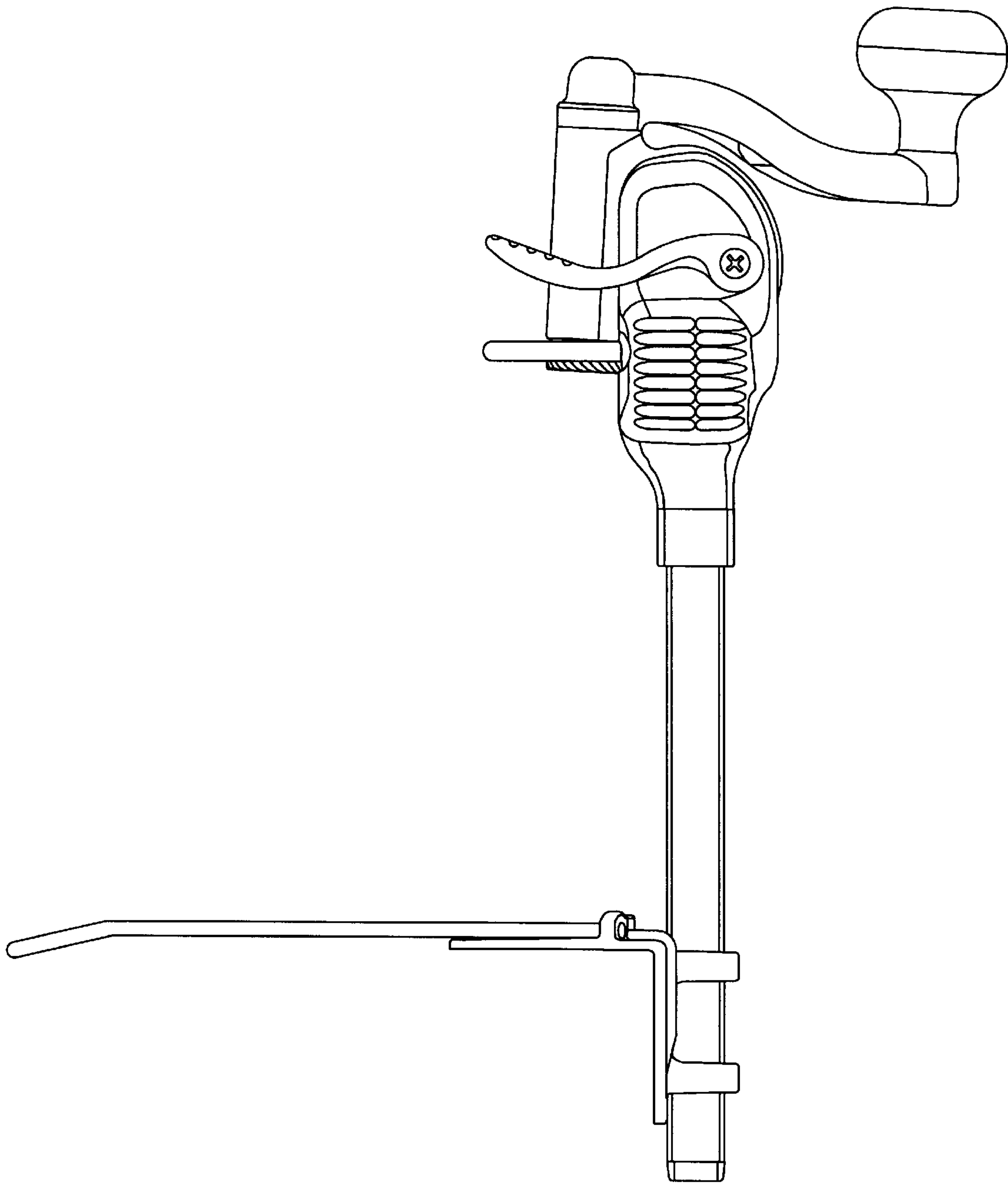


FIG 3

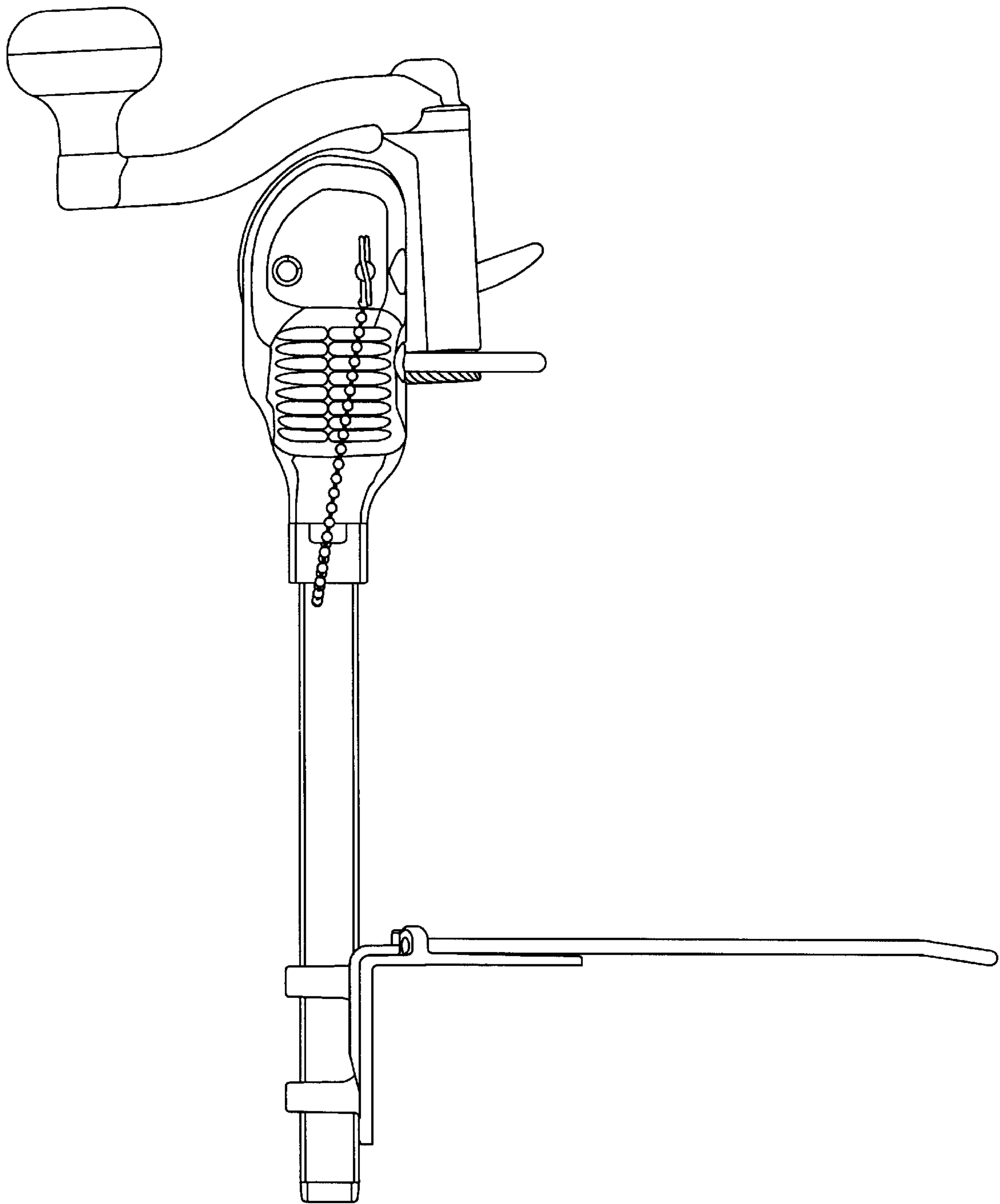


FIG 4

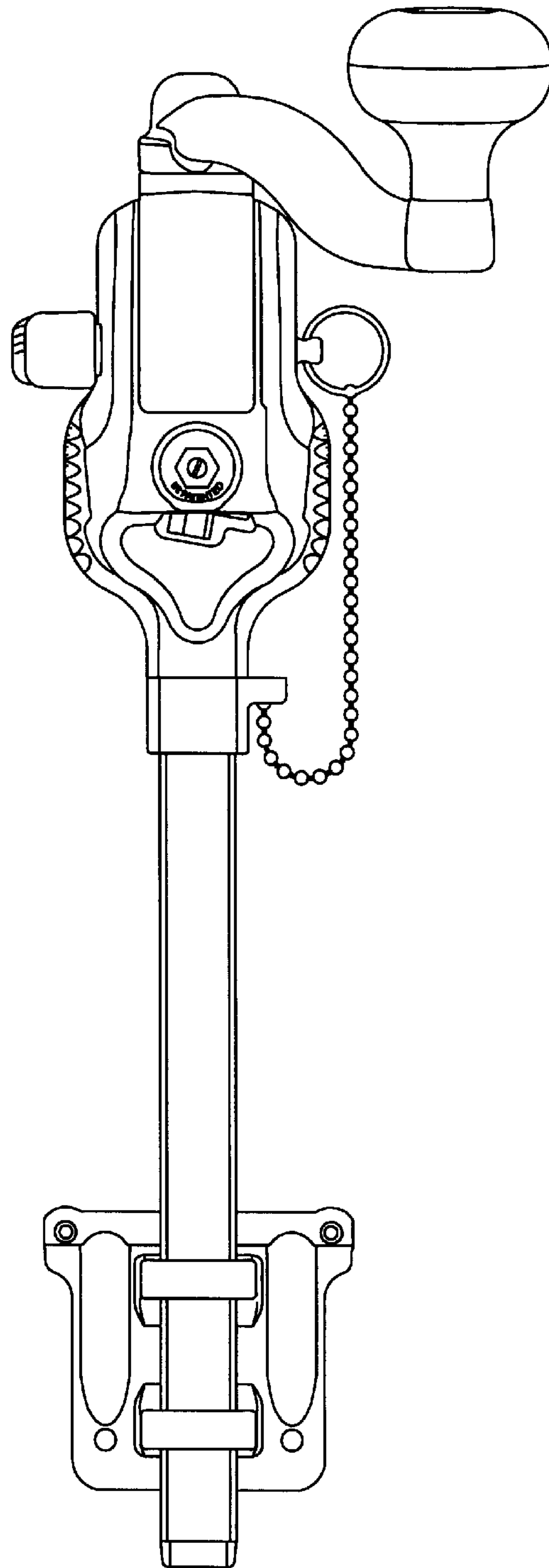


FIG 5

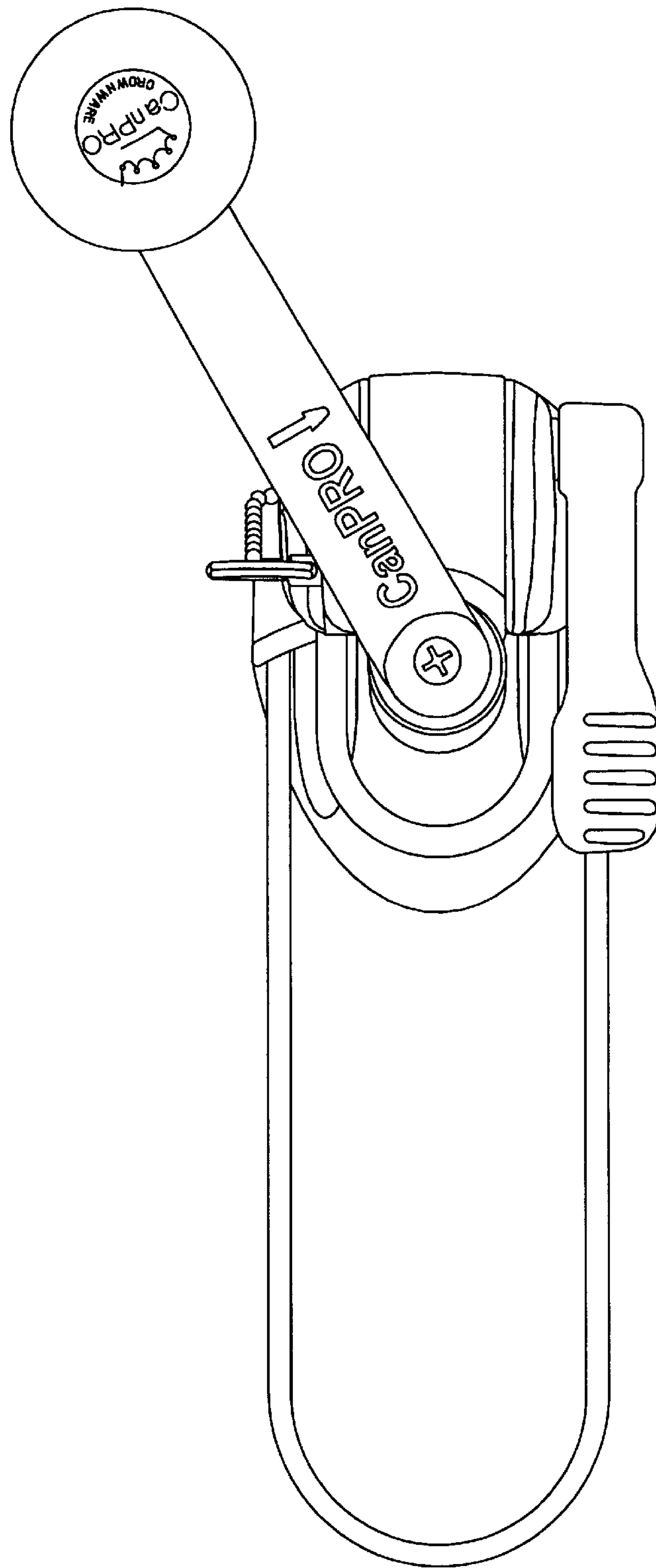


FIG 6

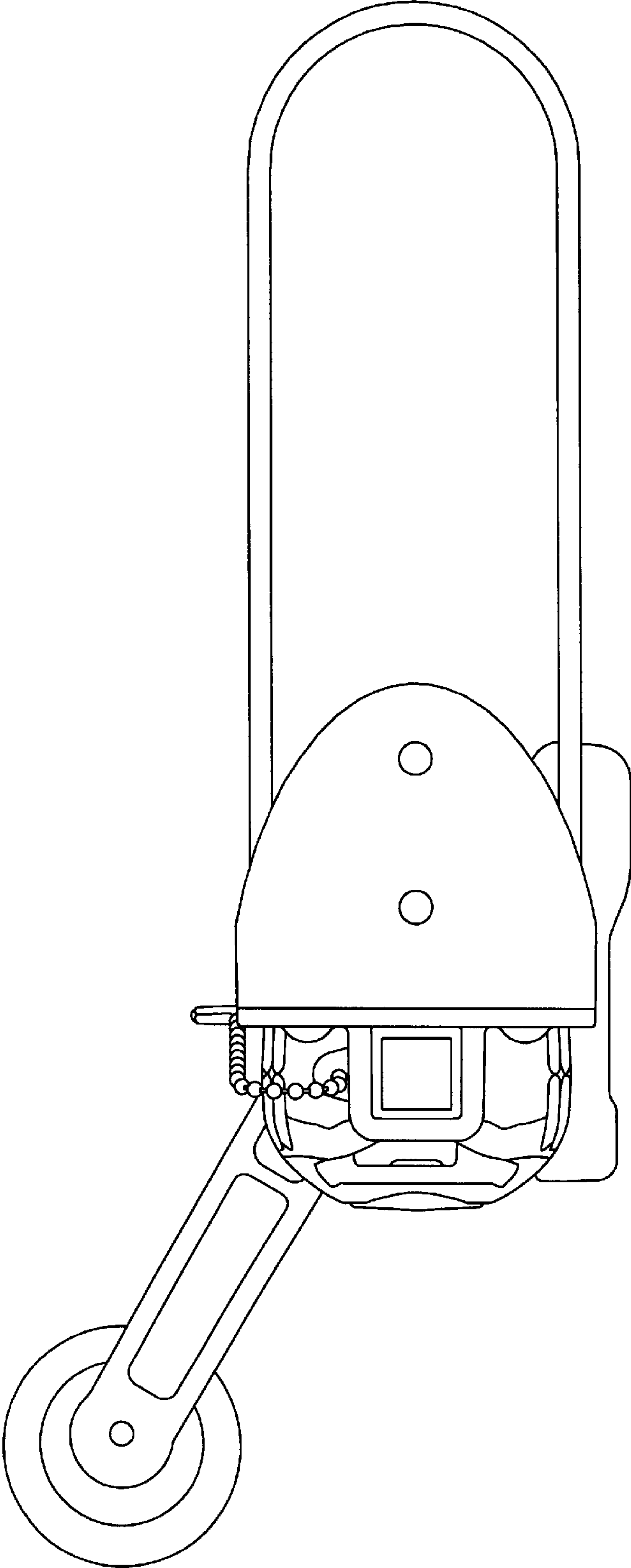


FIG 7

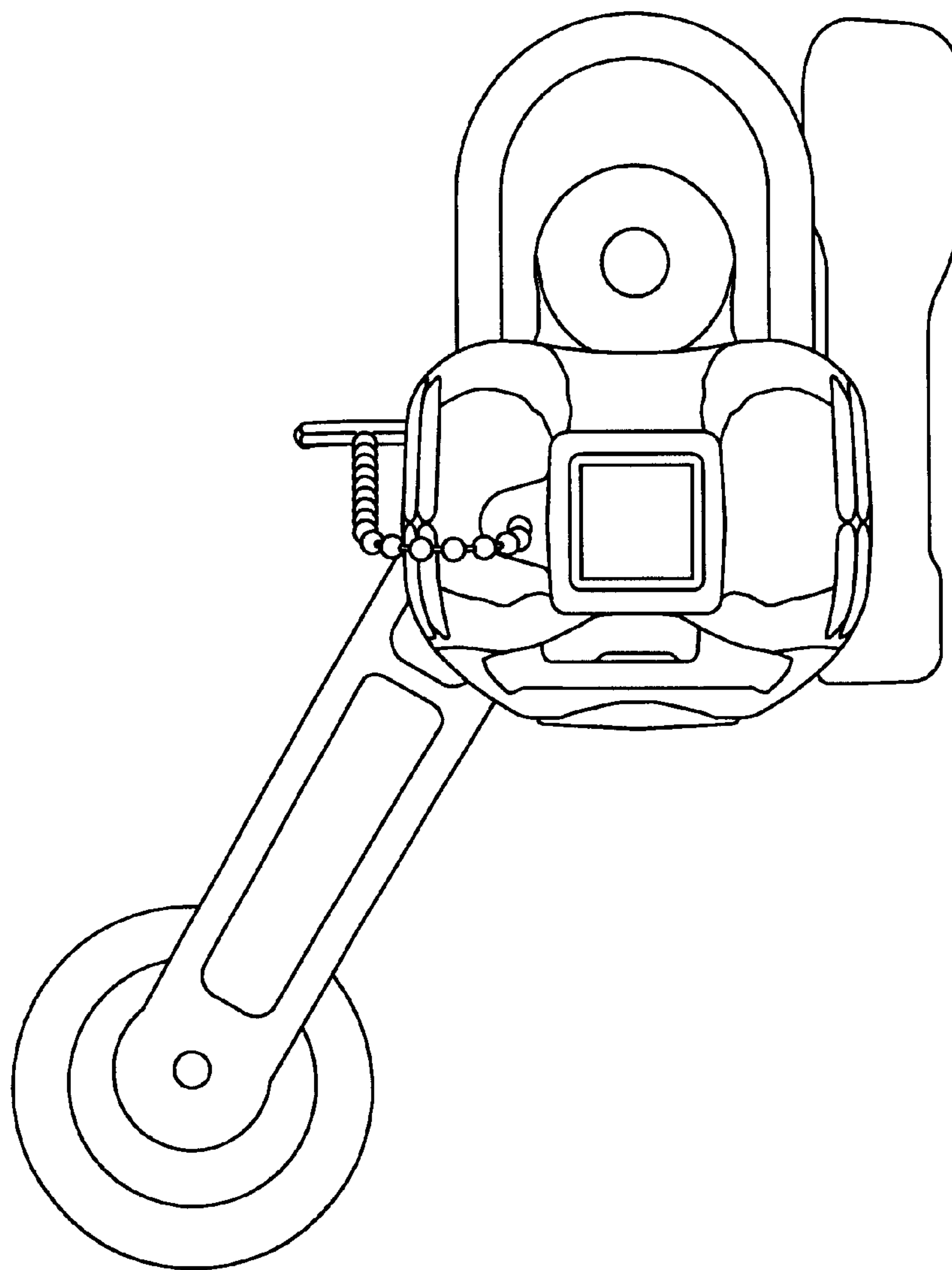


FIG 8