



US00D538116S

(12) **United States Design Patent**  
**Siu**

(10) **Patent No.:** **US D538,116 S**

(45) **Date of Patent:** **\*\* Mar. 13, 2007**

(54) **JUICER**

6,543,340 B1 \* 4/2003 Fouquet ..... 99/511  
6,609,455 B2 \* 8/2003 Fouquet ..... 99/511

(75) Inventor: **Eddie Siu**, Botany (AU)

\* cited by examiner

(73) Assignee: **Breville Pty Limited**, Botany (AU)

*Primary Examiner*—Terry A. Wallace

(\*\*) Term: **14 Years**

(74) *Attorney, Agent, or Firm*—Molins & Co.

(21) Appl. No.: **29/258,073**

(57) **CLAIM**

(22) Filed: **Apr. 17, 2006**

The ornamental design for a juicer, as shown and described.

(51) **LOC (8) Cl.** ..... **31-00**

**DESCRIPTION**

(52) **U.S. Cl.** ..... **D7/665**

(58) **Field of Classification Search** ..... D7/665,  
D7/666, 373, 374, 381, 384; 99/501–513,  
99/495, 499, 348, 357; 241/36, 37.5, 92,  
241/100, 282.1

FIG. 1 is a rear perspective view of a juicer showing my new design;

FIG. 2 is a underside perspective view thereof;

FIG. 3 is a right side perspective view thereof;

FIG. 4 is a top plan view thereof;

FIG. 5 is a bottom plan view thereof;

FIG. 6 is a left side elevation view thereof;

FIG. 7 is a front elevation view thereof;

FIG. 8 is a right side elevation view thereof; and,

FIG. 9 is a rear elevation view thereof.

See application file for complete search history.

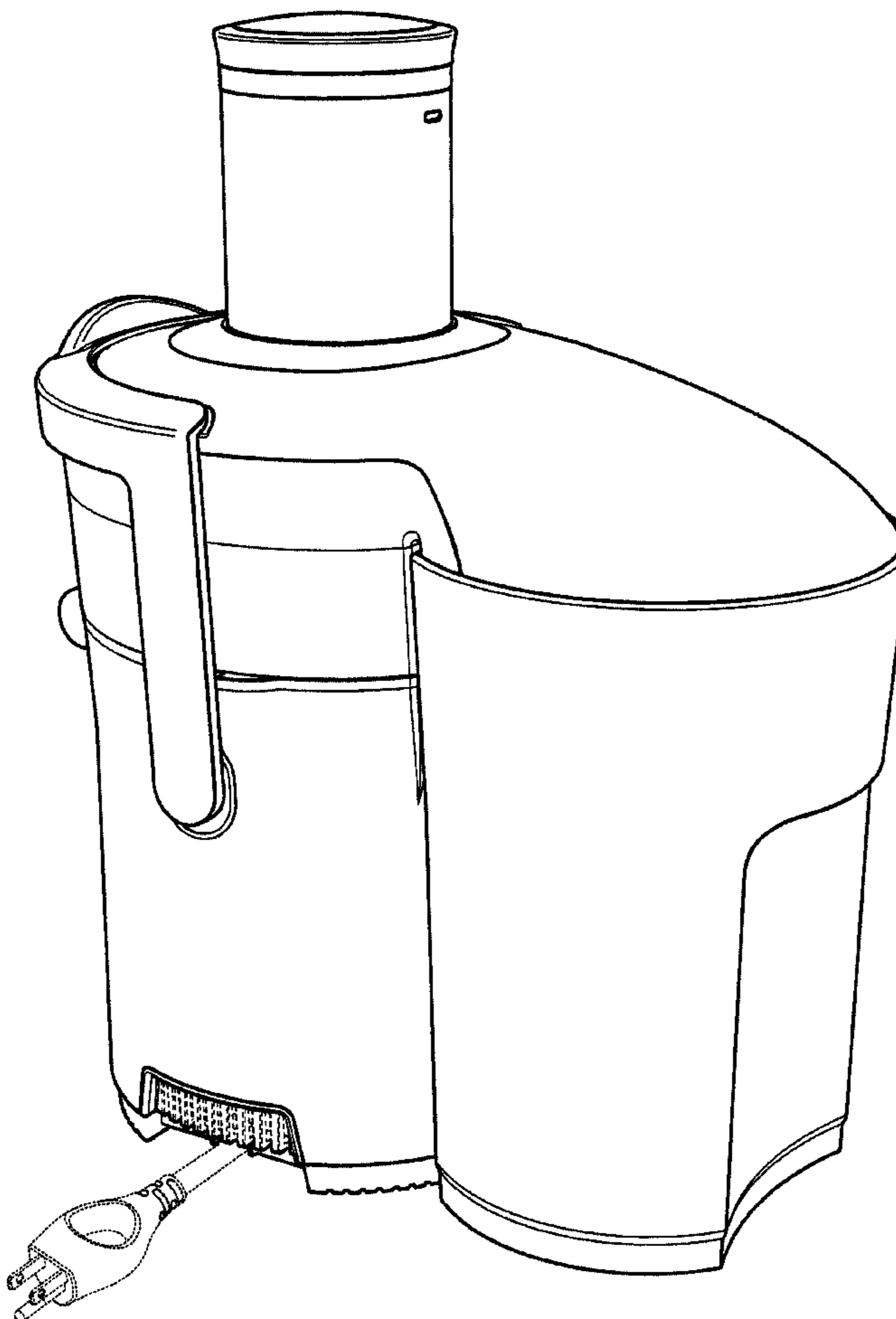
The broken lines are for illustrative purposes only and form no part of the claimed design.

(56) **References Cited**

**U.S. PATENT DOCUMENTS**

6,058,833 A \* 5/2000 Ling et al. .... 99/510  
D439,808 S \* 4/2001 McClean et al. .... D7/665  
6,412,404 B1 \* 7/2002 Hsu ..... 99/495

**1 Claim, 9 Drawing Sheets**



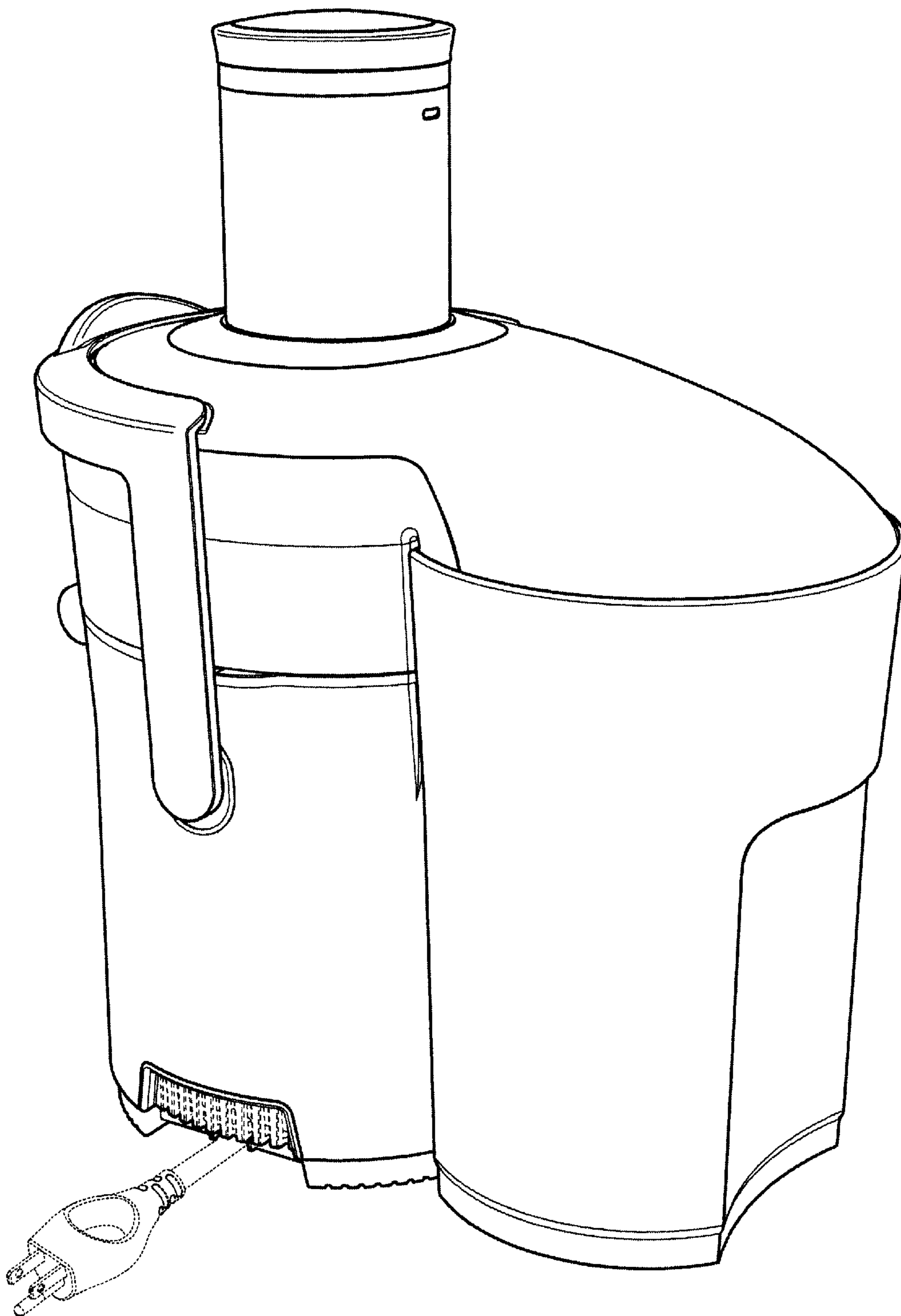


figure 1

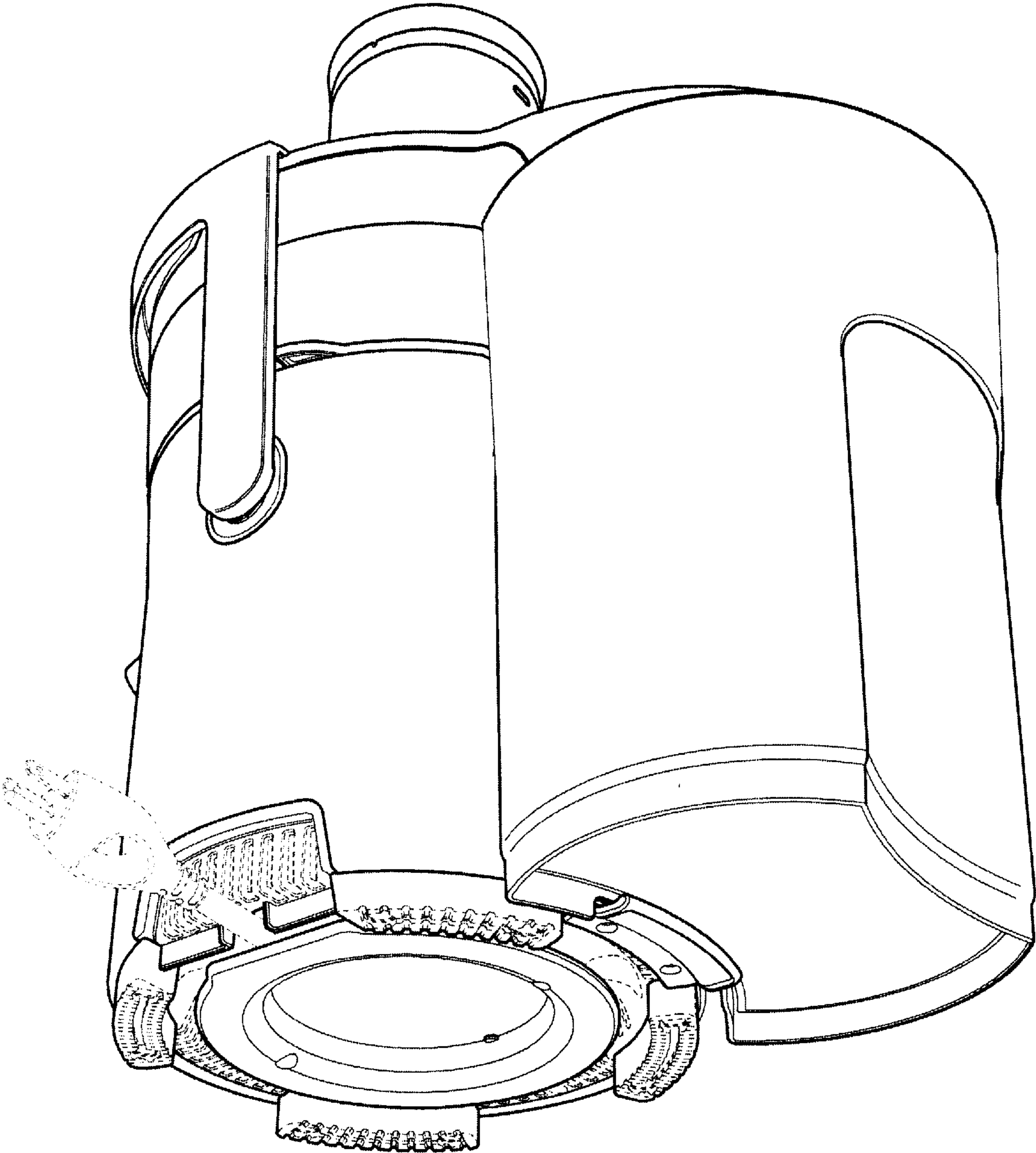


figure 2

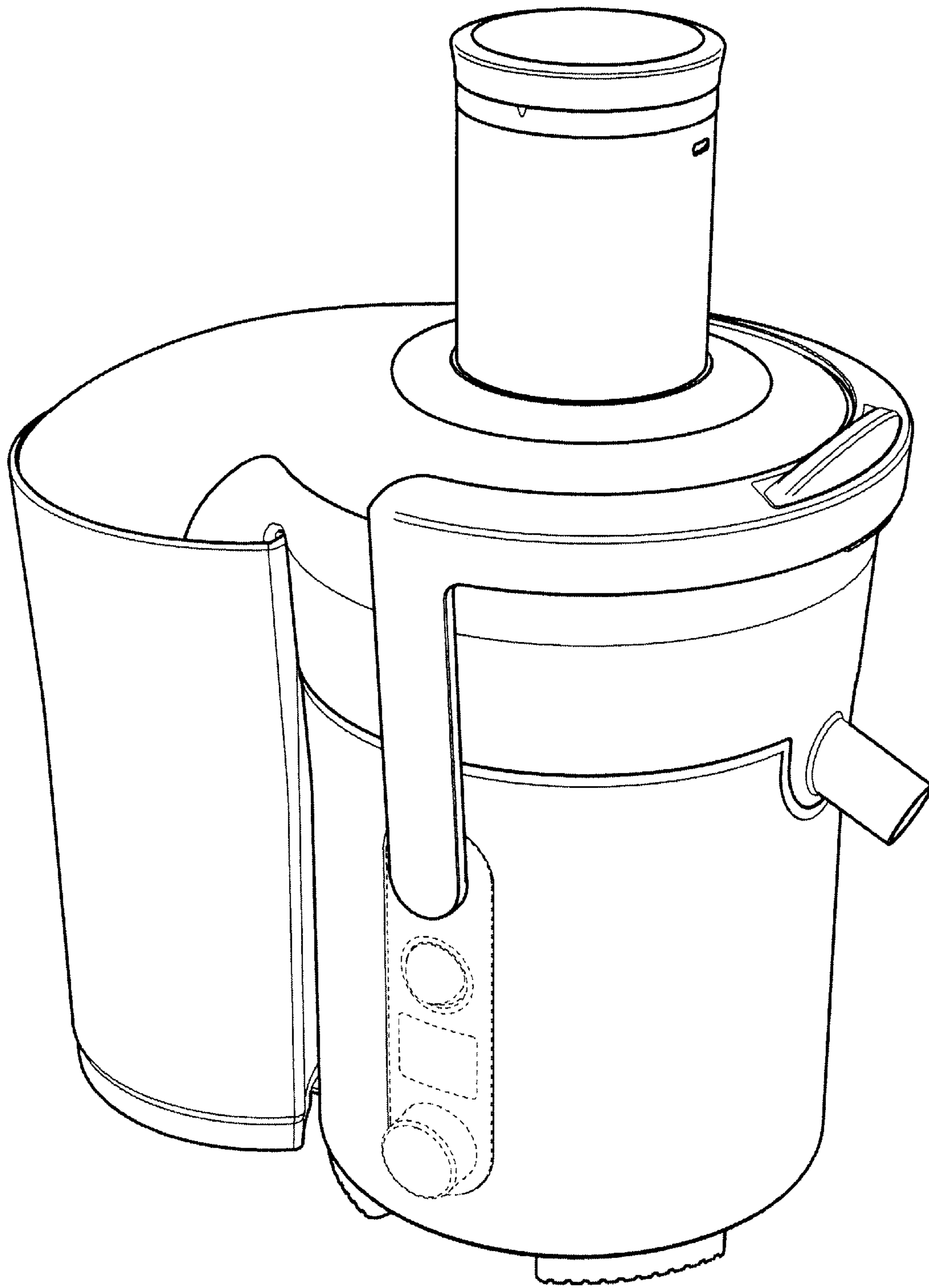


figure 3

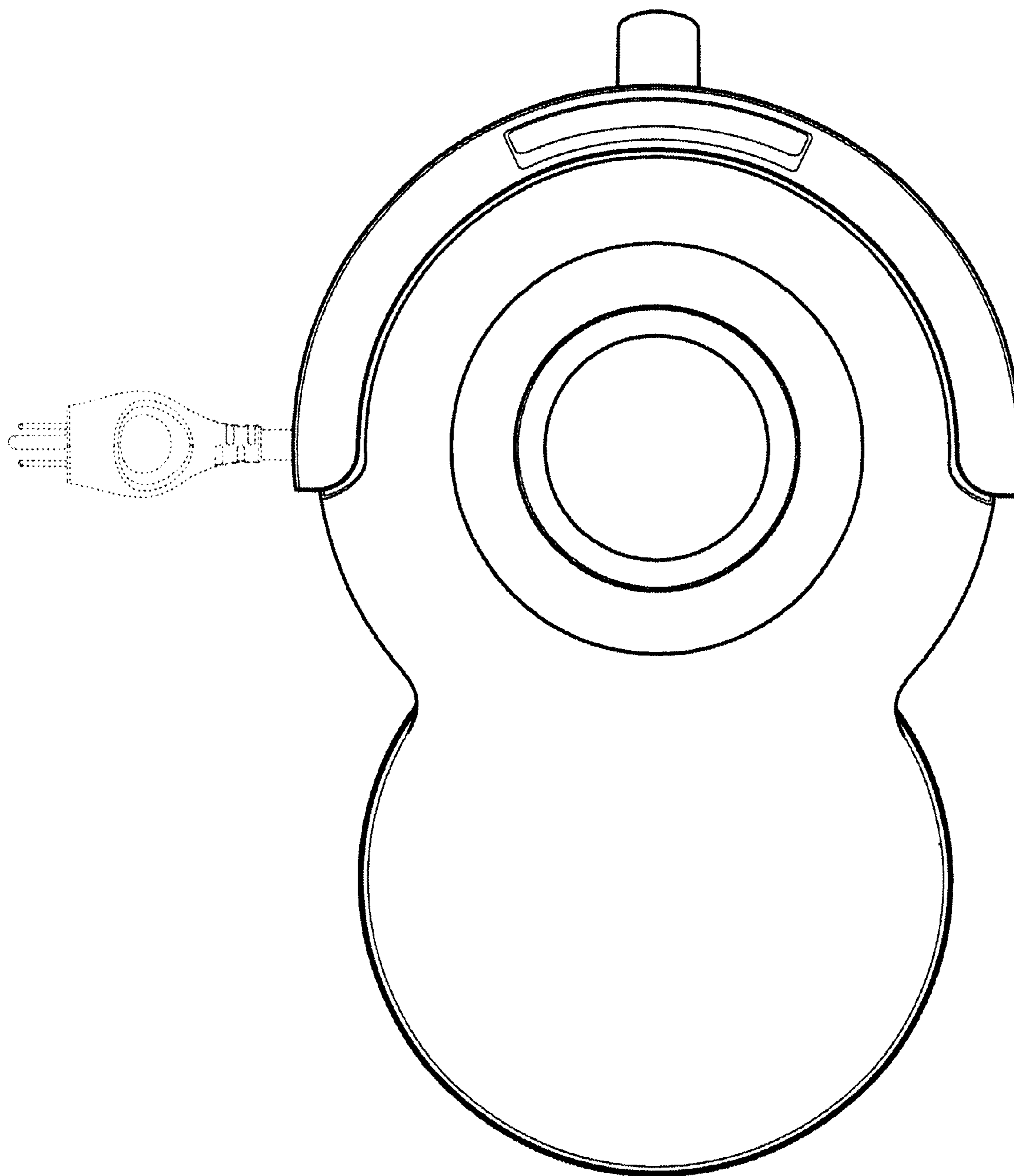


figure 4

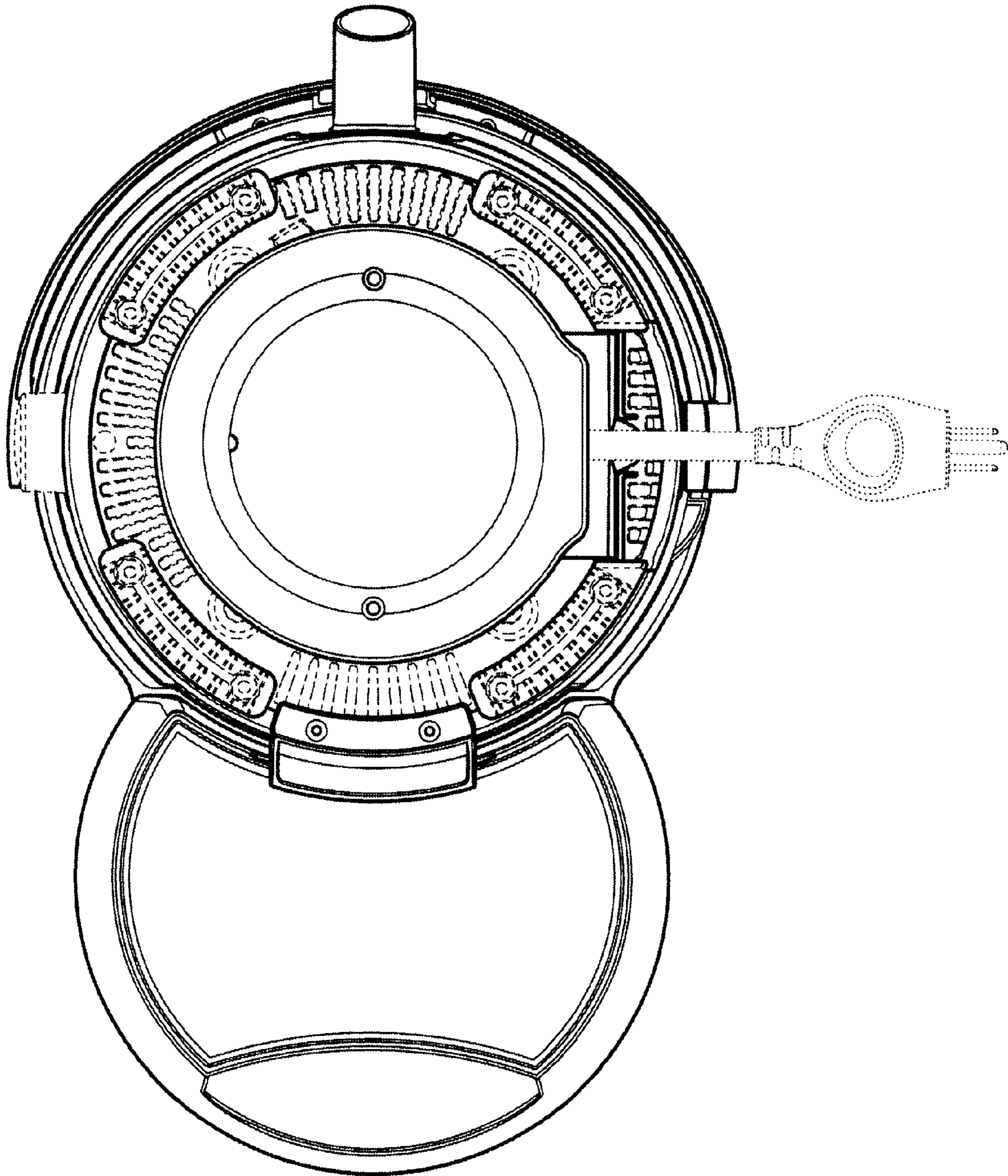


figure 5

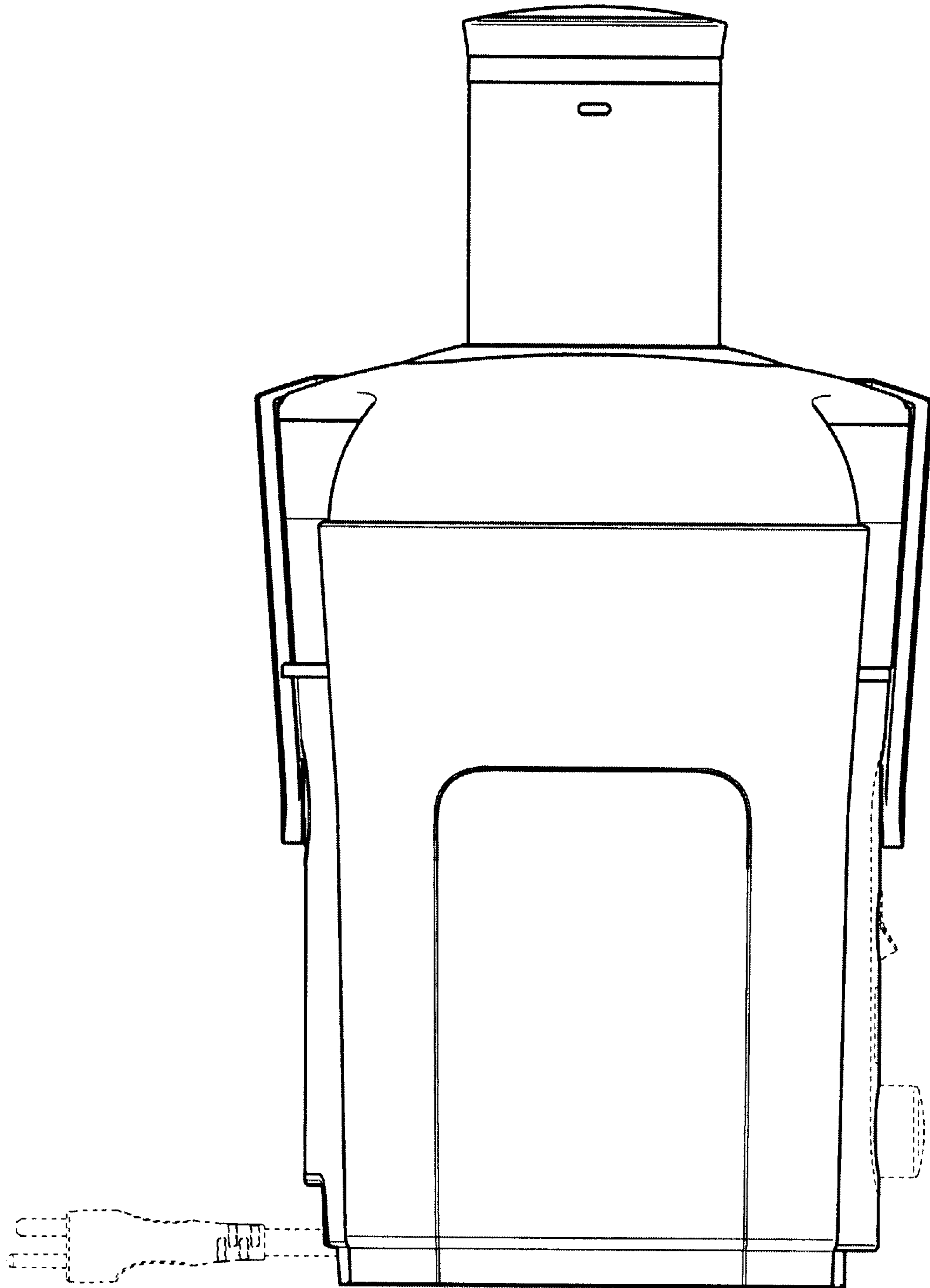


figure 6

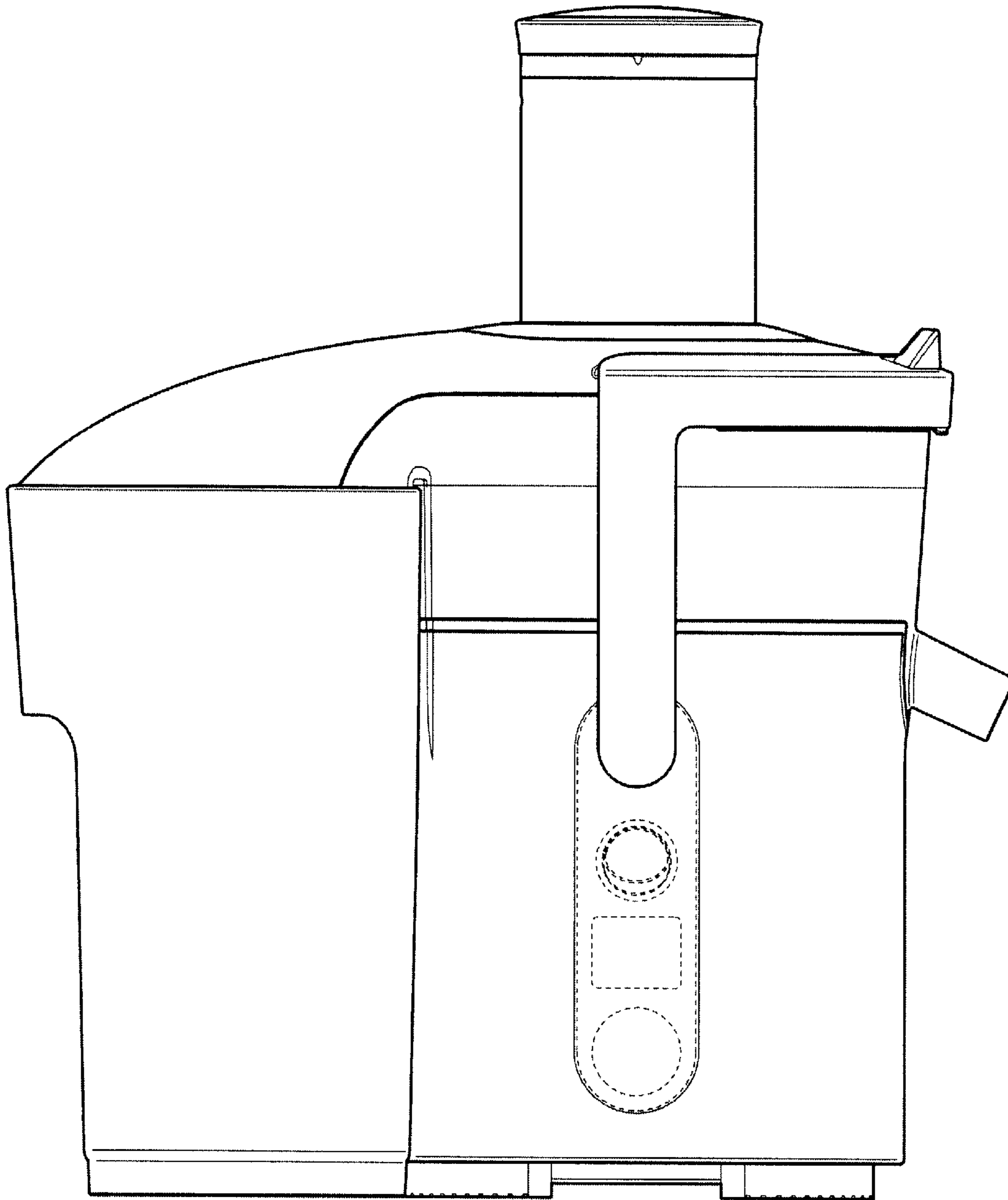


figure 7



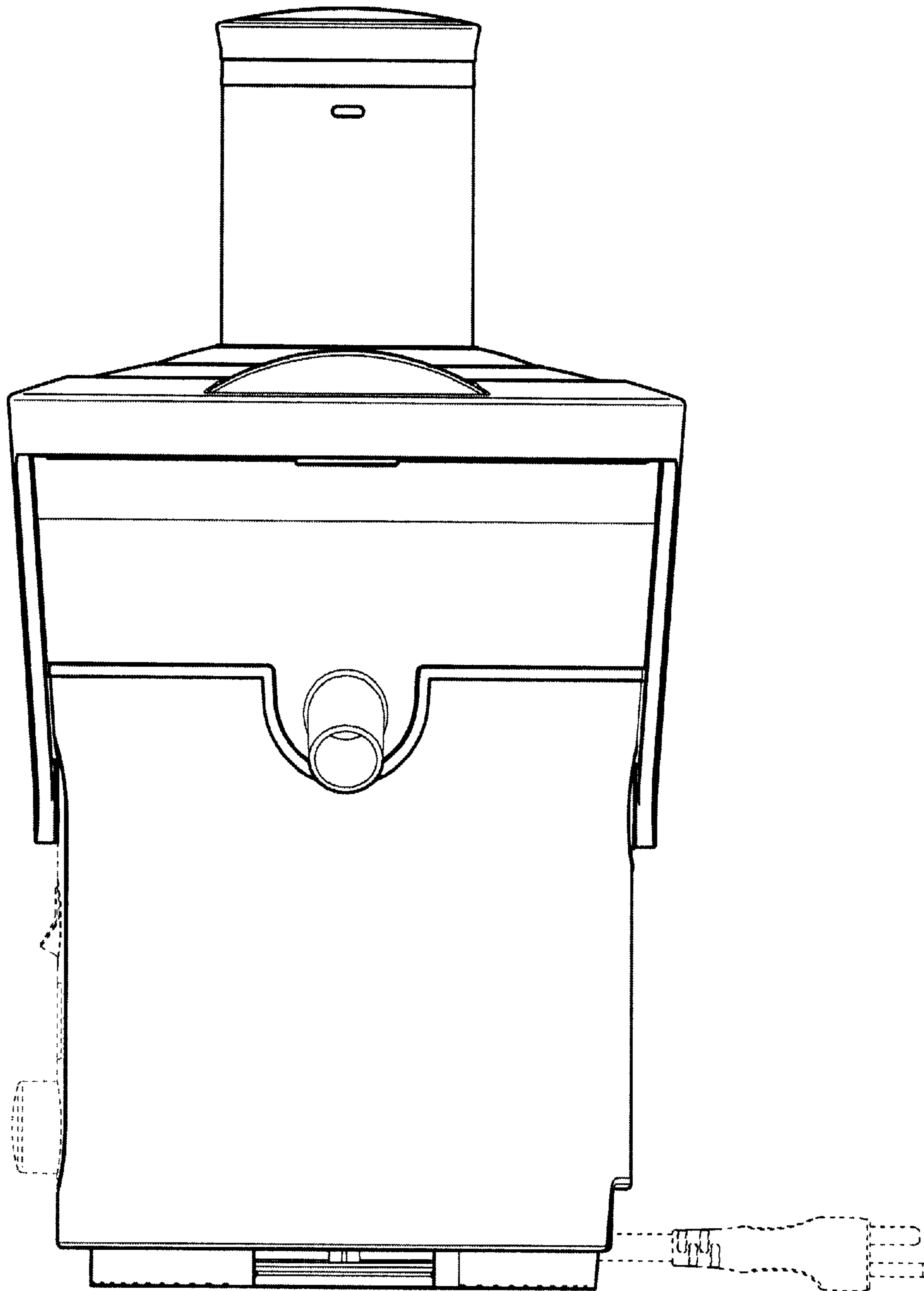


figure 8

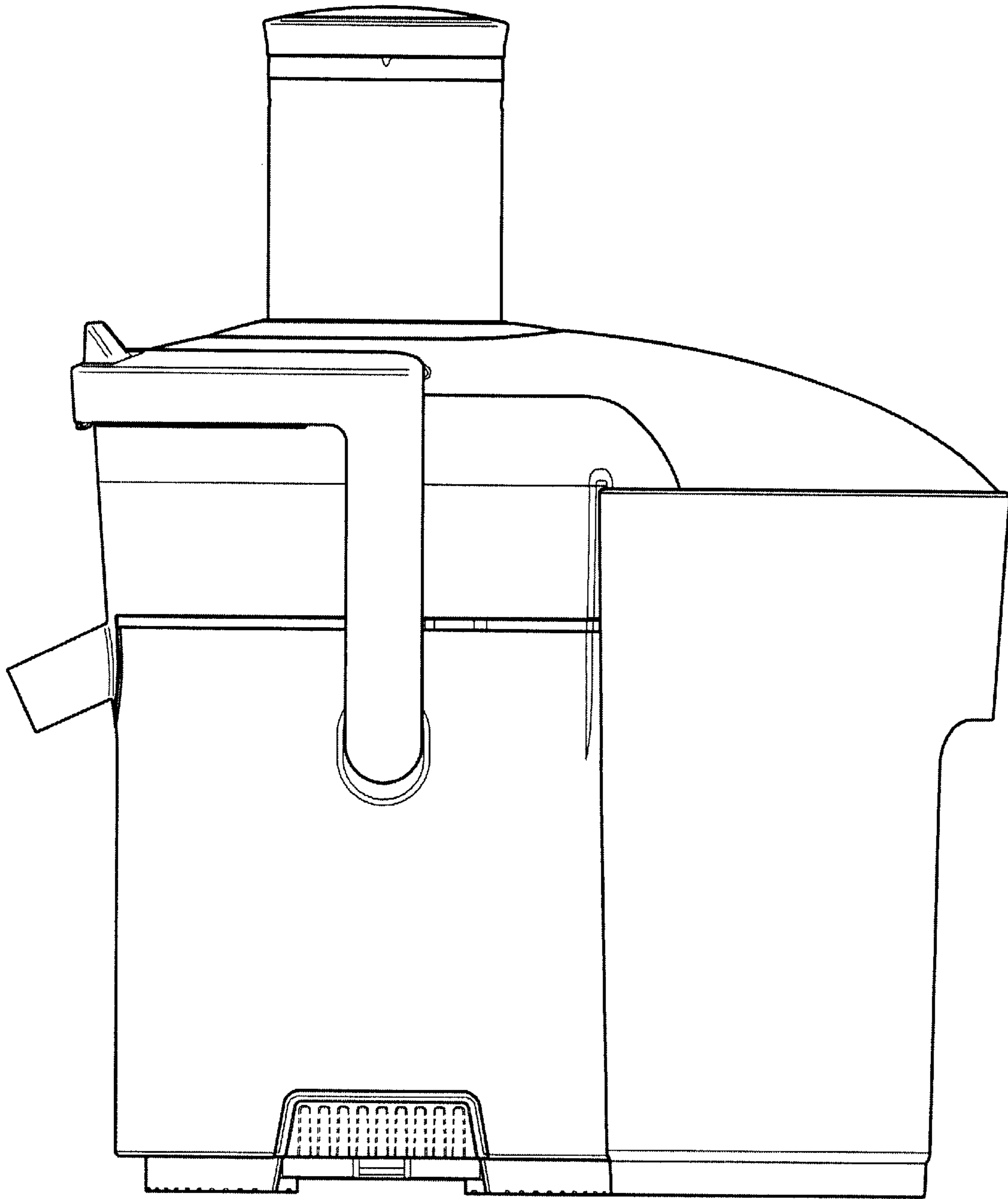


figure 9