

US00D538106S

(12) **United States Design Patent**
Julian

(10) **Patent No.:** **US D538,106 S**

(45) **Date of Patent:** **** Mar. 13, 2007**

(54) **RIB RACK**

(75) Inventor: **Margaret Julian**, Clyde, CA (US)

(73) Assignee: **Charcoal Companion Incorporated**,
Emeryville, CA (US)

(**) Term: **14 Years**

(21) Appl. No.: **29/239,023**

(22) Filed: **Sep. 23, 2005**

(51) **LOC (8) Cl.** **07-02**

(52) **U.S. Cl.** **D7/409**

(58) **Field of Classification Search** D7/323,
D7/354-361, 409; 99/324, 402, 422, 427,
99/421 A, 421 HH, 421 H, 421 R, 449, 450;
211/85.4; 220/573.1, 485, 491-494, 752,
220/759, 769, 912; 126/275 R; 294/33

See application file for complete search history.

(56) **References Cited**

U.S. PATENT DOCUMENTS

2,205,064	A	6/1940	Irwin	
2,214,137	A	9/1940	Irwin et al.	
2,376,640	A *	5/1945	Wall et al.	99/426
3,164,108	A *	1/1965	Romero	108/28
3,176,849	A *	4/1965	Peebles	211/50
3,405,631	A *	10/1968	Thomas, Jr.	99/426
3,407,802	A *	10/1968	Warner	126/25 R
3,536,000	A *	10/1970	Whitehill	99/425
D237,849	S *	12/1975	Hale	D6/463
D249,913	S *	10/1978	Nicely	D6/463
D260,227	S	8/1981	Bentson	

D306,926	S *	3/1990	Heller et al.	D32/55
D308,317	S	6/1990	Koziol	
5,103,799	A *	4/1992	Atanasio	126/9 R
D359,880	S	7/1995	Fielding et al.	
D433,712	S *	11/2000	Walsh	D19/90
6,273,276	B1 *	8/2001	Upton et al.	211/59.2
2006/0108298	A1 *	5/2006	Kim	211/41.8

OTHER PUBLICATIONS

Charcoal Companion, Product Catalog, 2004, selected pages.

* cited by examiner

Primary Examiner—Cathron C. Brooks

Assistant Examiner—Ricky Pham

(74) *Attorney, Agent, or Firm*—Donald L. Beeson; Beeson Skinner Beverly, LLP

(57) **CLAIM**

The ornamental design for a rib rack, as shown and described.

DESCRIPTION

FIG. 1 is a top perspective view of a rib rack showing my new design;

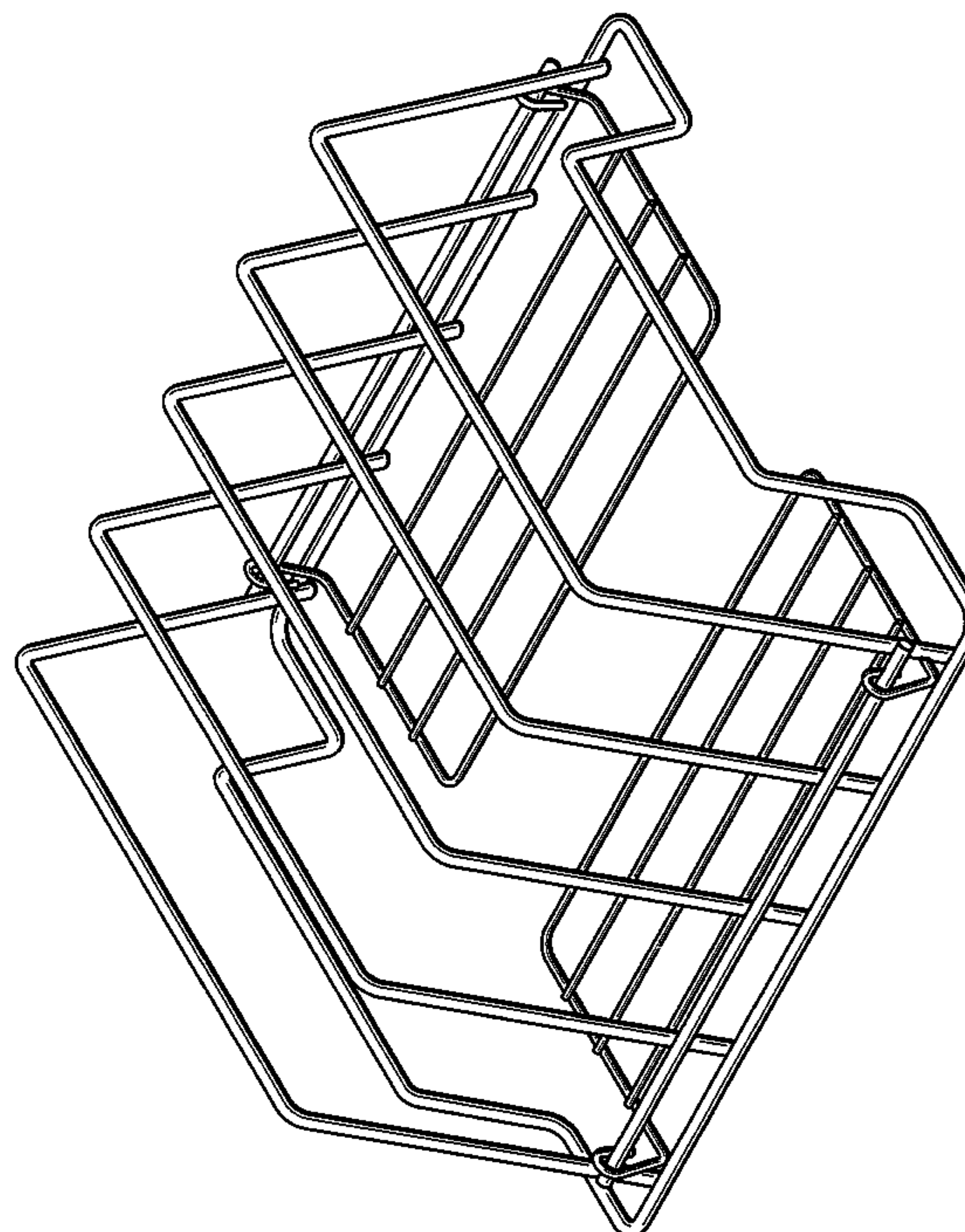
FIG. 2 is a front elevational view thereof, the rear being a mirror image;

FIG. 3 is a left side elevational view thereof, the right side being a mirror image;

FIG. 4 is a top plan view thereof; and,

FIG. 5 is a bottom plan view thereof.

1 Claim, 4 Drawing Sheets



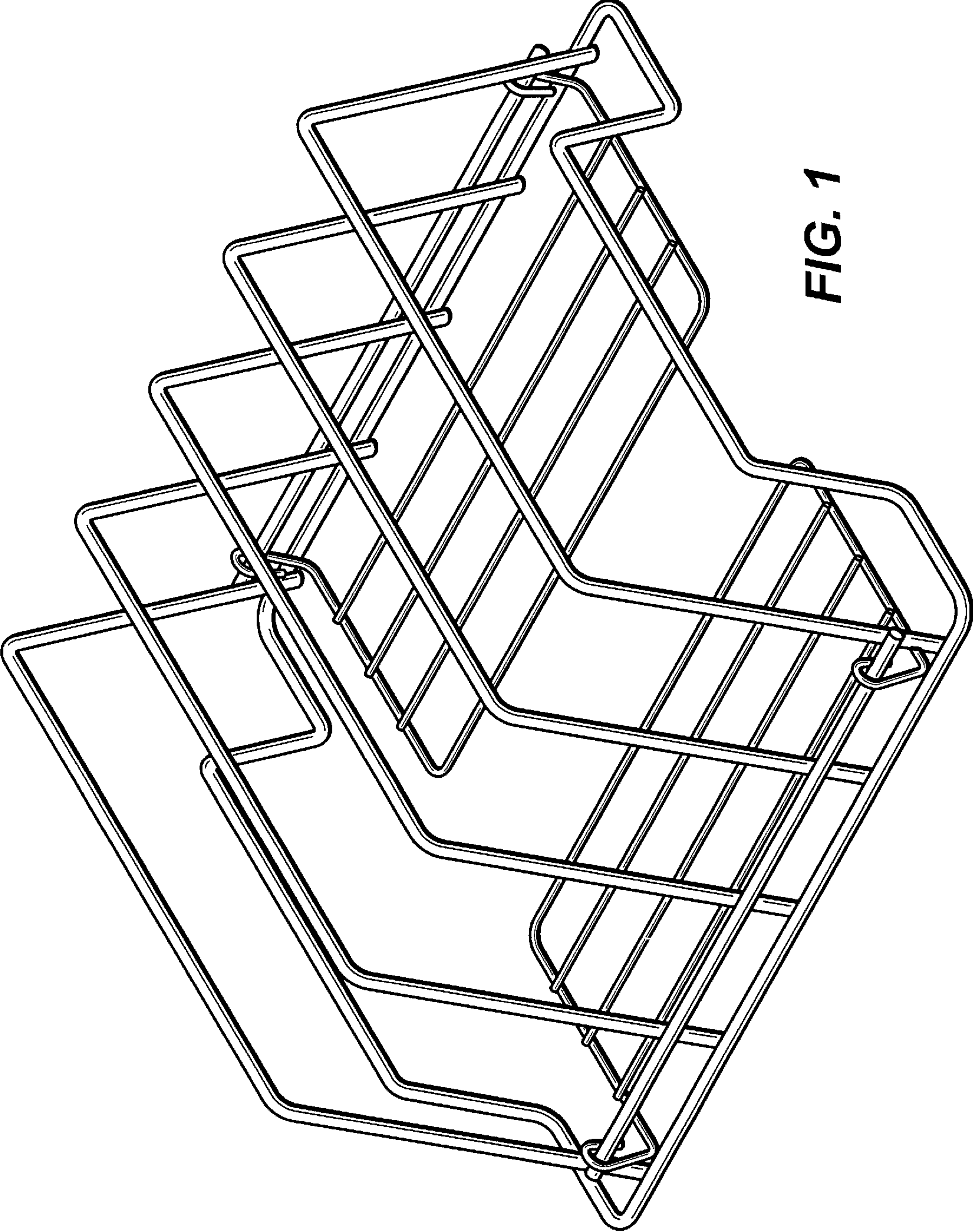


FIG. 1

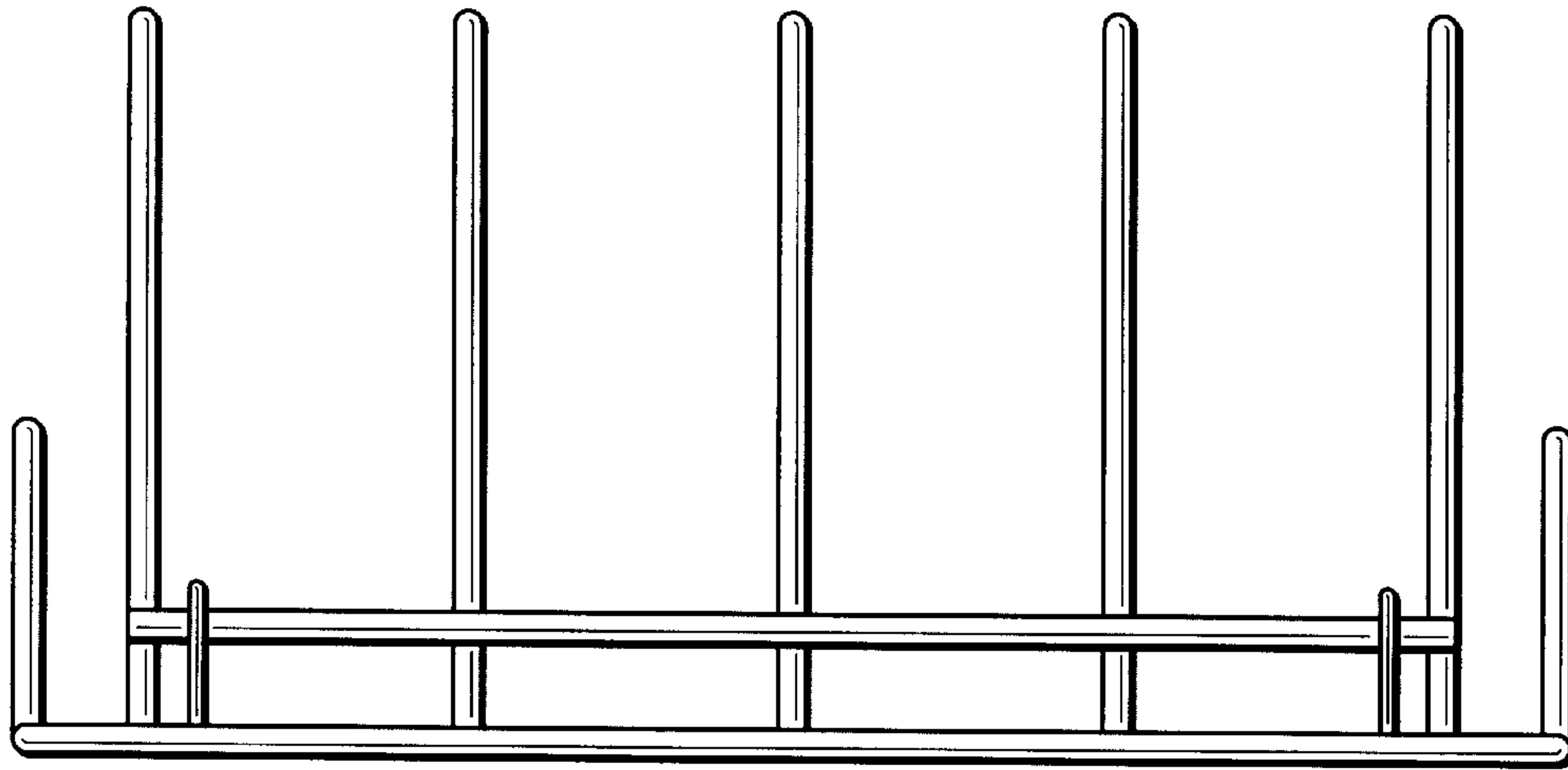


FIG. 2

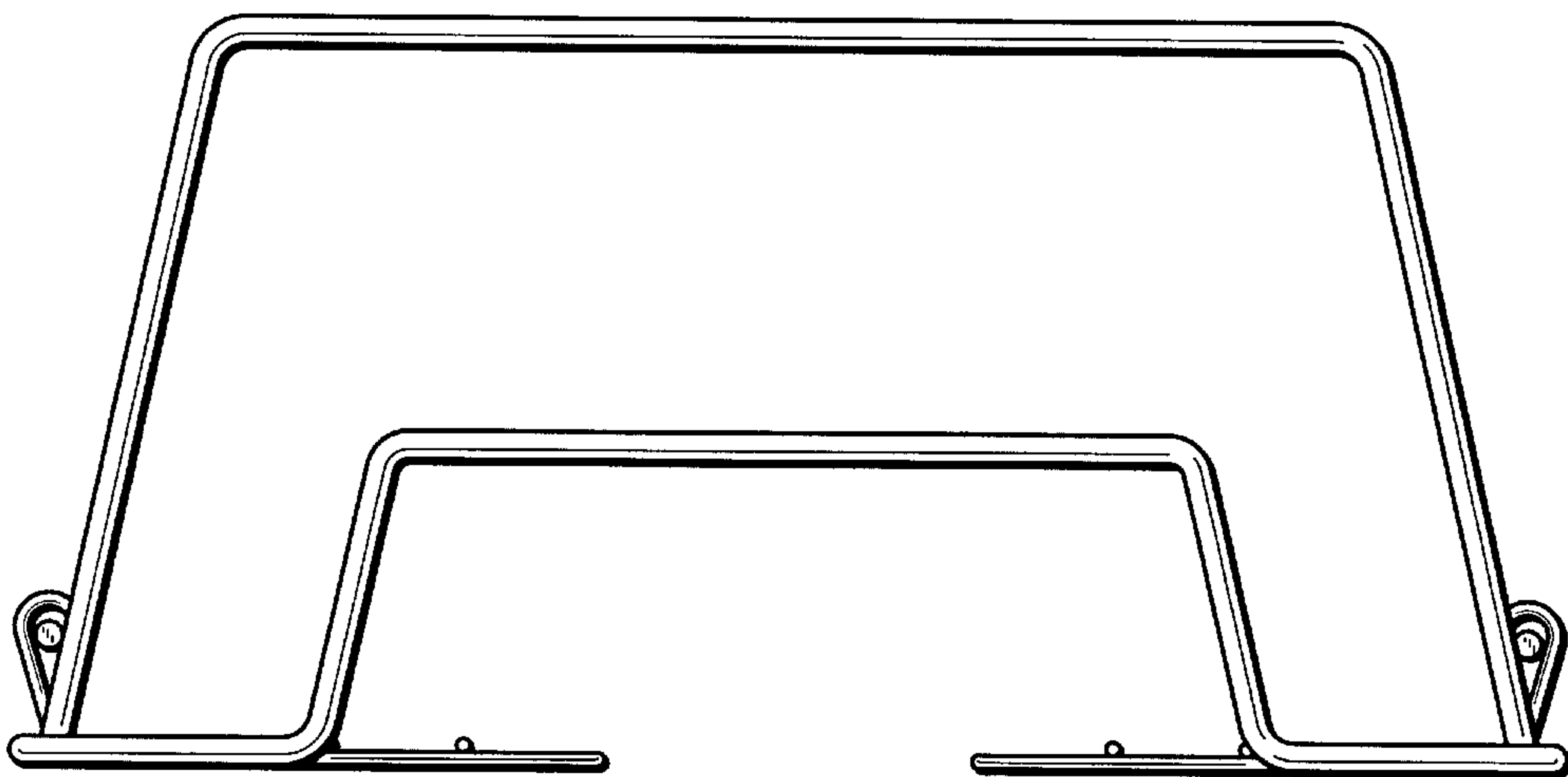


FIG. 3

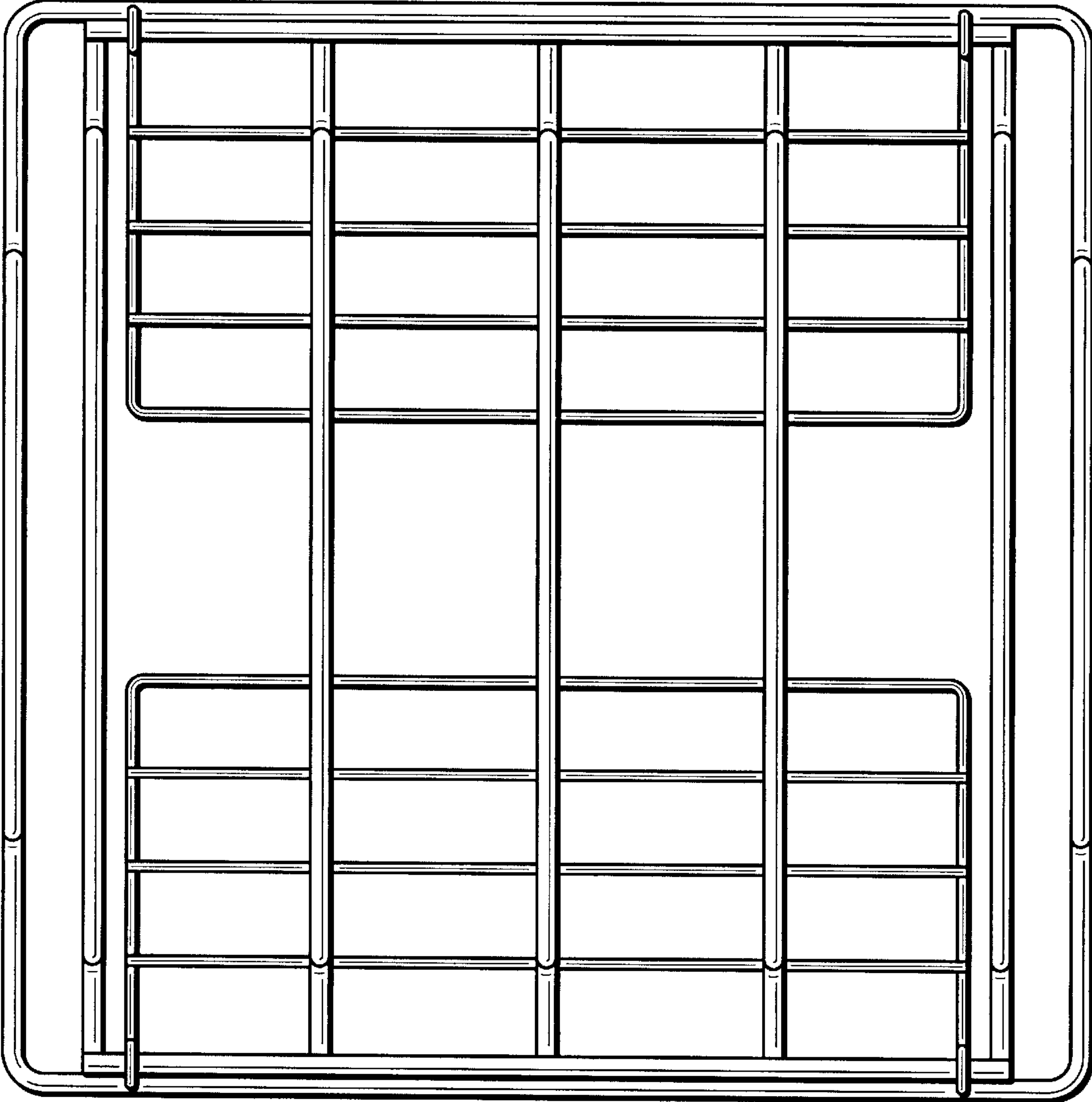


FIG. 4

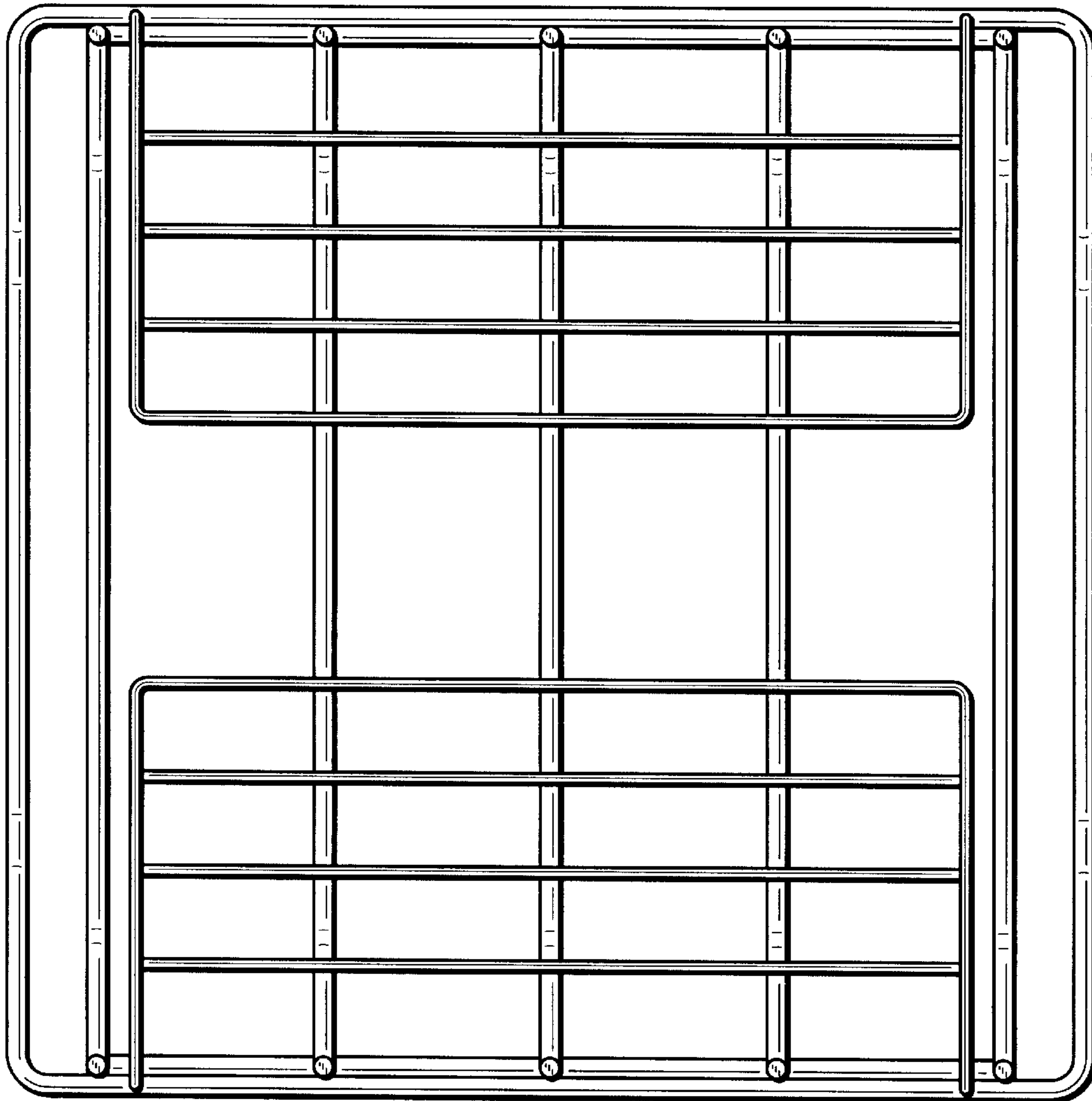


FIG. 5