

US00D538104S

(12) **United States Design Patent**
Nipke

(10) **Patent No.:** **US D538,104 S**

(45) **Date of Patent:** **** Mar. 13, 2007**

- (54) **A-FRAME GRILL CART**
- (75) Inventor: **Mike Nipke**, Grandville, MI (US)
- (73) Assignee: **Vendor Development Group**, Grand Rapids, MI (US)
- (**) Term: **14 Years**

- D395,378 S * 6/1998 Schlosser et al. D7/403
- D428,303 S * 7/2000 Wagner et al. D7/403
- D472,422 S * 4/2003 Pai D7/334
- D474,063 S * 5/2003 Eisinger et al. D7/334
- D480,595 S * 10/2003 Pai D7/334
- D488,026 S * 4/2004 Tseng D7/403
- D516,861 S * 3/2006 Nipke D7/403

* cited by examiner

- (21) Appl. No.: **29/240,054**
- (22) Filed: **Oct. 7, 2005**

Primary Examiner—Ruth McInroy
(74) *Attorney, Agent, or Firm*—McAndrews, Held & Malloy

Related U.S. Application Data

- (63) Continuation of application No. 29/205,241, filed on May 10, 2004.
- (51) **LOC (8) Cl.** **07-02**
- (52) **U.S. Cl.** **D7/402**
- (58) **Field of Classification Search** D7/332, D7/334–337, 402–405; 126/9 R, 9 B, 25 R, 126/25 A, 25 AA, 37 R, 41 R, 38, 40, 50, 126/276, 304 R, 305; 108/115; 99/419, 450; 248/129, 163.1, 166, 188.6, 250
See application file for complete search history.

(57) **CLAIM**

The ornamental design for the a-frame grill cart, as shown and described.

DESCRIPTION

FIG. 1 is a perspective view of an a-frame grill cart according to the present invention;
FIG. 2 is a left-side view of the grill cart of FIG. 1;
FIG. 3 is a front view of the grill cart of FIG. 1;
FIG. 4 is a right-side view of the grill cart of FIG. 1;
FIG. 5 is a rear view of the grill cart of FIG. 1;
FIG. 6 is a top view of the grill cart of FIG. 1; and,
FIG. 7 is a bottom view of the grill cart of FIG. 1.

(56) **References Cited**

U.S. PATENT DOCUMENTS

- D375,436 S * 11/1996 Bird et al. D7/403

1 Claim, 4 Drawing Sheets

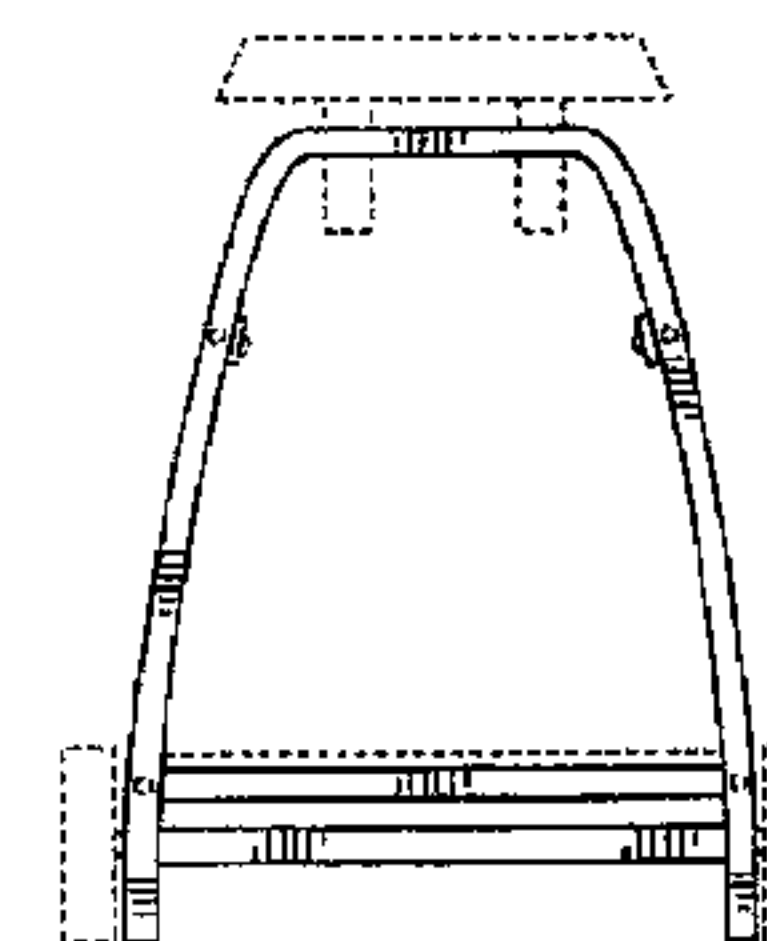
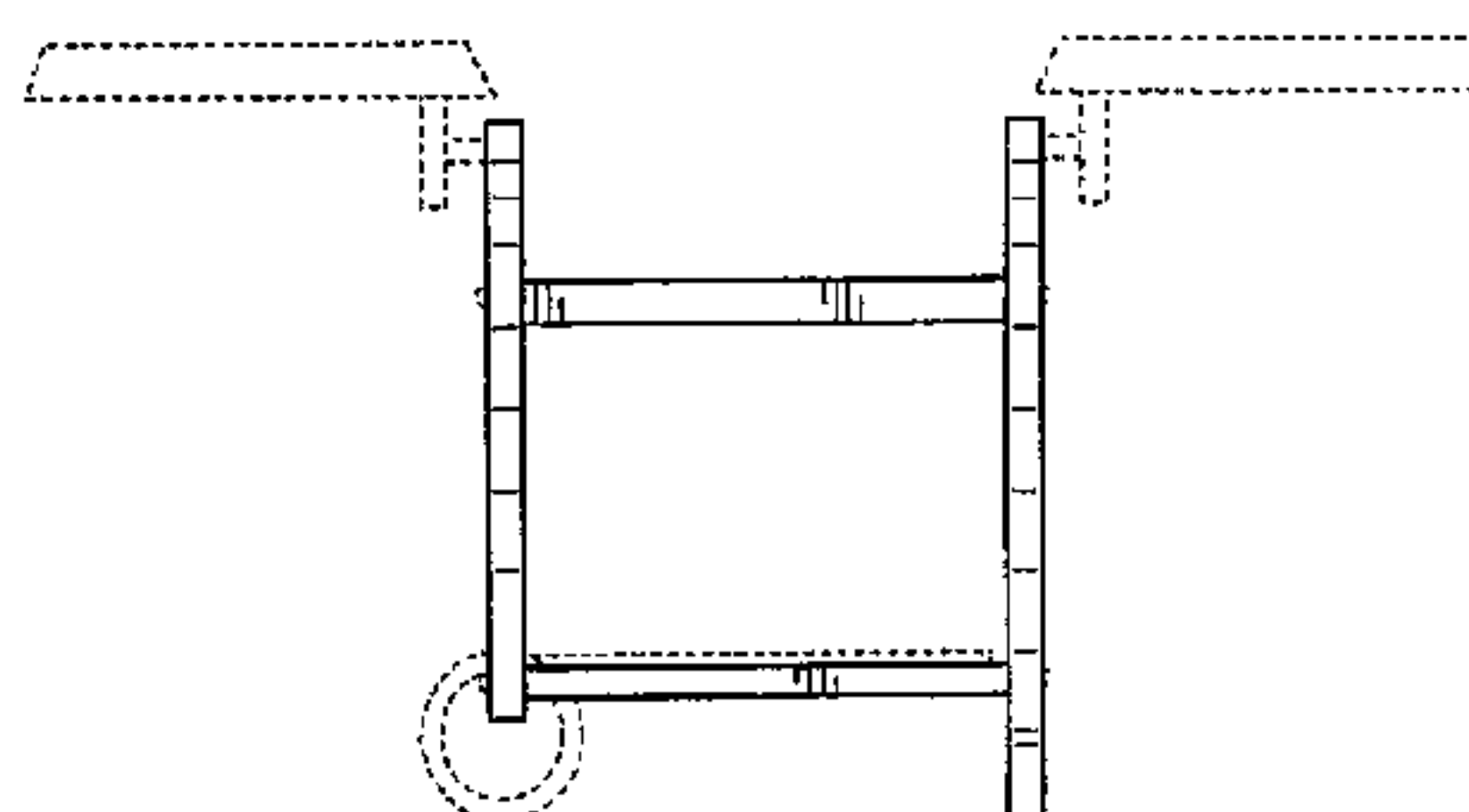
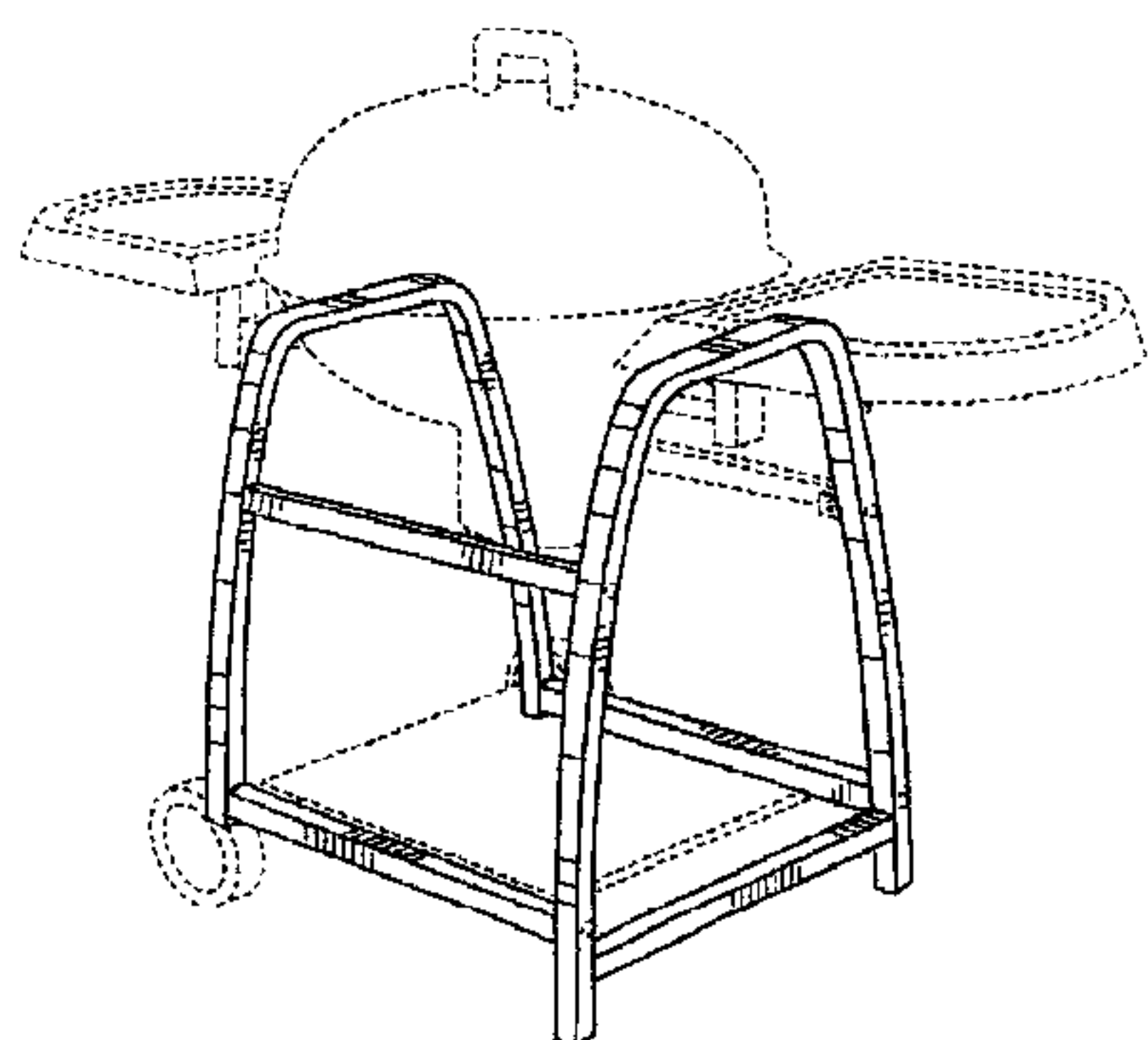


Fig. 1

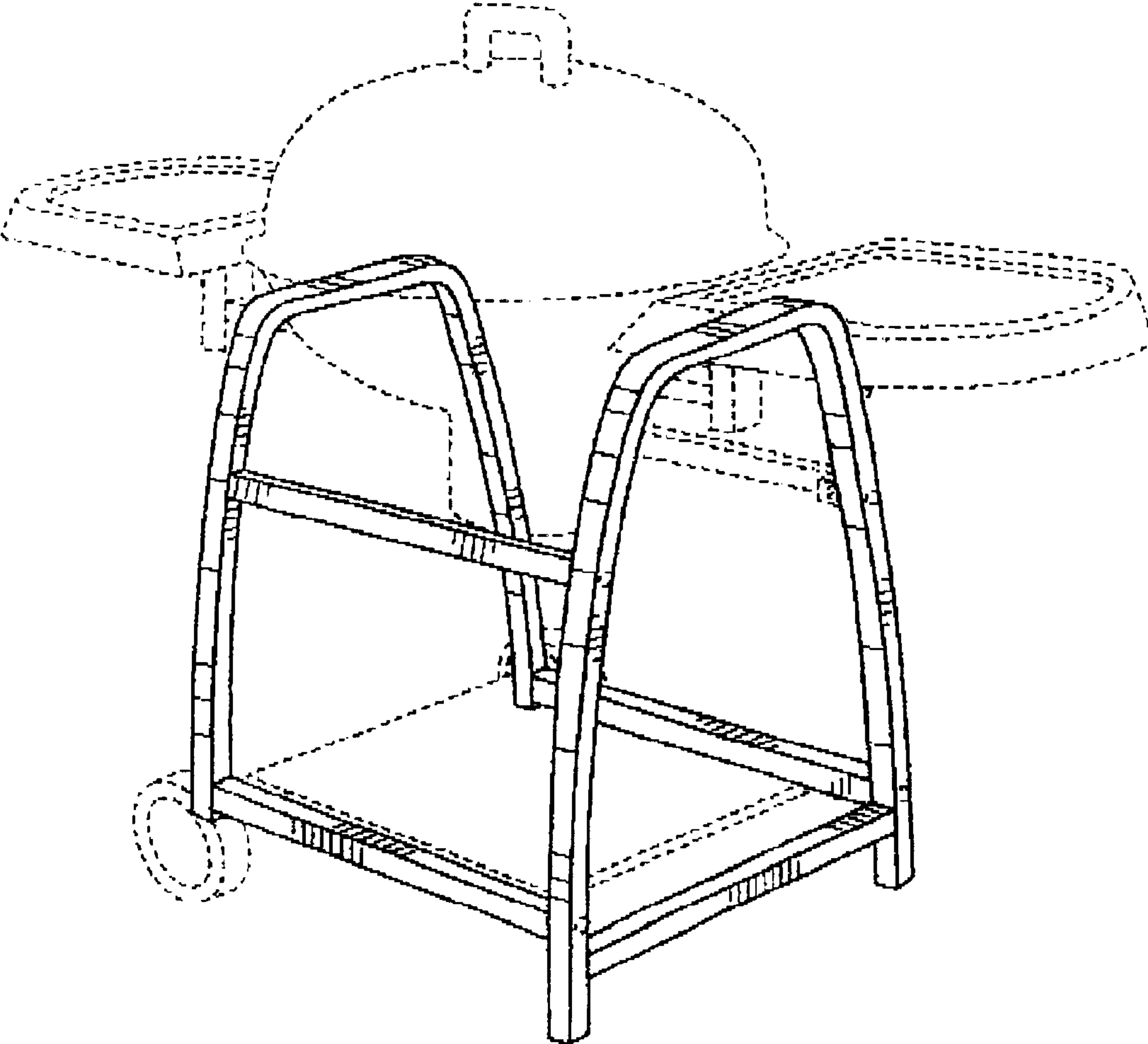


Fig. 3

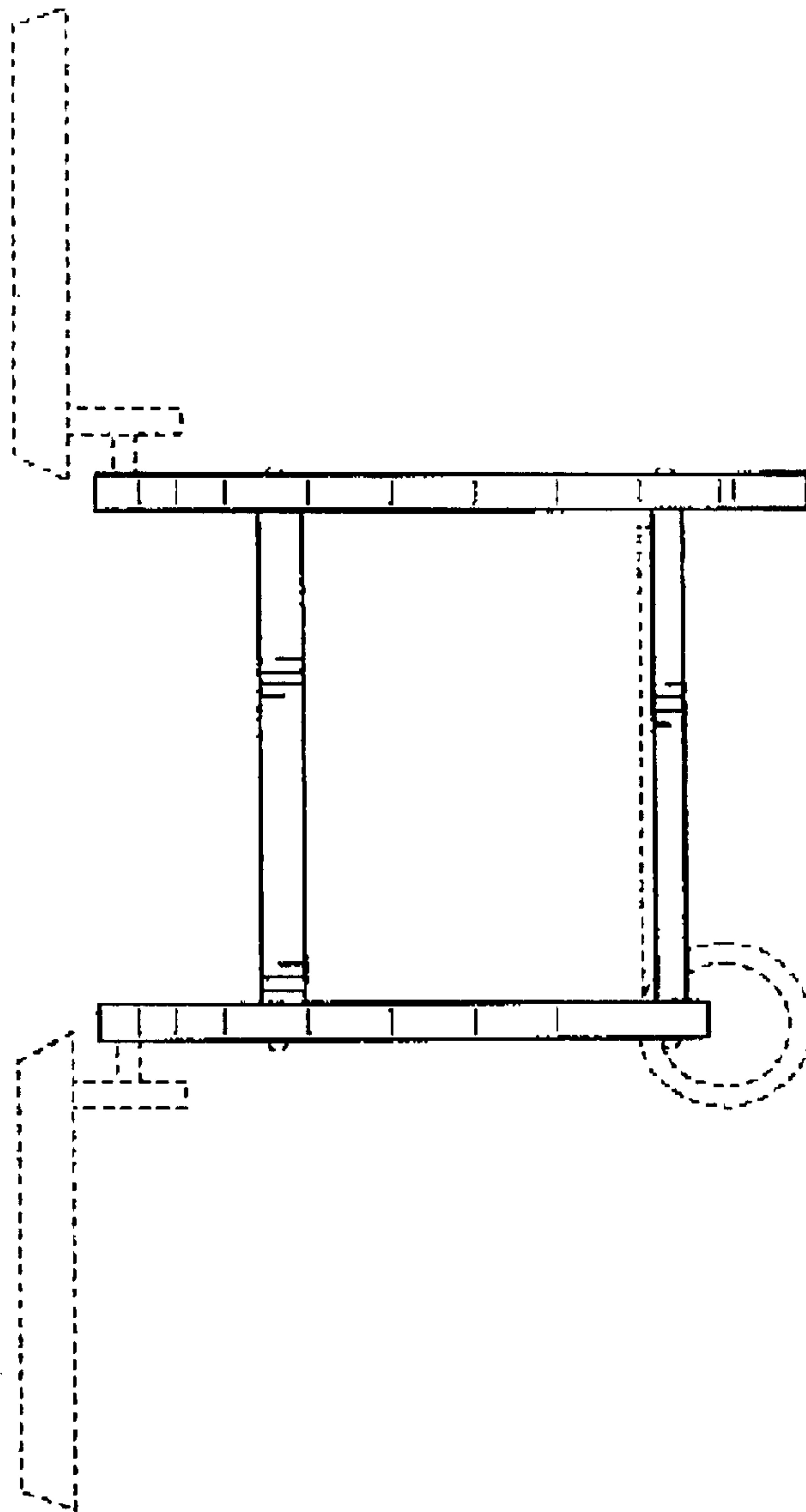


Fig. 2

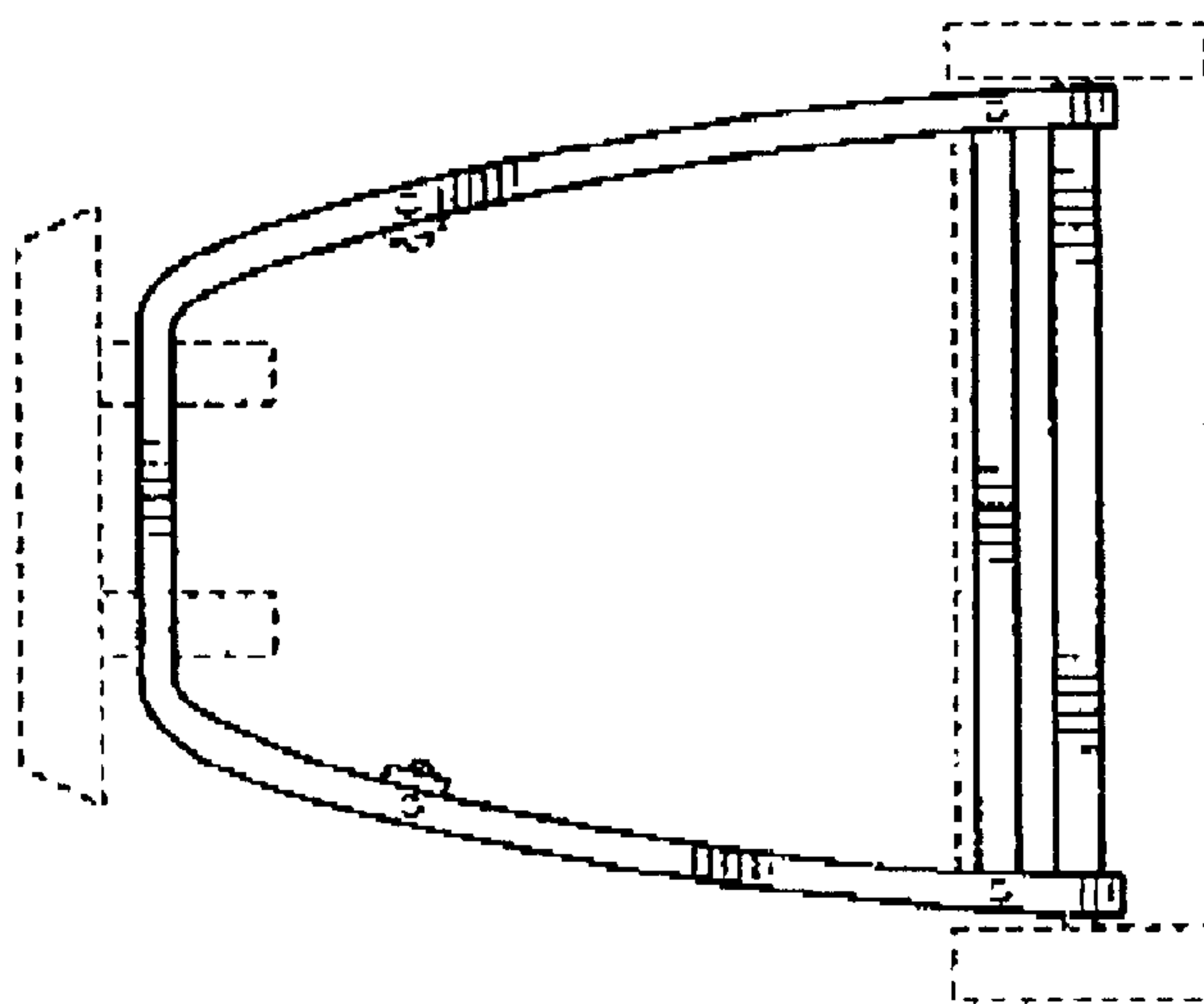


Fig. 5

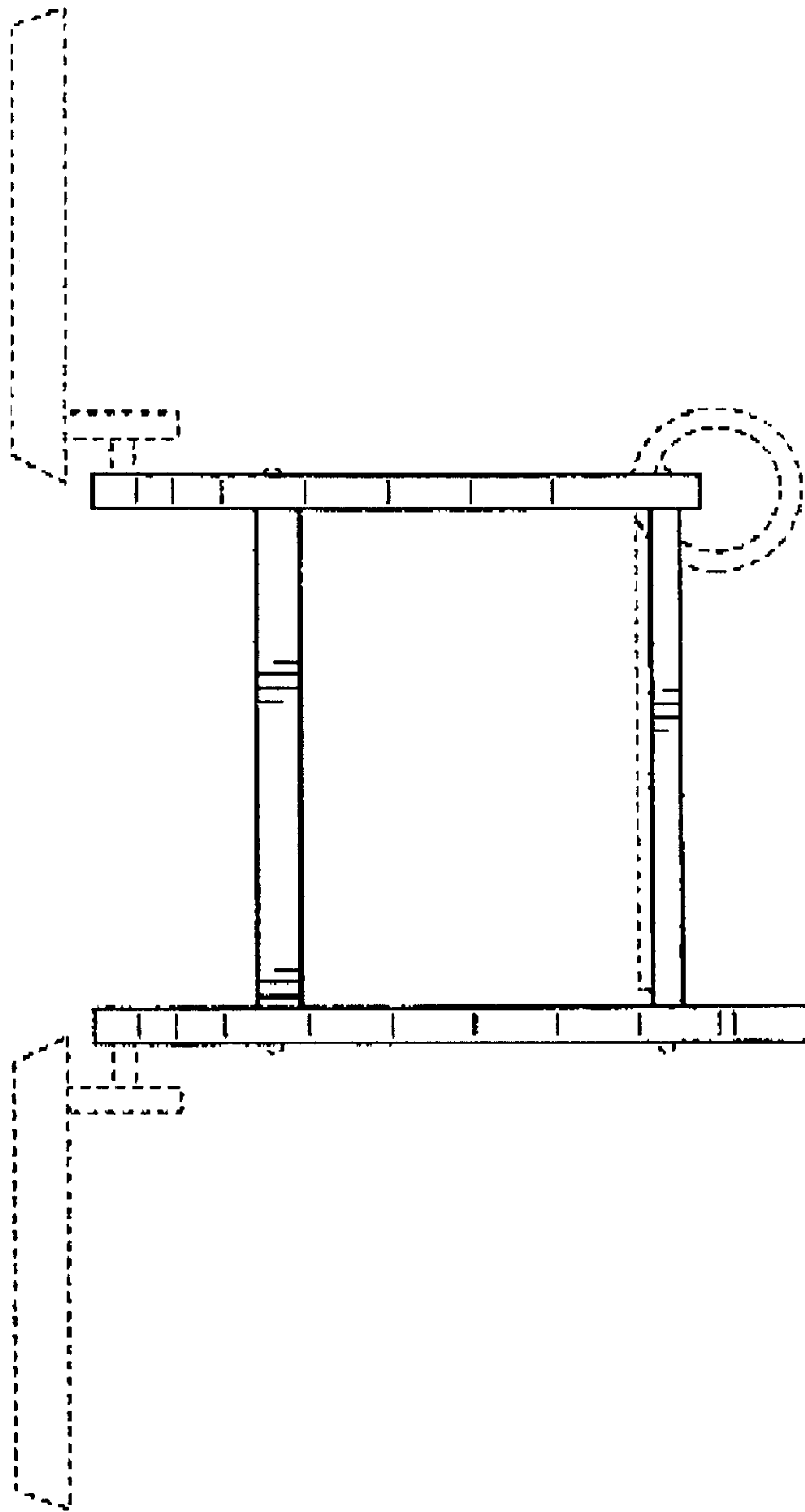


Fig. 4

