



US00D538103S

(12) **United States Design Patent**  
**Tetreault et al.**

(10) **Patent No.:** **US D538,103 S**

(45) **Date of Patent:** **\*\* Mar. 13, 2007**

(54) **CUTLERY IMPLEMENT**

(75) Inventors: **Joel Tetreault**, Haskins, OH (US);  
**Brian Demers**, Huntersville, NC (US)

(73) Assignee: **Calphalon Corporation**, Freeport, IL (US)

(\*\*) Term: **14 Years**

(21) Appl. No.: **29/218,494**

(22) Filed: **Dec. 3, 2004**  
(Under 37 CFR 1.47)

(51) **LOC (8) Cl.** ..... **07-02**

(52) **U.S. Cl.** ..... **D7/401.2**

(58) **Field of Classification Search** ..... D7/393,  
D7/395, 401.2, 642, 645, 649, 650, 652, 653,  
D7/662-664; D8/75, 80, 83, 87, 98, 99, 102,  
D8/107, 300, 303; 30/142, 346, 147-150,  
30/329, 340, 342-345; D22/117, 118  
See application file for complete search history.

(56) **References Cited**

U.S. PATENT DOCUMENTS

|             |   |         |               |       |         |
|-------------|---|---------|---------------|-------|---------|
| D136,445 S  | * | 10/1943 | Gerber        | ..... | D7/649  |
| D169,413 S  | * | 4/1953  | Bordelon      | ..... | D7/649  |
| D172,132 S  | * | 5/1954  | Dallessandro  | ..... | D7/649  |
| D192,961 S  | * | 6/1962  | Baer          | ..... | D7/649  |
| D269,244 S  | * | 6/1983  | Becher et al. | ..... | D7/650  |
| 4,712,304 A | * | 12/1987 | Sanelli       | ..... | 300/343 |
| D316,015 S  | * | 4/1991  | DiGangi       | ..... | D7/649  |
| D403,559 S  | * | 1/1999  | Terenzio      | ..... | D7/650  |

|            |   |        |           |       |        |
|------------|---|--------|-----------|-------|--------|
| D410,176 S | * | 5/1999 | Stokes    | ..... | D7/649 |
| D458,516 S | * | 6/2002 | Parlowski | ..... | D7/649 |
| D458,517 S | * | 6/2002 | Parlowski | ..... | D7/649 |
| D494,411 S | * | 8/2004 | Chen      | ..... | D8/107 |
| D503,540 S | * | 4/2005 | Barber    | ..... | D4/138 |

\* cited by examiner

*Primary Examiner*—Cathron C. Brooks

*Assistant Examiner*—Ricky Pham

(74) *Attorney, Agent, or Firm*—Foley & Lardner LLP

(57) **CLAIM**

The ornamental design for the cutlery implement, as shown and described.

**DESCRIPTION**

FIG. 1 is a perspective rear and left side view of the cutlery implement showing the new design;  
FIG. 2 is a left side elevation view of the cutlery implement of FIG. 1; the right side view being identical;  
FIG. 3 is a top plan view of the cutlery implement of FIG. 1;  
FIG. 4 is a bottom plan view of the cutlery implement of FIG. 1;  
FIG. 5 is a front elevation view of the cutlery implement of FIG. 1; and,  
FIG. 6 is a rear elevation view of the cutlery implement of FIG. 1.

The ornamental design which is claimed is shown in solid lines in the drawings. The broken lines in the drawings are for illustrative purposes only and form no part of the claimed design.

**1 Claim, 3 Drawing Sheets**

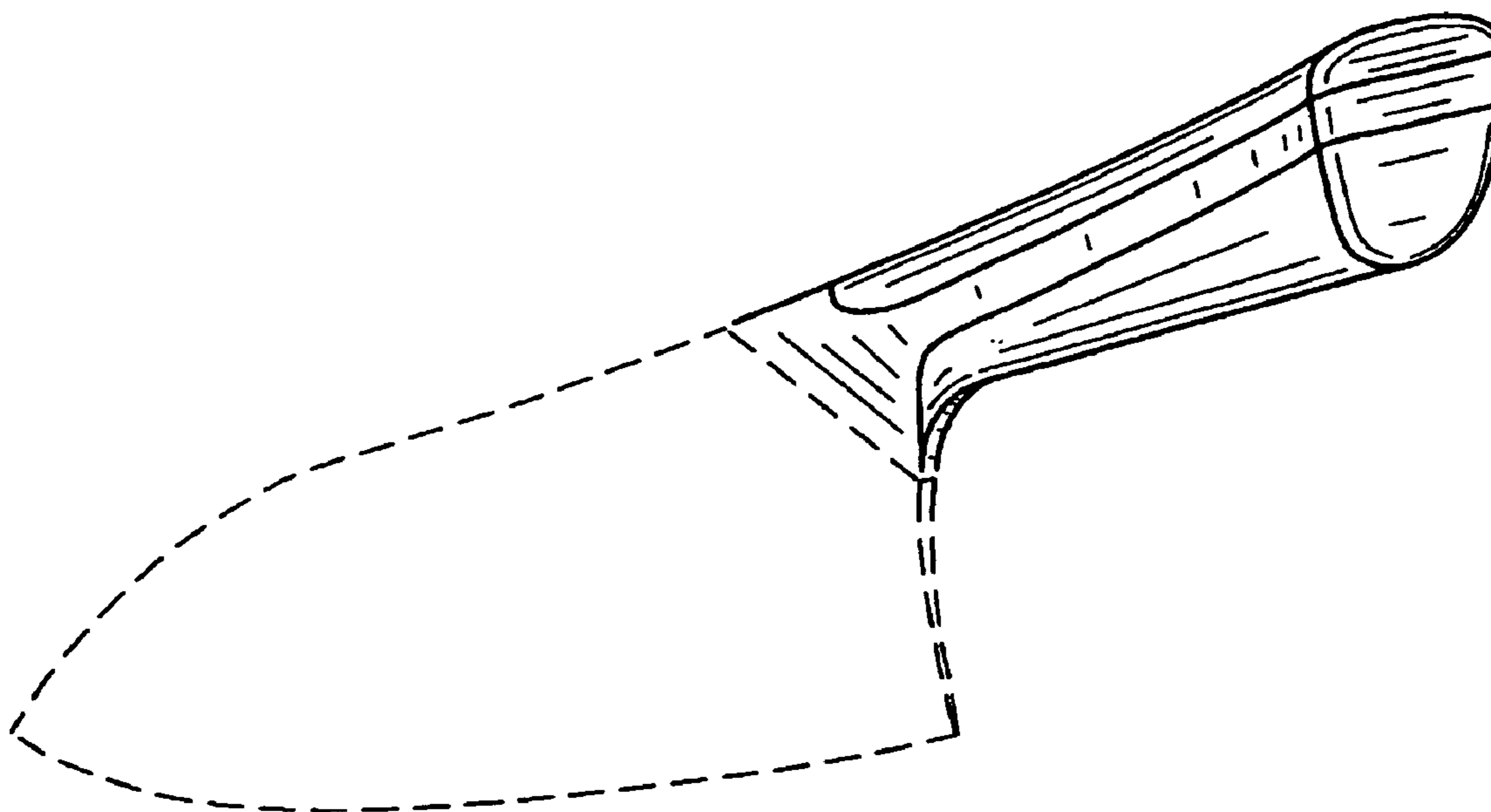


FIG. 1

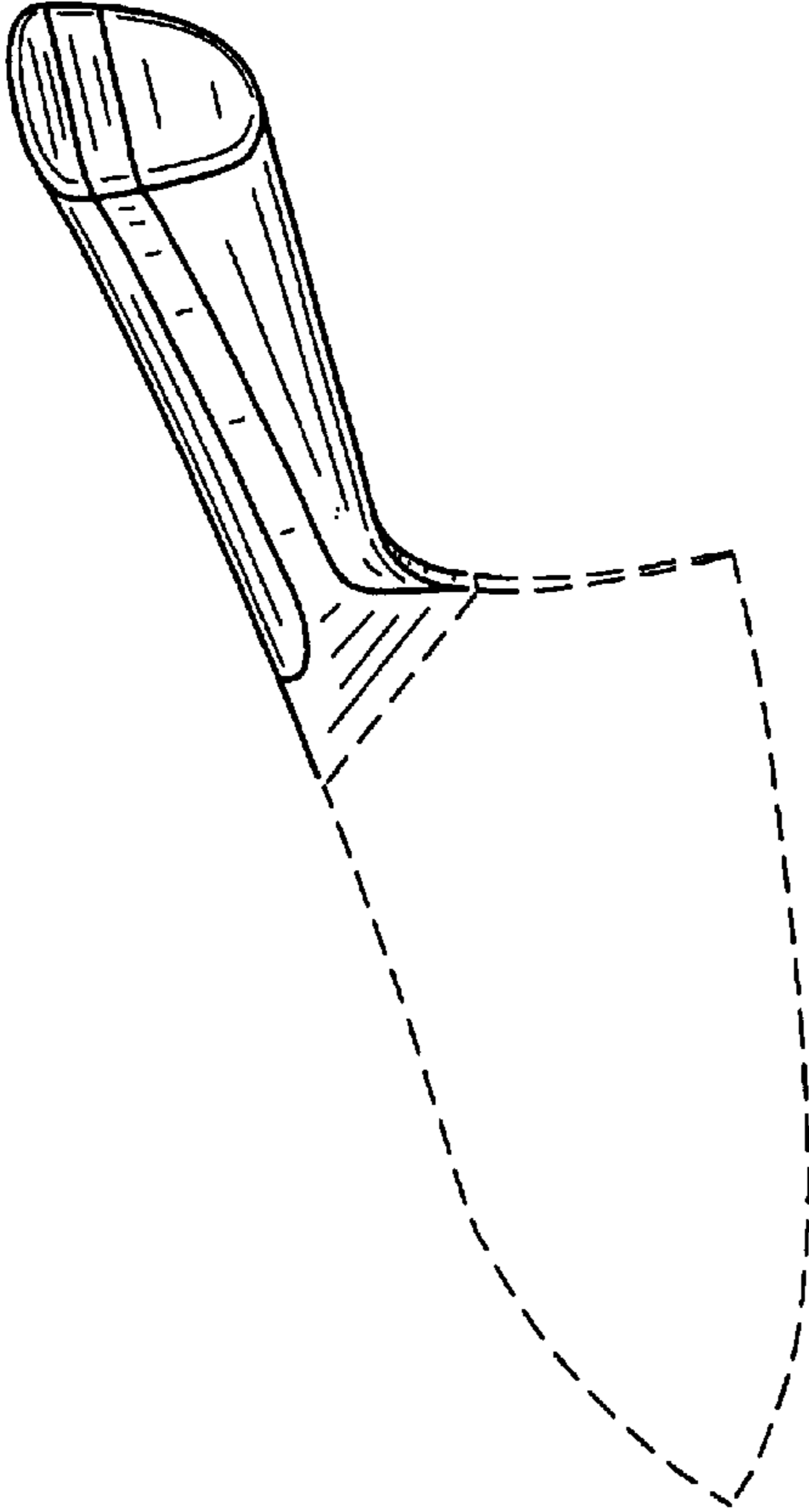


FIG. 2

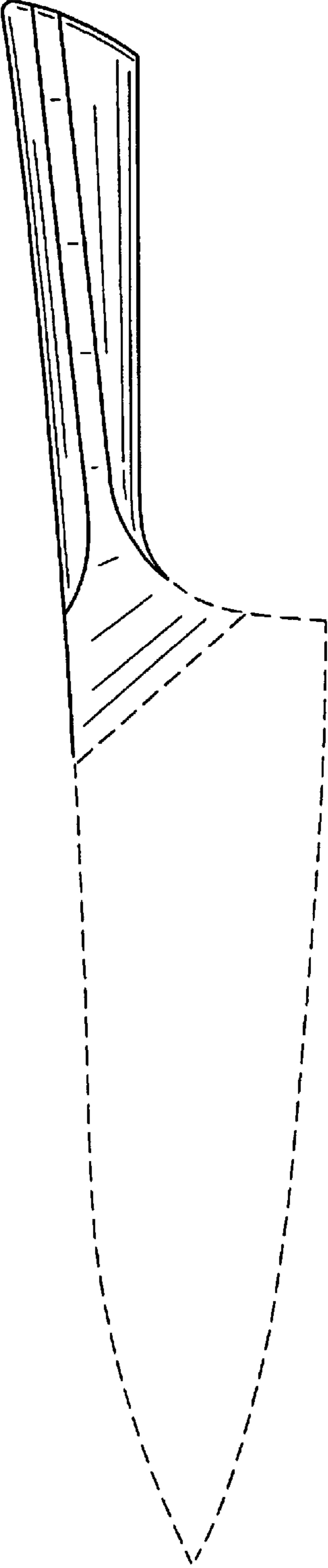


FIG. 3

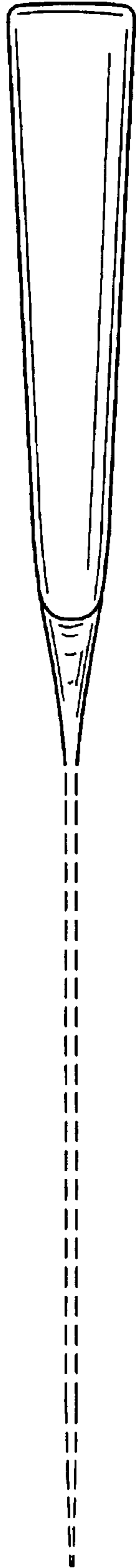


FIG. 4

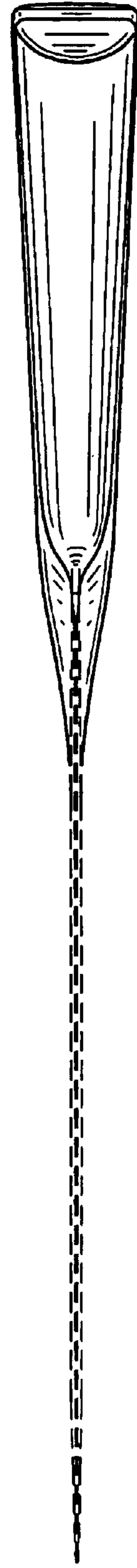


FIG. 5

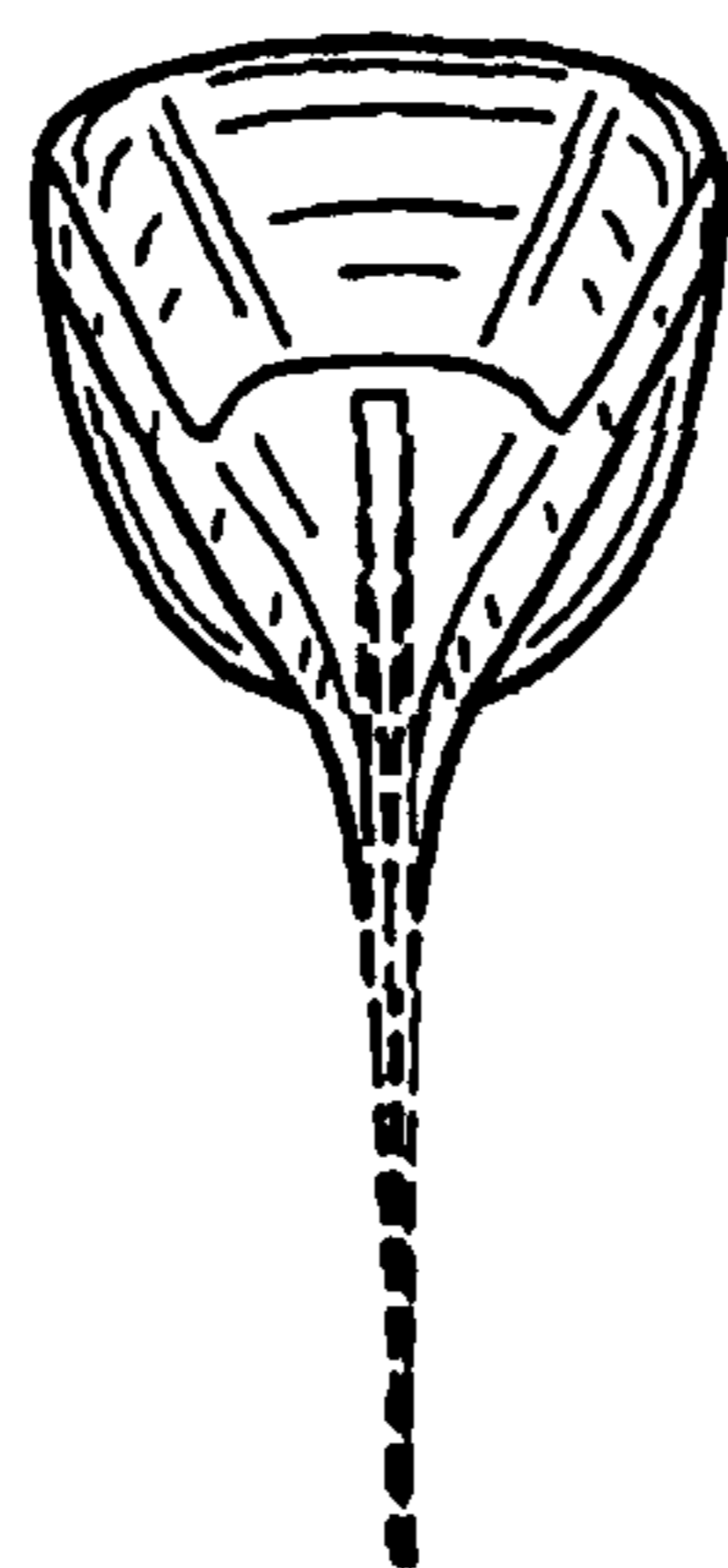


FIG. 6

