

US00D538099S

(12) **United States Design Patent**
Fouquet

(10) **Patent No.: US D538,099 S**

(45) **Date of Patent: ** Mar. 13, 2007**

(54) **COFFEE GRINDER**

D488,024 S * 4/2004 Li D7/373
D495,197 S * 8/2004 Lassota et al. D7/373

(75) Inventor: **Nicolas Fouquet**, Lyons (FR)

* cited by examiner

(73) Assignee: **Santos**, Vaulx-en-Velin (FR)

Primary Examiner—Catherine R. Oliver

(**) Term: **14 Years**

(74) *Attorney, Agent, or Firm*—Sughrue Mion, PLLC

(21) Appl. No.: **29/255,353**

(57) **CLAIM**

(22) Filed: **Mar. 8, 2006**

The ornamental design for a coffee grinder, as shown.

(30) **Foreign Application Priority Data**

DESCRIPTION

Sep. 9, 2005 (EM) 000398672-0001

(51) **LOC (8) Cl.** **31-00**

(52) **U.S. Cl.** **D7/373**

(58) **Field of Classification Search** D7/373,
D7/305–306, 309–311; 392/480; 312/228;
99/280, 288, 295, 304, 284, 286

See application file for complete search history.

FIG. 1 is a perspective view of the top, front, and right side of a coffee grinder showing my new design;

FIG. 2 is a front elevational view thereof;

FIG. 3 is a rear elevational view thereof;

FIG. 4 is a right side elevational view thereof;

FIG. 5 is a left side elevational view thereof;

FIG. 6 is a top plan view thereof; and,

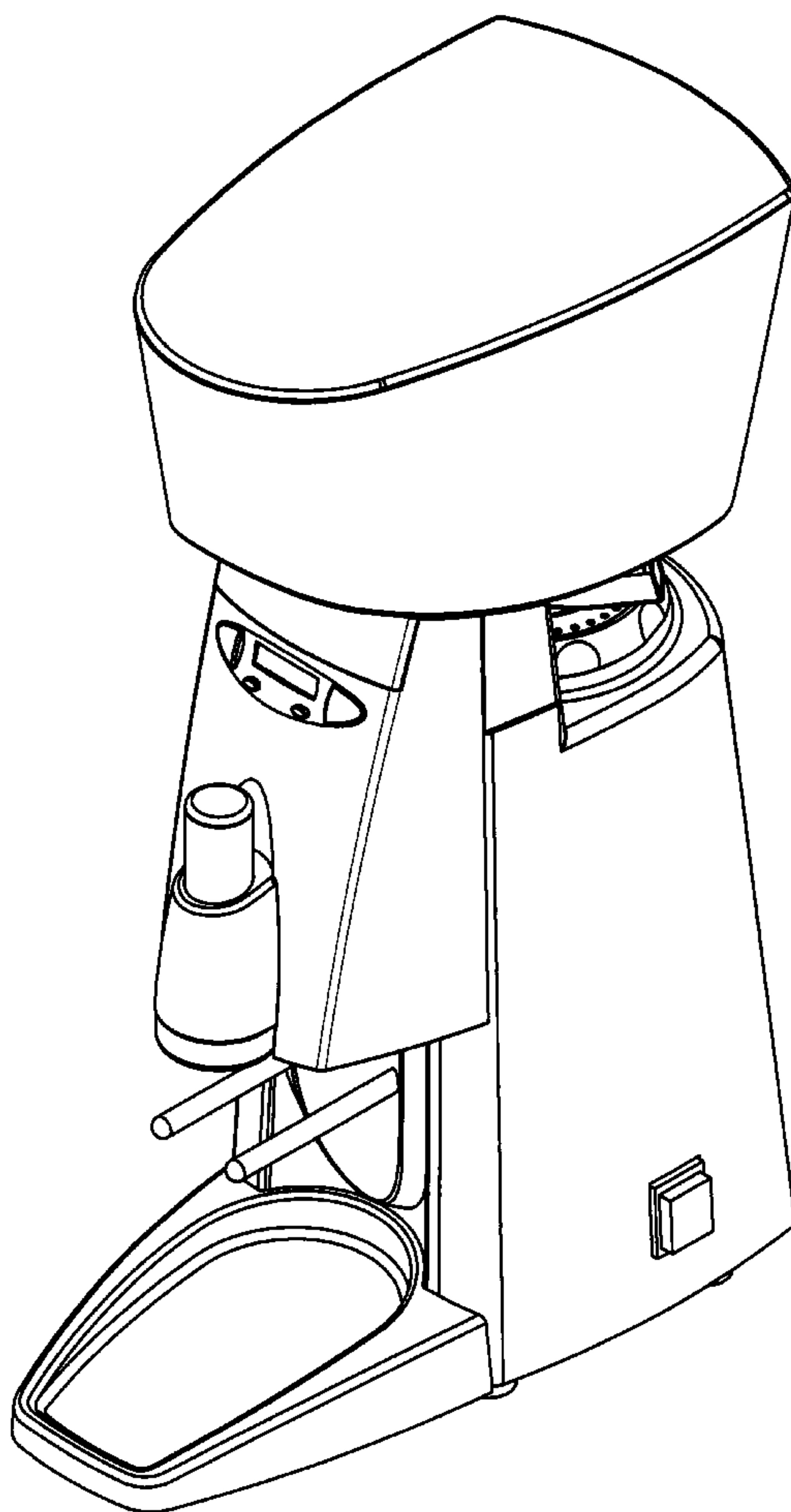
FIG. 7 is a bottom plan view thereof.

(56) **References Cited**

U.S. PATENT DOCUMENTS

D361,919 S * 9/1995 Fouquet D7/373

1 Claim, 7 Drawing Sheets



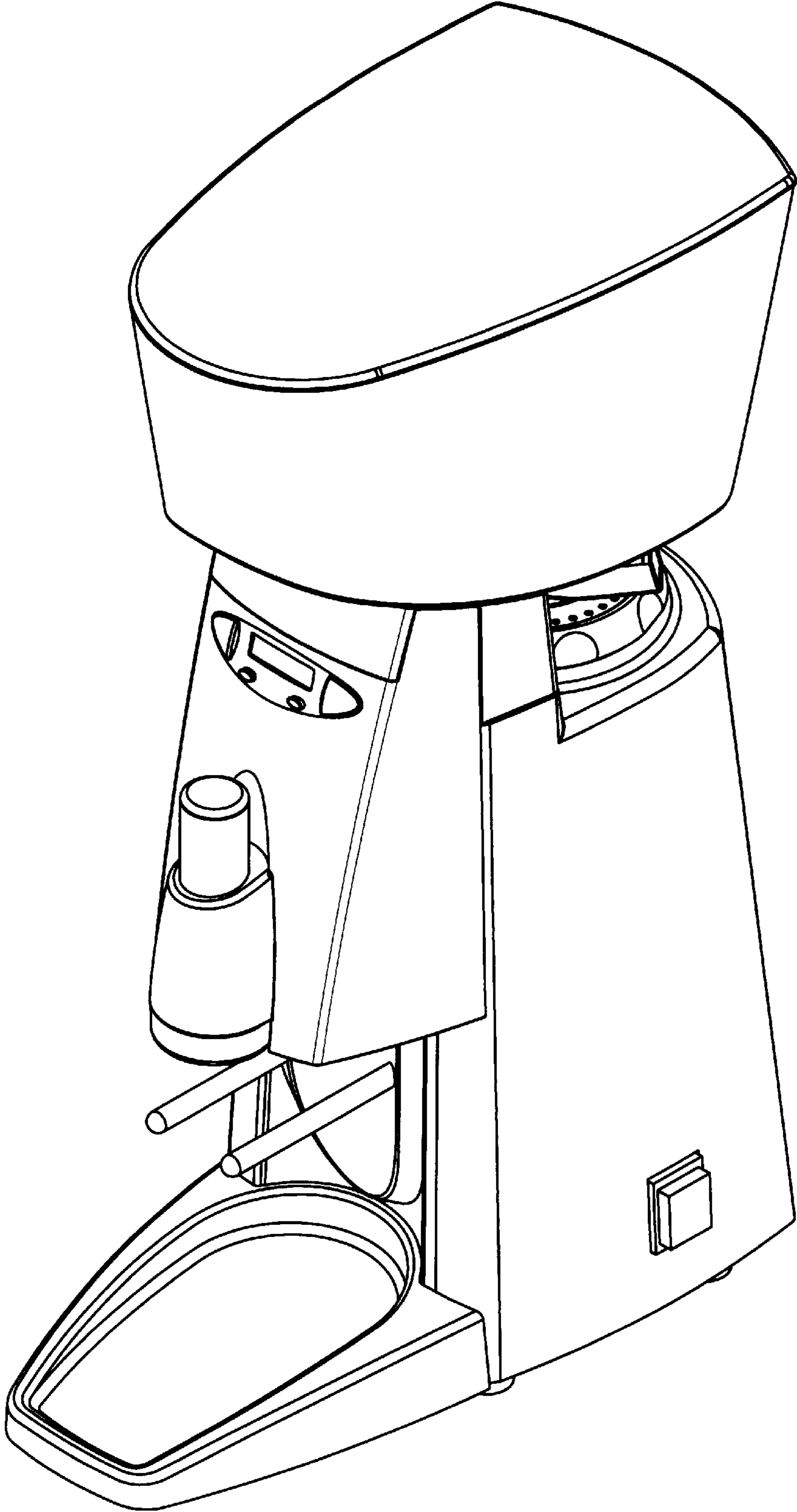


FIGURE 1

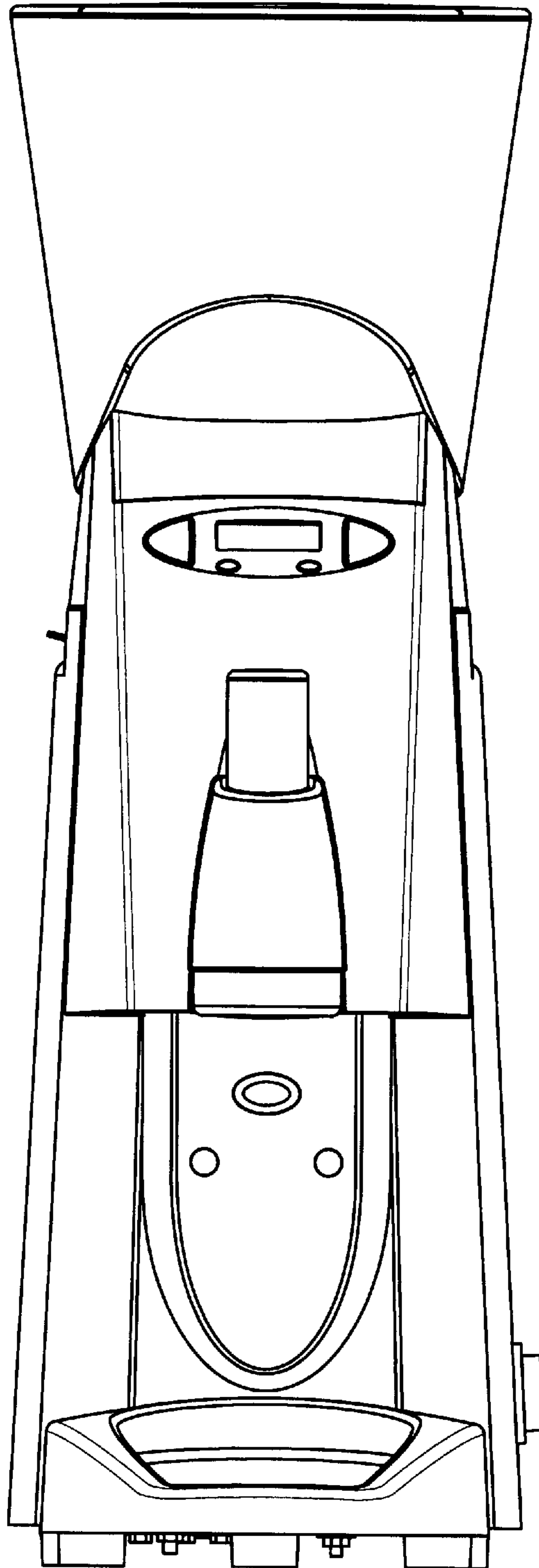


FIGURE 2

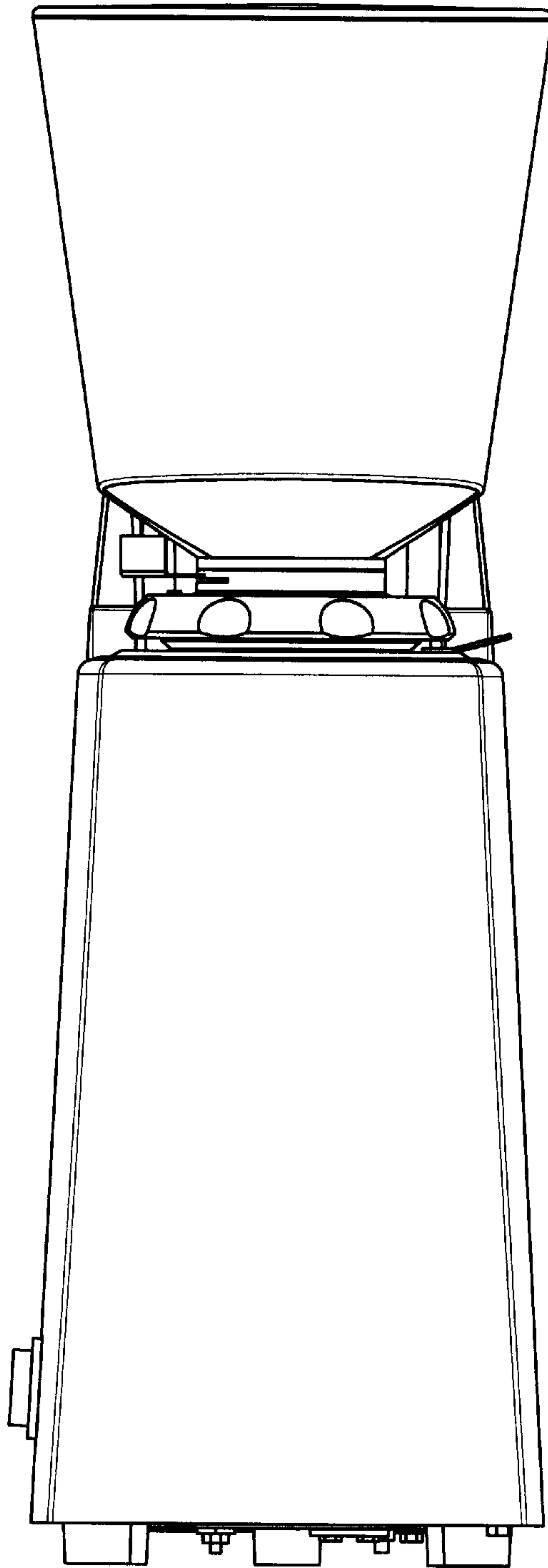


FIGURE 3

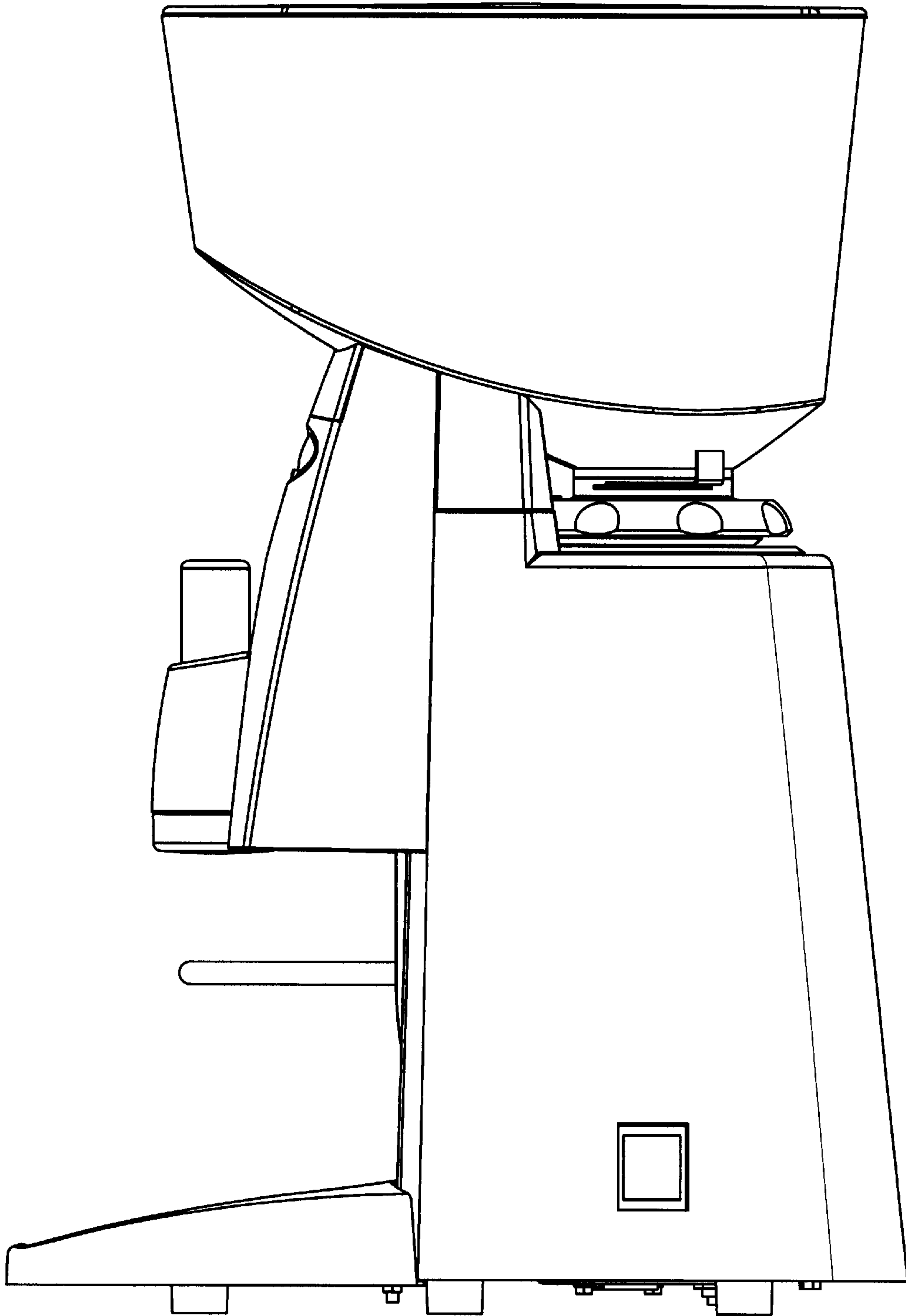


FIGURE 4

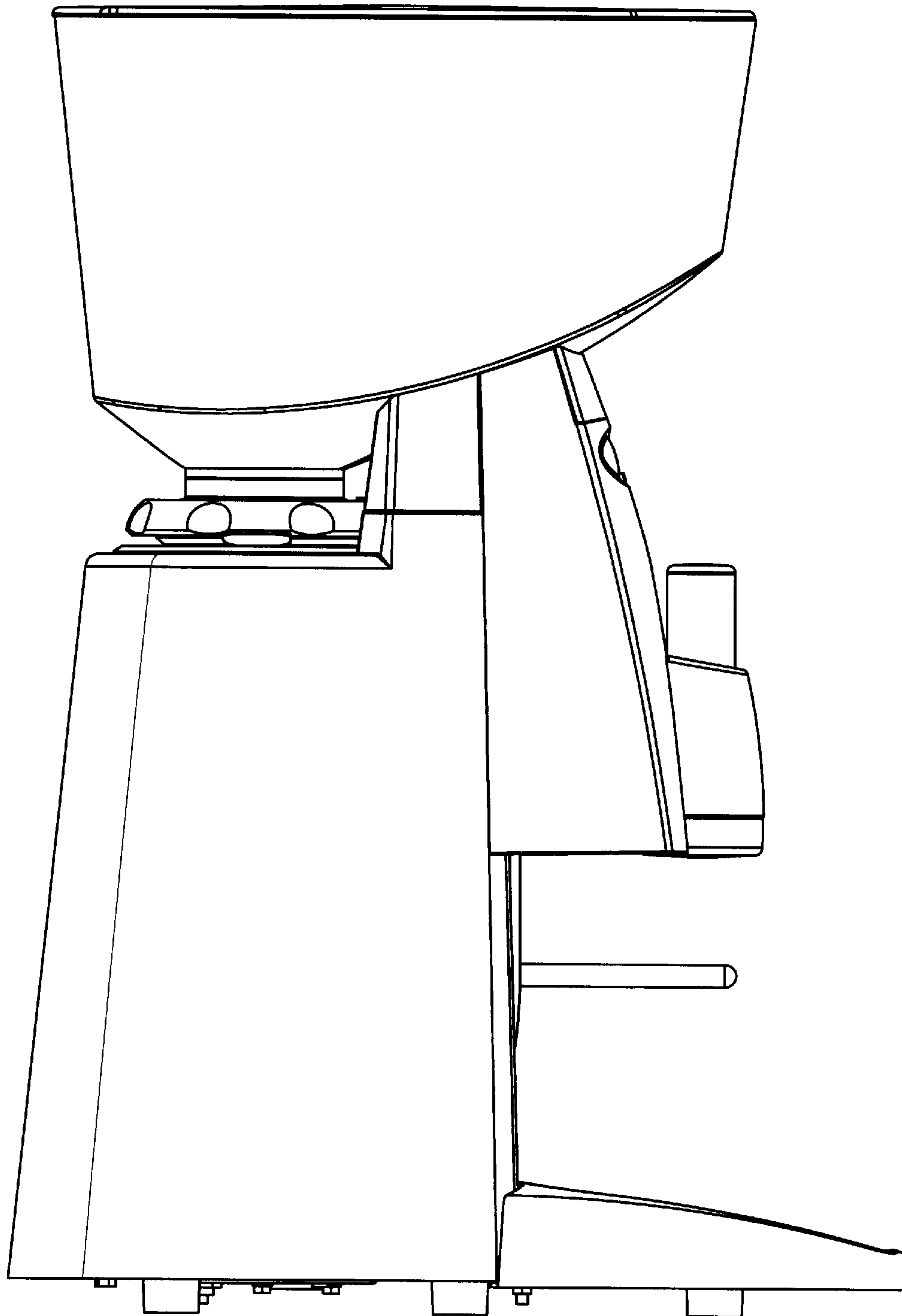


FIGURE 5

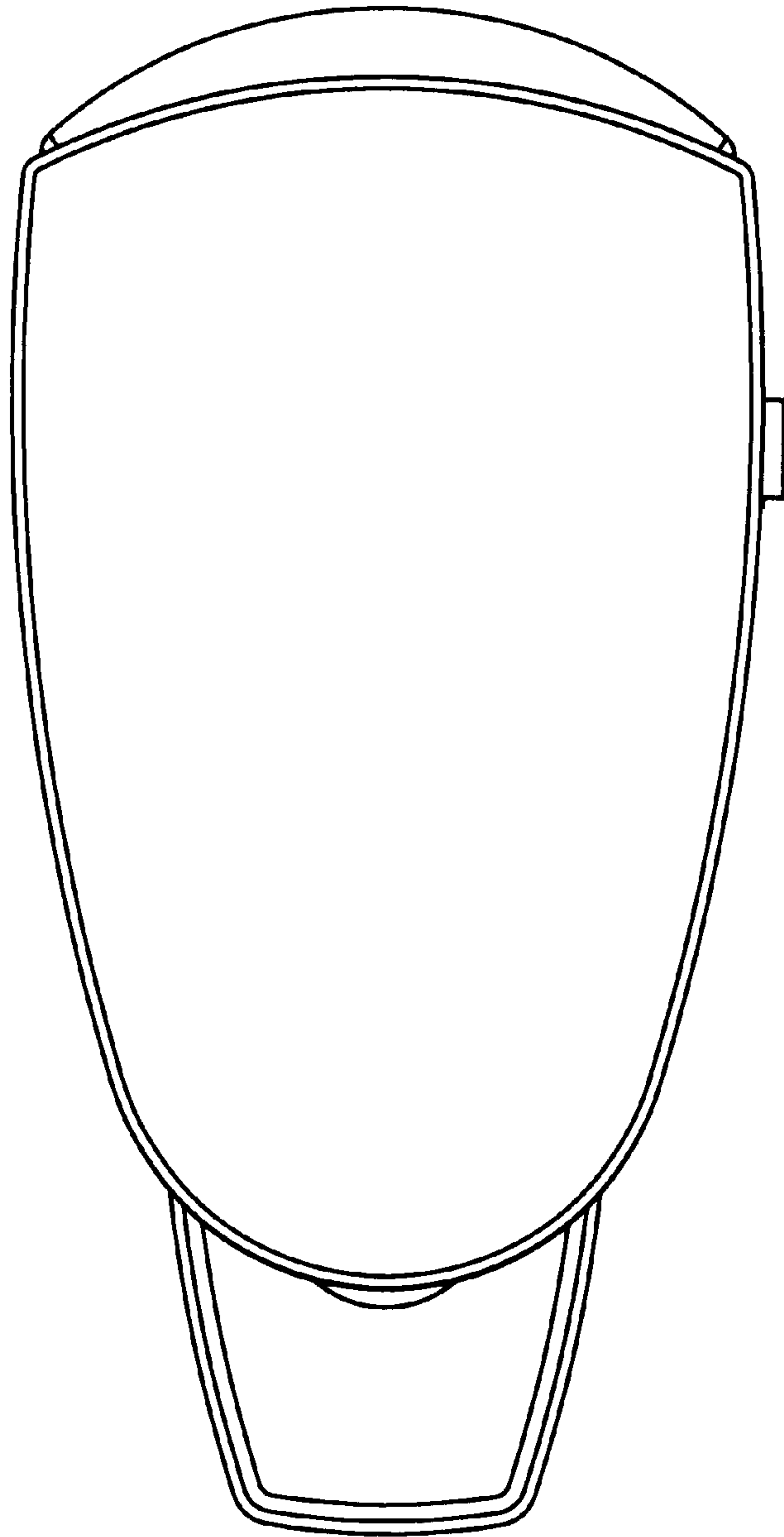


FIGURE 6

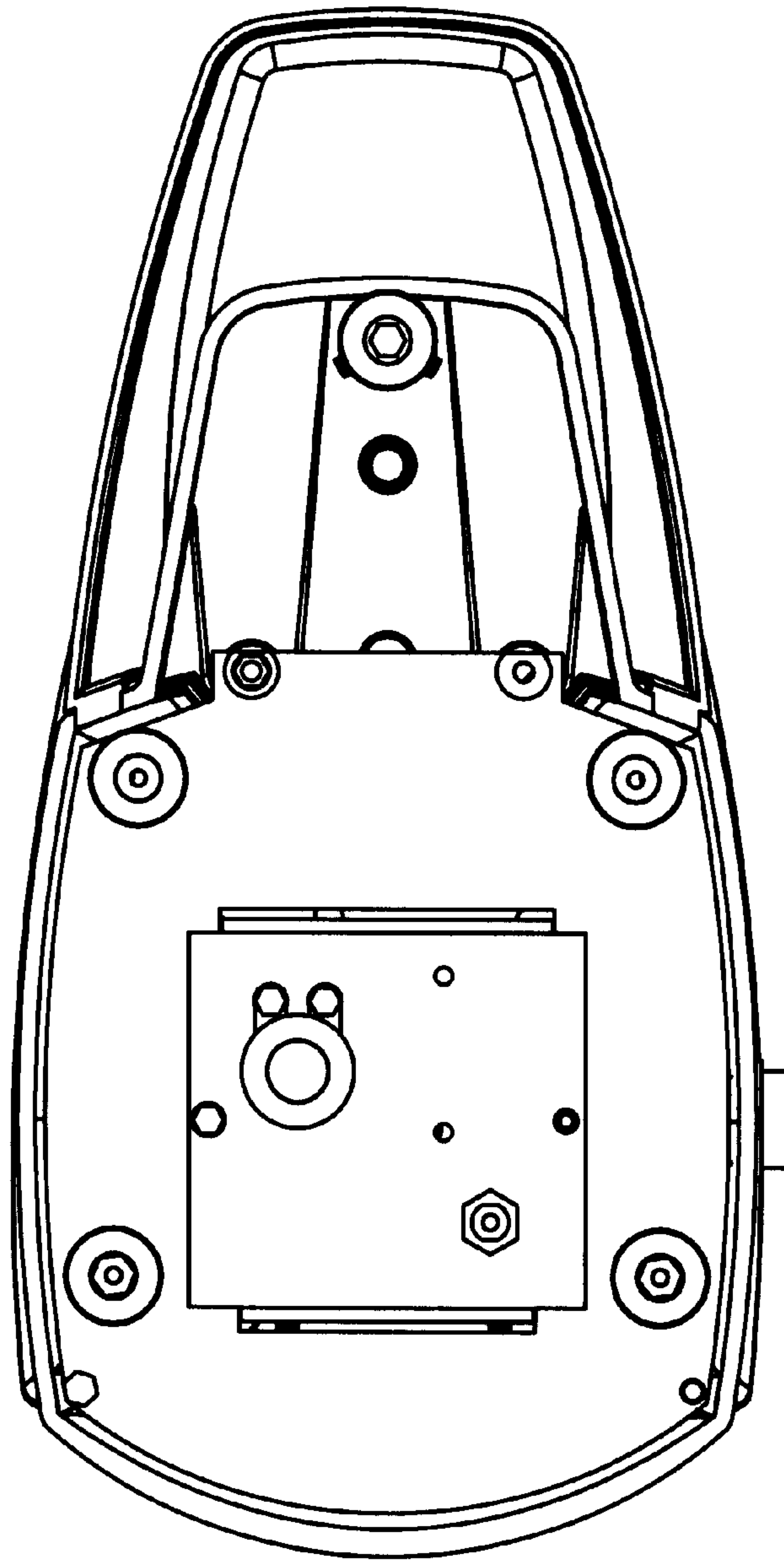


FIGURE 7