



US00D538098S

(12) **United States Design Patent**
Thygesen et al.

(10) **Patent No.:** **US D538,098 S**

(45) **Date of Patent:** **** Mar. 13, 2007**

(54) **KITCHEN**

(75) Inventors: **Rasmus Thygesen**, Arhus (DK); **Klaus Rehnquist**, Skanderborg (DK)

(73) Assignee: **Pressalit Group A/S** (DK)

(**) Term: **14 Years**

(21) Appl. No.: **29/237,805**

(22) Filed: **Sep. 7, 2005**

(30) **Foreign Application Priority Data**

Mar. 8, 2005 (EM) 000305586

(51) **LOC (8) Cl.** **07-02**

(52) **U.S. Cl.** **D7/339**

(58) **Field of Classification Search** D7/339-348,
D7/402; 99/468, 403-404, 407-410, 413-418,
99/483; 219/440-441, 400-401; 126/391,
126/21 R, 299 R, 331

See application file for complete search history.

(56) **References Cited**

U.S. PATENT DOCUMENTS

D222,515 S * 10/1971 Goetz D7/339

D287,795 S * 1/1987 Streepy D7/339
D318,977 S * 8/1991 Anetsberger D7/339
D351,966 S * 11/1994 King D7/339
D480,260 S * 10/2003 Domi et al. D7/339
D494,805 S * 8/2004 Chua et al. D7/339

* cited by examiner

Primary Examiner—Catherine R. Oliver

(74) *Attorney, Agent, or Firm*—St. Onge Steward Johnston & Reens, LLC

(57) **CLAIM**

The ornamental design for kitchen, as shown and described.

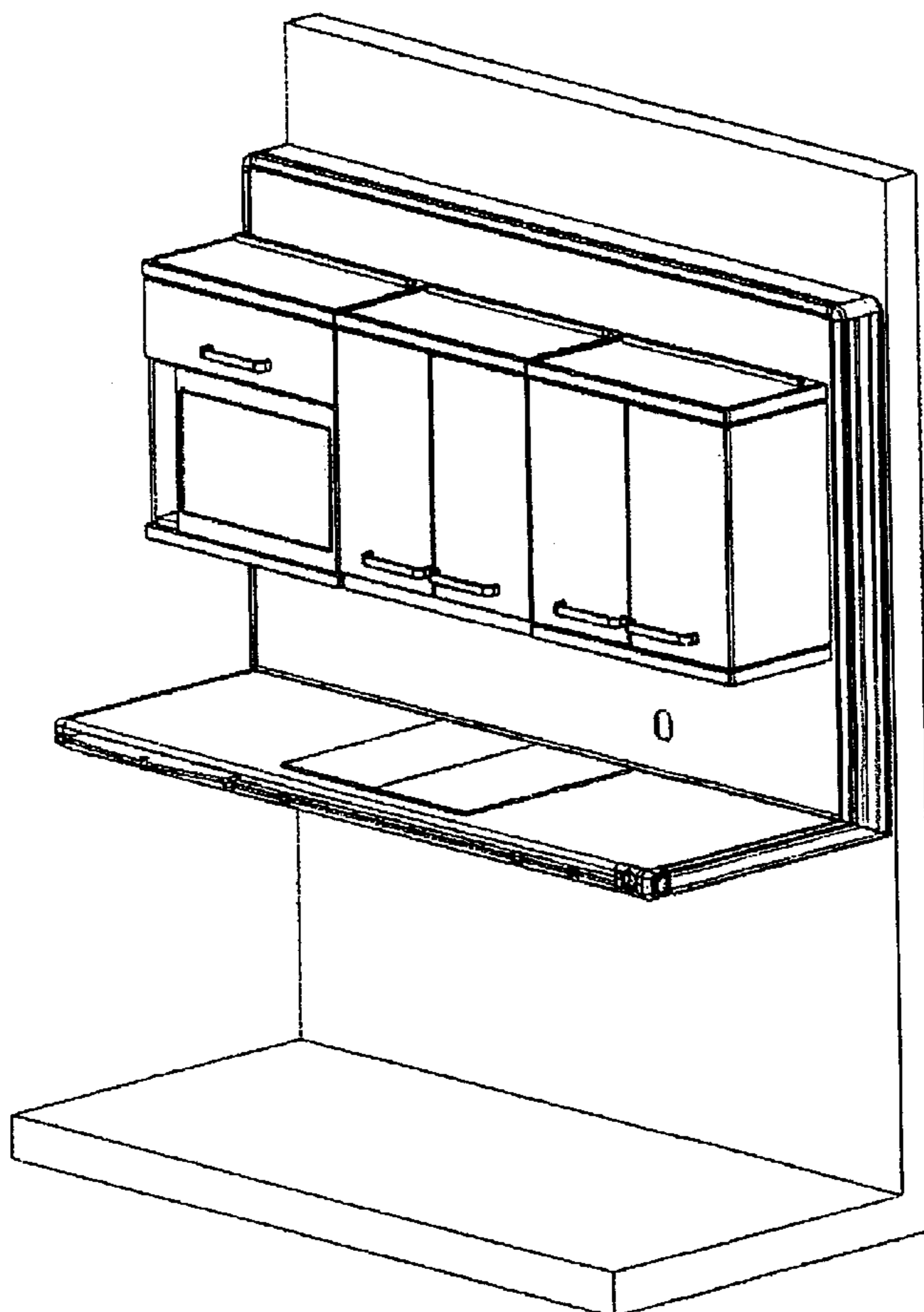
DESCRIPTION

FIG. 1 is a top, front and left side perspective view of a kitchen in accordance with the new design;

FIG. 2 is a front elevation view thereof; and,

FIG. 3 is a top plan view thereof.

1 Claim, 3 Drawing Sheets



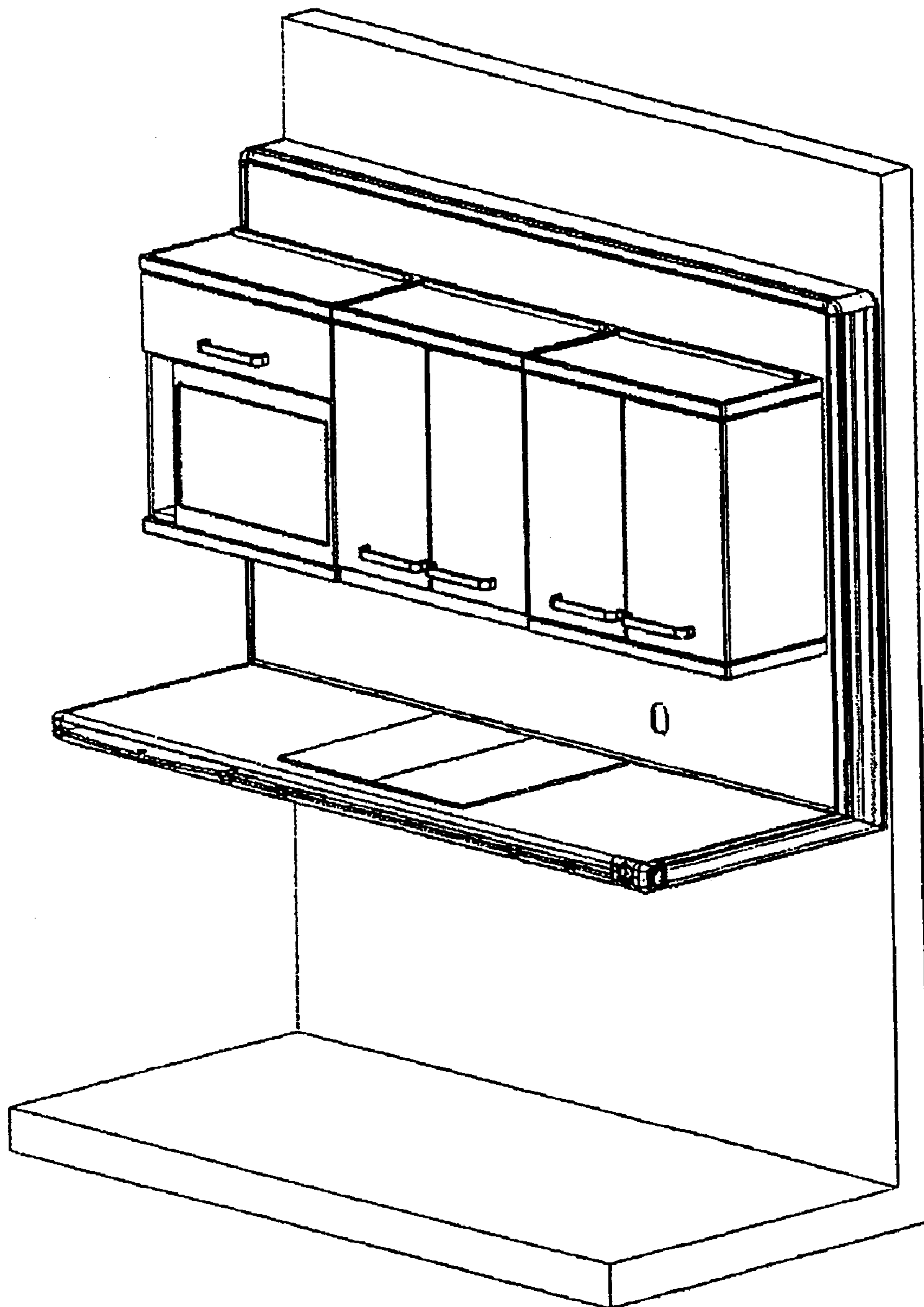


FIG. 1

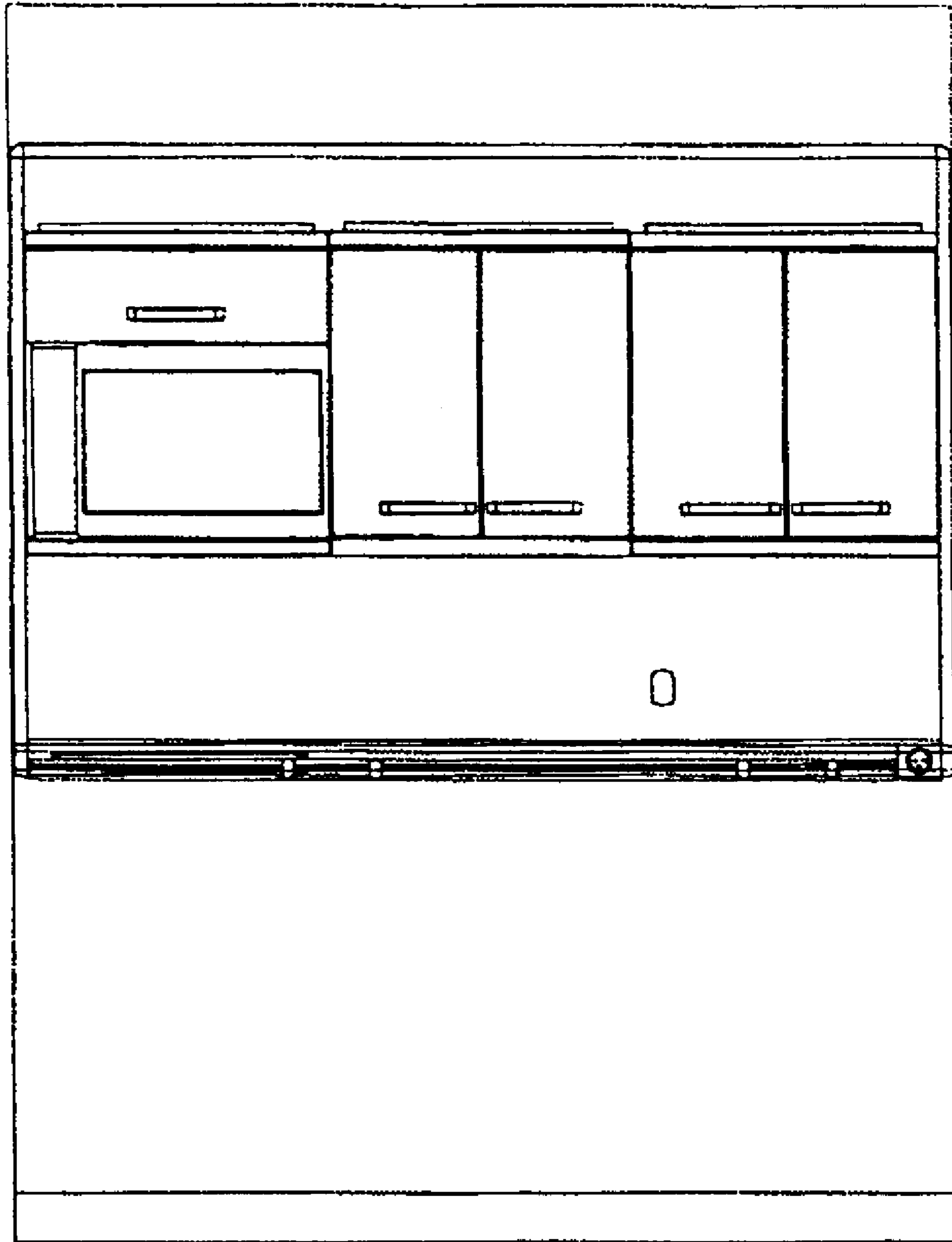


FIG. 2

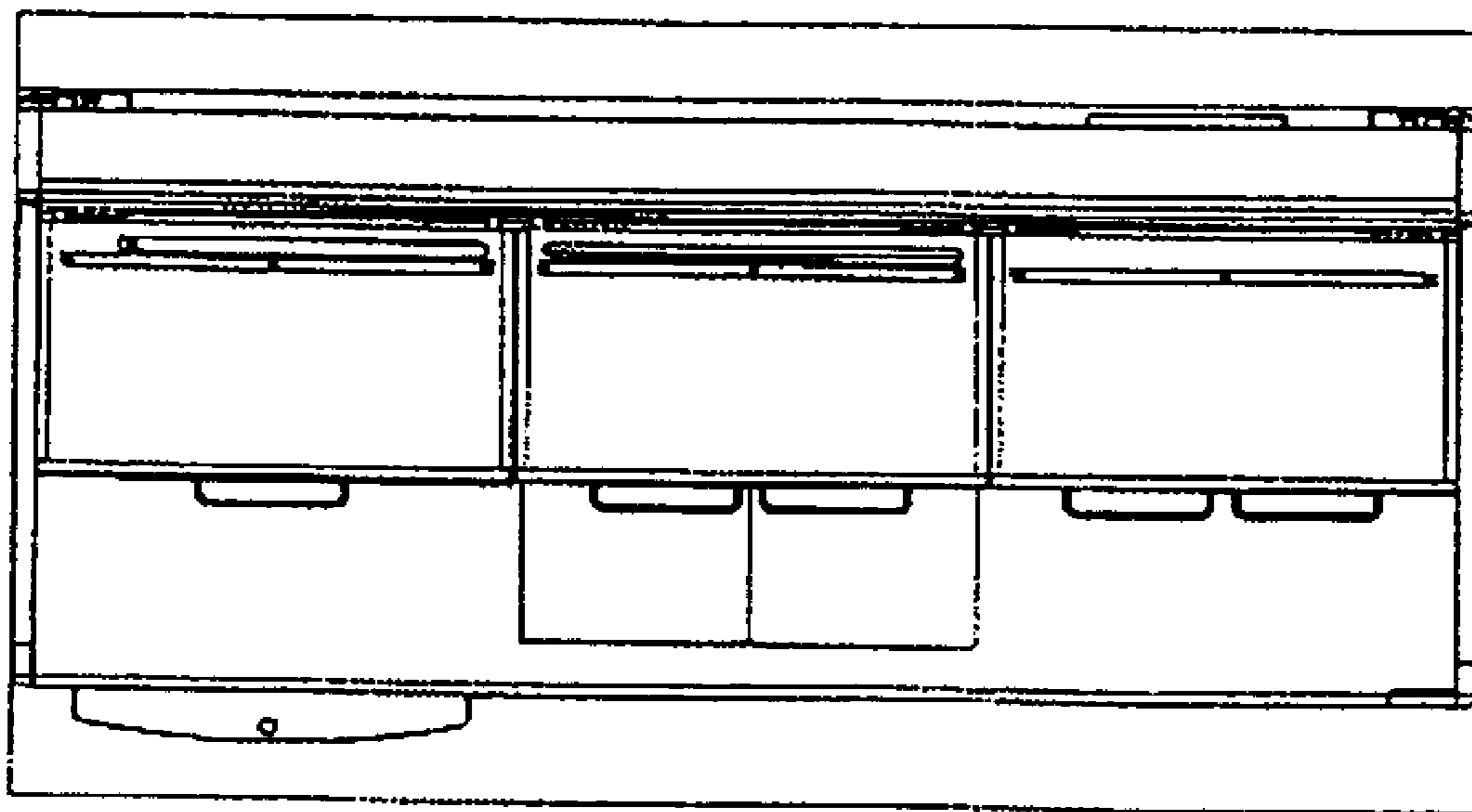


FIG. 3