



US00D538097S

(12) **United States Design Patent**  
**Godinger**

(10) **Patent No.:** **US D538,097 S**

(45) **Date of Patent:** **\*\* Mar. 13, 2007**

(54) **BEVERAGE DISPENSER**

(75) Inventor: **Arnold Godinger**, Brooklyn, NY (US)

(73) Assignee: **Godinger Silver Art Co., Ltd.**,  
Ridgewood, NY (US)

(\*\*) Term: **14 Years**

(21) Appl. No.: **29/222,372**

(22) Filed: **Jan. 28, 2005**

(51) **LOC (8) Cl.** ..... **07-01**

(52) **U.S. Cl.** ..... **D7/301; D7/306**

(58) **Field of Classification Search** ..... D7/301,  
D7/306, 312, 313, 604, 613, 397, 398; 137/299,  
137/382, 385; D21/483; D23/234; D26/40  
See application file for complete search history.

(56) **References Cited**

**U.S. PATENT DOCUMENTS**

D1,753 S	*	4/1863	Muller	.....	D7/301
711,020 A	*	10/1902	Tatum	.....	215/6
D237,556 S	*	11/1975	Schlaifer	.....	D7/301
3,929,152 A	*	12/1975	Graham	.....	137/296
D262,555 S	*	1/1982	Skubic	.....	D21/483
D276,687 S	*	12/1984	Marin	.....	D7/301
D277,537 S	*	2/1985	Merl et al.	.....	D7/301

D311,660 S	*	10/1990	Start	.....	D7/397
D311,841 S	*	11/1990	Start	.....	D7/397
D314,418 S	*	2/1991	Friesen	.....	D23/209
D328,620 S	*	8/1992	Maple	.....	D21/483
5,232,129 A	*	8/1993	Guerra	.....	222/183
D339,717 S	*	9/1993	Guerra	.....	D7/392
6,112,761 A	*	9/2000	Scotto	.....	137/296
D489,930 S	*	5/2004	Tse	.....	D7/306
6,901,950 B1	*	6/2005	Burt et al.	.....	137/382

\* cited by examiner

*Primary Examiner*—M. N. Pandozzi

(74) *Attorney, Agent, or Firm*—Cohen Pontani Lieberman  
& Pavane LLP

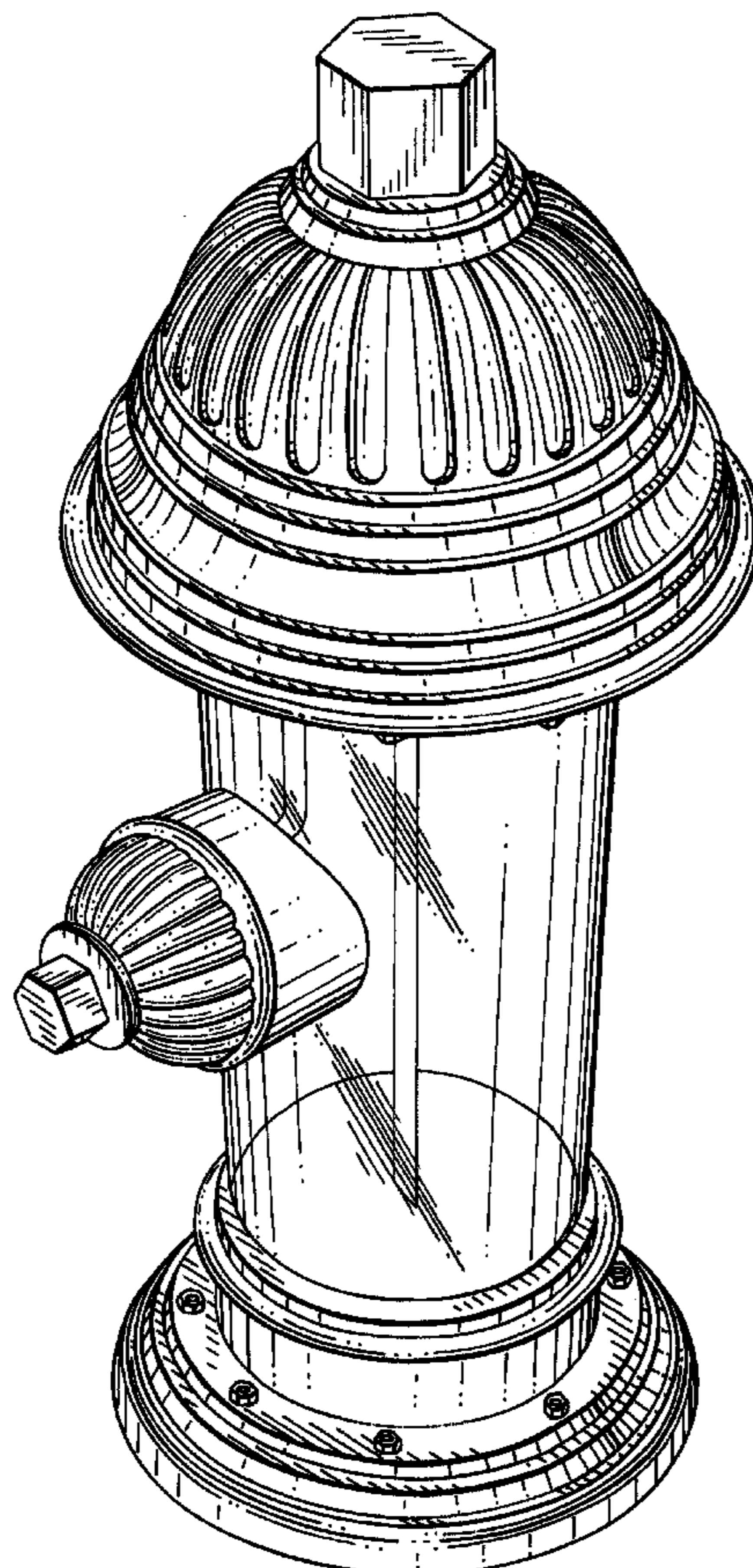
(57) **CLAIM**

The ornamental design for a beverage dispenser, as shown  
and described.

**DESCRIPTION**

FIG. 1 is a perspective plan view of a beverage dispenser  
showing my new design;  
FIG. 2 is a front view of the beverage dispenser of FIG. 1;  
FIG. 3 is a top view of the beverage dispenser of FIG. 1;  
FIG. 4 is a side view of the beverage dispenser;  
FIG. 5 is a rear plan view of the beverage dispenser; and,  
FIG. 6 is a bottom plan view of the beverage dispenser.

**1 Claim, 5 Drawing Sheets**



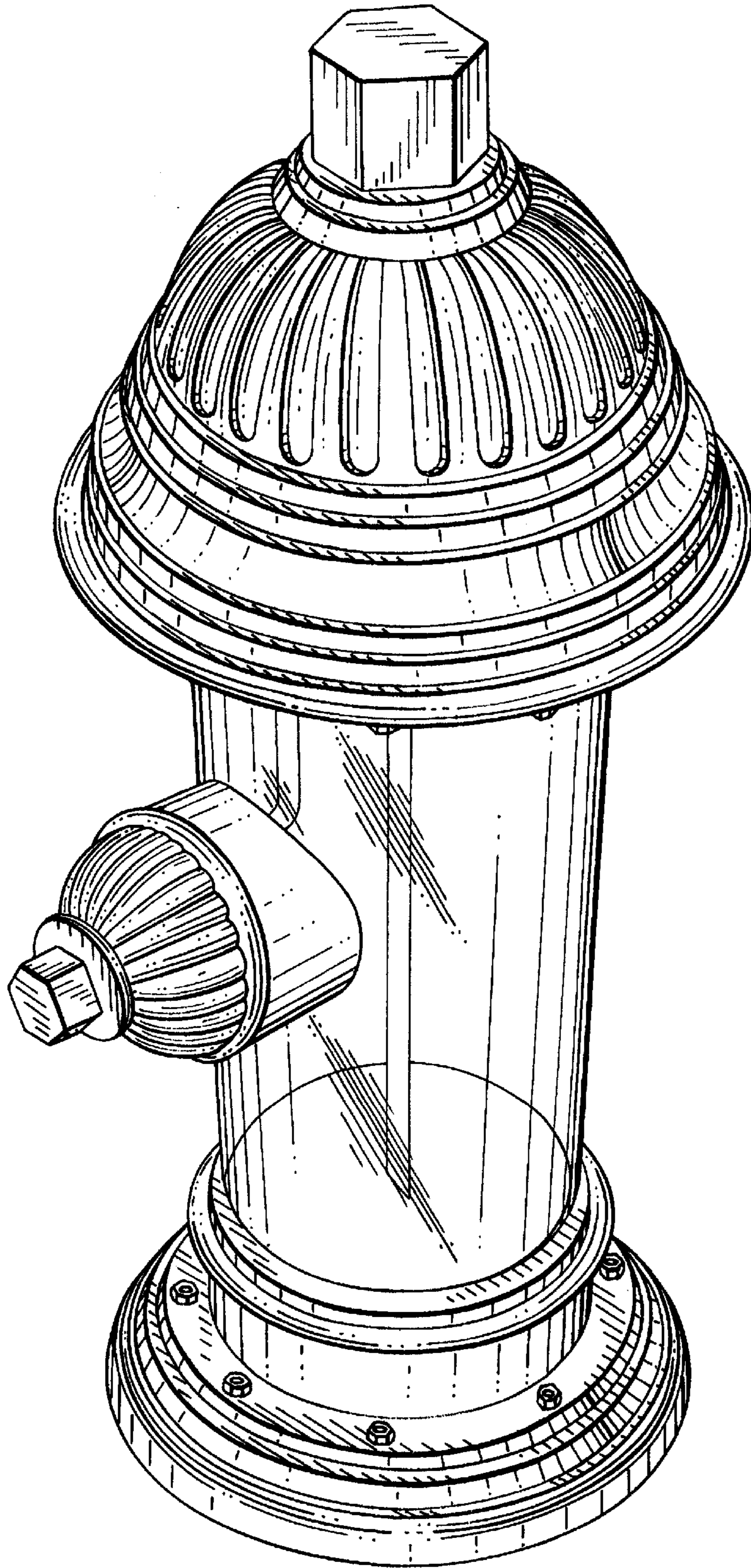


FIG. 1

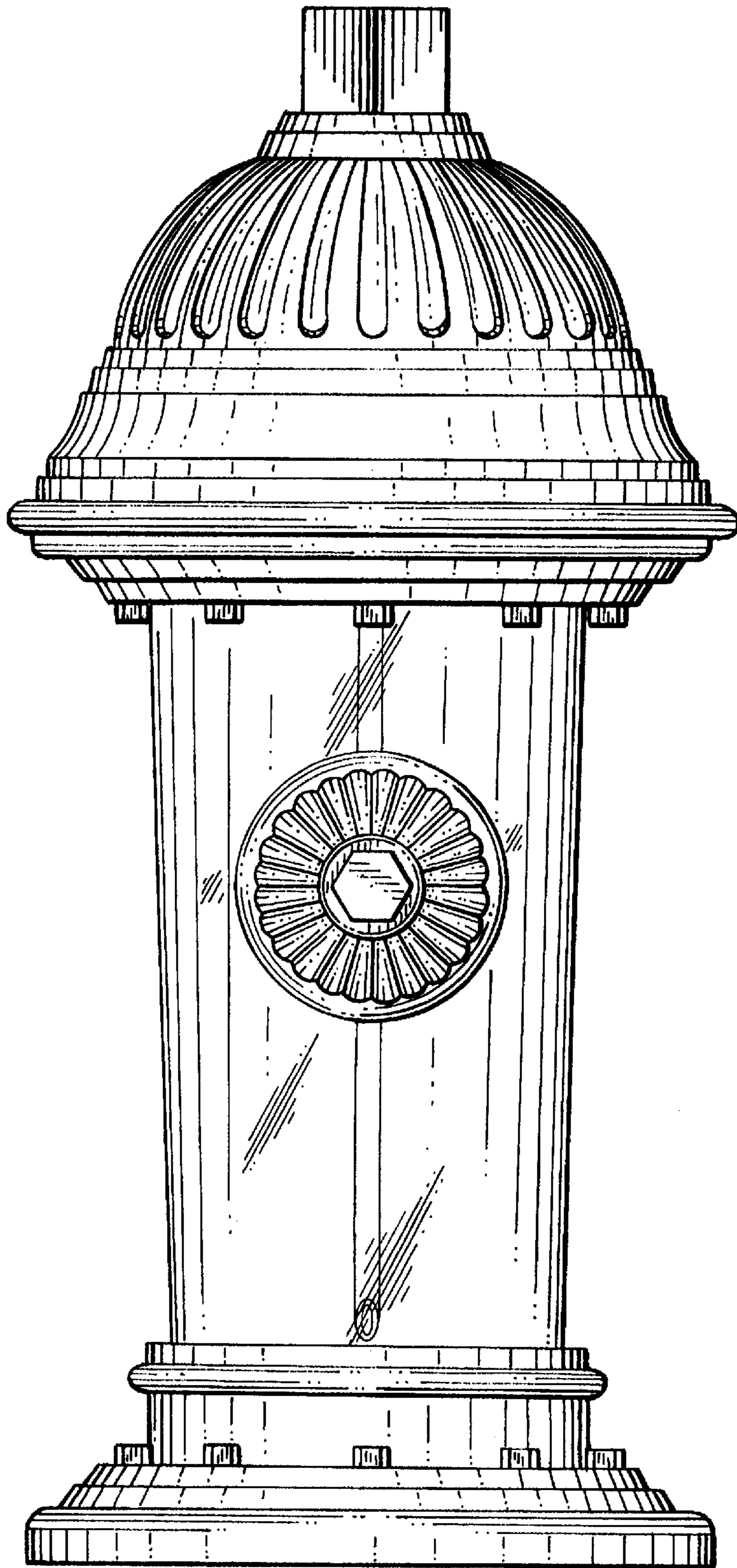


FIG. 2

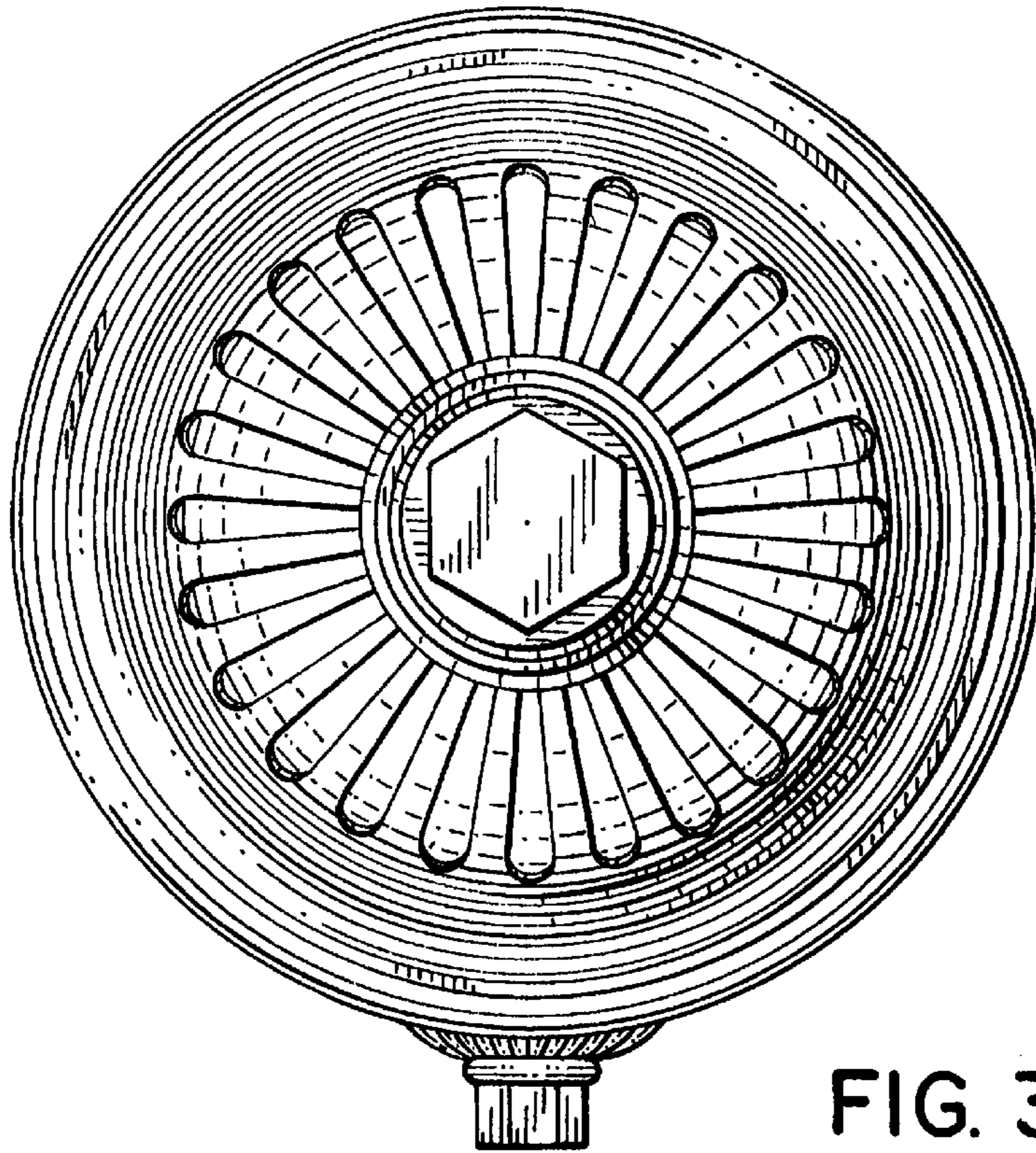


FIG. 3

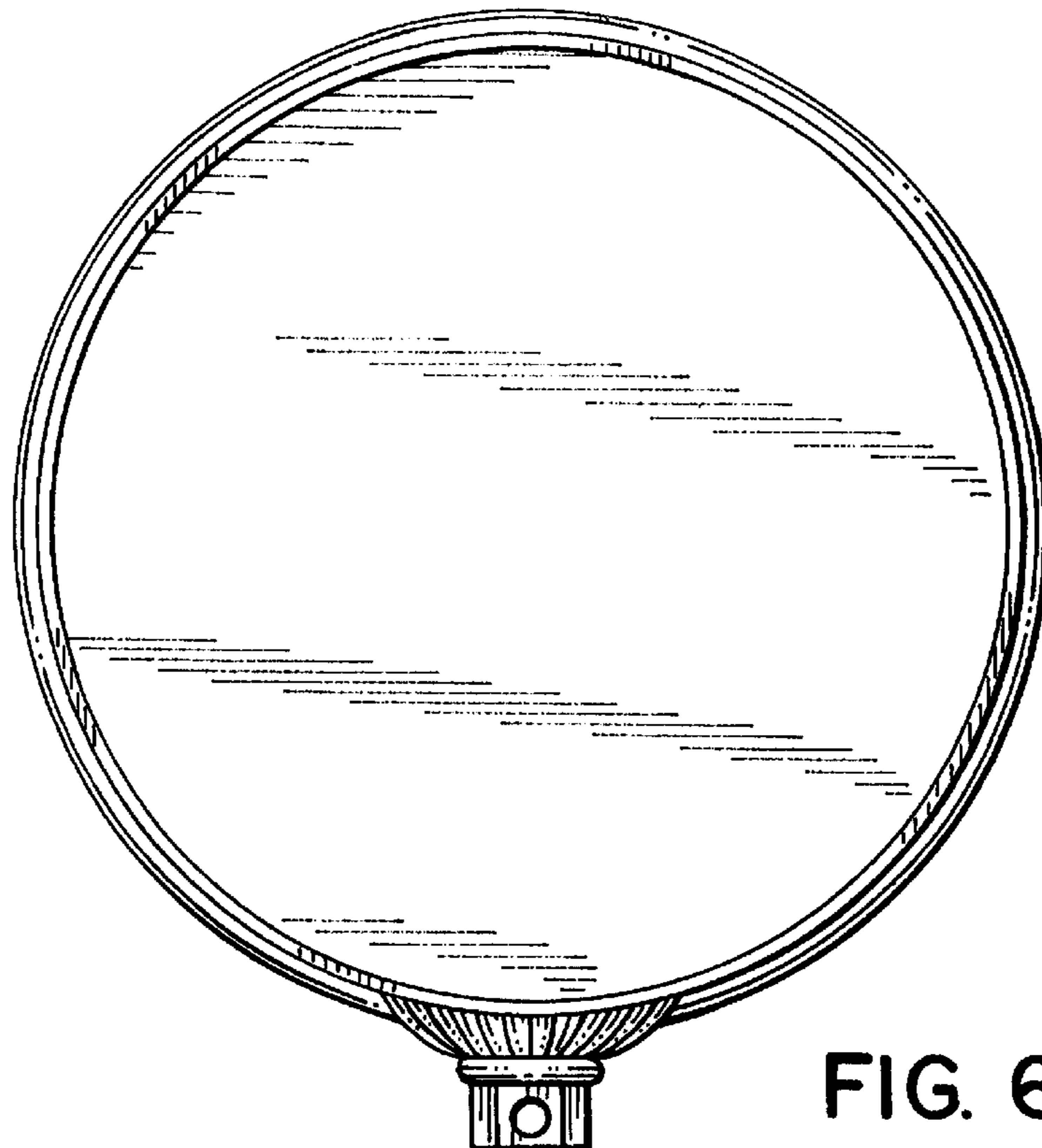


FIG. 6

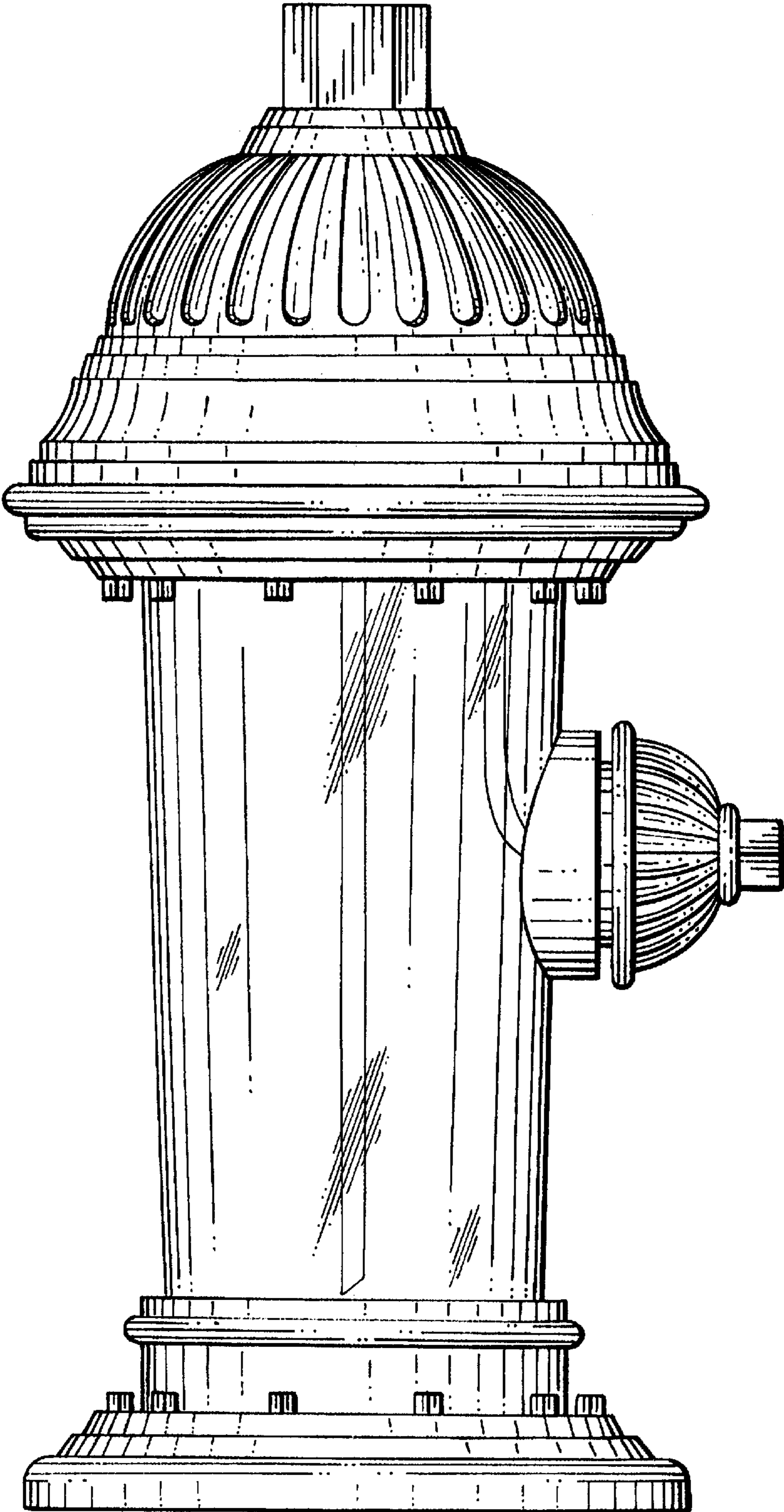


FIG. 4

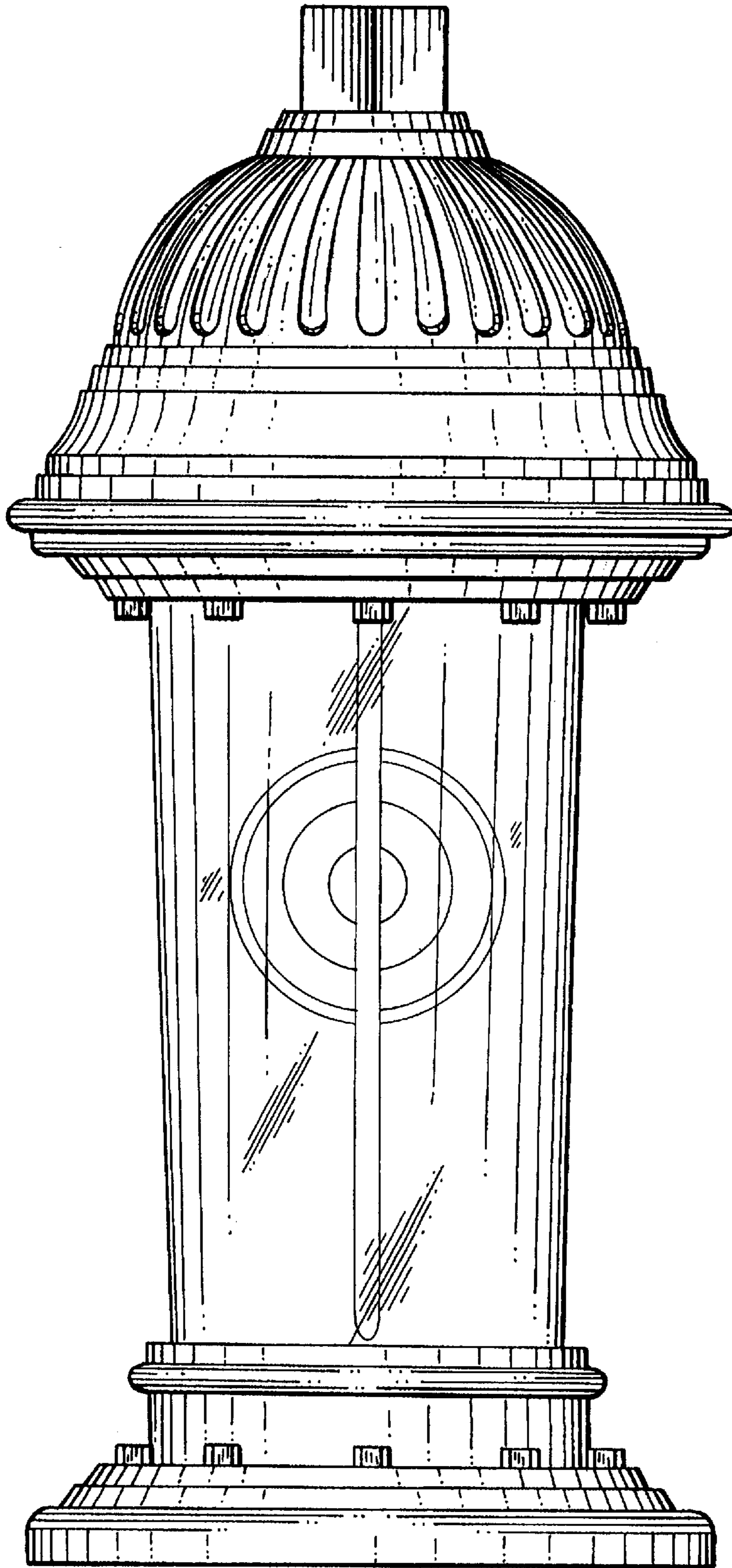


FIG. 5