



US00D538094S

(12) **United States Design Patent**
Quicoy

(10) **Patent No.:** **US D538,094 S**

(45) **Date of Patent:** **** Mar. 13, 2007**

(54) **ADJUSTABLE SEAT CUSHION**

(75) Inventor: **Ryan Hans Quicoy**, Shenzhen (CN)

(73) Assignee: **Foremost Groups, Inc.**, East Hanover, NJ (US)

(**) Term: **14 Years**

(21) Appl. No.: **29/239,166**

(22) Filed: **Sep. 27, 2005**

(51) **LOC (8) Cl.** **06-09**

(52) **U.S. Cl.** **D6/601**

(58) **Field of Classification Search** D6/368,
D6/373, 500, 502, 595-597, 601, 602, 604,
D6/613, 615; 5/636, 640, 644, 652-654,
5/655.3, 655.5, 710, 722; D21/803, 804;
297/4, 183.1, 183.5, 256.16, 284.1, 352,
297/353, 378.1, 452.16, 452.26, 452.43,
297/452.47, 452.48, 452.56, 452.57; 264/176.1;
441/35, 40, 88, 127; 607/114

See application file for complete search history.

(56) **References Cited**

U.S. PATENT DOCUMENTS

D258,187 S	*	2/1981	Robbins	D6/596
D295,248 S	*	4/1988	Sommerfield et al.	D6/601
D312,741 S	*	12/1990	Treadwell	D6/601
D407,937 S	*	4/1999	Klimenko	D6/596
D413,037 S	*	8/1999	Bellington	D6/596
6,007,572 A	*	12/1999	Baldwin	607/114
D449,947 S	*	11/2001	Schoefer	D6/500
6,755,477 B2	*	6/2004	Chow	297/452.56
D508,809 S	*	8/2005	Palardis	D6/597
D509,396 S	*	9/2005	Wiltberger	D6/601
D509,693 S	*	9/2005	Wiltberger	D6/601

2005/0088022 A1 * 4/2005 Kimura et al. 297/353

* cited by examiner

Primary Examiner—Robert M. Spear

Assistant Examiner—Mary Ann Calabrese

(74) *Attorney, Agent, or Firm*—Drinker Biddle & Reath LLP

(57) **CLAIM**

The ornamental design for an adjustable seat cushion, as shown and described.

DESCRIPTION

FIG. 1 is a front view of an adjustable seat cushion showing my new design.

FIG. 2 is a rear view of the adjustable seat cushion of FIG. 1.

FIG. 3 is a top view of the adjustable seat cushion of FIG. 1.

FIG. 4 is a bottom view of the adjustable seat cushion of FIG. 1.

FIG. 5 is a right side view of the adjustable seat cushion of FIG. 1 with the back of the seat in a first position, the left side view being a mirror image.

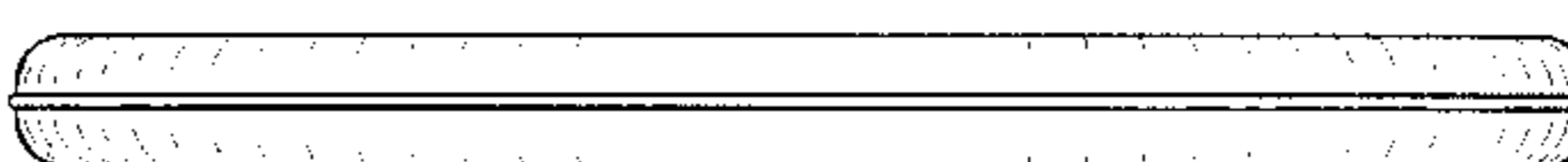
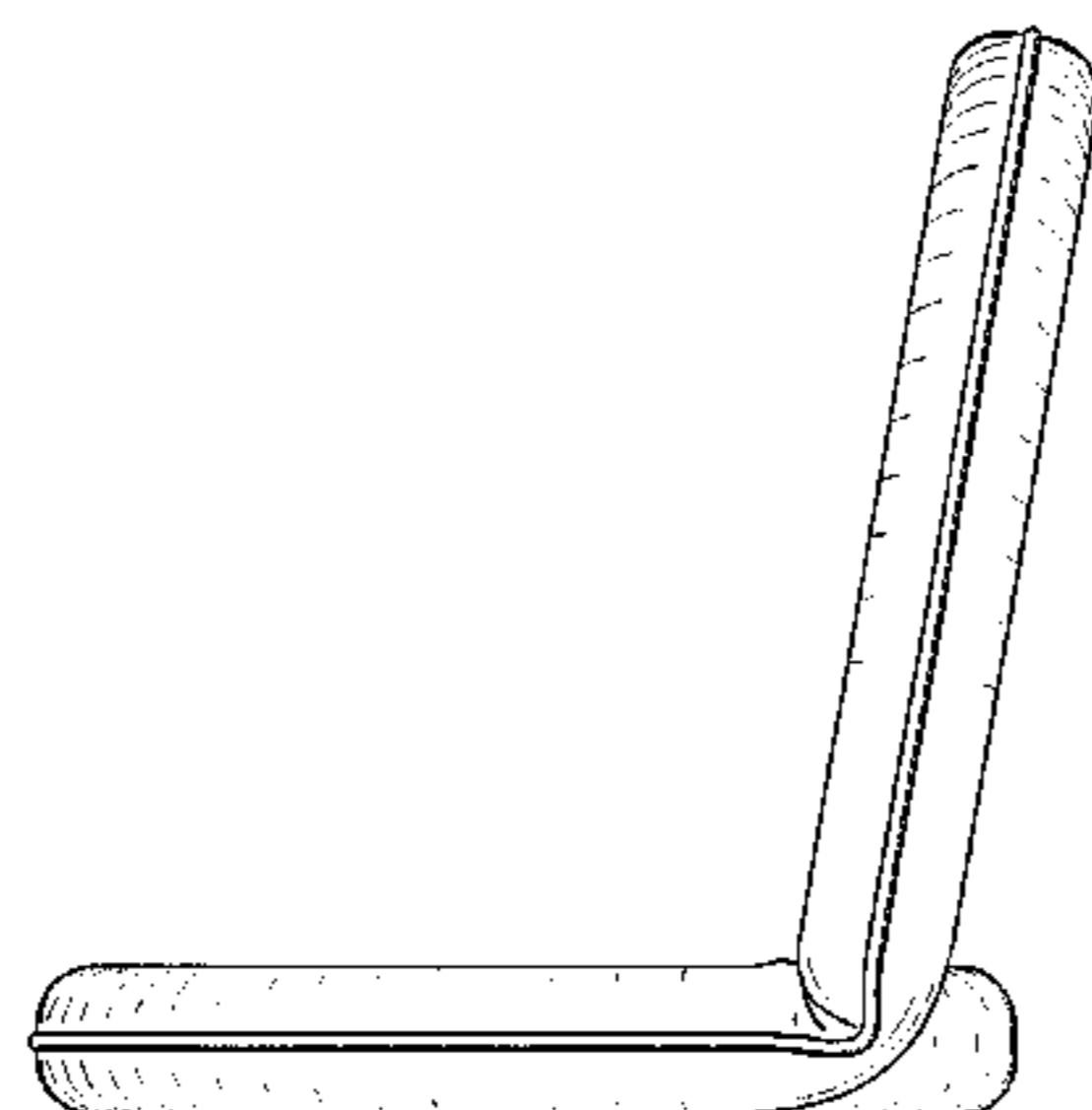
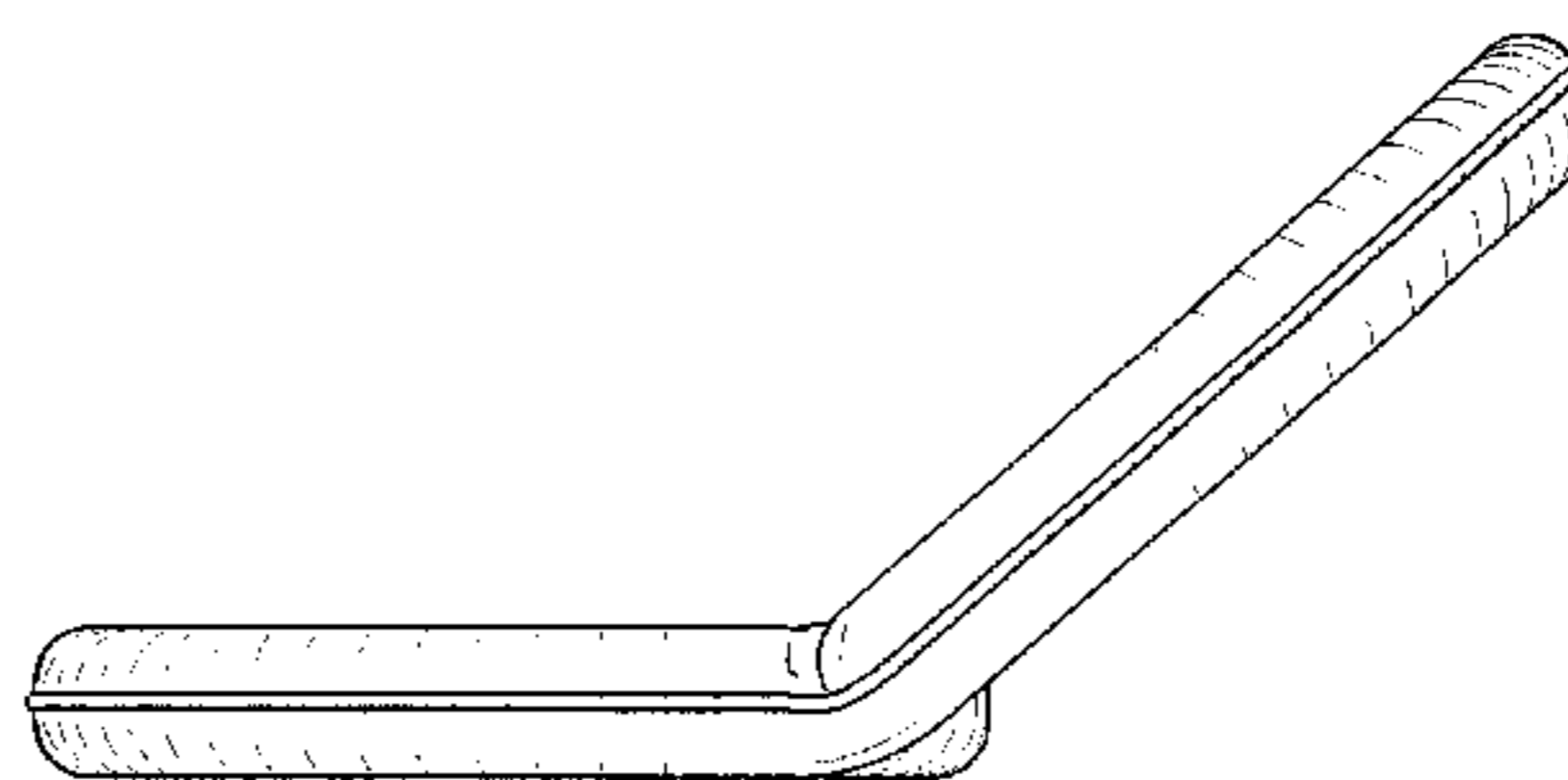
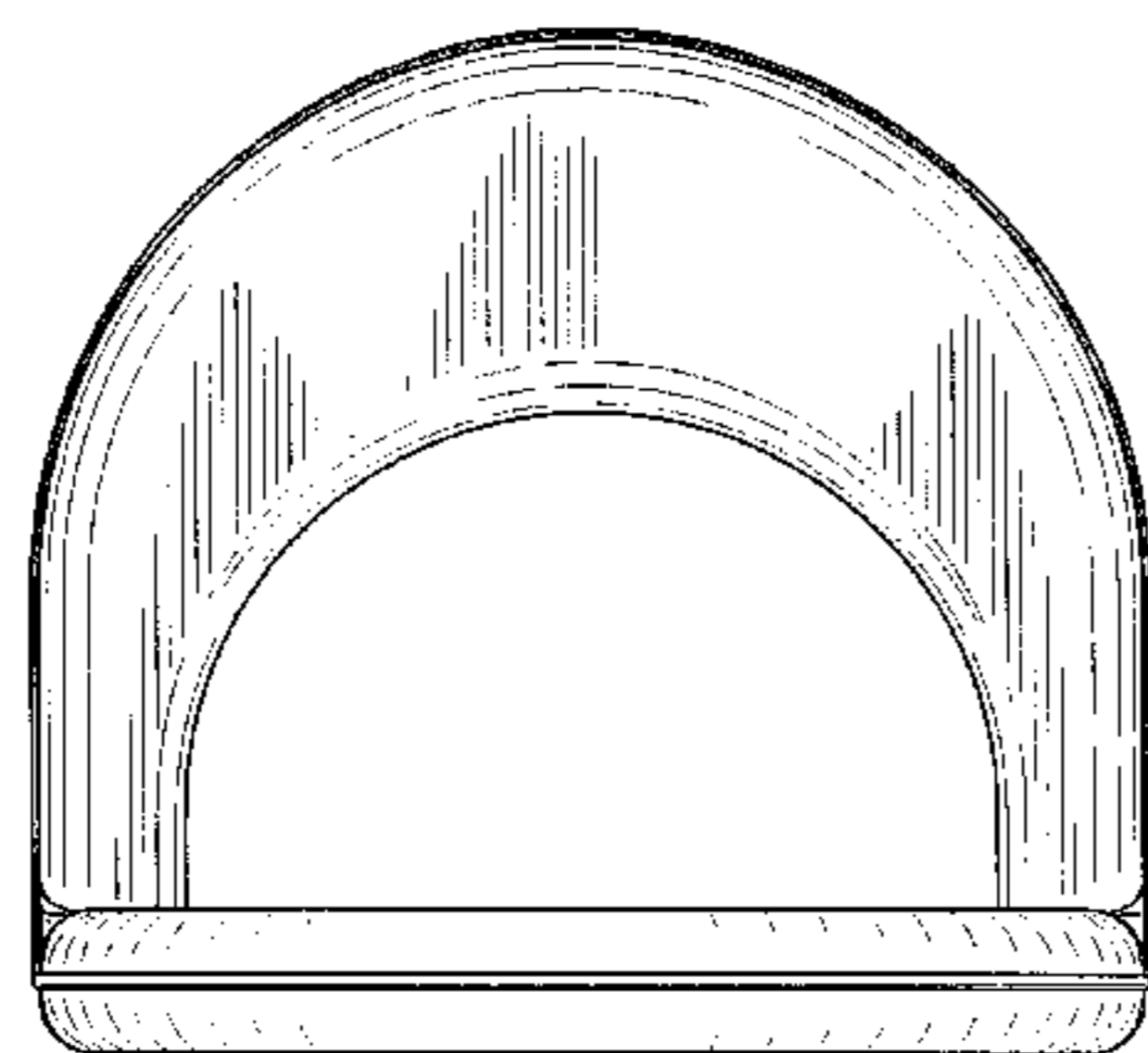
FIG. 6 is a right side view of the adjustable seat cushion of FIG. 1 with the back of the seat in a second position, the left side view being a mirror image.

FIG. 7 is a right side view of the adjustable seat cushion of FIG. 1 with the back of the seat in a third position, the left side view being a mirror image.

FIG. 8 is a right side view of the adjustable seat cushion of FIG. 1 with the back of the seat in a fourth position, the left side view being a mirror image; and,

FIG. 9 is a right side view of the adjustable seat cushion of FIG. 1 with the back of the seat in a fifth position, the left side view being a mirror image.

1 Claim, 4 Drawing Sheets



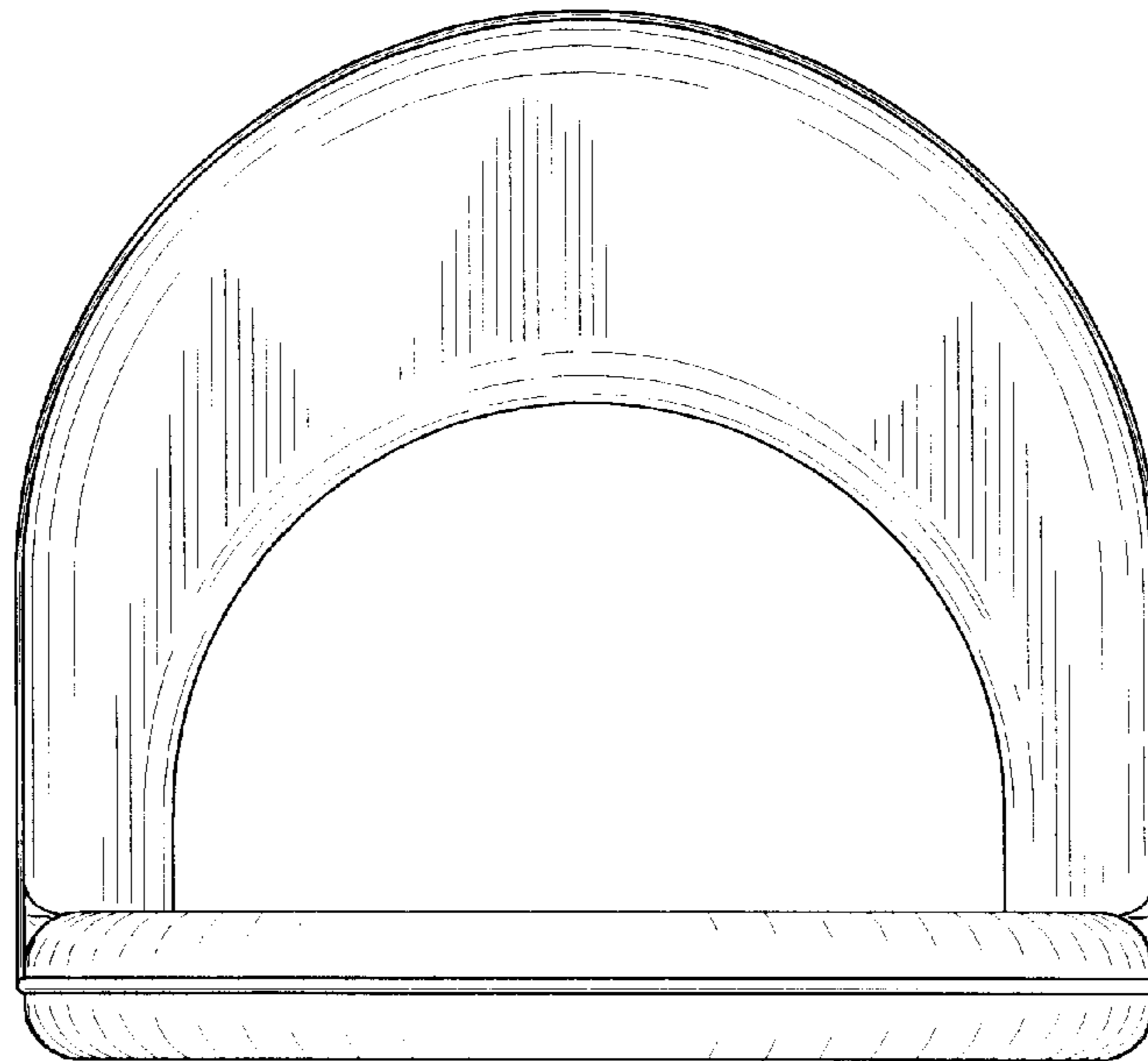


FIG. 1

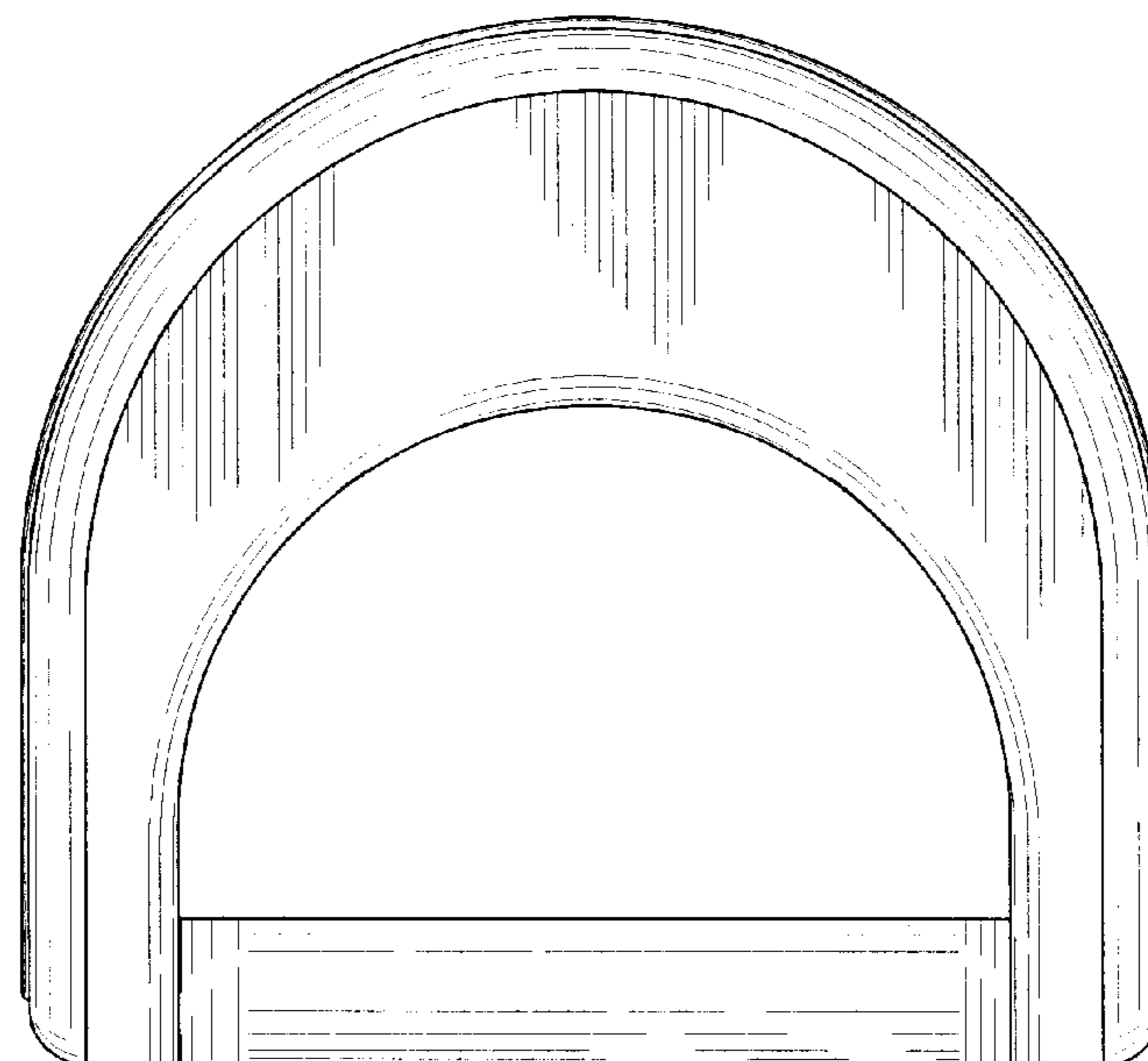


FIG. 2

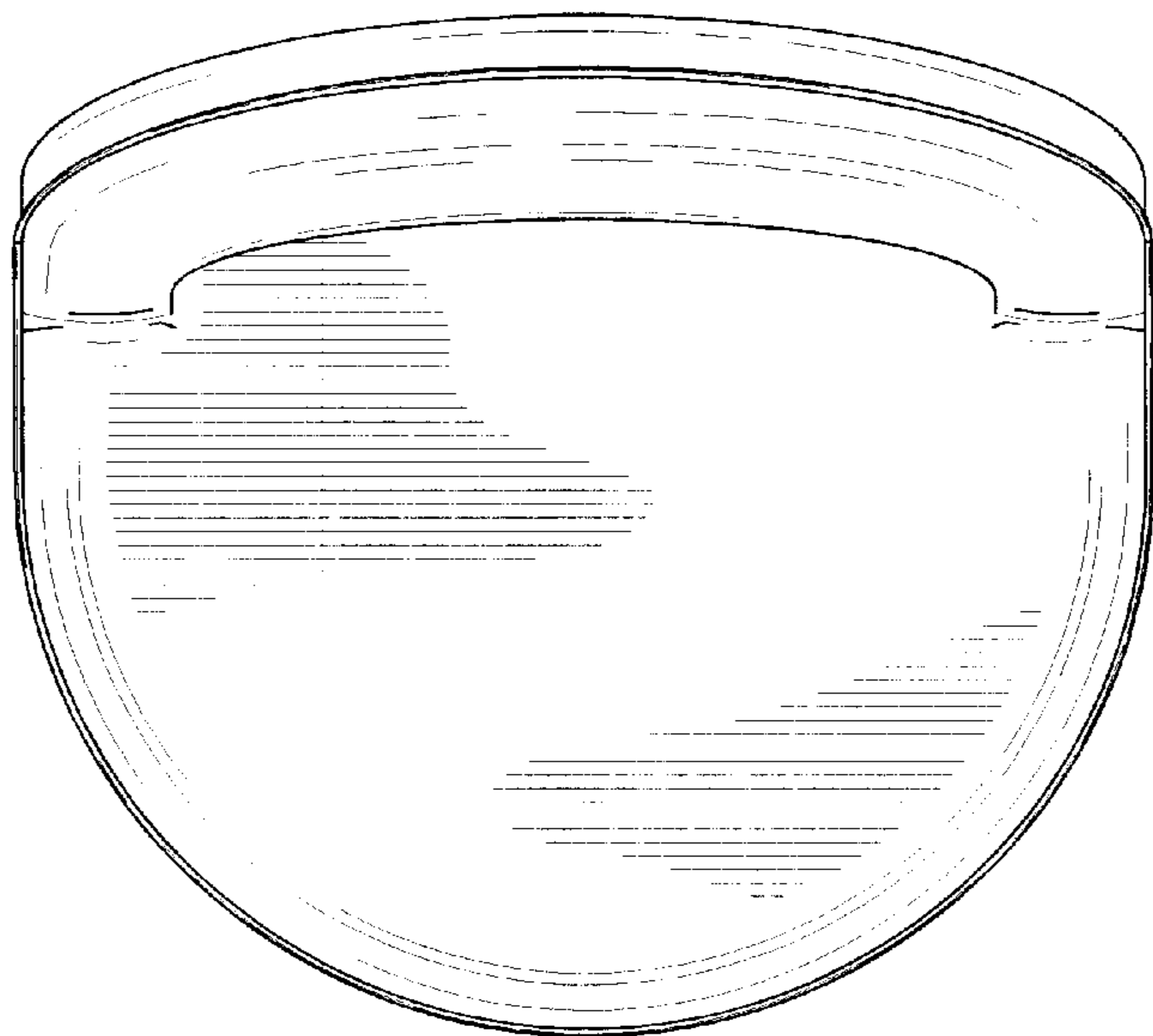


FIG. 3

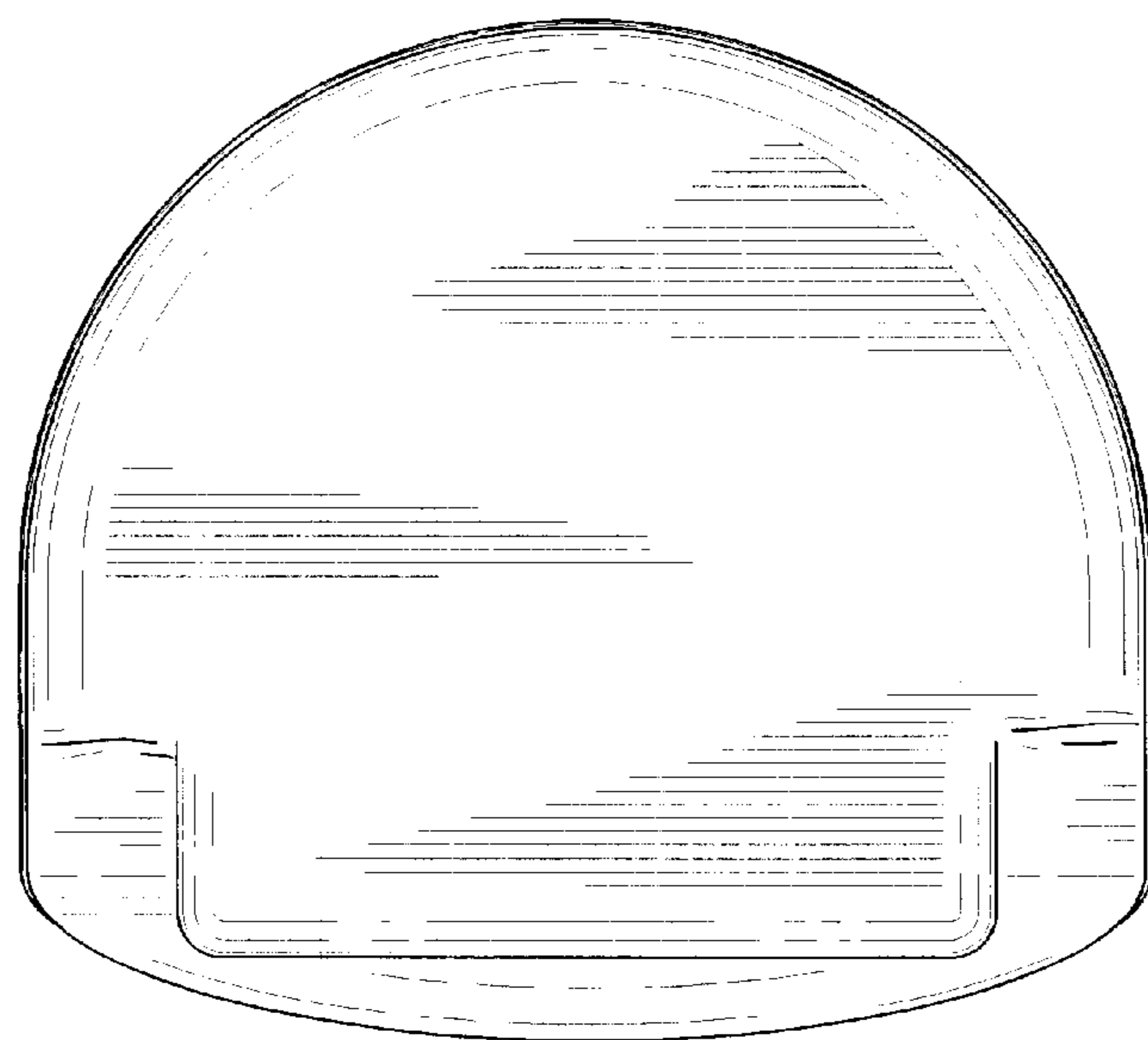


FIG. 4

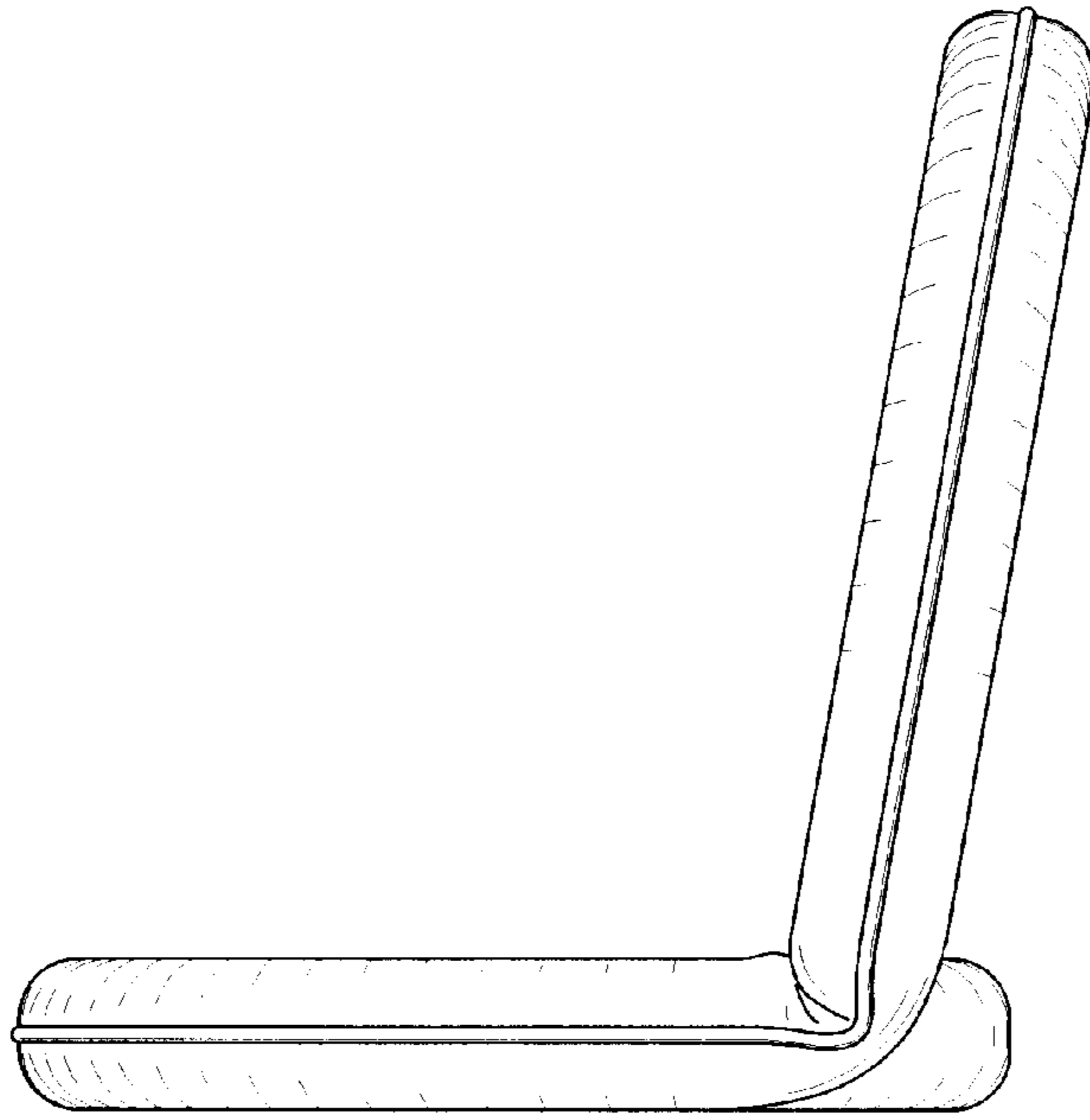


FIG. 5

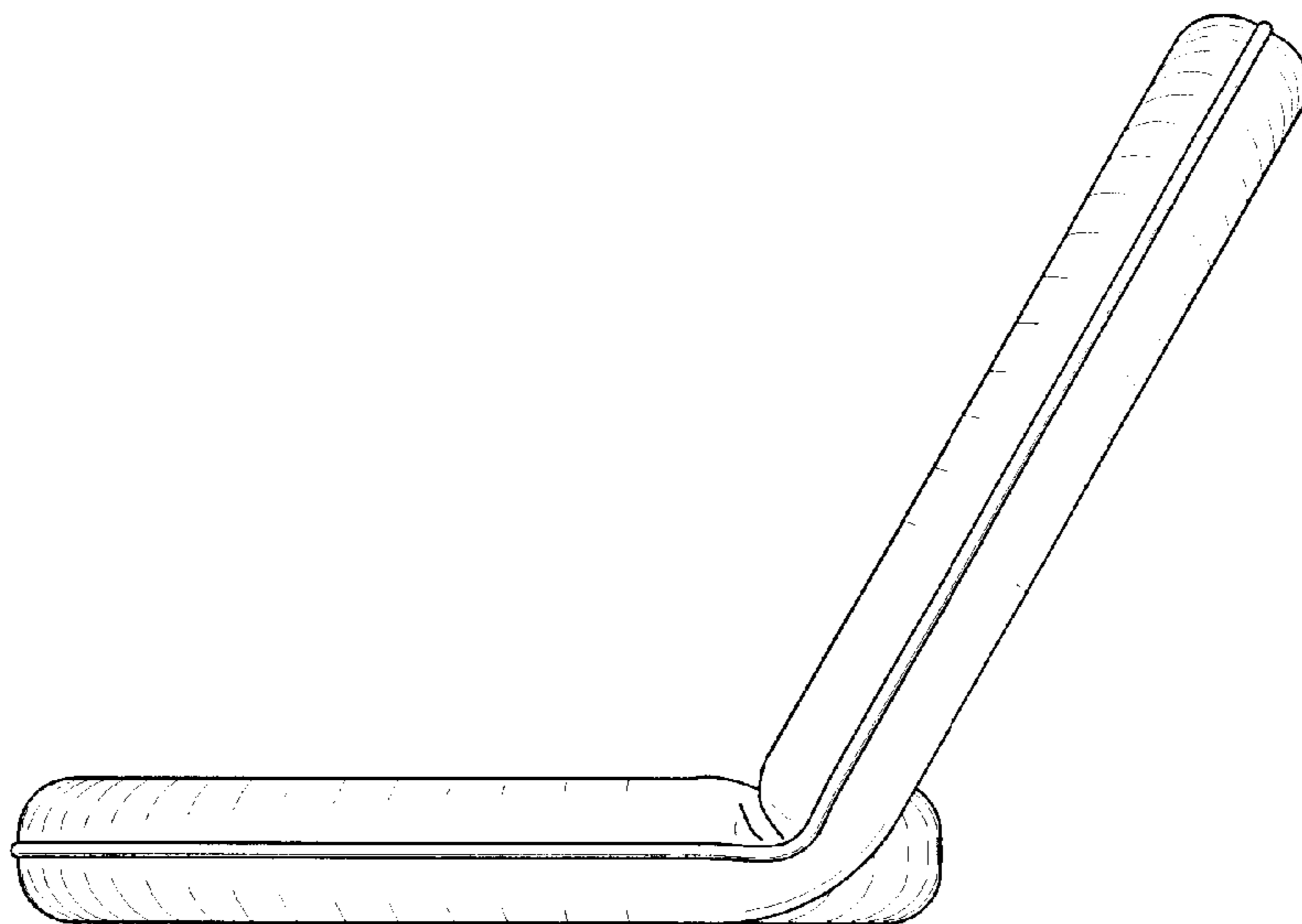


FIG. 6

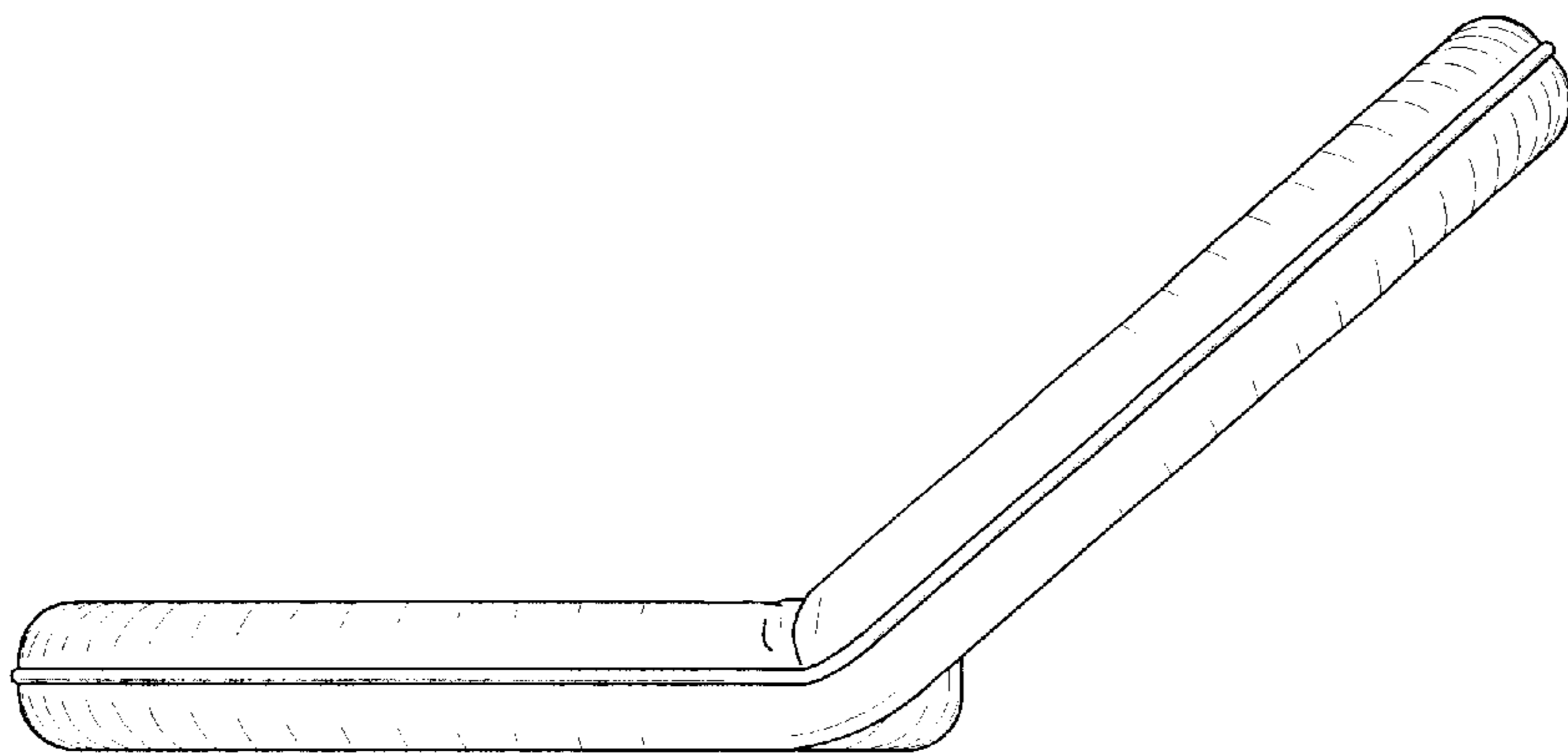


FIG. 7

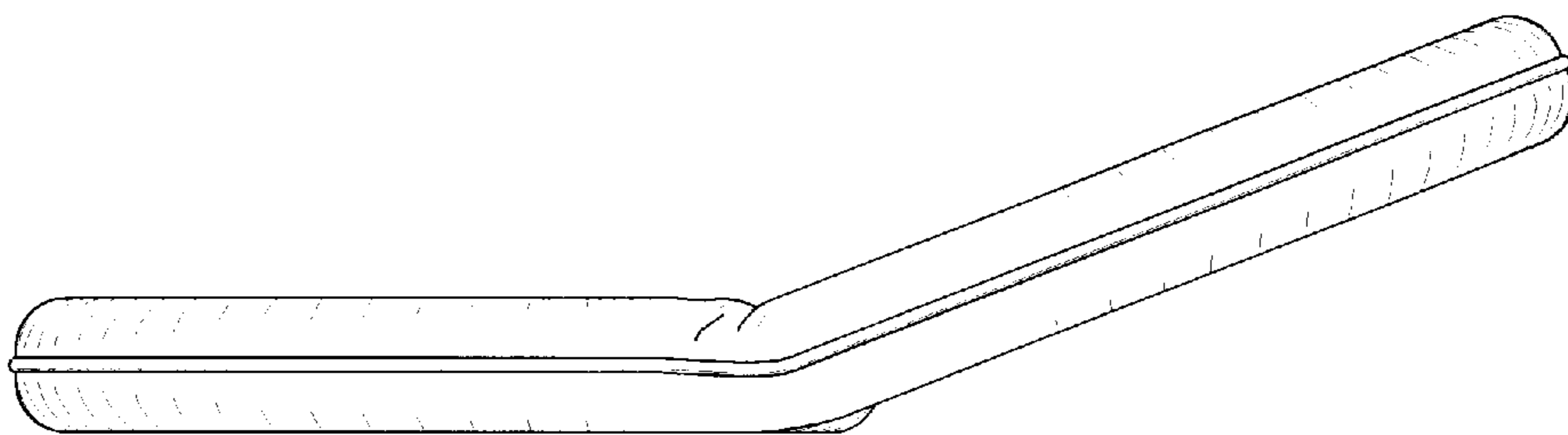


FIG. 8

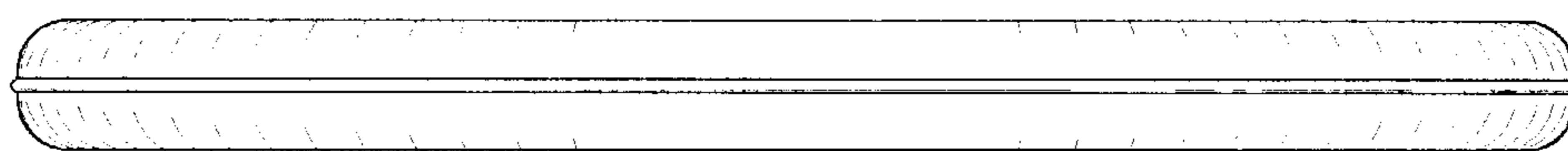


FIG. 9