



US00D538092S

(12) **United States Design Patent**
Snell

(10) **Patent No.:** **US D538,092 S**

(45) **Date of Patent:** **** Mar. 13, 2007**

(54) **SOAP DISPENSER**

D519,372 S * 4/2006 Hsieh D9/448

(75) Inventor: **Russell Benton Snell**, Bentleyville, OH
(US)

(73) Assignee: **InterDesign, Inc.**, Solon, OH (US)

(**) Term: **14 Years**

(21) Appl. No.: **29/231,255**

(22) Filed: **Jun. 2, 2005**

(51) **LOC (8) Cl.** **23-02**

(52) **U.S. Cl.** **D6/542**

(58) **Field of Classification Search** D6/542-545;
221/282; 222/14, 173, 146.3, 628, 251, 181.1,
222/181.3; D9/682, 688, 690, 691, 448, 449
See application file for complete search history.

(56) **References Cited**

U.S. PATENT DOCUMENTS

D349,649 S	*	8/1994	Hanna	D9/448
D438,041 S	*	2/2001	Huang	D6/542
D451,735 S	*	12/2001	Hanna	D6/542
D466,588 S	*	12/2002	Lord	D6/542
D477,778 S		7/2003	Dretzka		
D477,990 S		8/2003	Dretzka		
D477,991 S		8/2003	Dretzka		
D479,779 S	*	9/2003	Zhao	D6/542
D480,642 S		10/2003	Dretzka		
D480,643 S		10/2003	Dretzka		
D484,039 S		12/2003	Dretzka		
D484,401 S		12/2003	Dretzka		
D486,336 S		2/2004	Snell		
D488,716 S	*	4/2004	Dretzka	D9/448
D489,617 S	*	5/2004	Snell	D9/448
D495,032 S	*	8/2004	Dretzka	D23/238
D496,262 S		9/2004	Dretzka		

OTHER PUBLICATIONS

InterDesign 2002 product catalog, 2002, p. 6 and front cover page.

Bath, InterDesign Inc. product brochure, 1998, p. 6 and front and back covers.

Housewares, InterDesign Inc. product brochure, 1998, p. 5 and front and back covers.

* cited by examiner

Primary Examiner—Brian N Vinson

(74) *Attorney, Agent, or Firm*—D. Peter Hochberg; Sean Mellino

(57) **CLAIM**

The ornamental design for a soap dispenser, as shown and described.

DESCRIPTION

FIG. 1 is a perspective view of the soap dispenser according to the invention;

FIG. 2 is a top view of the soap dispenser as shown in FIG. 1;

FIG. 3 is a front view of the soap dispenser as shown in FIG. 1;

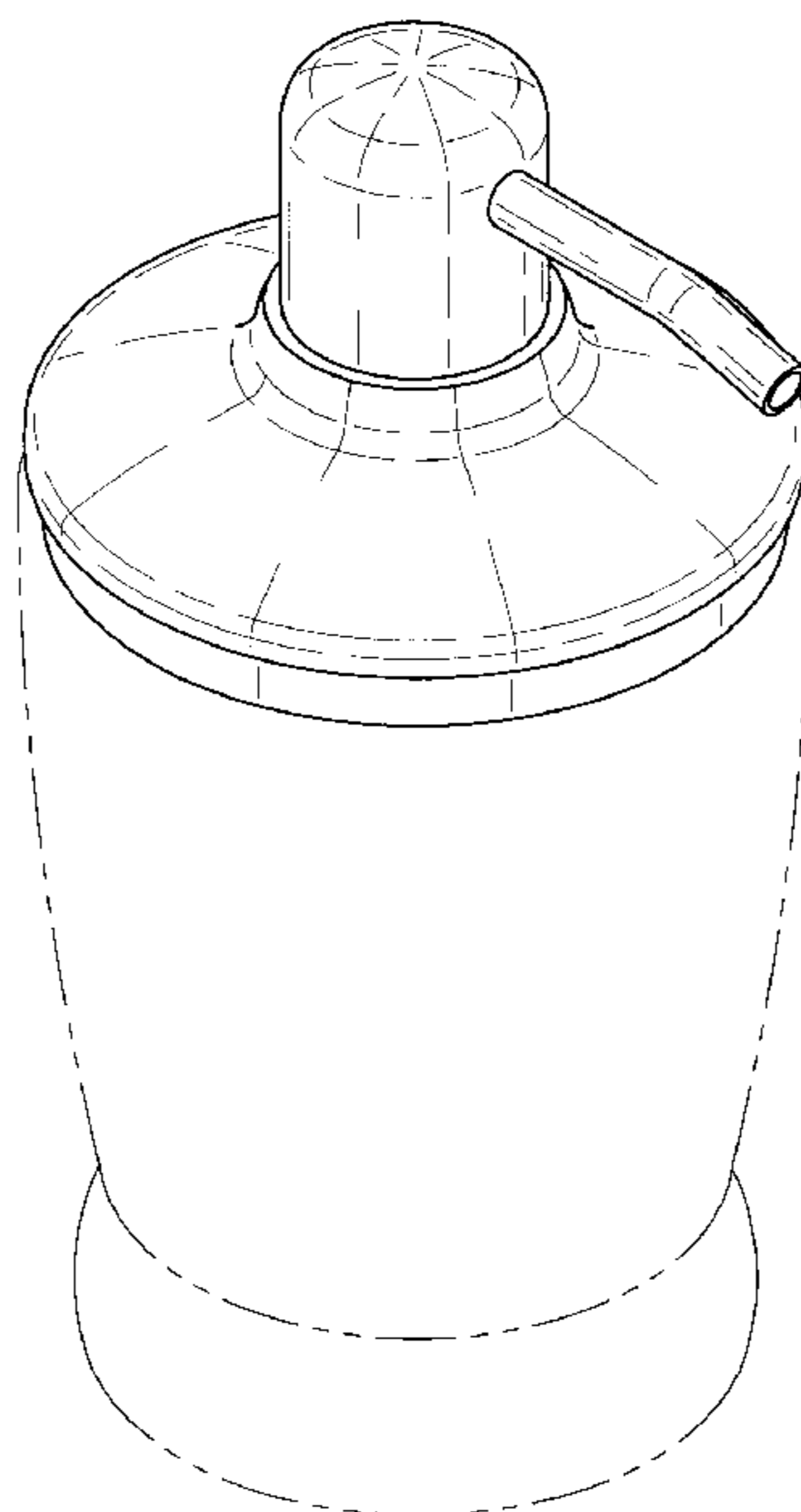
FIG. 4 is a side view of the soap dispenser as shown in FIG. 1;

FIG. 5 is a rear view of the soap dispenser as shown in FIG. 1;

FIG. 6 is a side view of the soap dispenser as shown in FIG. 1, viewed from the opposite side of that shown in FIG. 4; and,

FIG. 7 is a bottom view of the soap dispenser as shown in FIG. 1.

1 Claim, 3 Drawing Sheets



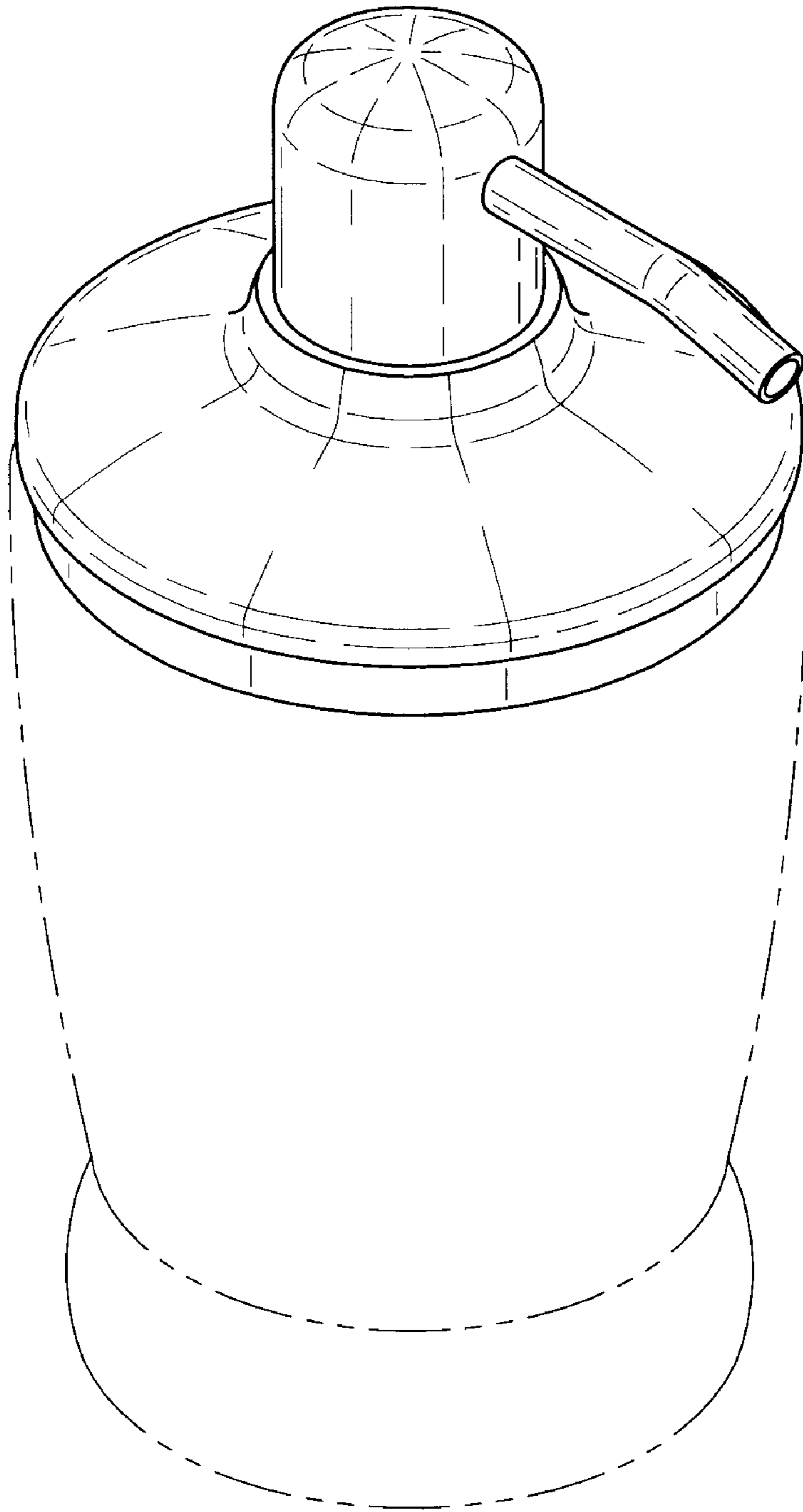


FIG-1

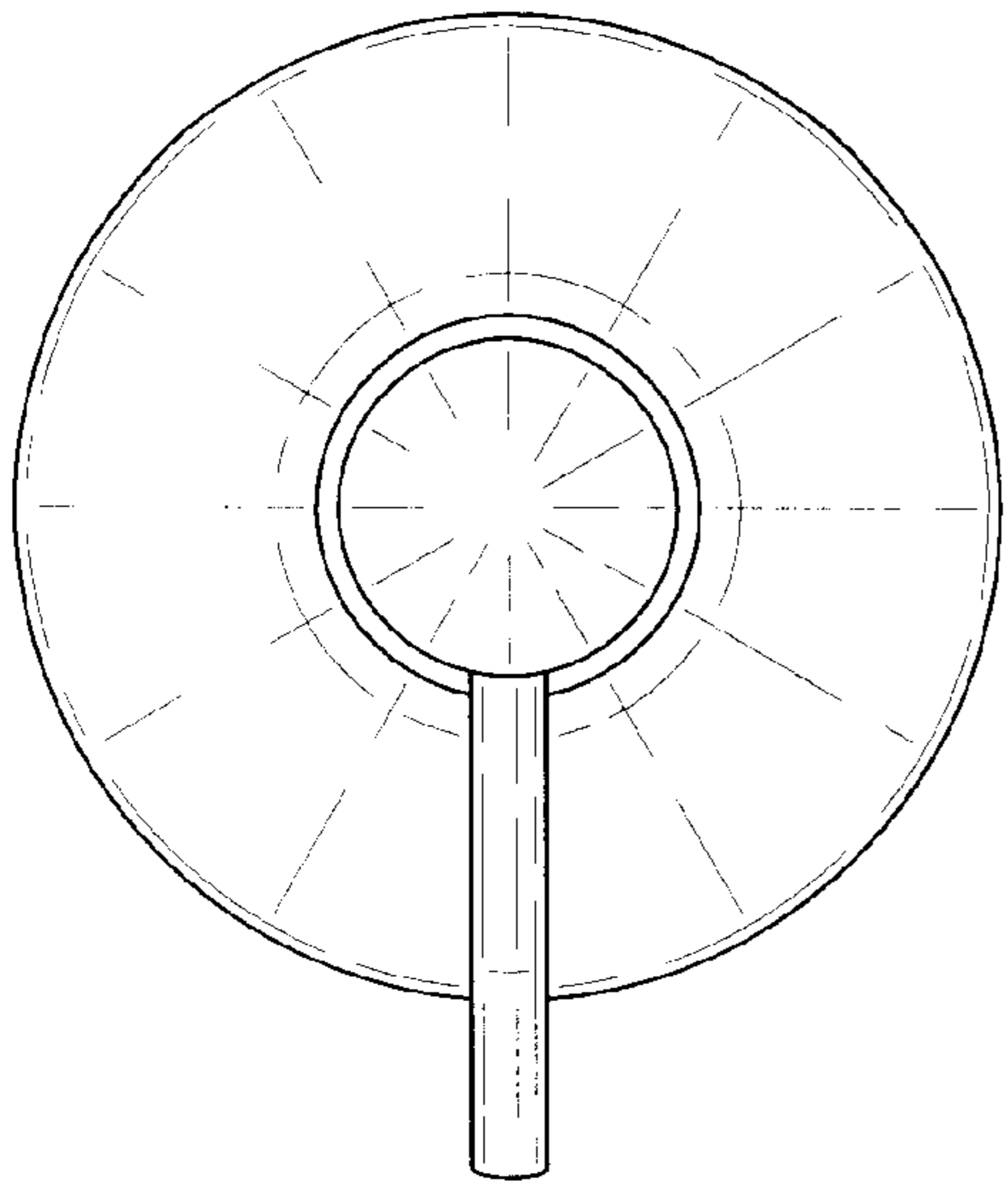


FIG-2

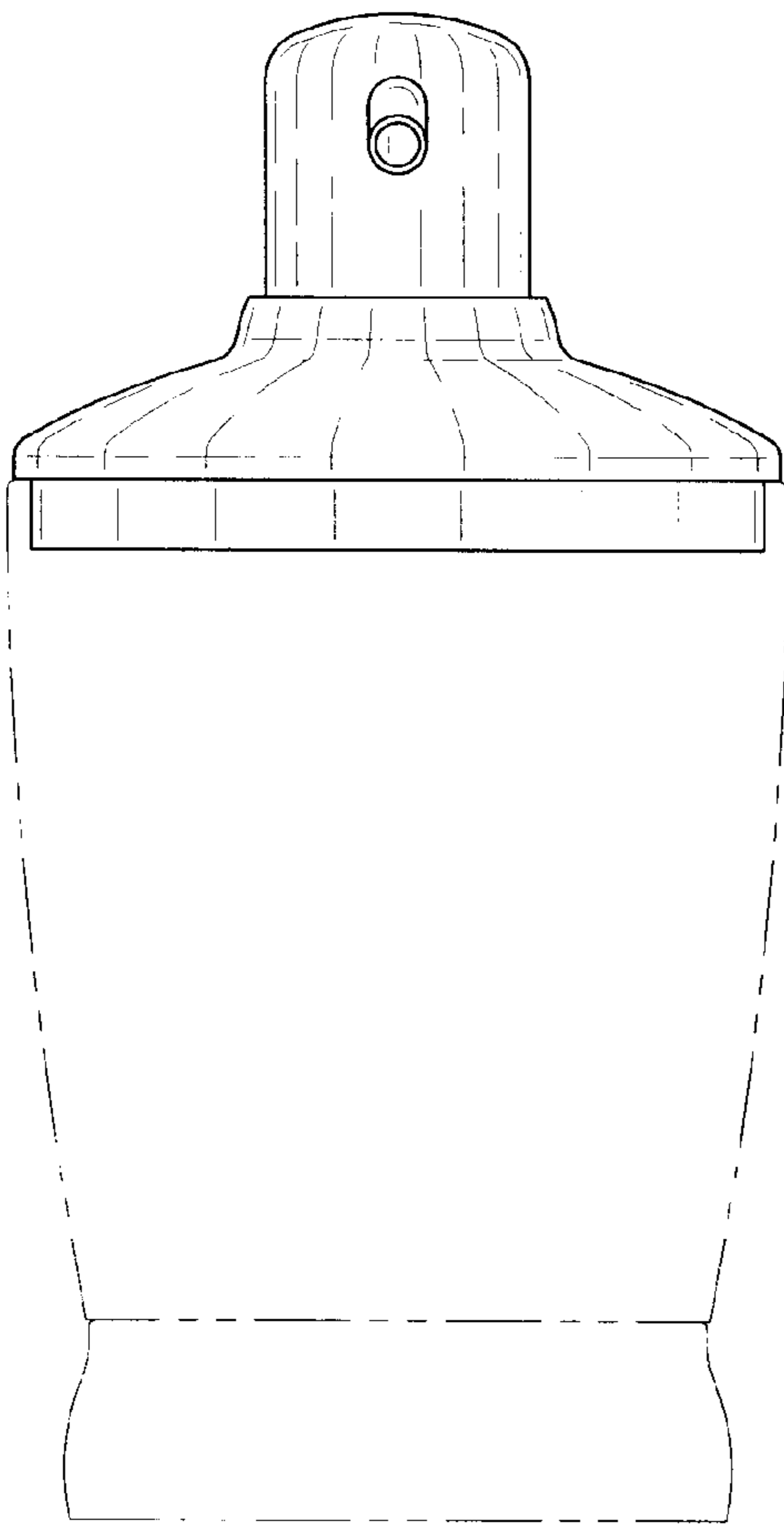


FIG-3

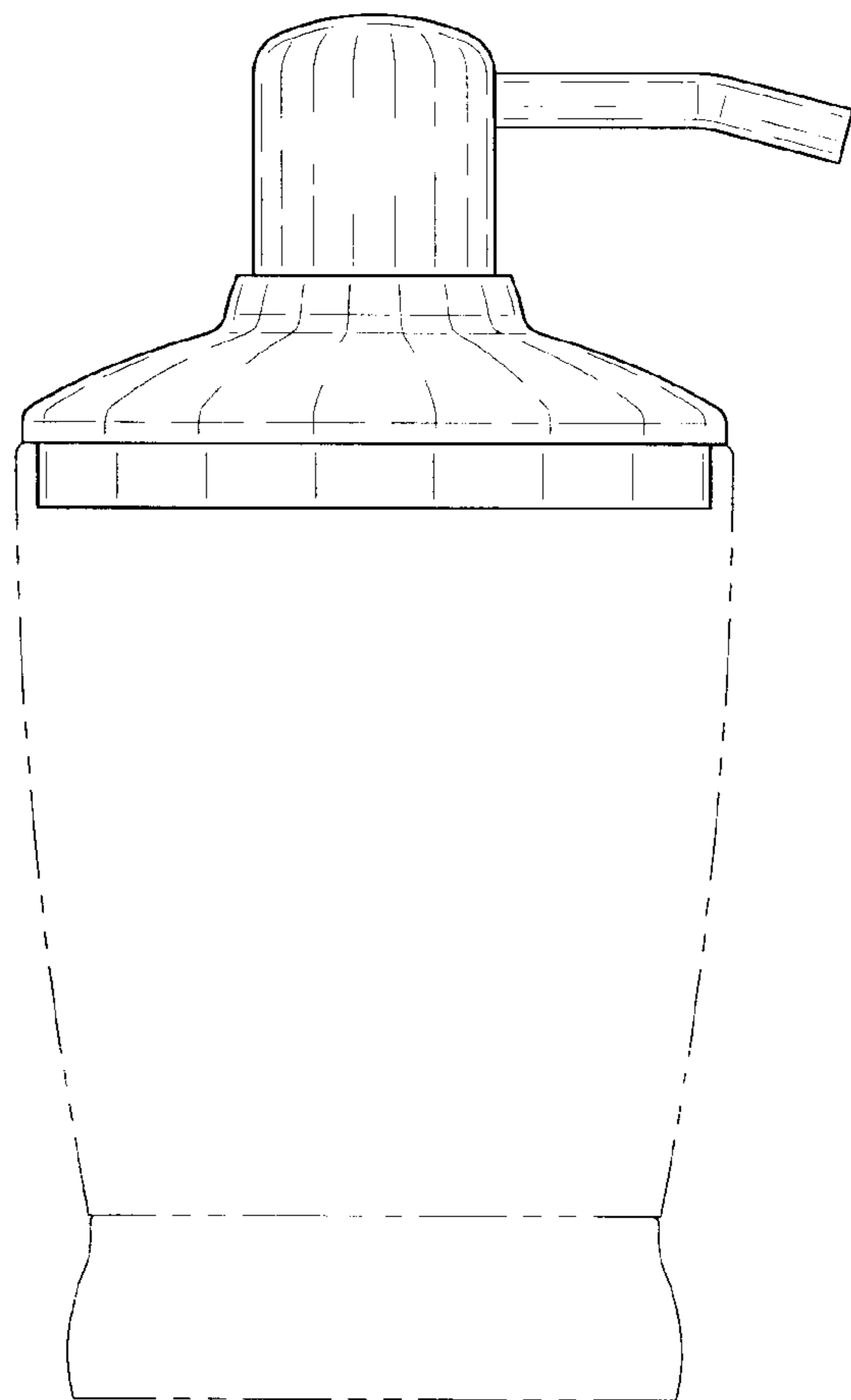


FIG-4

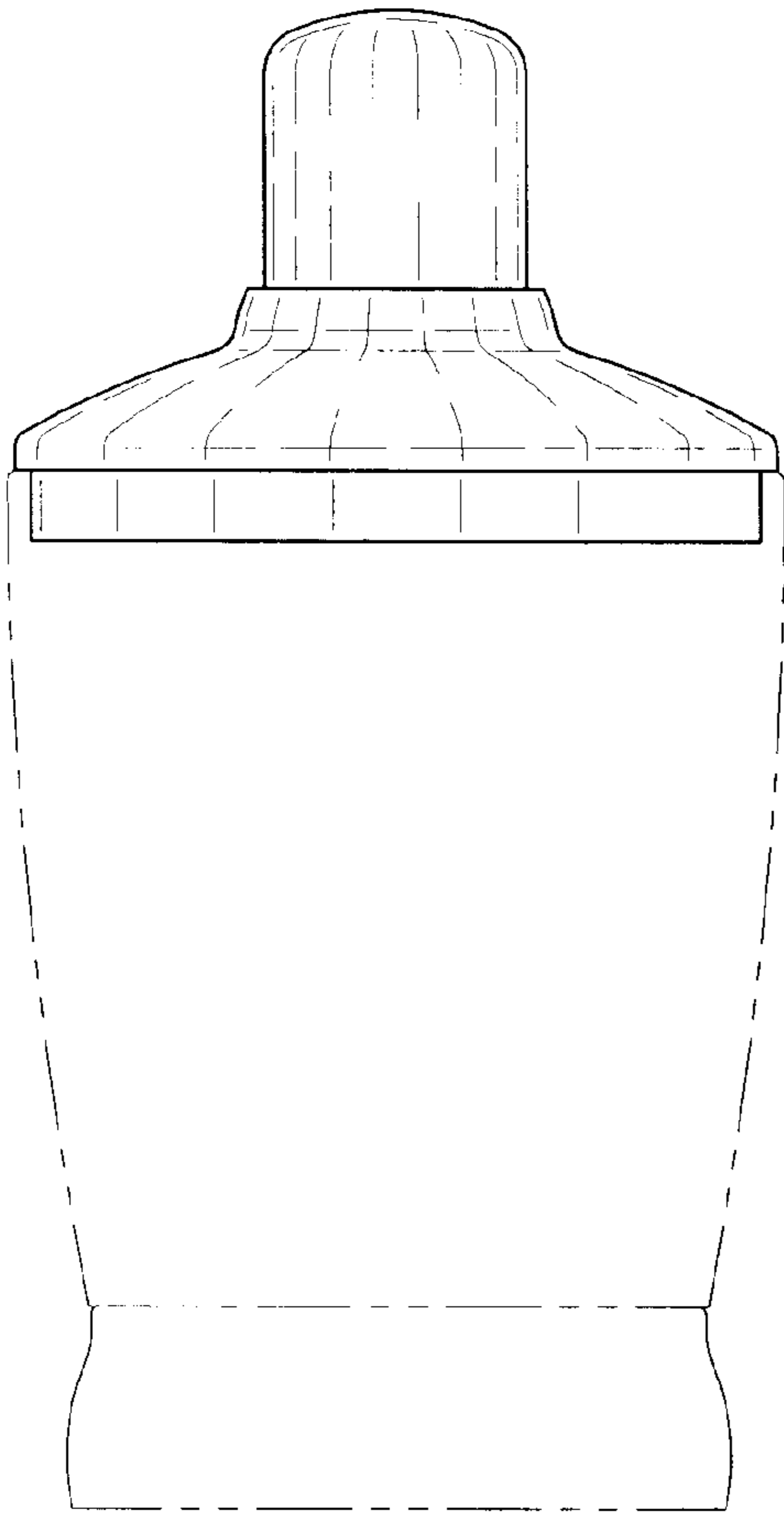


FIG-5

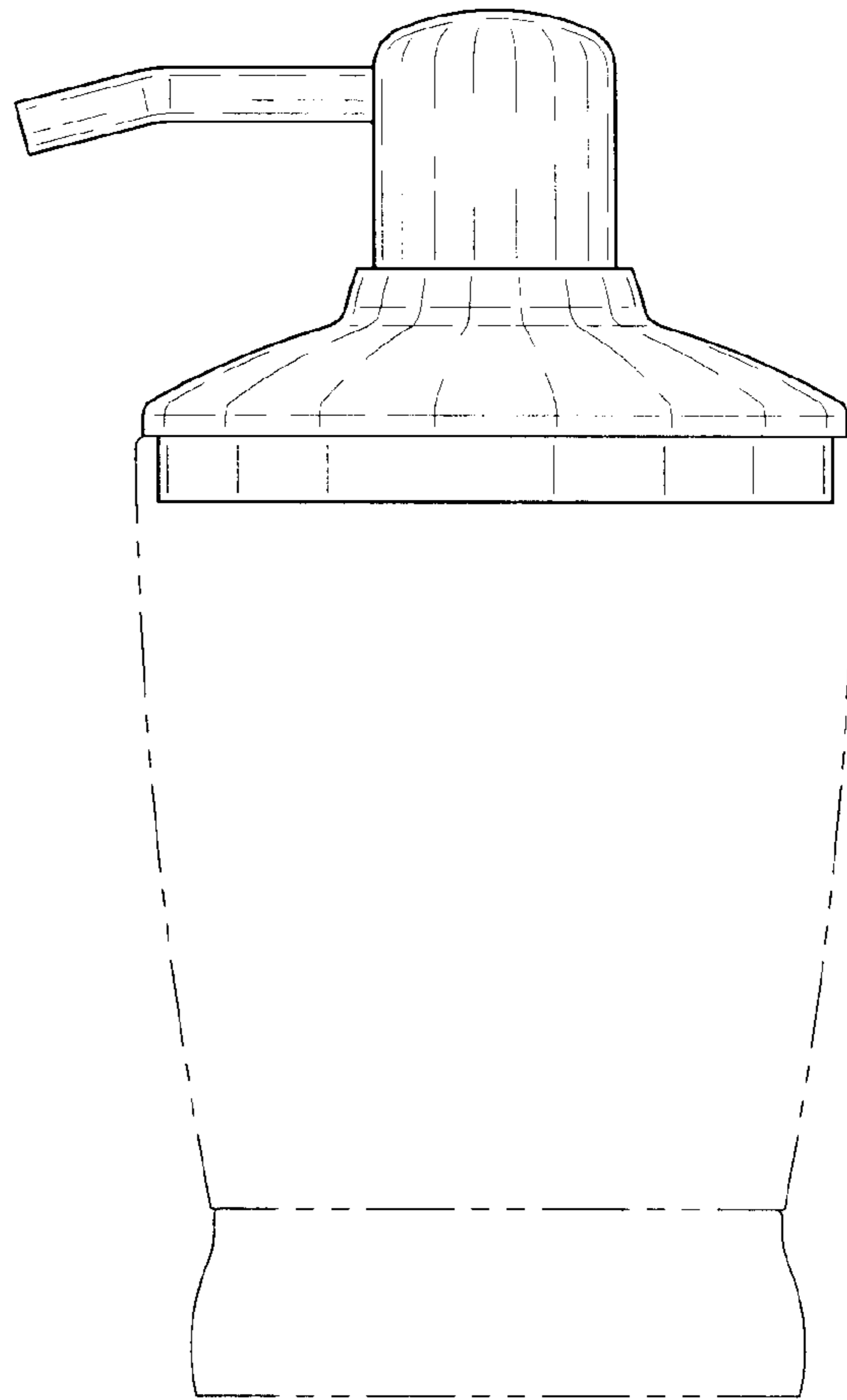


FIG-6

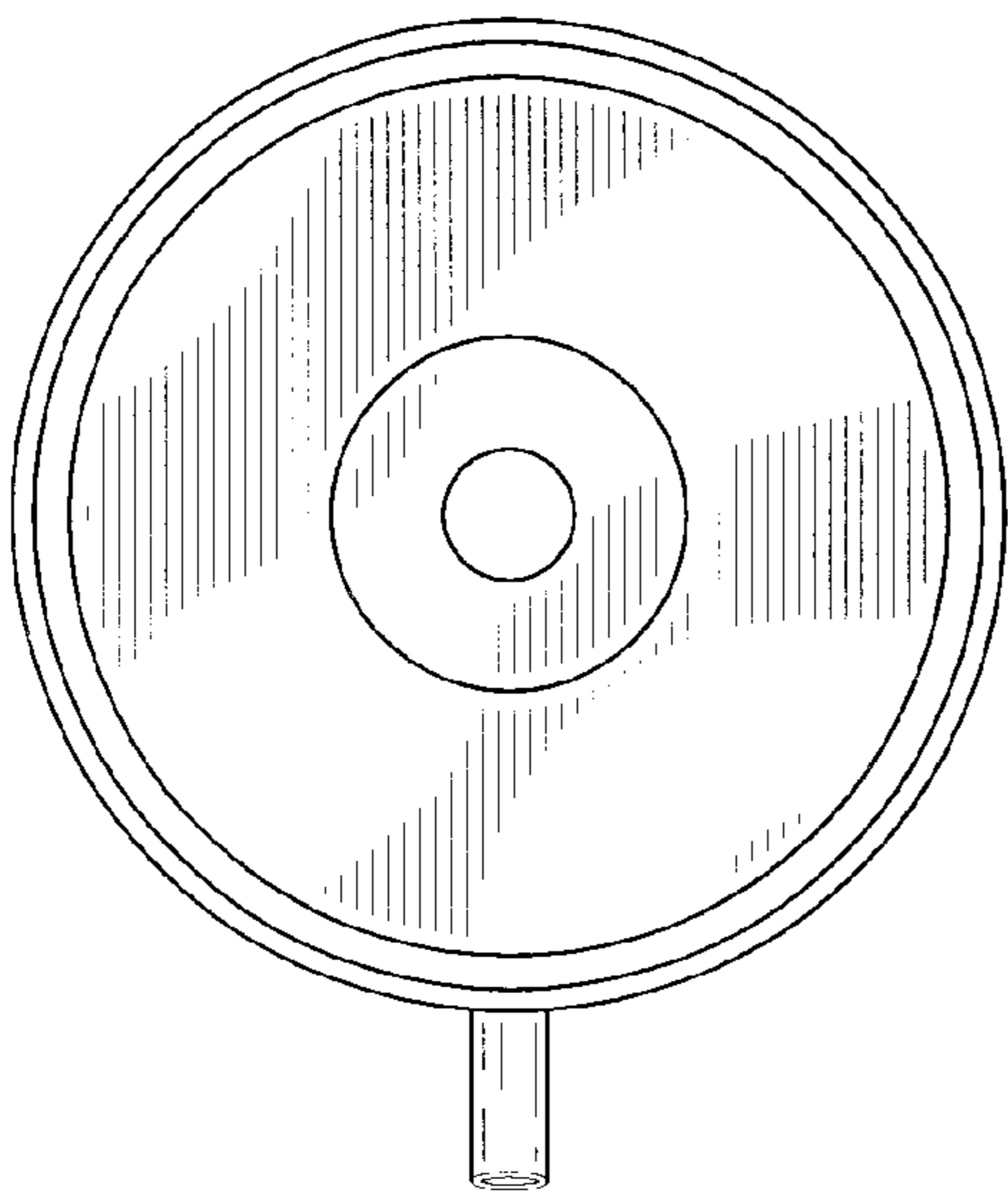


FIG-7