



US00D538086S

(12) **United States Design Patent**  
**Shake**

(10) **Patent No.:** **US D538,086 S**

(45) **Date of Patent:** **\*\* Mar. 13, 2007**

(54) **CHAIR BACK HAVING IRREGULARLY SHAPED SLATS**

(75) Inventor: **Brian D. Shake**, Granite Falls, NC (US)

(73) Assignee: **Outdoor Concepts, Inc.**, Granite Falls, NC (US)

(\*\*) Term: **14 Years**

(21) Appl. No.: **29/206,975**

(22) Filed: **Jun. 7, 2004**

(51) **LOC (8) Cl.** ..... **06-01**

(52) **U.S. Cl.** ..... **D6/502**

(58) **Field of Classification Search** ..... D6/334,  
D6/370, 374, 375, 379, 380, 395, 482, 500-502;  
297/452.63

See application file for complete search history.

(56) **References Cited**

U.S. PATENT DOCUMENTS

D68,027 S	*	8/1925	Wurdack	.....	D6/370
D109,239 S	*	4/1938	Wolpin	.....	D6/370
D276,106 S	*	10/1984	Grosfillex	.....	D6/368
D295,927 S	*	5/1988	Hickey	.....	D6/370
D319,354 S	*	8/1991	Wolcott	.....	D6/370
5,120,071 A	*	6/1992	Thibault et al.	.....	280/47.4
D384,511 S	*	10/1997	Gresens	.....	D6/370
D425,719 S	*	5/2000	Chalmers et al.	.....	D6/370
D503,550 S	*	4/2005	Miesieski et al.	.....	D6/336
D509,970 S	*	9/2005	Adams	.....	D6/368

\* cited by examiner

*Primary Examiner*—Caron D. Veynar

*Assistant Examiner*—Katrina A. Kile

(74) *Attorney, Agent, or Firm*—Everman Law Firm, PA;  
Gregory R. Everman

(57) **CLAIM**

The ornamental design for a chair back having irregularly shaped slats, as shown and described.

**DESCRIPTION**

FIG. 1 is a perspective view of the invented chair back having irregularly shaped slats, showing my new design forming the back of an adirondack chair, of which the remaining portion of the chair is shown in broken lines;

FIG. 2 is a top view thereof;

FIG. 3 is a left side view thereof;

FIG. 4 is a front view thereof;

FIG. 5 is a right side view thereof;

FIG. 6 is a rear view thereof;

FIG. 7 is a bottom view thereof;

FIG. 8 is a perspective view of an alternative embodiment of the invented chair back having irregularly shaped slats, similar to that as shown in FIG. 1, but having fewer slats;

FIG. 9 is a top view thereof;

FIG. 10 is a left side view thereof;

FIG. 11 is a front view thereof;

FIG. 12 is a right side view thereof;

FIG. 13 is a rear view thereof;

FIG. 14 is a bottom view thereof;

FIG. 15 is a perspective view of another alternative embodiment of the invented chair back having irregularly shaped slats, similar to that as shown in FIG. 1, but wherein the chair back is fanned such that the top of the chair back is wider than the bottom of chair back;

FIG. 16 is a top view thereof;

FIG. 17 is a left side view thereof;

FIG. 18 is a front side view thereof;

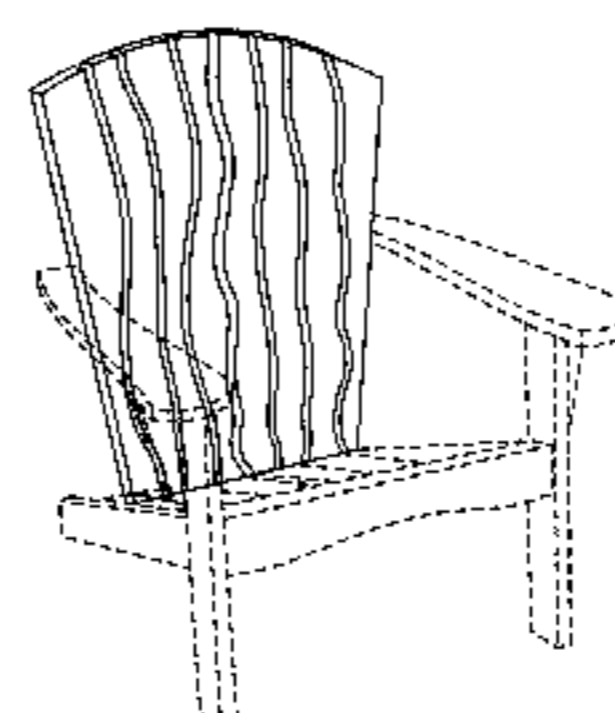
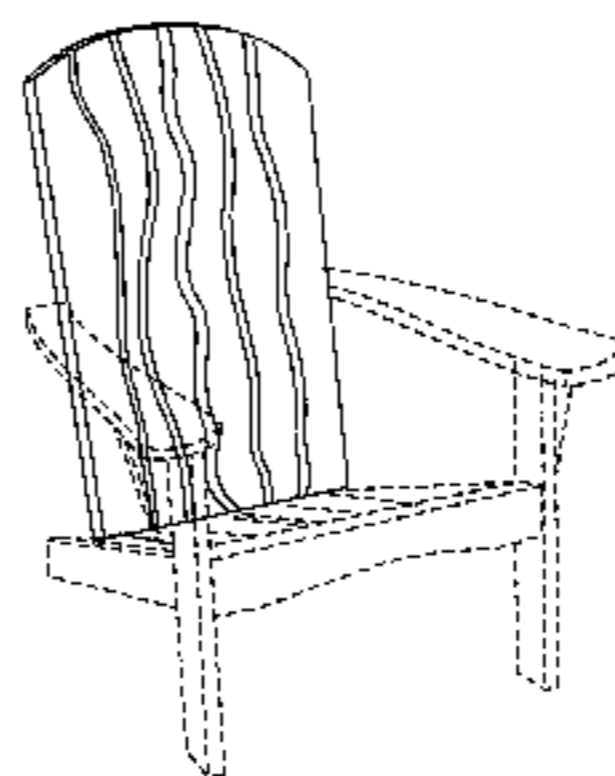
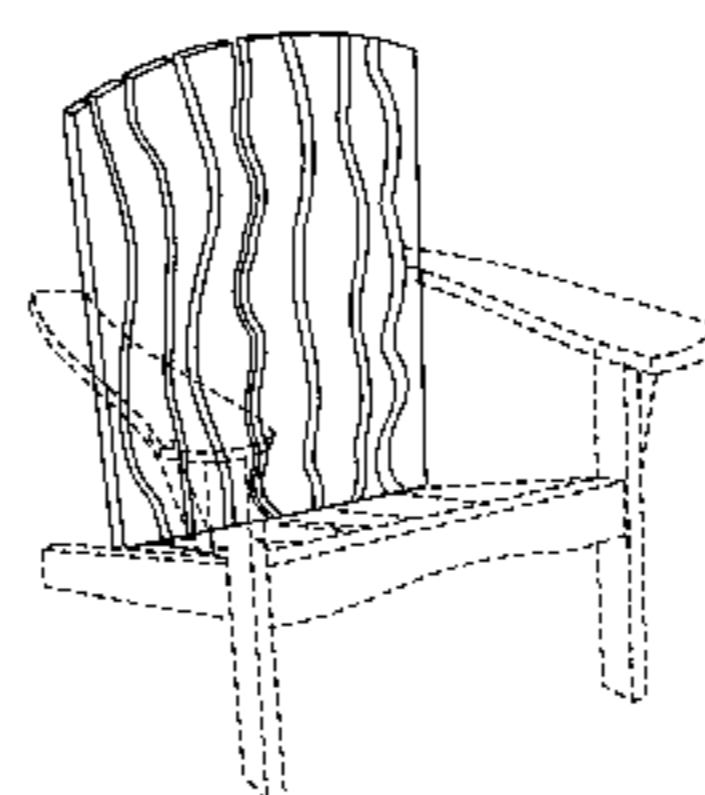
FIG. 19 is a right side view thereof;

FIG. 20 is a back view thereof; and,

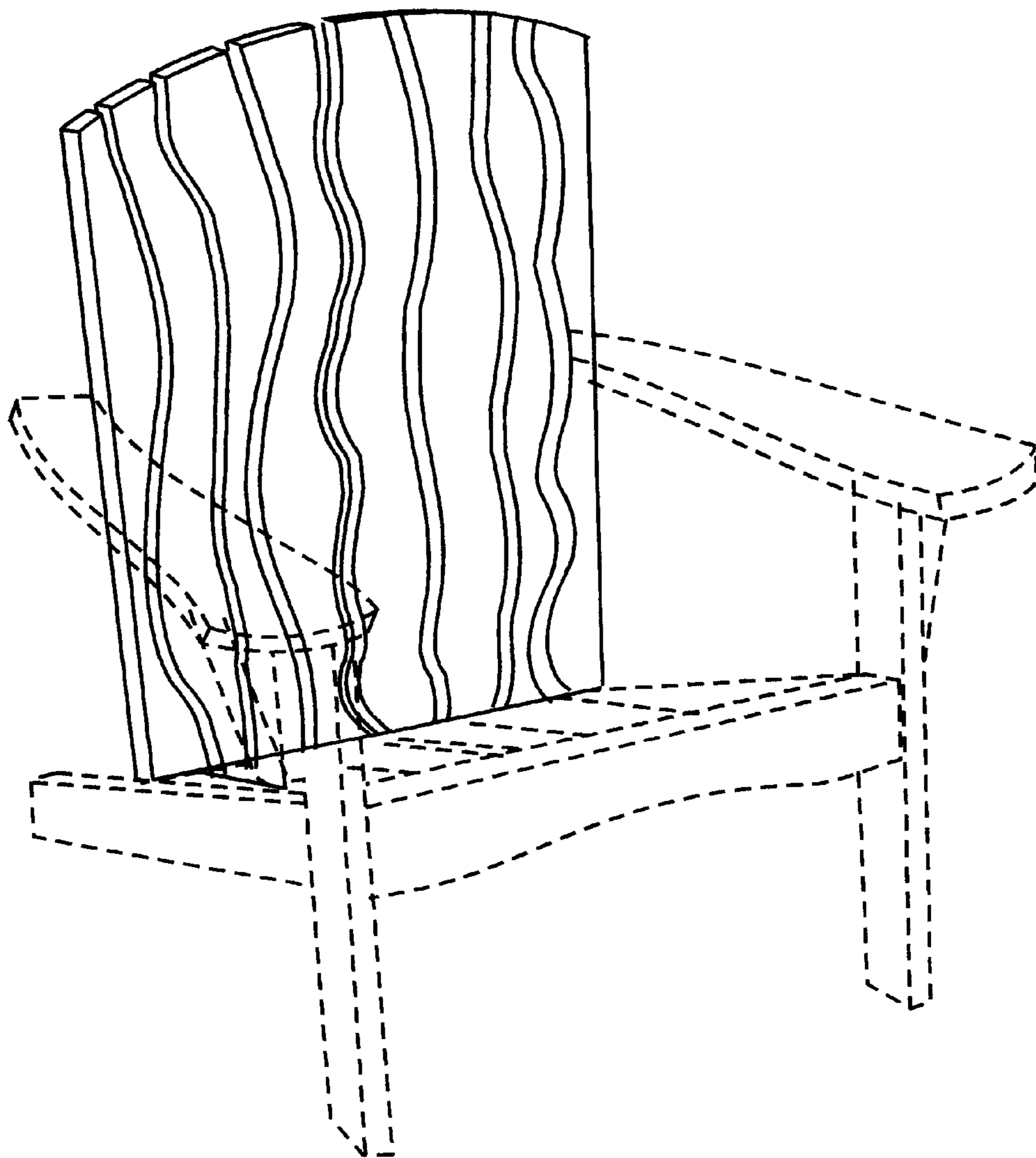
FIG. 21 is a bottom view thereof.

The broken line showing is for illustrative purposes only and forms no part of the claimed design.

**1 Claim, 6 Drawing Sheets**



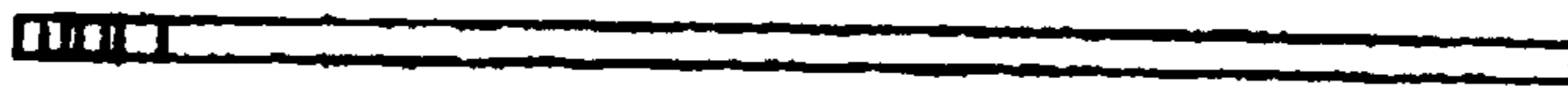
*Fig. 1*



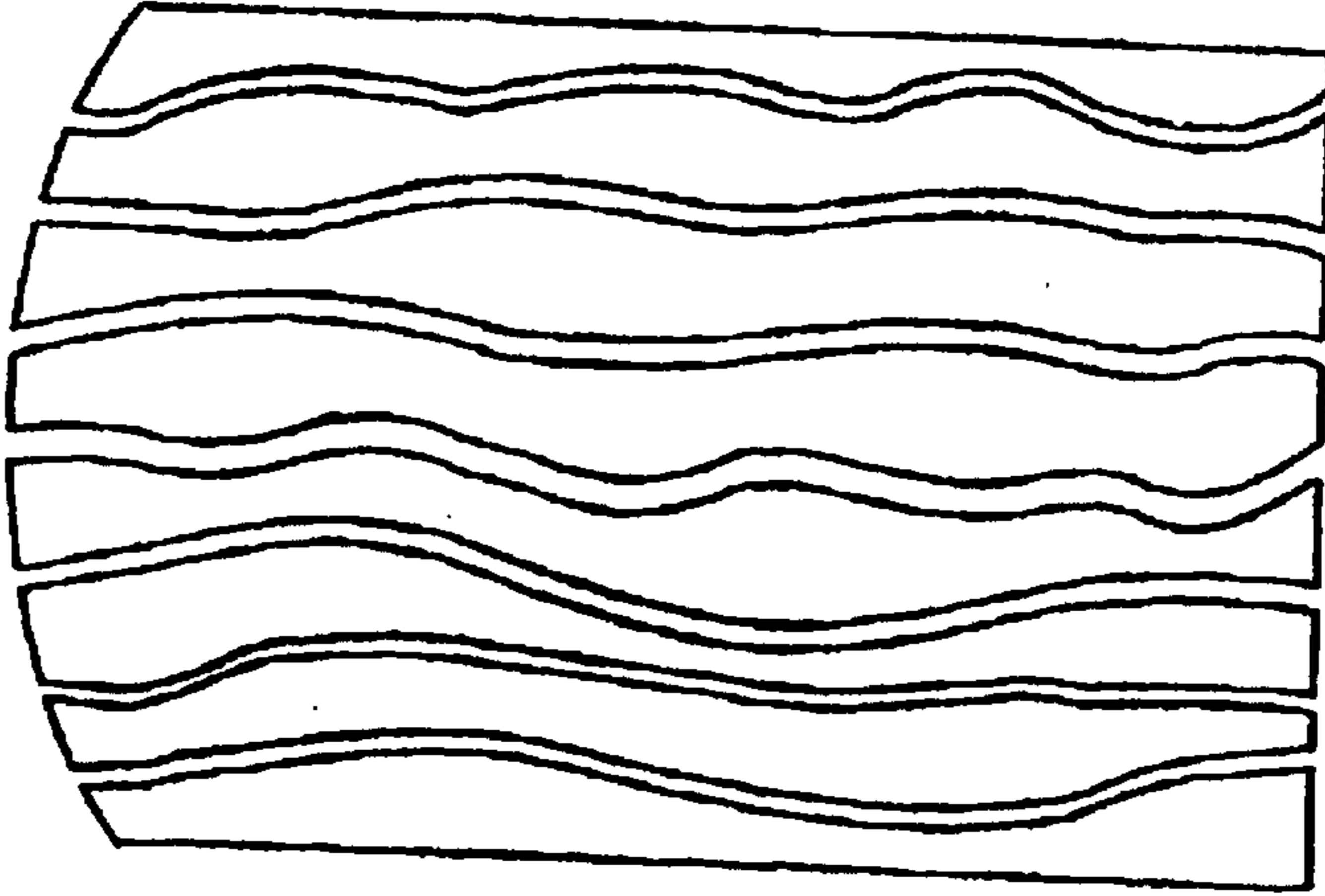
*Fig. 2*



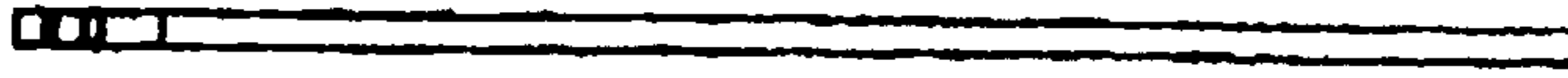
*Fig. 3*



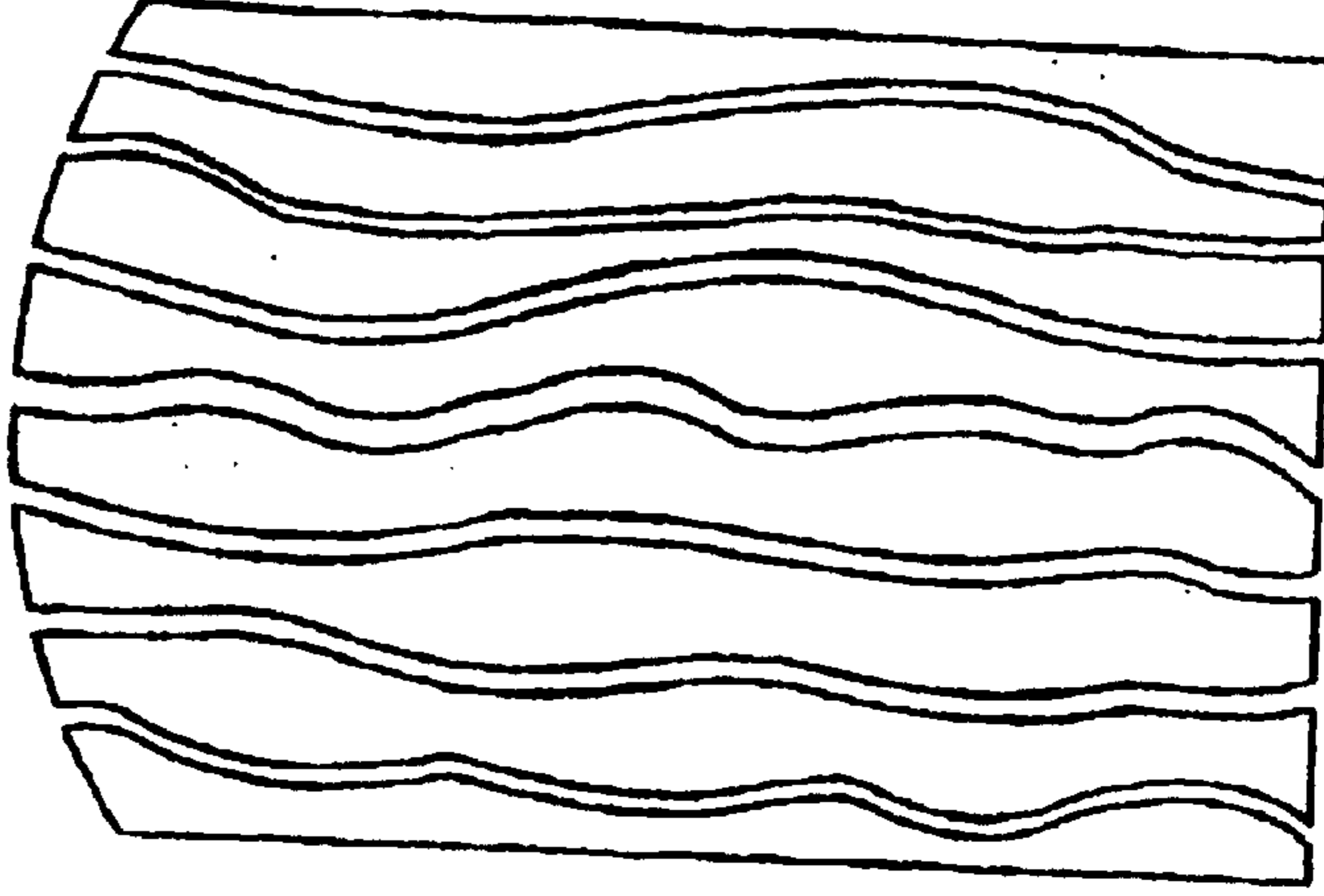
*Fig. 4*



*Fig. 5*



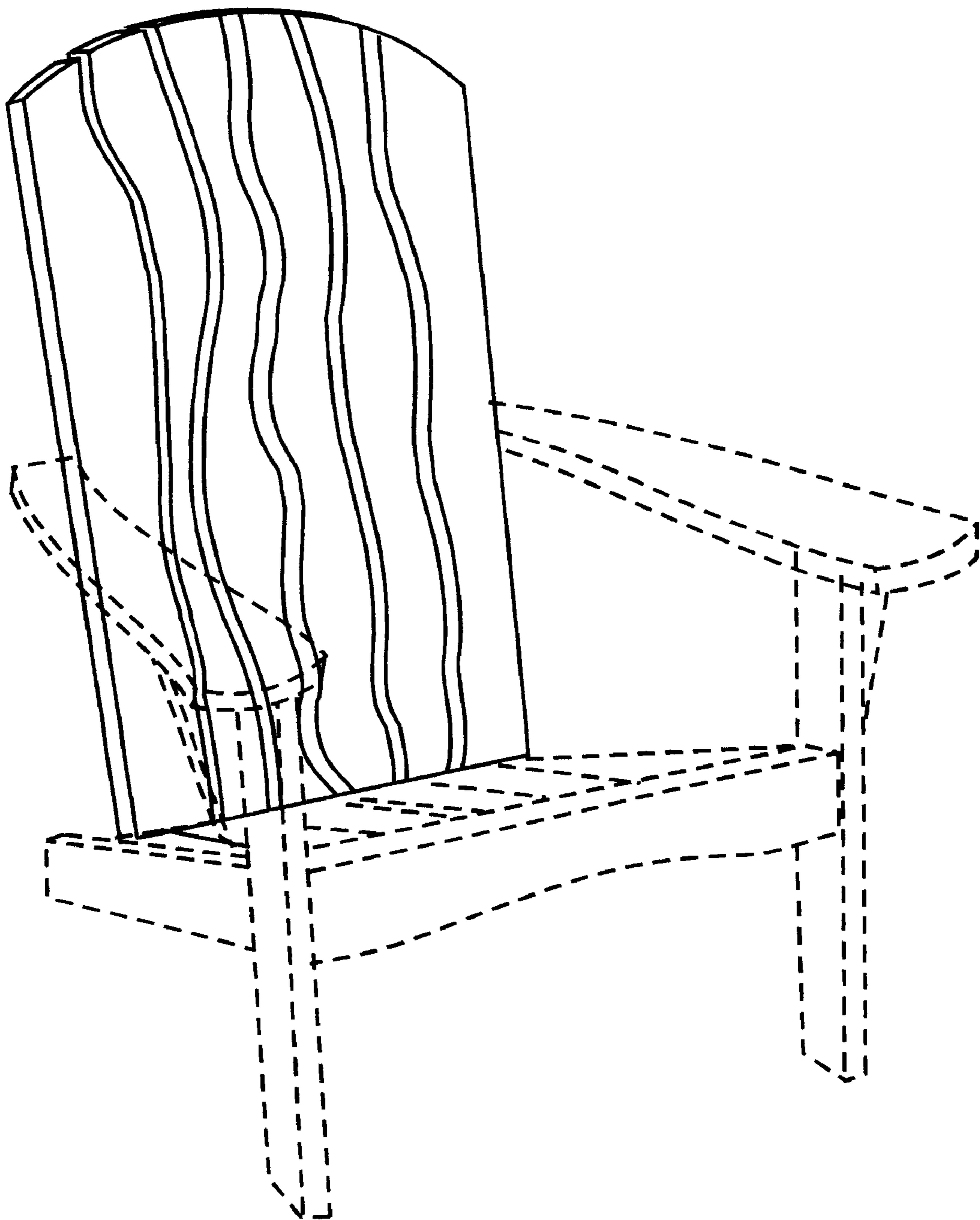
*Fig. 6*



*Fig. 7*



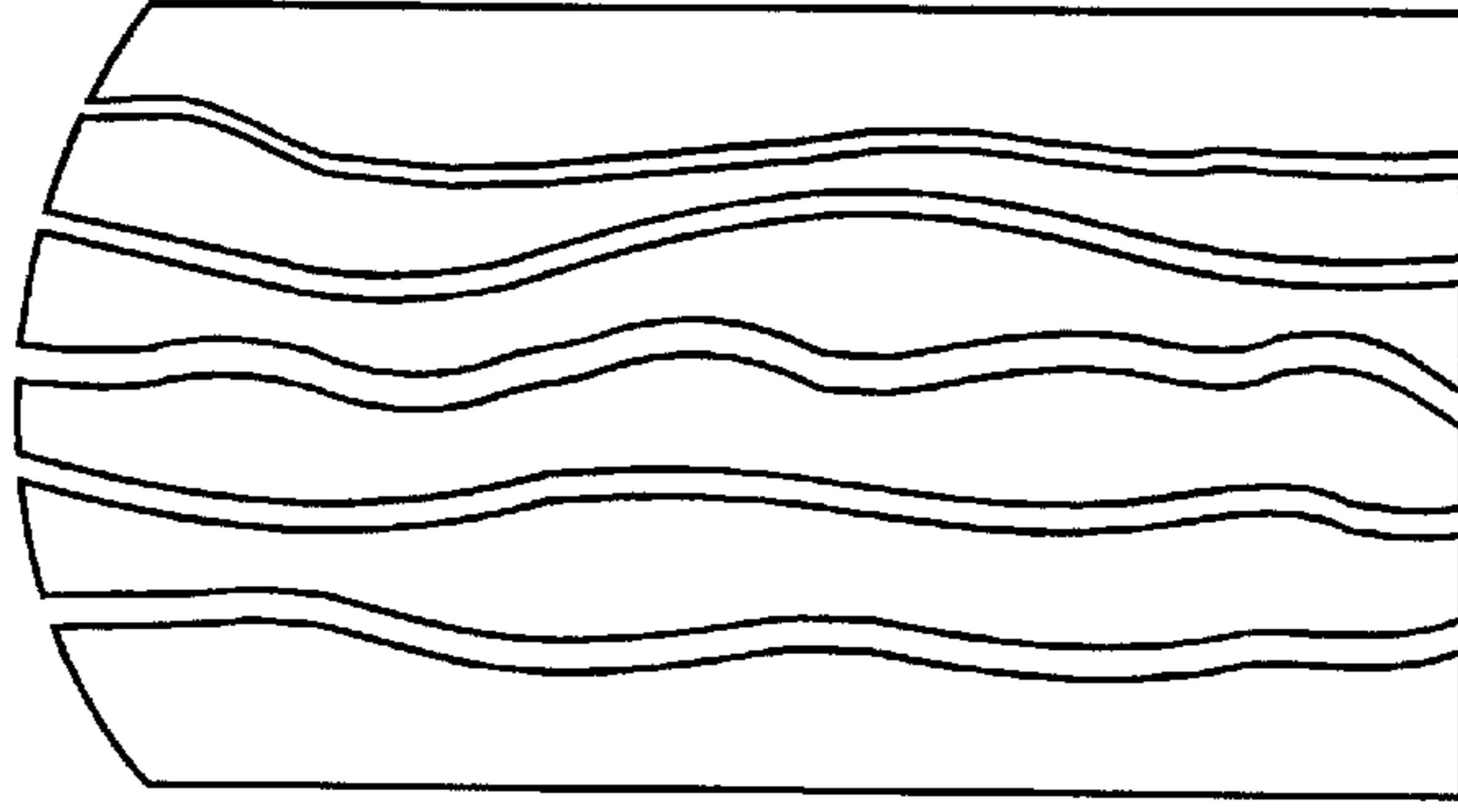
*Fig. 8*



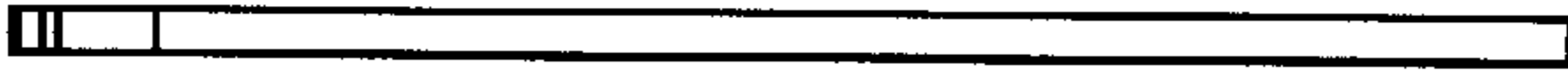
*Fig. 9*



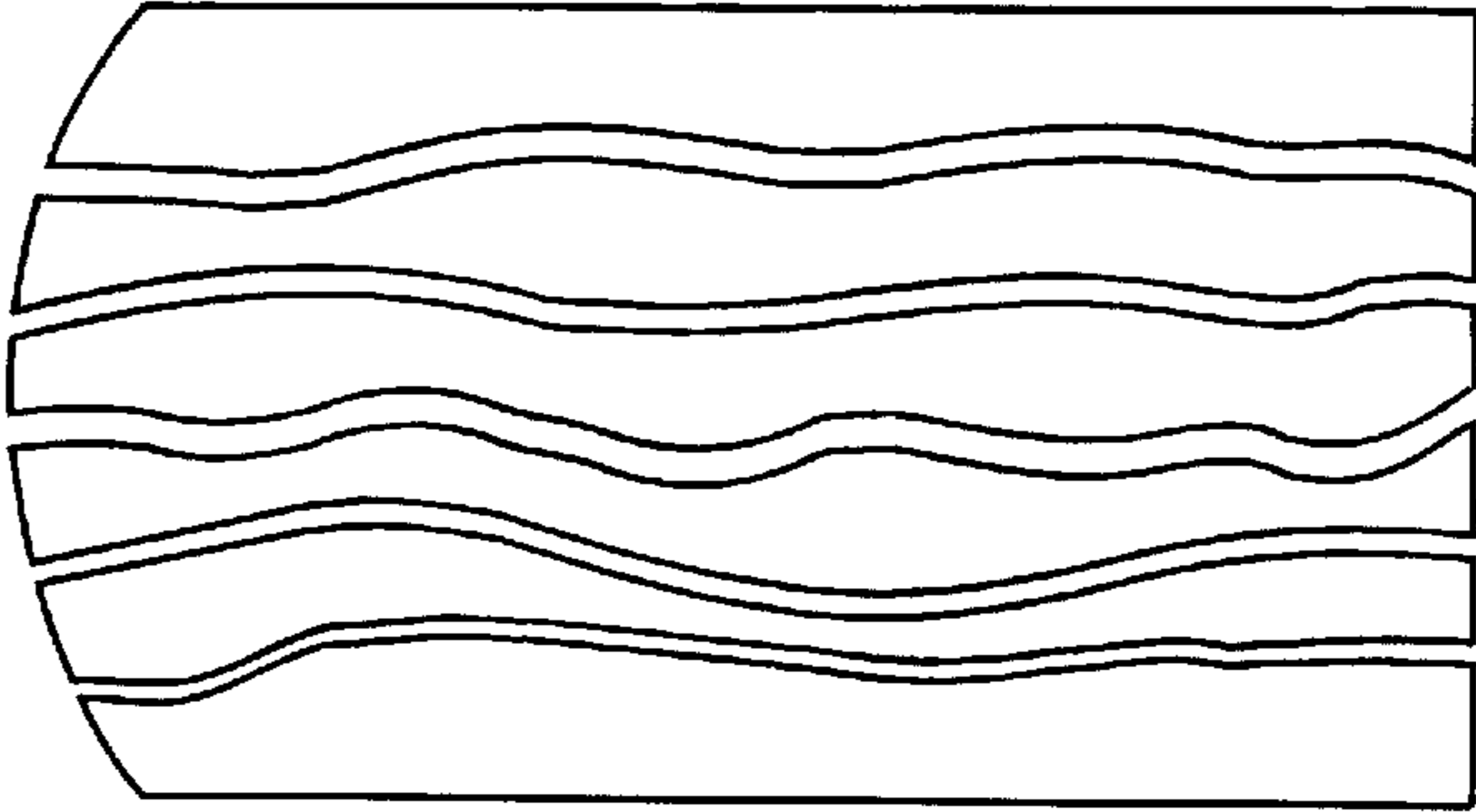
*Fig. 13*



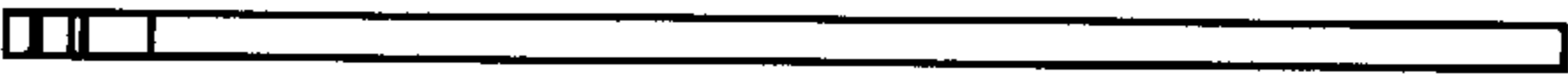
*Fig. 12*



*Fig. 11*

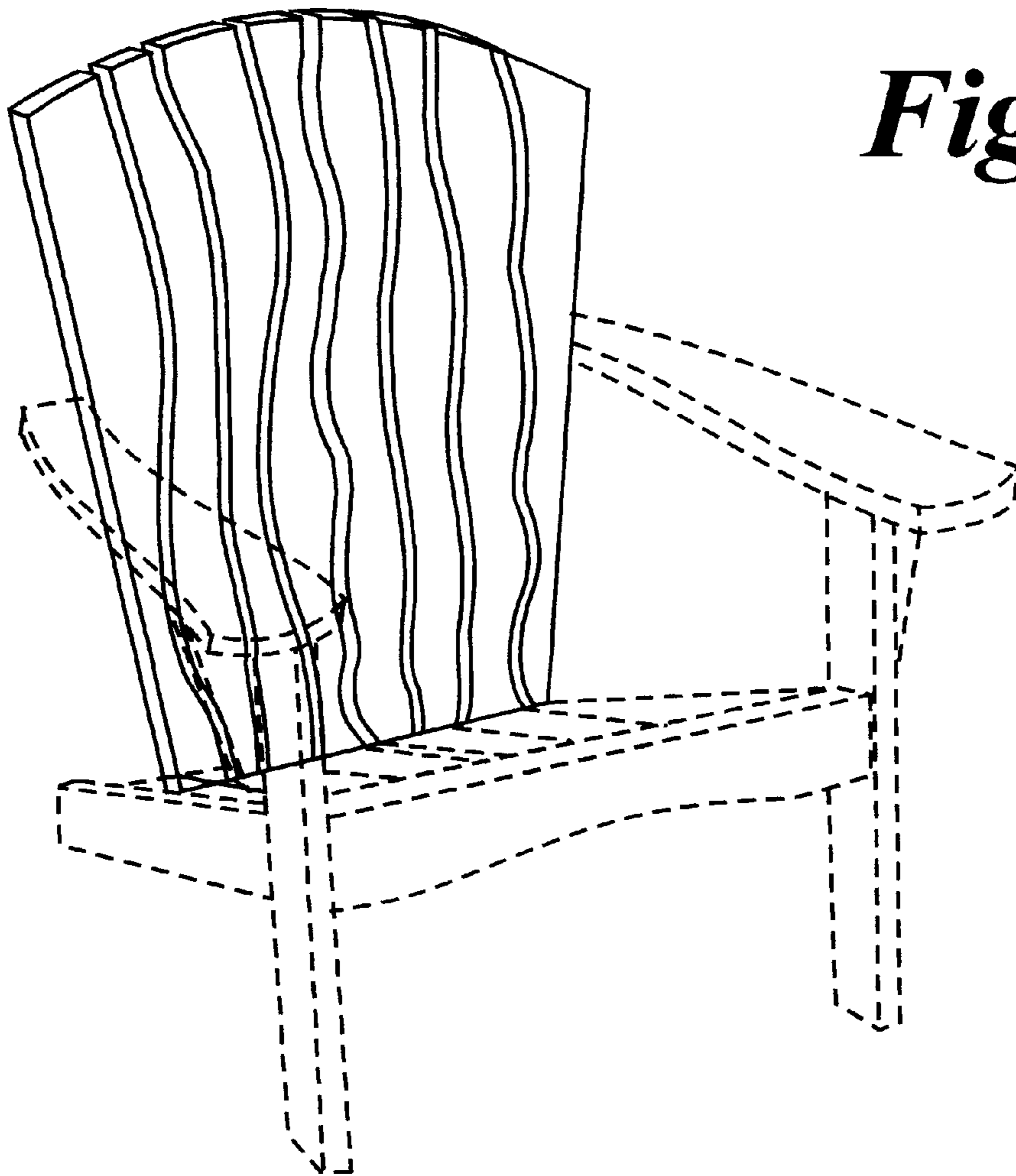


*Fig. 10*



*Fig. 14*



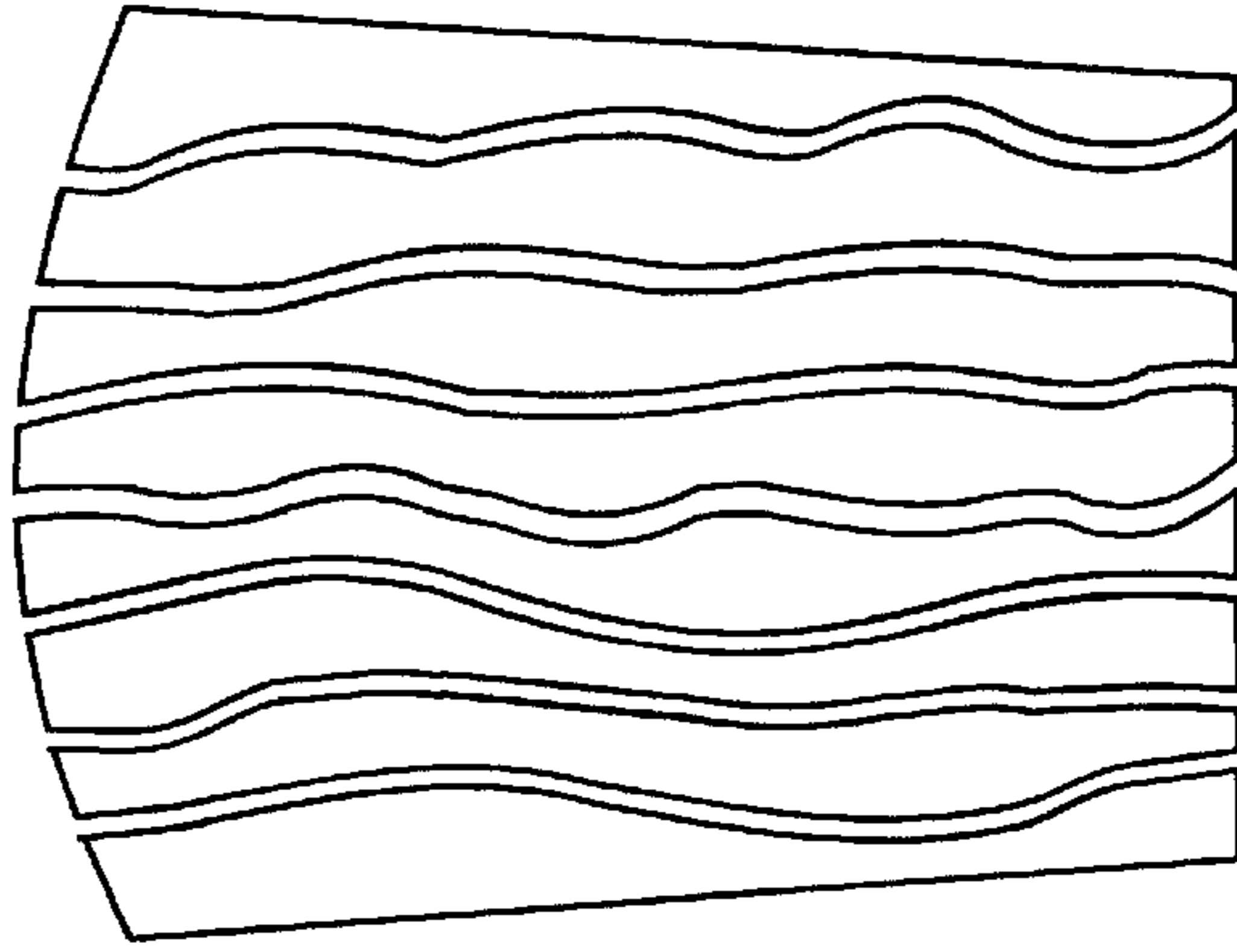


*Fig. 15*

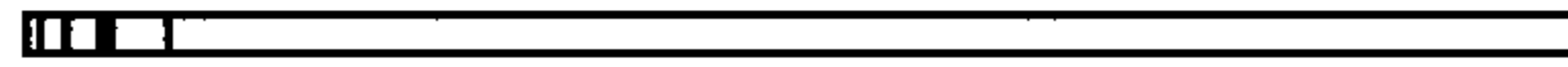
*Fig. 16*



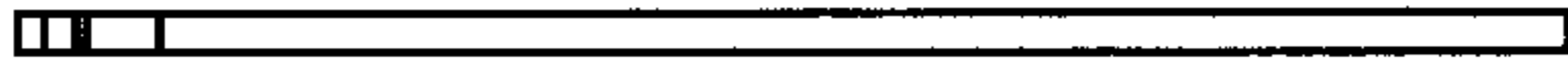
*Fig. 18*



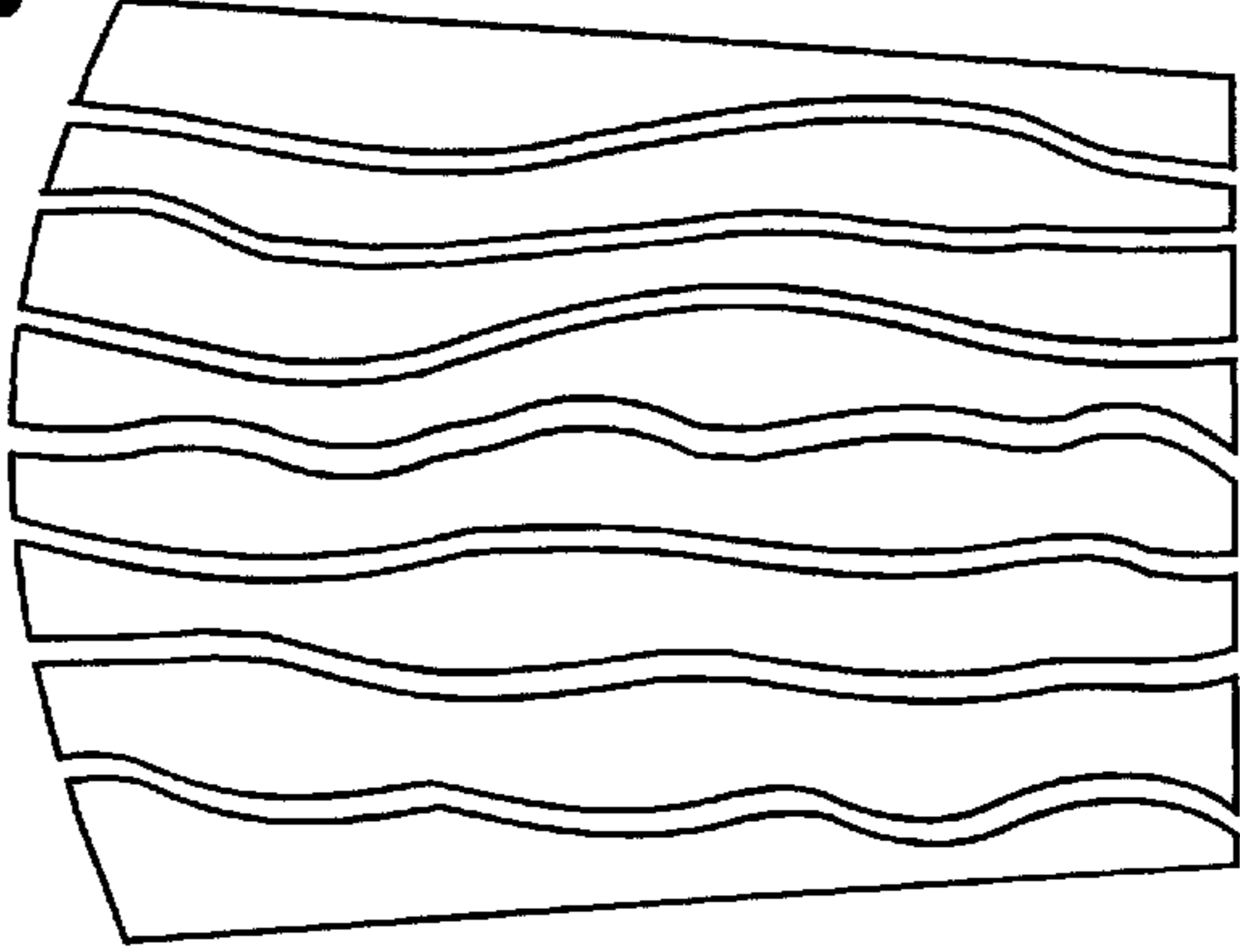
*Fig. 17*



*Fig. 19*



*Fig. 20*



*Fig. 21*

