



US00D538081S

(12) **United States Design Patent**
Mazzera

(10) **Patent No.:** **US D538,081 S**

(45) **Date of Patent:** **** Mar. 13, 2007**

(54) **CHAIR ARM**

(75) Inventor: **Marcello Mazzera**, Chatsworth, CA
(US)

(73) Assignee: **True Seating Concepts, LLC** (MU)

(**) Term: **14 Years**

(21) Appl. No.: **29/257,604**

(22) Filed: **Apr. 7, 2006**

(51) **LOC (8) Cl.** **06-06**

(52) **U.S. Cl.** **D6/501; D6/366**

(58) **Field of Classification Search** D6/334-336,
D6/364, 365, 366, 367, 372, 379, 491, 500-502;
297/411.2, 411.27, 411.28, 411.4, 463.1
See application file for complete search history.

(56) **References Cited**

U.S. PATENT DOCUMENTS

D289,707 S	*	5/1987	Favaretto	D6/366
D345,866 S	*	4/1994	Barker	D6/366
D379,567 S	*	6/1997	Grivet	D6/500
D395,175 S	*	6/1998	Fancelli	D6/372
D417,792 S	*	12/1999	Hansen et al.	D6/366
D431,402 S	*	10/2000	Wang	D6/501

D449,173 S	*	10/2001	Chang	D6/366
D472,065 S	*	3/2003	Tseng	D6/366
2003/0160492 A1	*	8/2003	Tsai	297/411.2

* cited by examiner

Primary Examiner—Mimosa De

(74) *Attorney, Agent, or Firm*—Morland C. Fischer

(57) **CLAIM**

The ornamental design for a chair arm, as shown and described.

DESCRIPTION

FIG. 1 is a perspective view showing the front, left side and top of a chair arm which forms my new design, the broken lines of a chair and an arm pad being for illustrative purposes only and forming no part of my design;

FIG. 2 is an enlarged left side elevational view thereof;

FIG. 3 is an enlarged top plan view thereof;

FIG. 4 is an enlarged right side elevational view thereof;

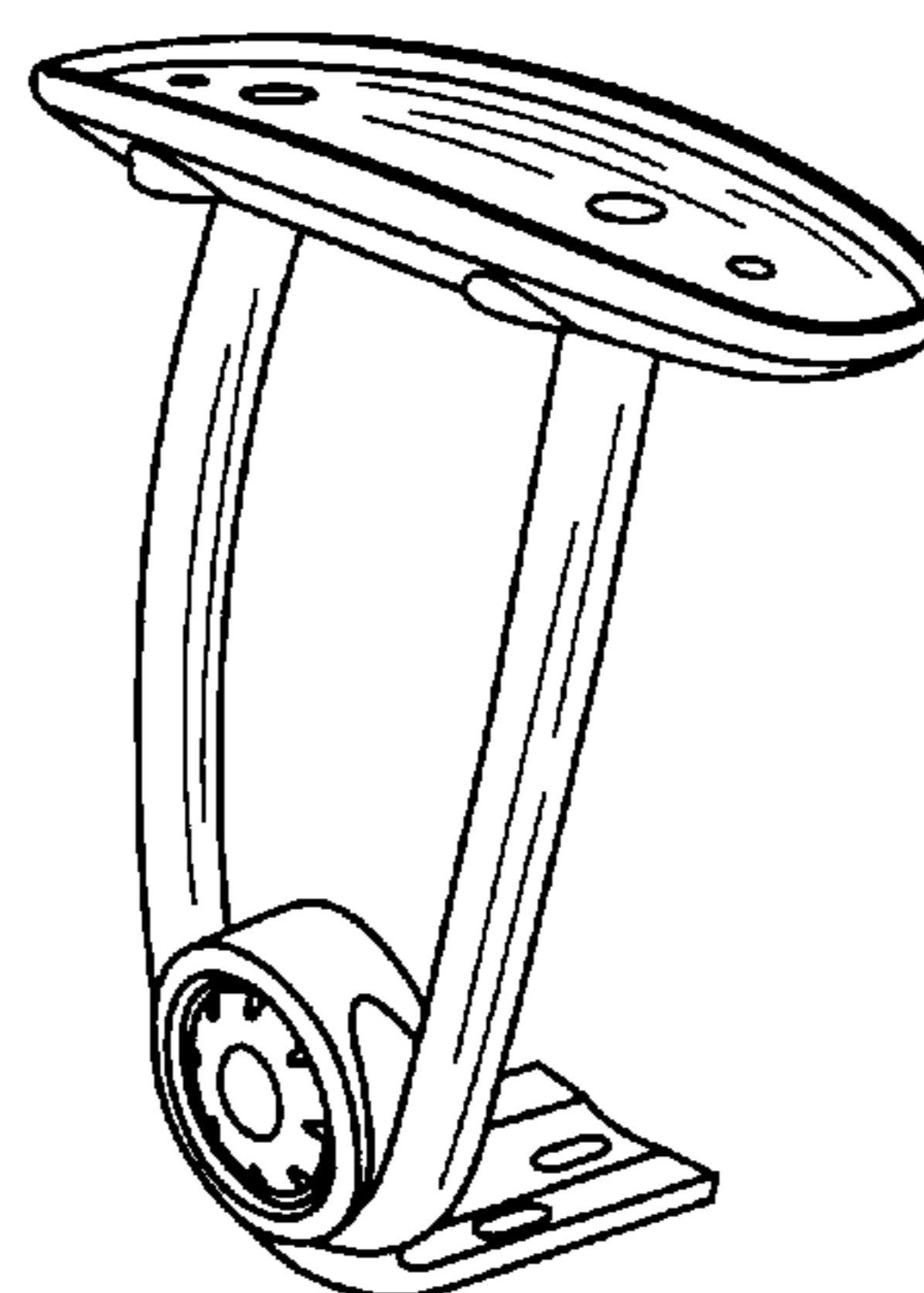
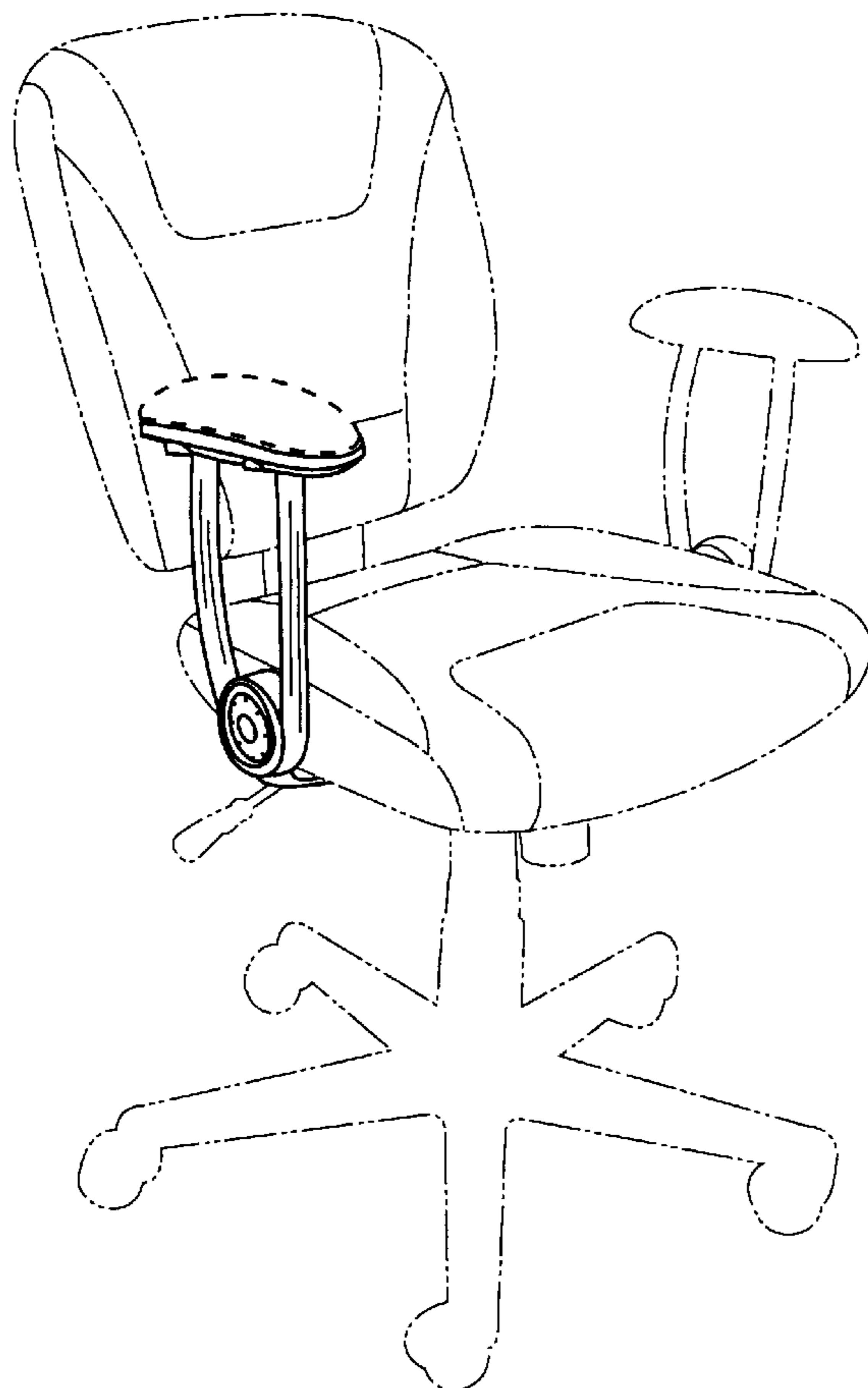
FIG. 5 is an enlarged bottom plan view thereof;

FIG. 6 is an enlarged front elevational view thereof;

FIG. 7 is an enlarged rear elevational view thereof; and,

FIG. 8 is an enlarged perspective view showing the front, left side and top thereof.

1 Claim, 4 Drawing Sheets



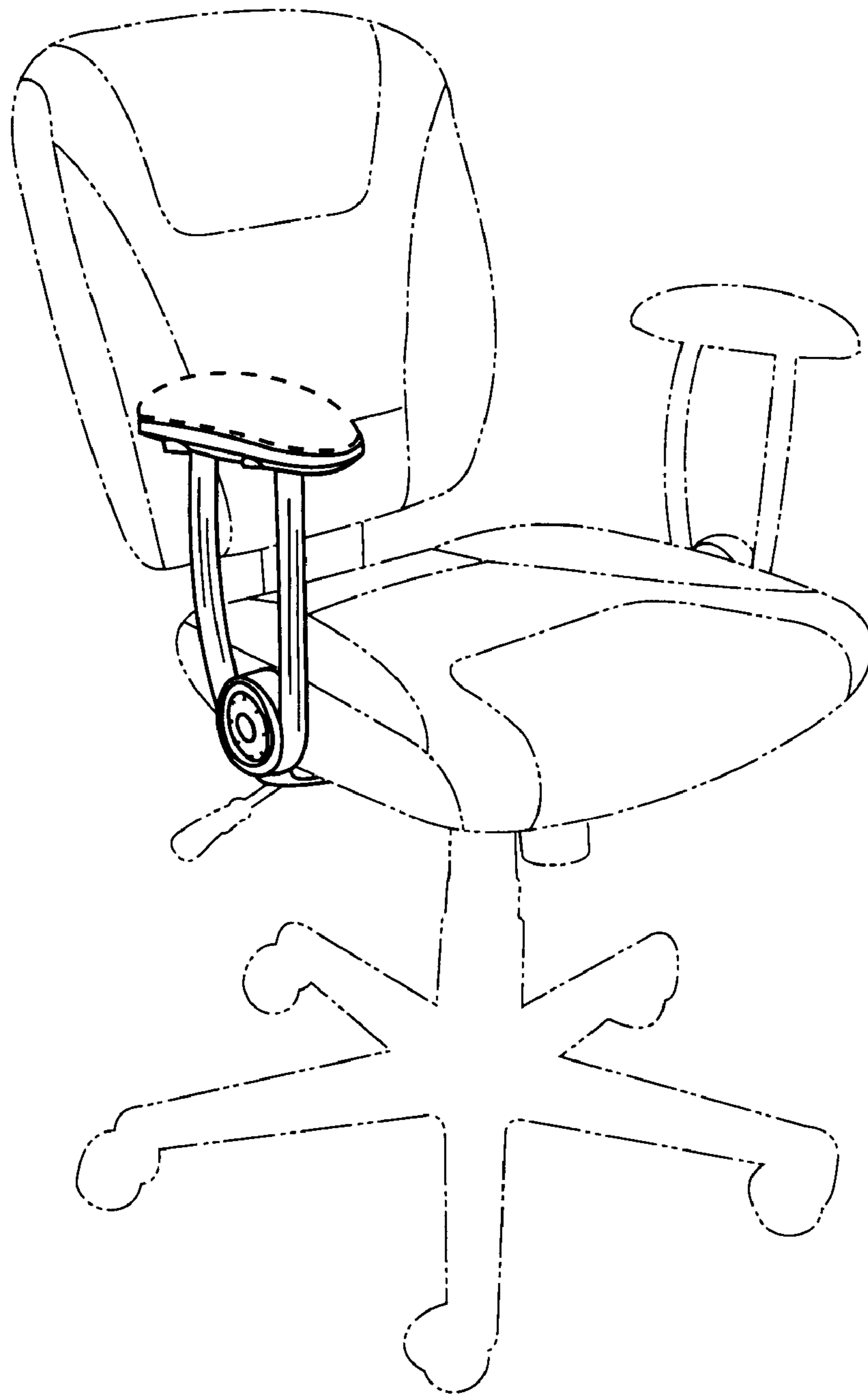


FIG. 1

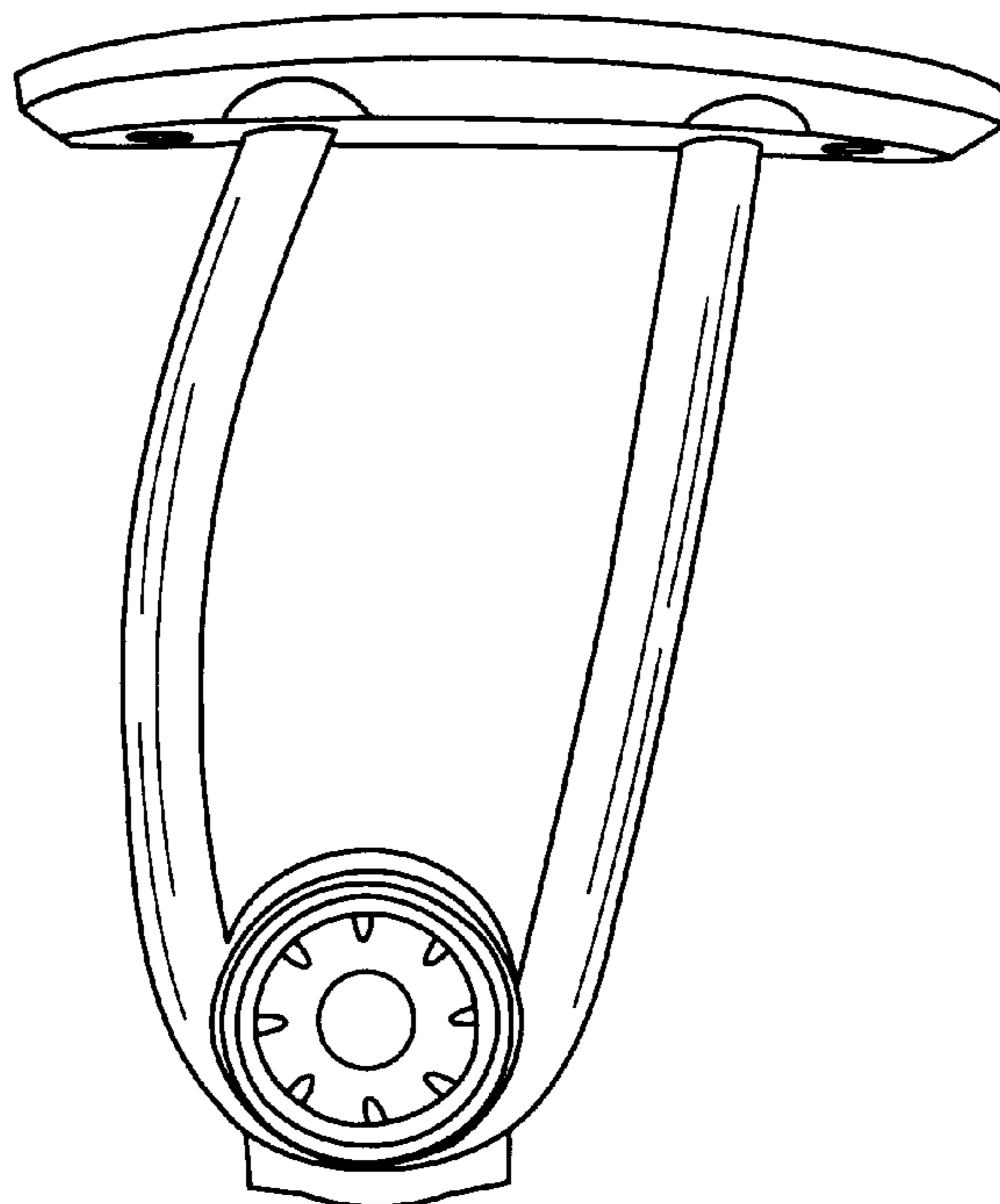


FIG. 2

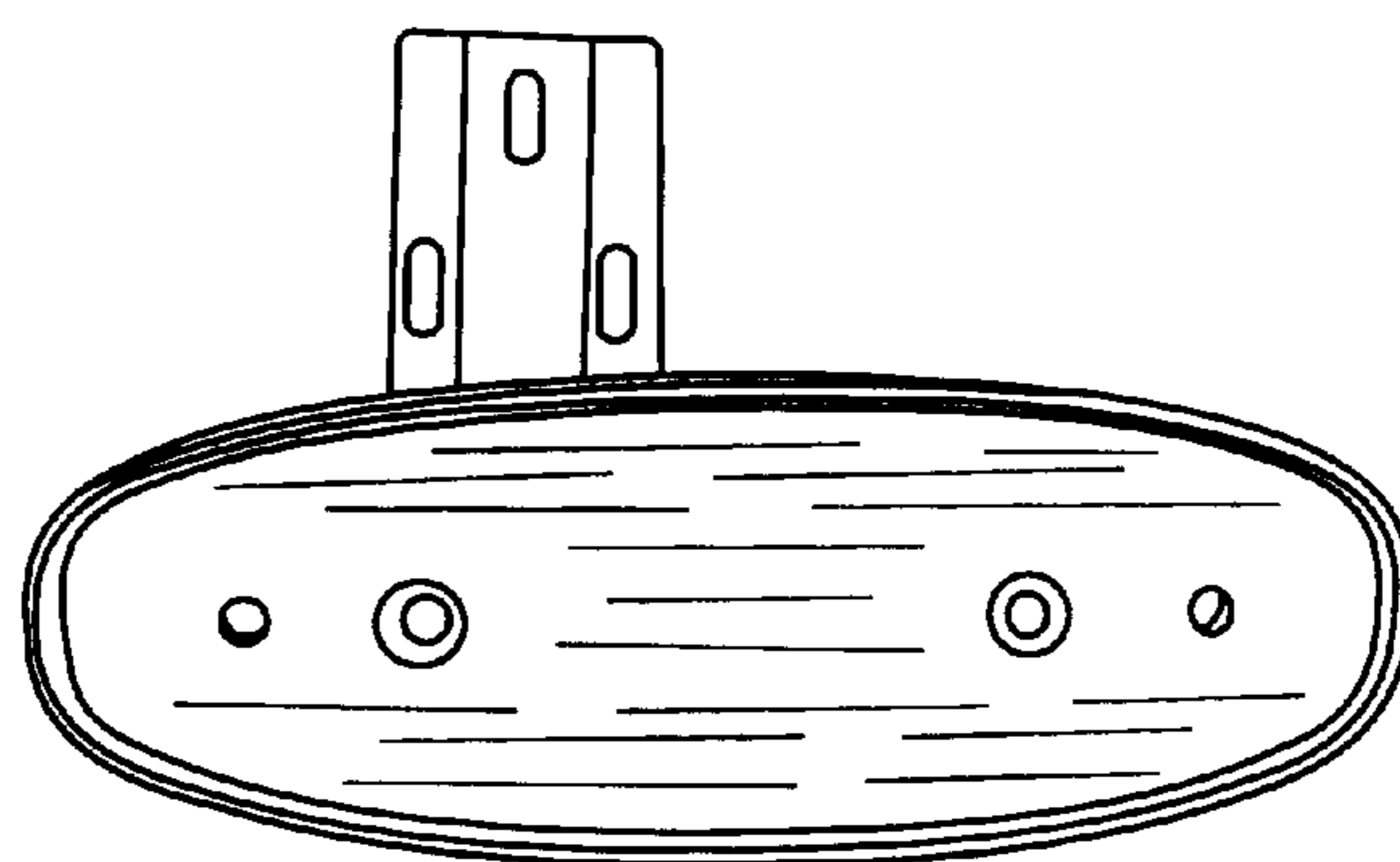


FIG. 3

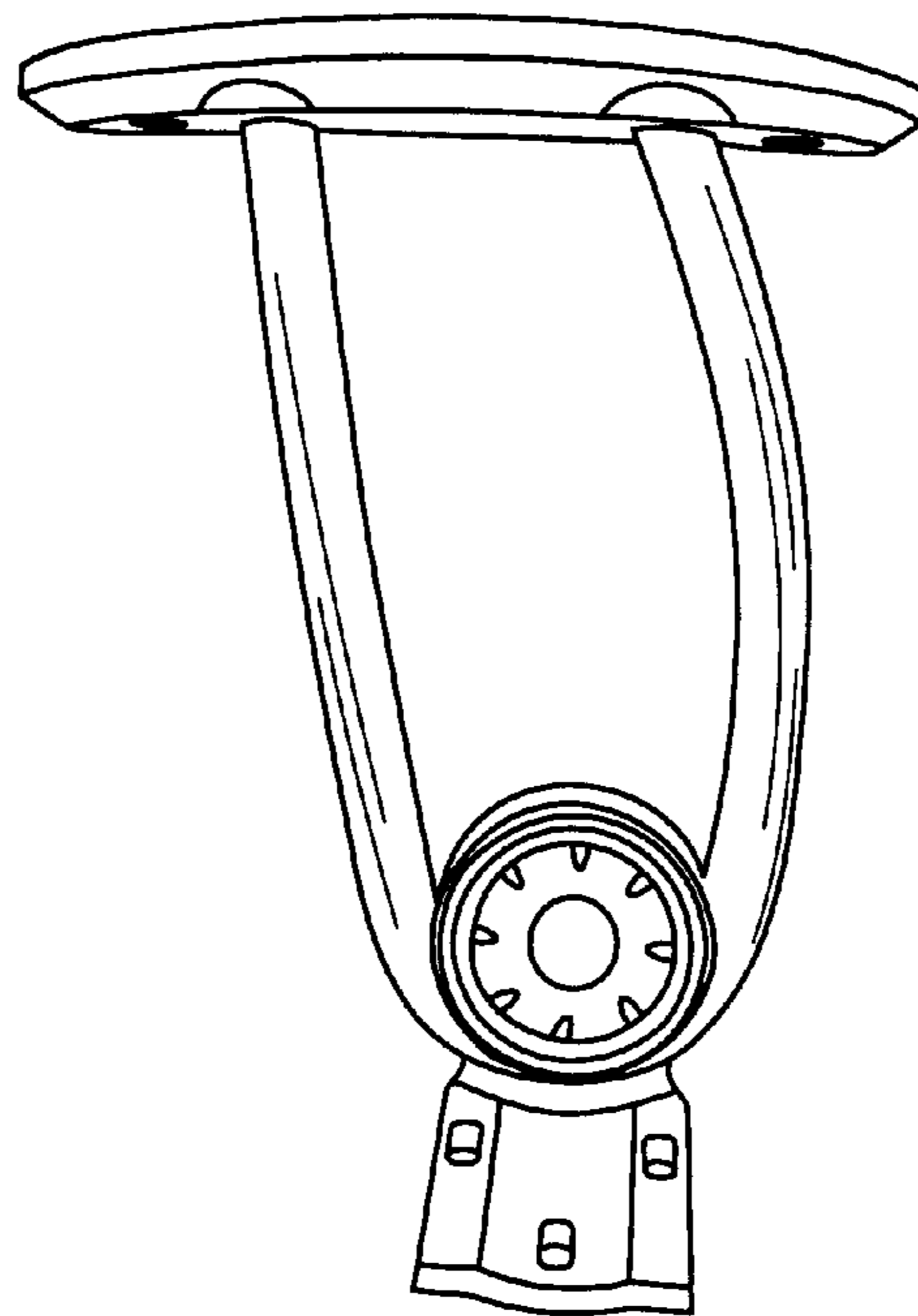


FIG. 4

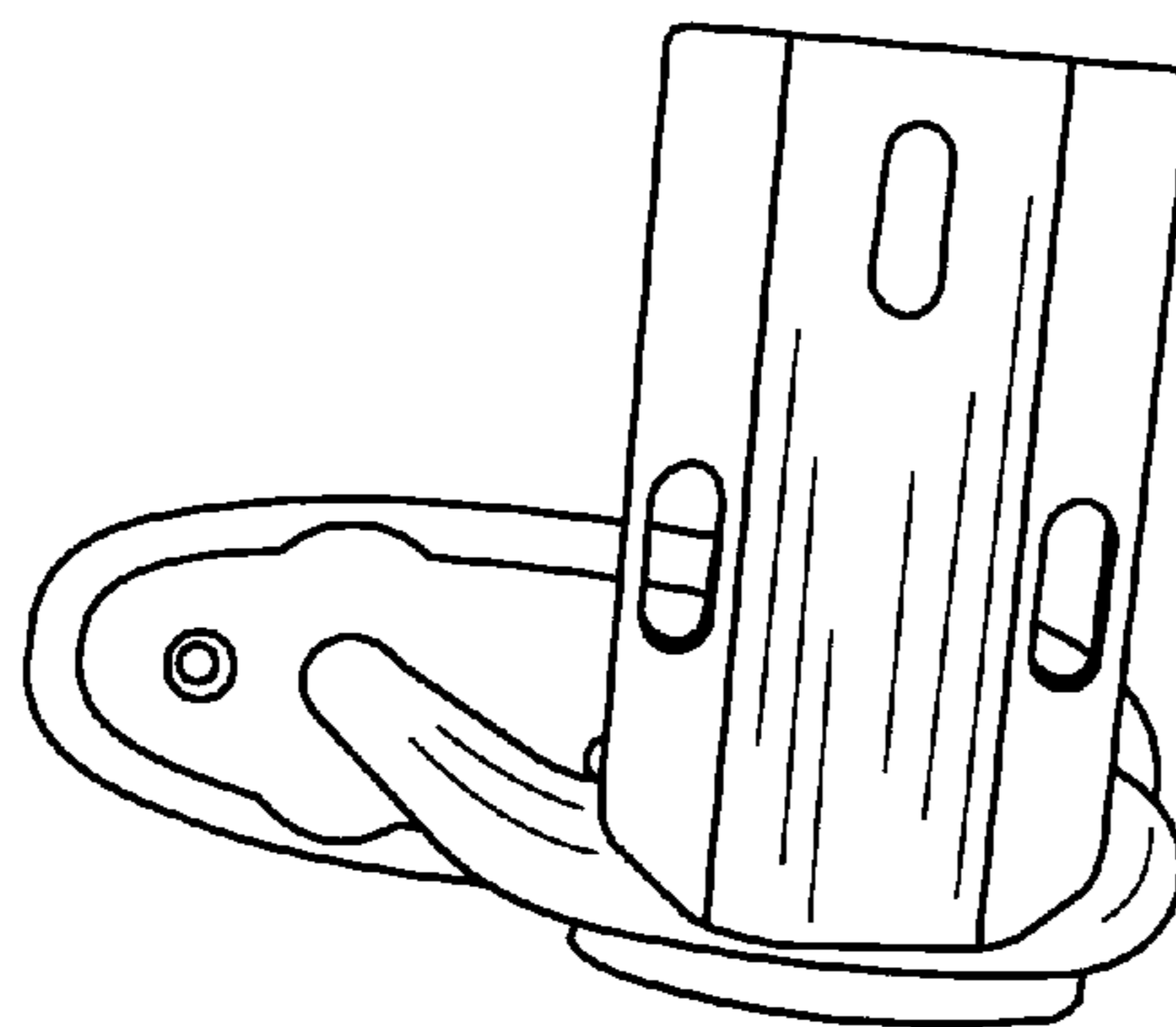


FIG. 5

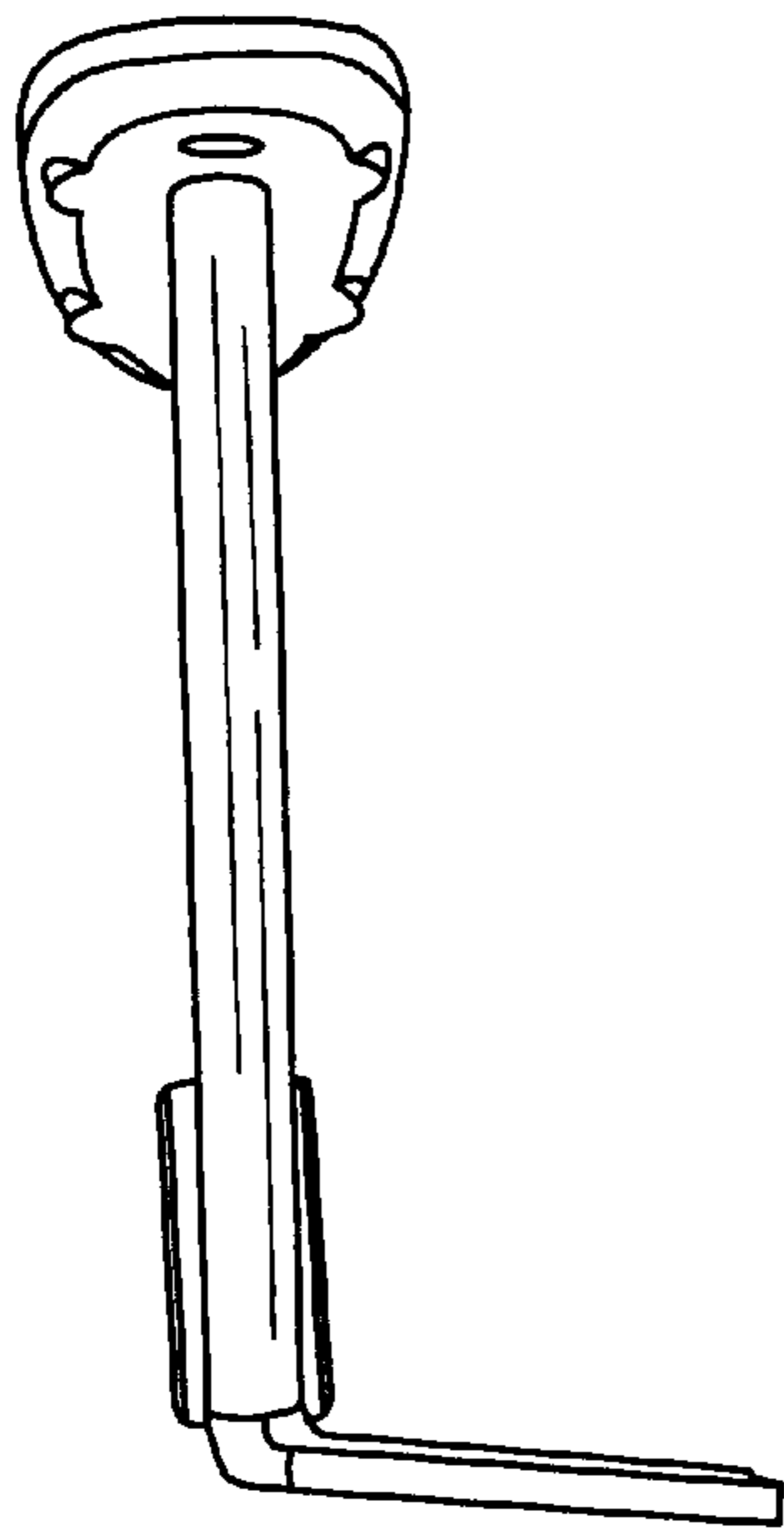


FIG. 6

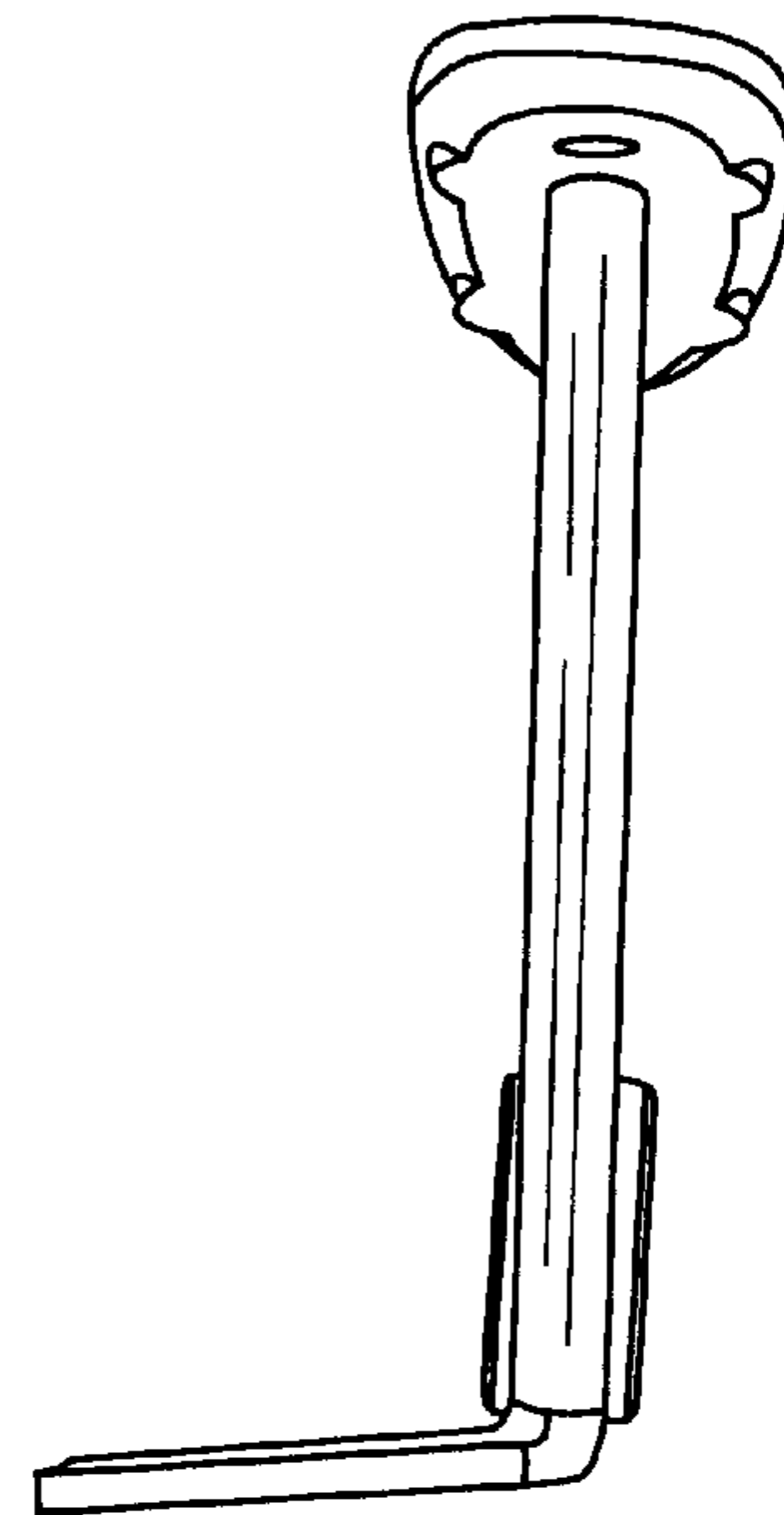


FIG. 7

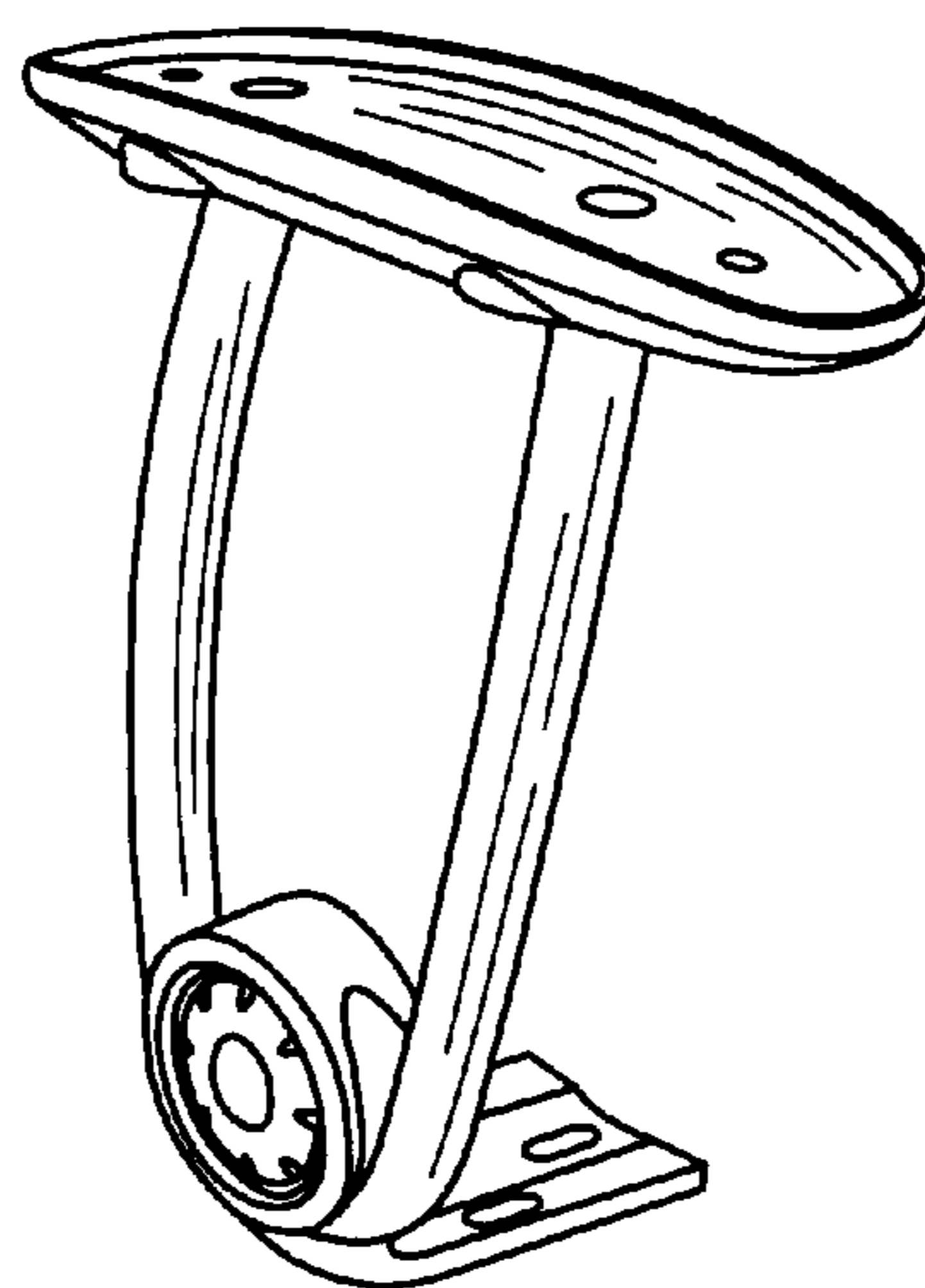


FIG. 8