



US00D538078S

(12) **United States Design Patent**
Egger

(10) **Patent No.:** **US D538,078 S**

(45) **Date of Patent:** **** Mar. 13, 2007**

(54) **CHAIR ARM FRAME**

(75) Inventor: **Julien Egger**, Santa Monica, CA (US)

(73) Assignee: **True Seating Concepts, LLC** (MU)

(**) Term: **14 Years**

(21) Appl. No.: **29/256,334**

(22) Filed: **Mar. 20, 2006**

(51) **LOC (8) Cl.** **06-06**

(52) **U.S. Cl.** **D6/501**; D6/373

(58) **Field of Classification Search** D6/334-336,
D6/371-373, 374-376, 379, 380, 500-502;
297/445.1, 447.4, 448.1, 448.2, 450.1, 451.7,
297/452.16, 452.18
See application file for complete search history.

(56) **References Cited**

U.S. PATENT DOCUMENTS

D271,447 S	*	11/1983	Snodgrass	D6/373
D271,825 S	*	12/1983	Snodgrass	D6/373
D277,908 S	*	3/1985	Liisberg	D6/373
D289,348 S	*	4/1987	Snodgrass	D6/373
D298,787 S	*	12/1988	Greene	D6/380
4,852,944 A	*	8/1989	Hartmann	297/450.1
D309,223 S	*	7/1990	Lubke	D6/373

D320,895 S	*	10/1991	Frinier	D6/373
D337,447 S	*	7/1993	Fahnstrom et al.	D6/379
D342,839 S	*	1/1994	Olson	D6/373
D343,963 S	*	2/1994	Hess	D6/373
5,318,348 A	*	6/1994	Hess	297/452.16
D358,721 S	*	5/1995	Hess	D6/379

* cited by examiner

Primary Examiner—Mimosa De

(74) *Attorney, Agent, or Firm*—Morland C. Fischer

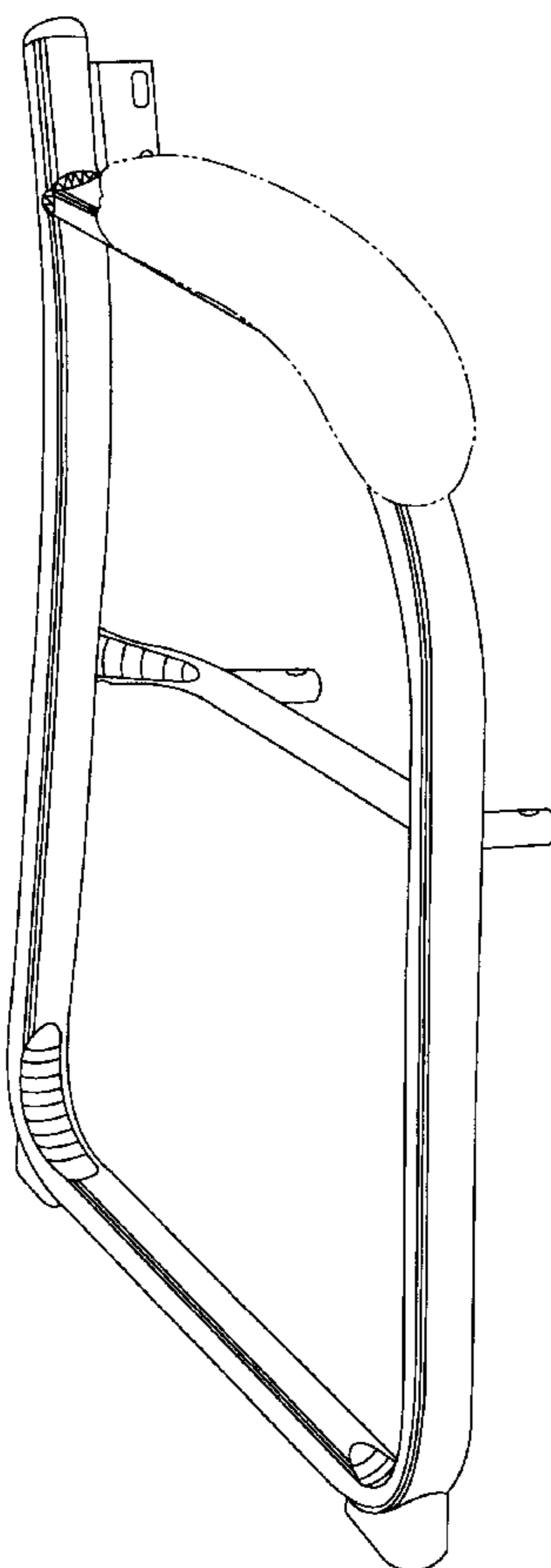
(57) **CLAIM**

The ornamental design for a chair arm frame, as shown and described.

DESCRIPTION

FIG. 1 is a perspective view showing the top, left side and front of a chair arm frame which forms my new design, the broken lines of an arm pad in this and other figures being for illustrative purposes only and forming no part of my design; FIG. 2 is a right side elevational view thereof; FIG. 3 is a left side elevational view thereof; FIG. 4 is a top plan view thereof; FIG. 5 is a bottom plan view thereof; and FIG. 6 is a front elevational view thereof; and, FIG. 7 is a rear elevational view thereof.

1 Claim, 5 Drawing Sheets



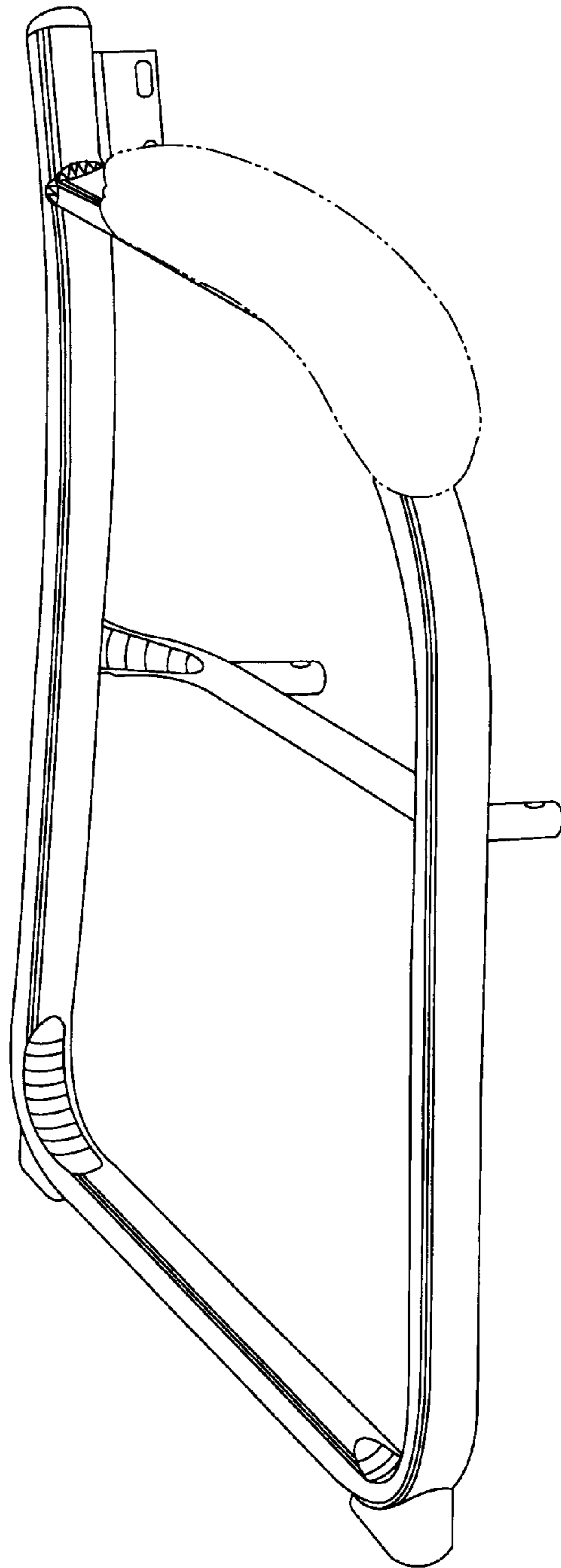


FIG. 1

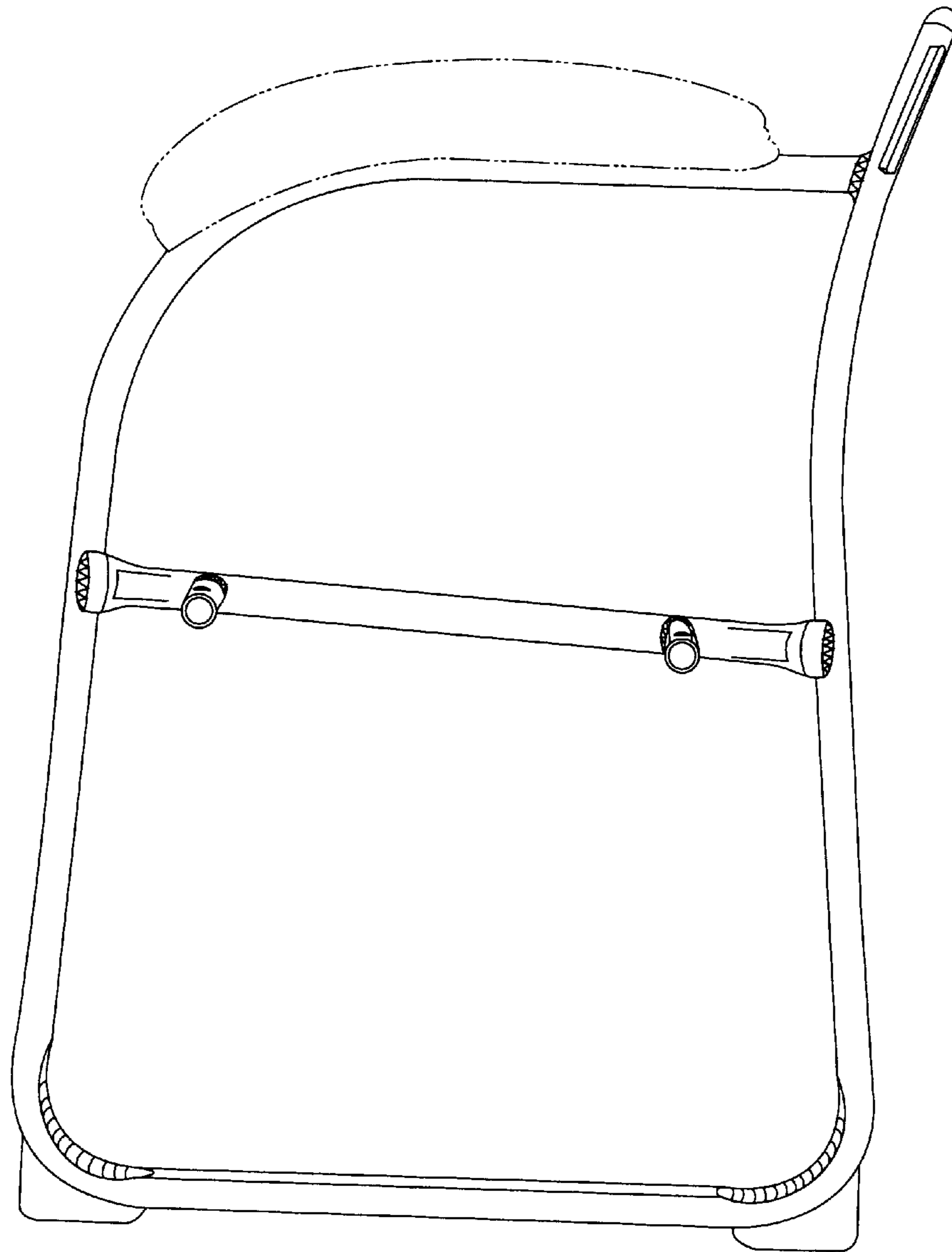


FIG. 2

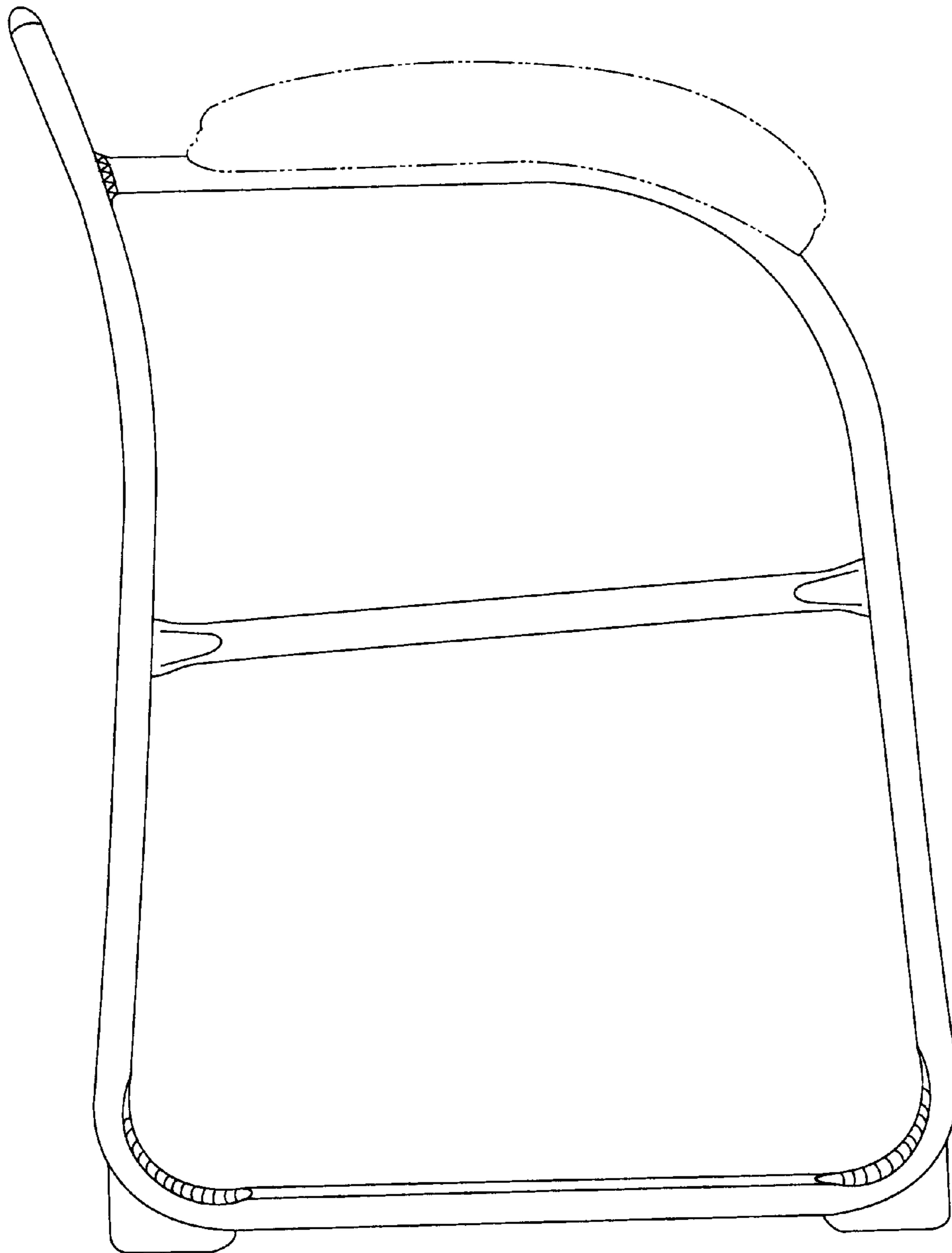


FIG. 3

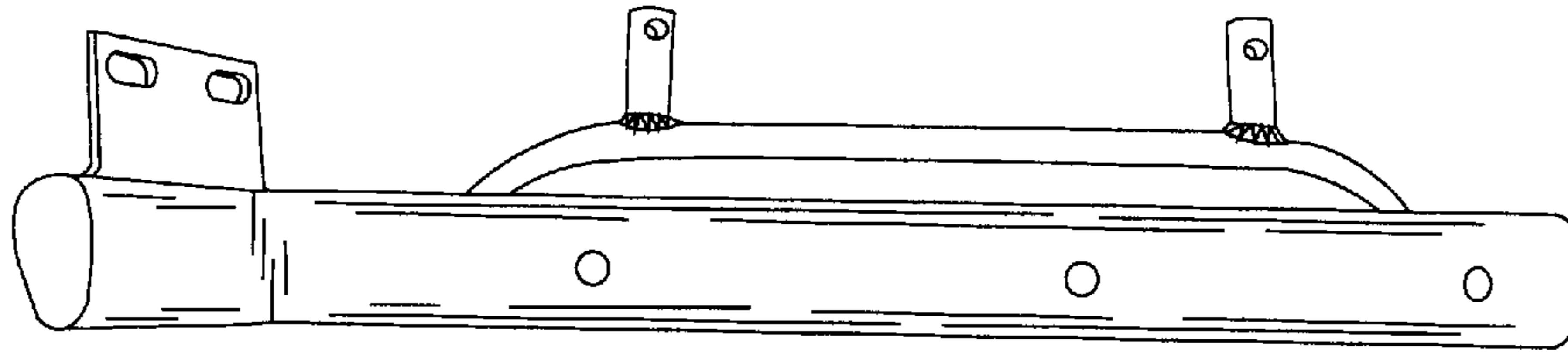


FIG. 4

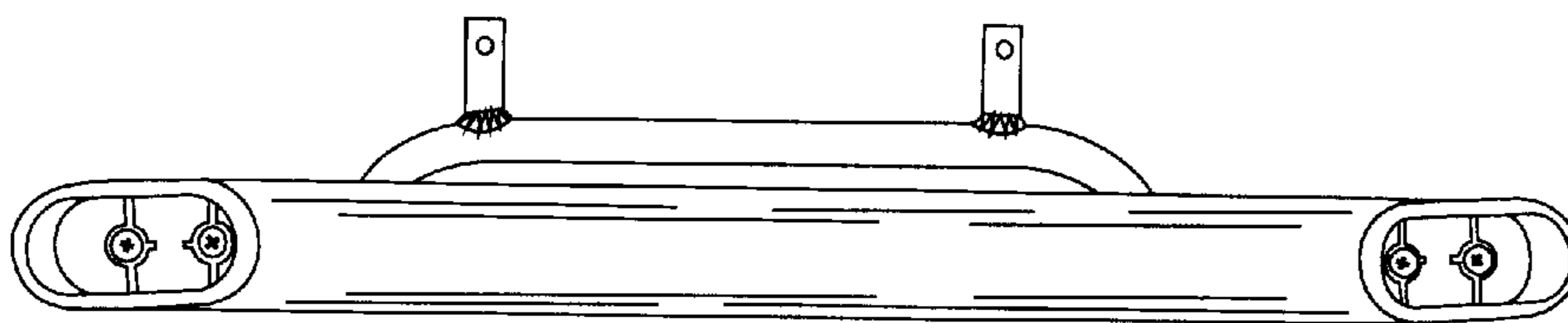


FIG. 5

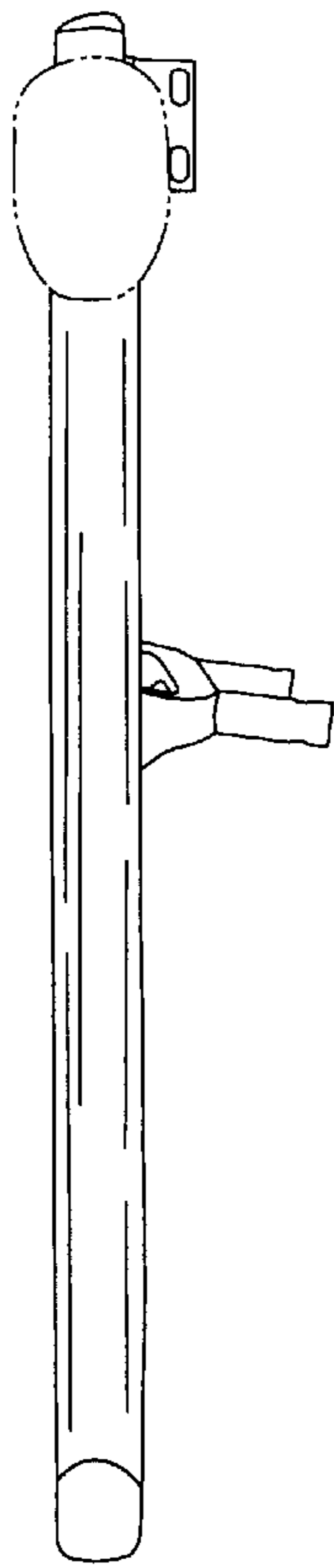


FIG. 6

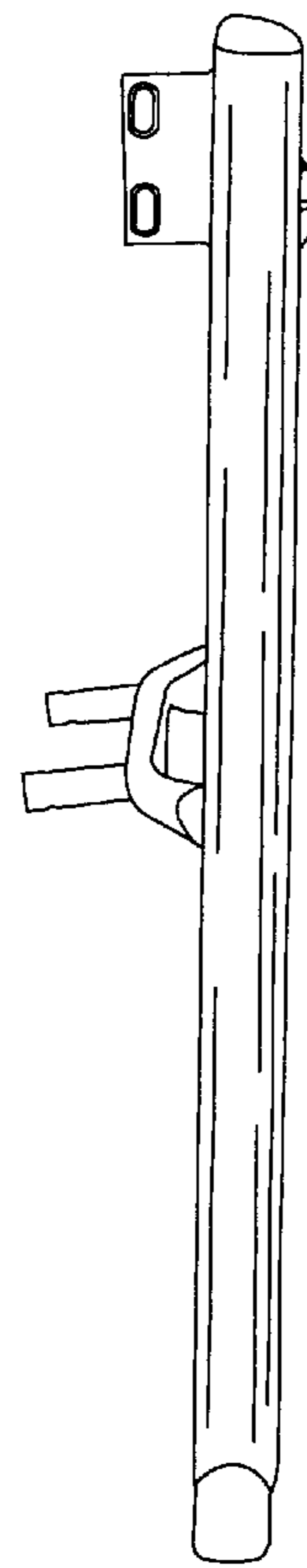


FIG. 7