



US00D538070S

(12) **United States Design Patent**  
**Hutton**

(10) **Patent No.:** **US D538,070 S**

(45) **Date of Patent:** **\*\* Mar. 13, 2007**

(54) **SEAT ARMS**

D504,781 S \* 5/2005 Suzuki et al. .... D6/334  
D506,323 S \* 6/2005 White, III ..... D6/334

(75) Inventor: **Jennifer Hutton**, New York, NY (US)

(73) Assignee: **Donghia, Inc.**, New York, NY (US)

(\*\*) Term: **14 Years**

(21) Appl. No.: **29/224,928**

(22) Filed: **Mar. 8, 2005**

(51) **LOC (8) Cl.** ..... **06-01**

(52) **U.S. Cl.** ..... **D6/495**

(58) **Field of Classification Search** ..... D6/334,  
D6/335, 349, 358, 353, 356, 360, 377, 364-366,  
D6/368-370, 379-381, 500-502, 492, 495;  
297/16.1, 68, 452.1, 452.2, 461, 118; D11/149;  
5/12.1, 653, 655.3

See application file for complete search history.

(56) **References Cited**

**U.S. PATENT DOCUMENTS**

D373,257 S \* 9/1996 Hutton ..... D6/381  
D379,269 S \* 5/1997 Hutton ..... D6/334  
D431,117 S \* 9/2000 Hutton ..... D6/334  
D466,312 S \* 12/2002 Hutton ..... D6/334  
D486,652 S \* 2/2004 Nemeth ..... D6/334  
D491,756 S \* 6/2004 Nemeth ..... D6/492  
D502,818 S \* 3/2005 Thompson ..... D6/373

**OTHER PUBLICATIONS**

U.S. Design Patent Application for SEAT, Filed same day as instant application; U.S. Appl. No. 29/224,911, Mar. 8, 2006.

\* cited by examiner

*Primary Examiner*—Sandra S. Snapp

(74) *Attorney, Agent, or Firm*—Heslin Rothenberg Farley & Mesiti P.C.

(57) **CLAIM**

The ornamental design for the seat arms, as shown and described.

**DESCRIPTION**

FIG. 1 is a perspective view of a seat arms comprising the new design;

FIG. 2 is a top view thereof;

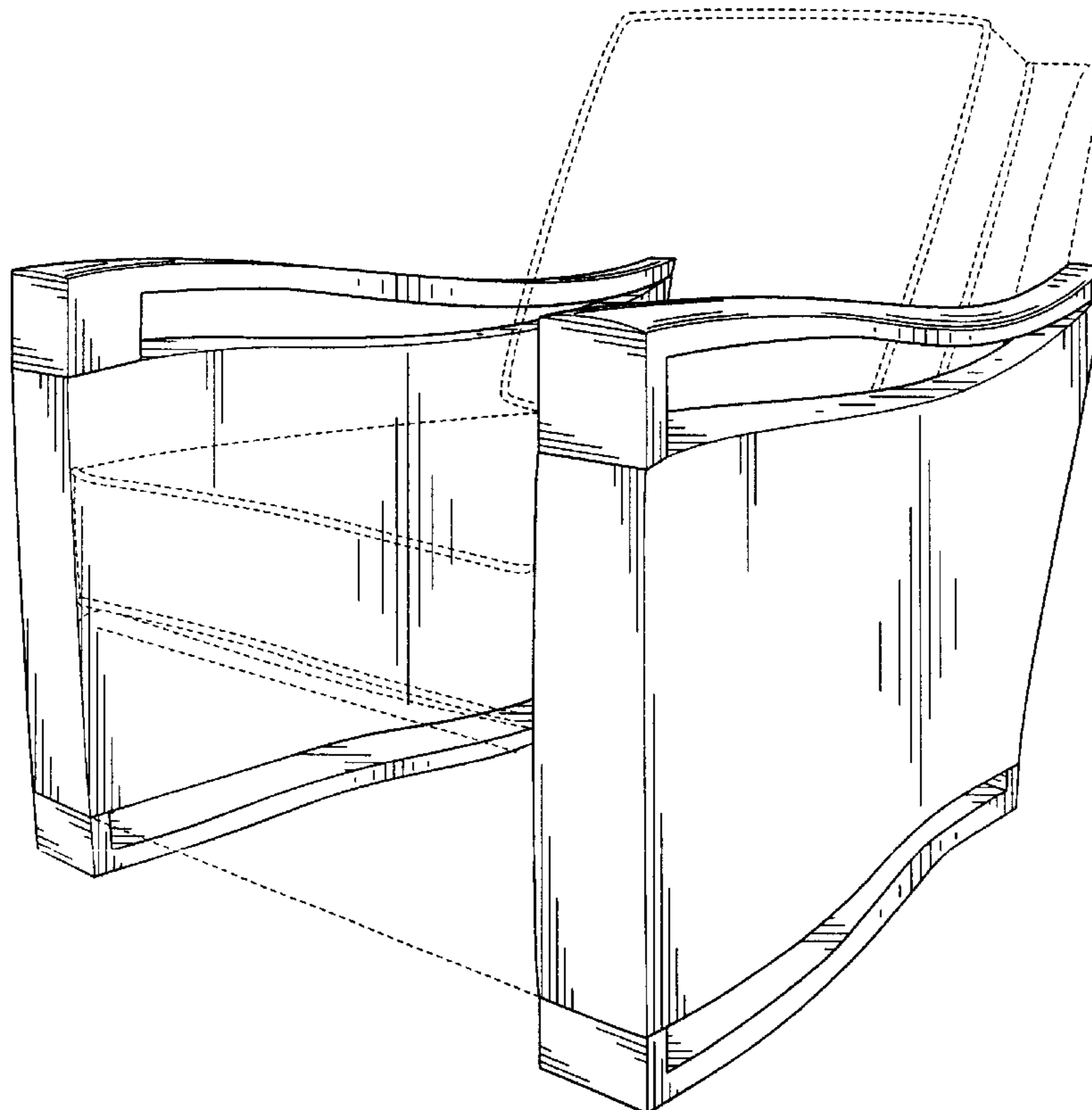
FIG. 3 is a front view thereof;

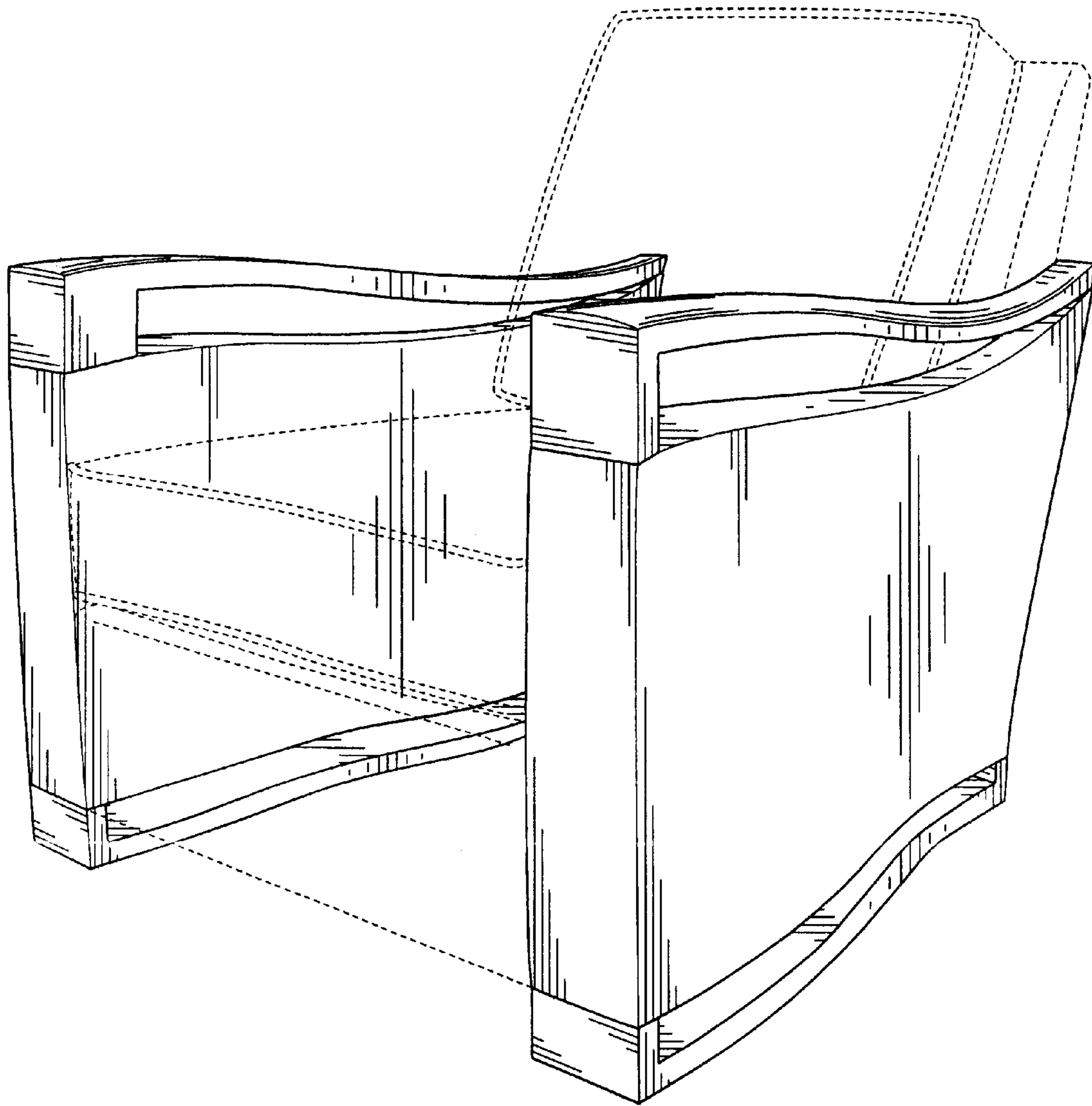
FIG. 4 is a right side view thereof, where the left side is a mirror image thereof; and,

FIG. 5 is a rear view thereof.

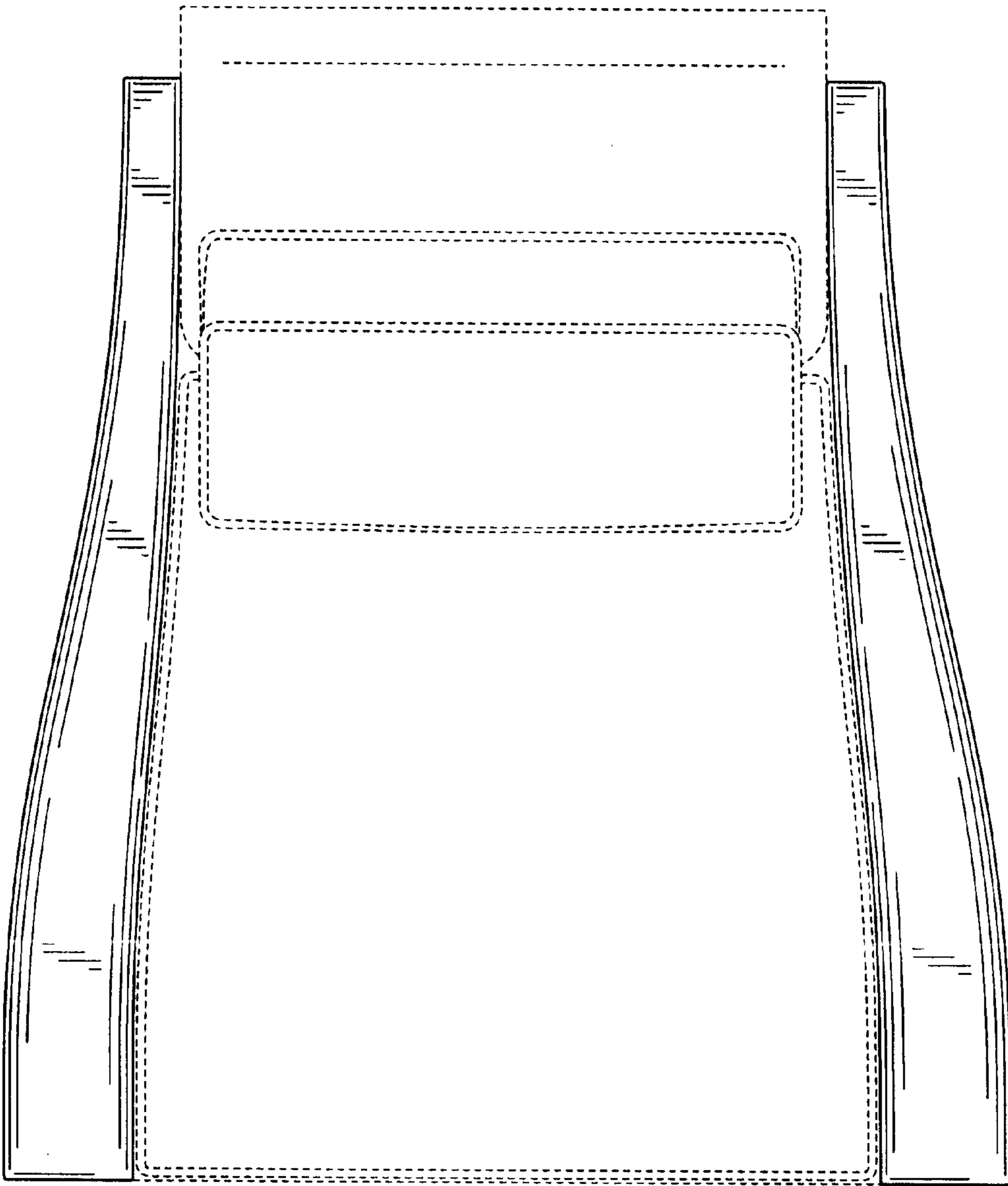
The broken lines in the figures are for illustrative purposes only and form no part of the claimed design.

**1 Claim, 5 Drawing Sheets**

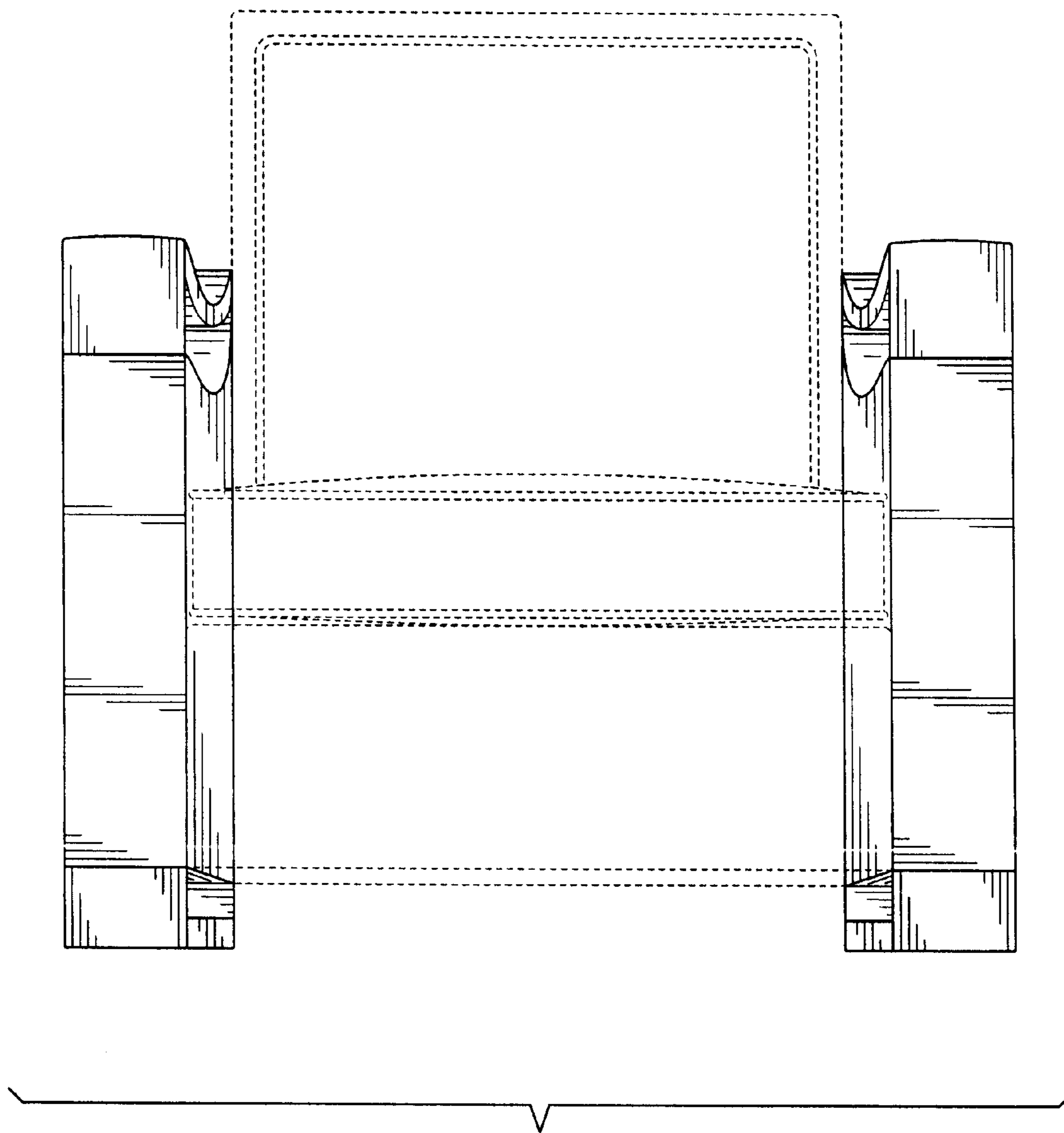




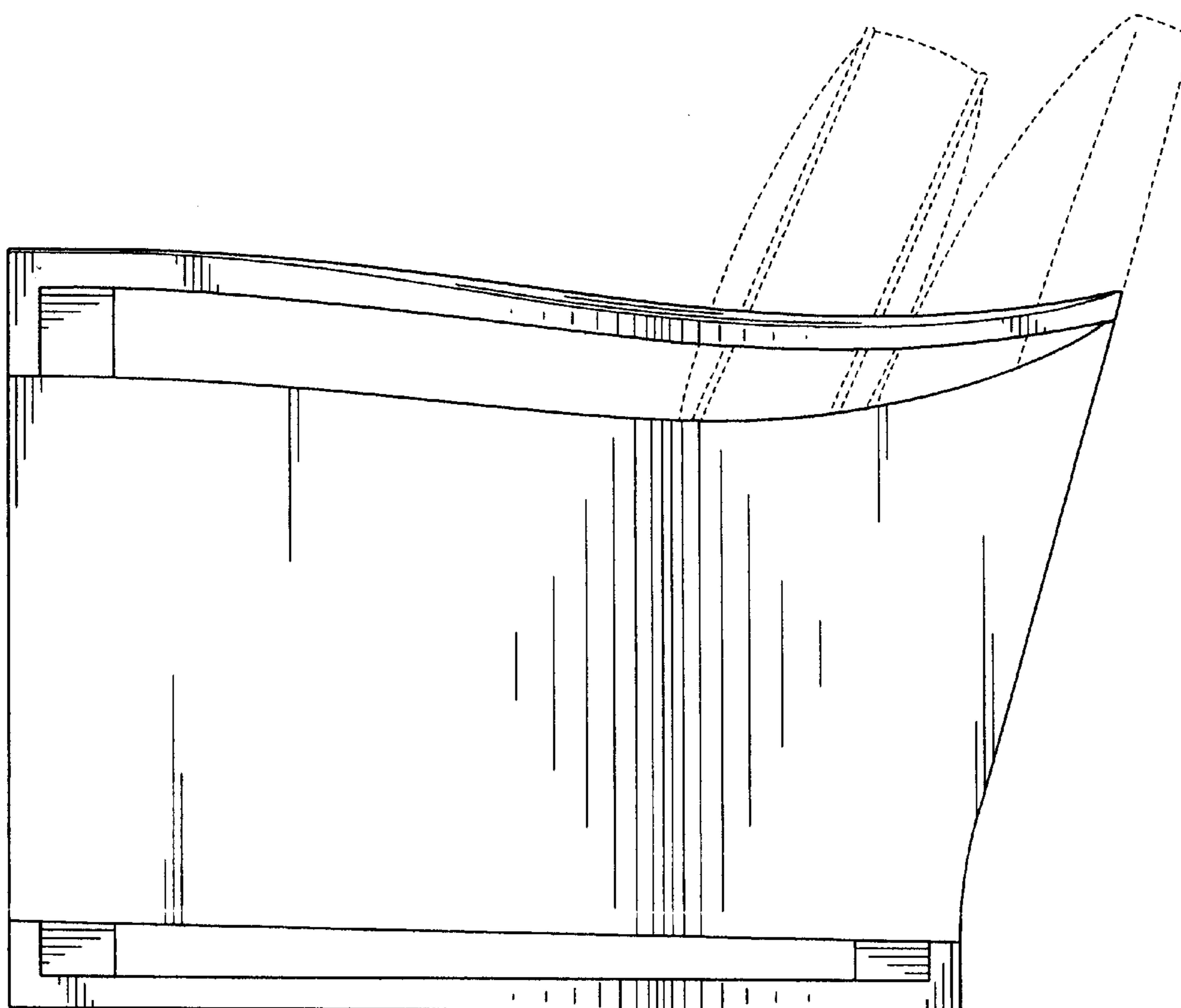
**FIG. 1**



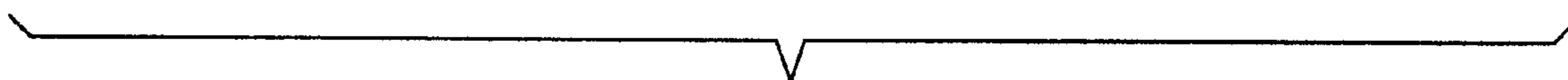
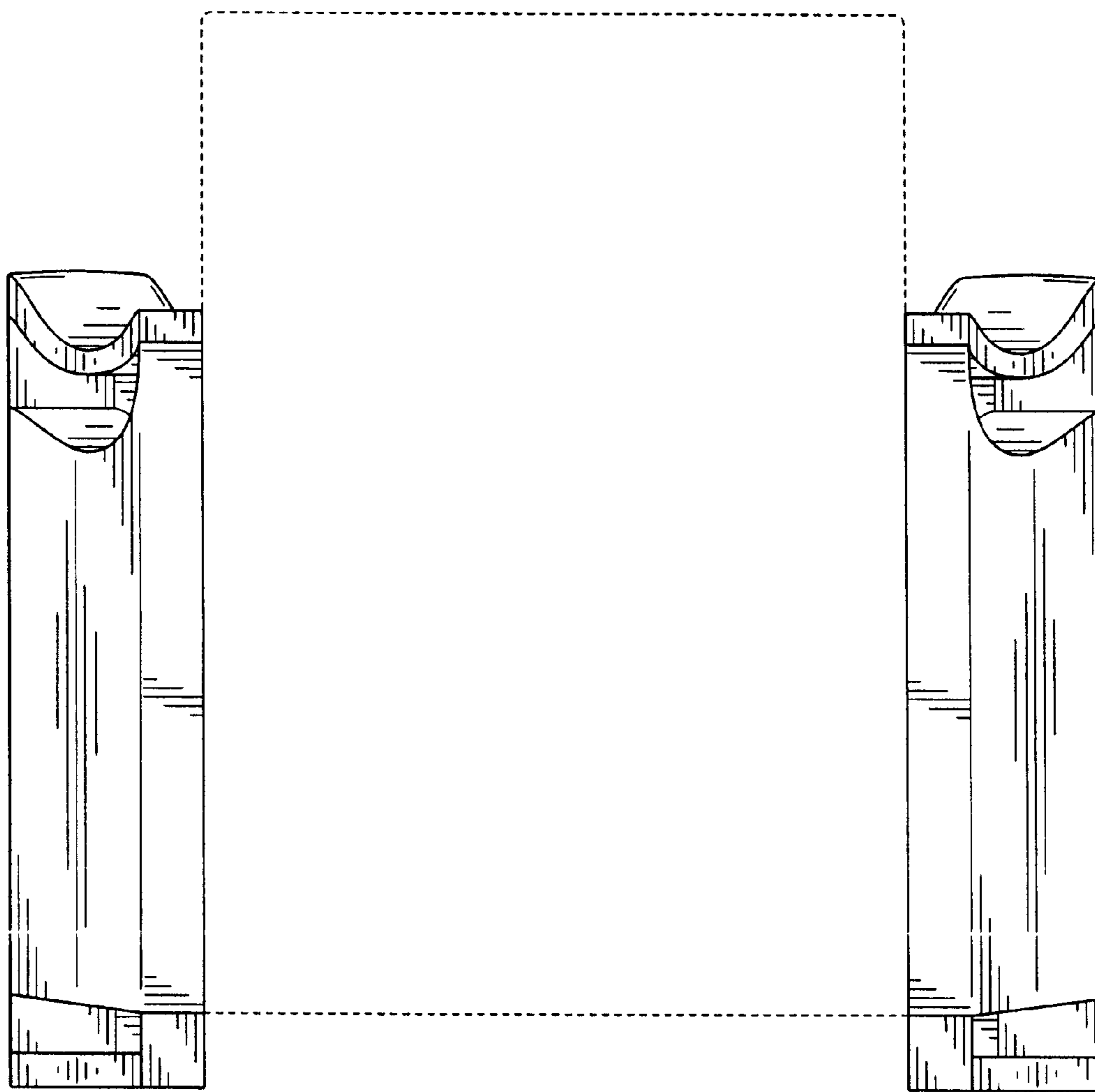
**FIG. 2**



**FIG. 3**



**FIG. 4**



**FIG. 5**