



US00D538065S

(12) **United States Design Patent**  
**Benson**

(10) **Patent No.:** **US D538,065 S**  
(45) **Date of Patent:** **\*\* Mar. 13, 2007**

(54) **BUFFET RACK**

5,103,799 A \* 4/1992 Atanasio ..... 126/9 R

(75) Inventor: **Kenneth Benson**, Southbury, CT (US)

\* cited by examiner

(73) Assignee: **Brand Design Source LLC**, Essex, CT (US)

*Primary Examiner*—Caron D. Veynar

*Assistant Examiner*—Sydney R. Buffalow

(\*\*) Term: **14 Years**

(74) *Attorney, Agent, or Firm*—St. Onge Steward Johnston & Reens LLC

(21) Appl. No.: **29/255,669**

(57) **CLAIM**

(22) Filed: **Mar. 10, 2006**

The ornamental design for “buffet rack,” as shown and described.

(51) **LOC (8) Cl.** ..... **06-04**

**DESCRIPTION**

(52) **U.S. Cl.** ..... **D6/462**

(58) **Field of Classification Search** ..... D6/462,  
D6/449, 463, 466, 467, 468, 475, 476; D19/90–92;  
D7/409, 504, 323, 419, 422; 99/324, 419;  
211/85.4

FIG. 1 is a front perspective view of a buffet rack in a standing position in accordance with the new design; FIG. 2 is a front view of the buffet rack of FIG. 1, in the standing position; FIG. 3 is a rear view of the buffet rack of FIG. 1, in the standing position; FIG. 4 is a left side view of the buffet rack of FIG. 1, in the standing position; FIG. 5 is a right side view of the buffet rack of FIG. 1, in the standing position; FIG. 6 is a bottom view of the buffet rack of FIG. 1, in the standing position; FIG. 7 is a top view of the buffet rack of FIG. 1, in the standing position; and, FIG. 8 is a perspective view of the buffet rack of FIG. 1; in a folded position. The two supports present in FIGS. 1–7 have been removed for the convenience of illustration.

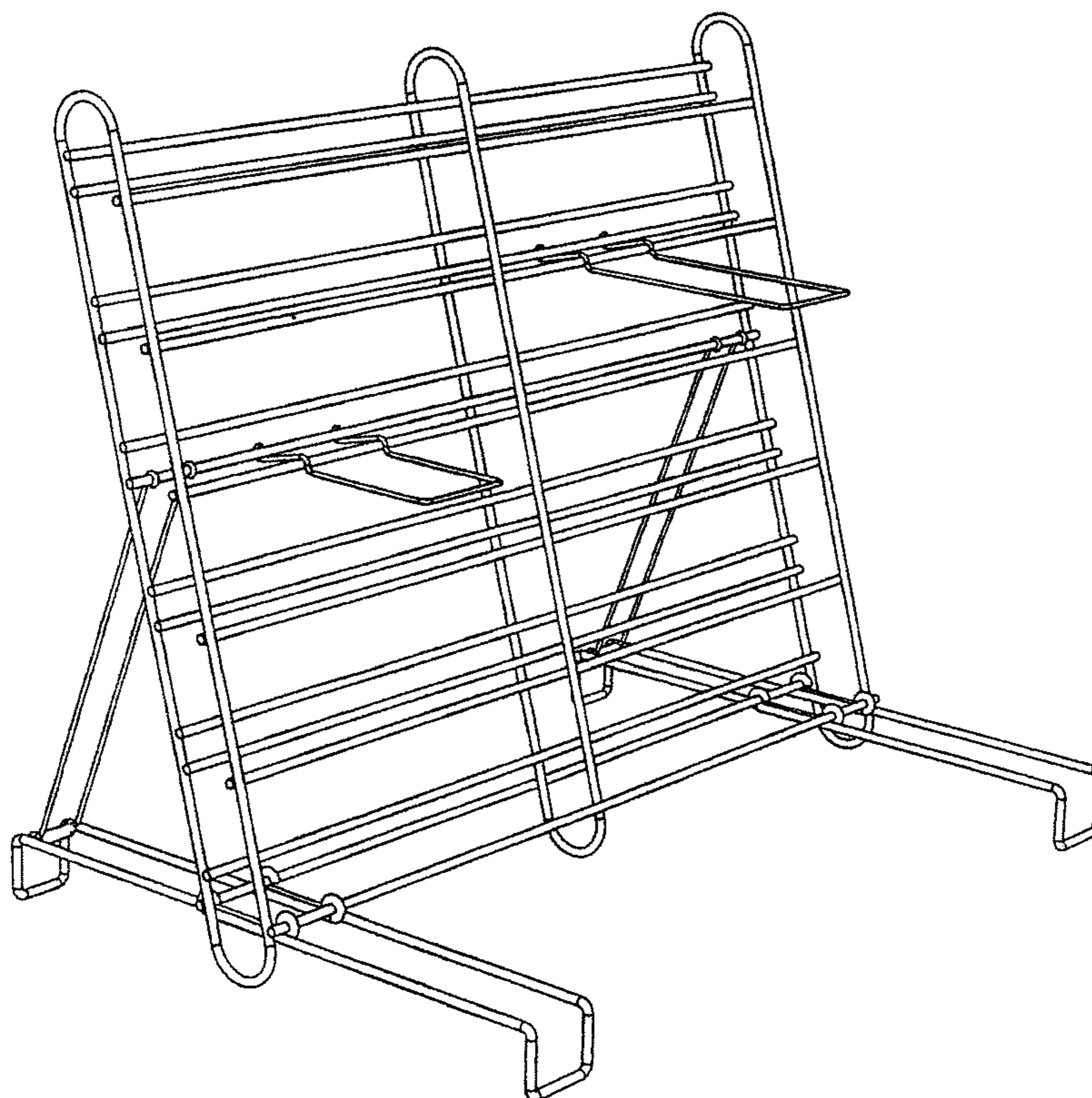
See application file for complete search history.

(56) **References Cited**

U.S. PATENT DOCUMENTS

815,480	A	*	3/1906	Silver	.....	248/455
1,419,007	A	*	6/1922	Barrett	.....	211/198
D177,621	S	*	5/1956	Gallagher	.....	D6/463
D199,570	S	*	11/1964	Van Dusen	.....	D6/411
3,172,539	A	*	3/1965	Rulf	.....	211/59.1
3,394,818	A	*	7/1968	Bernie et al.	.....	211/104
D247,532	S	*	3/1978	Tenney	.....	D6/465
D273,256	S	*	4/1984	Marcus	.....	D6/462
5,038,943	A	*	8/1991	Reinke	.....	211/59.1

**1 Claim, 8 Drawing Sheets**



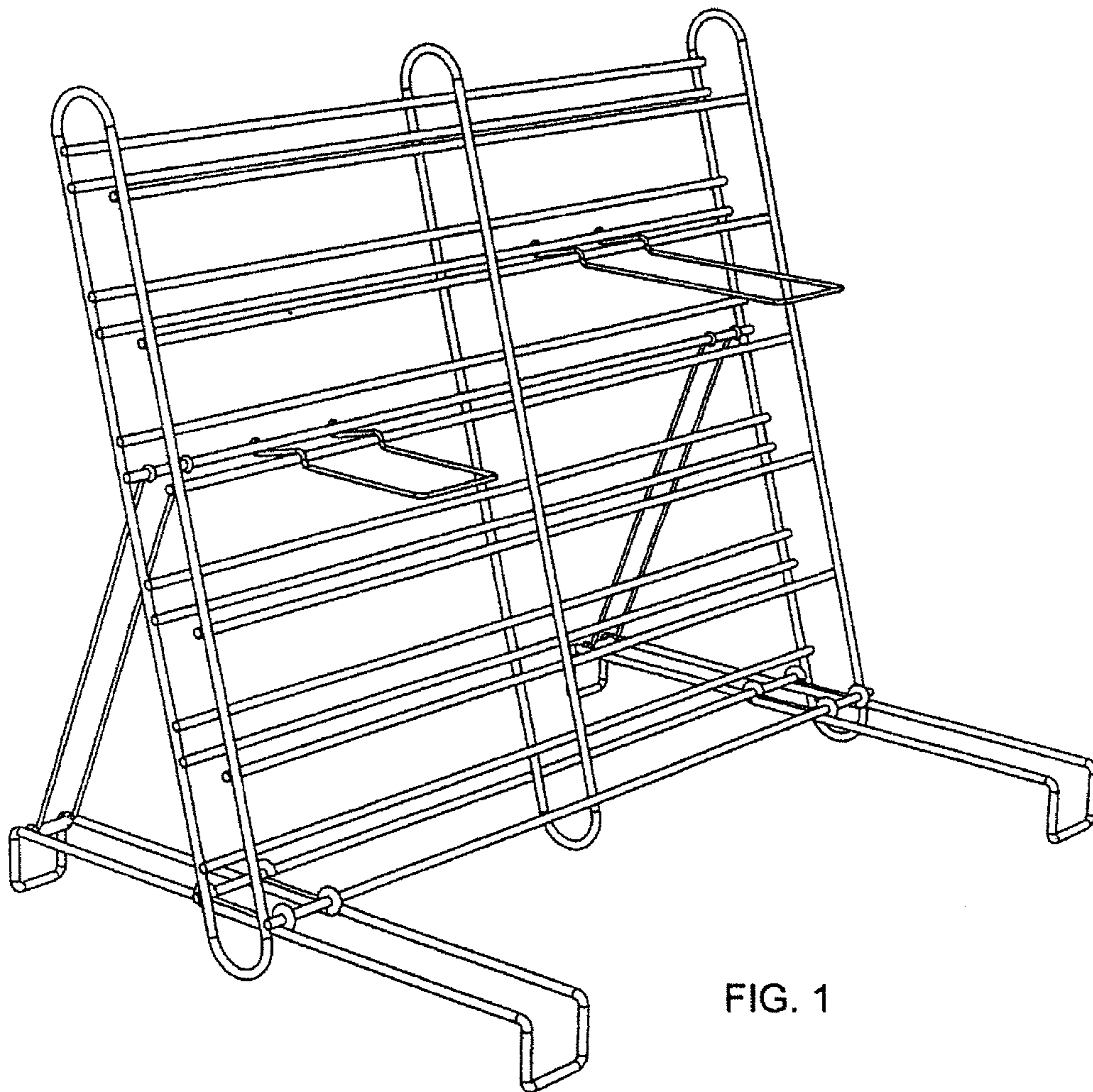


FIG. 1

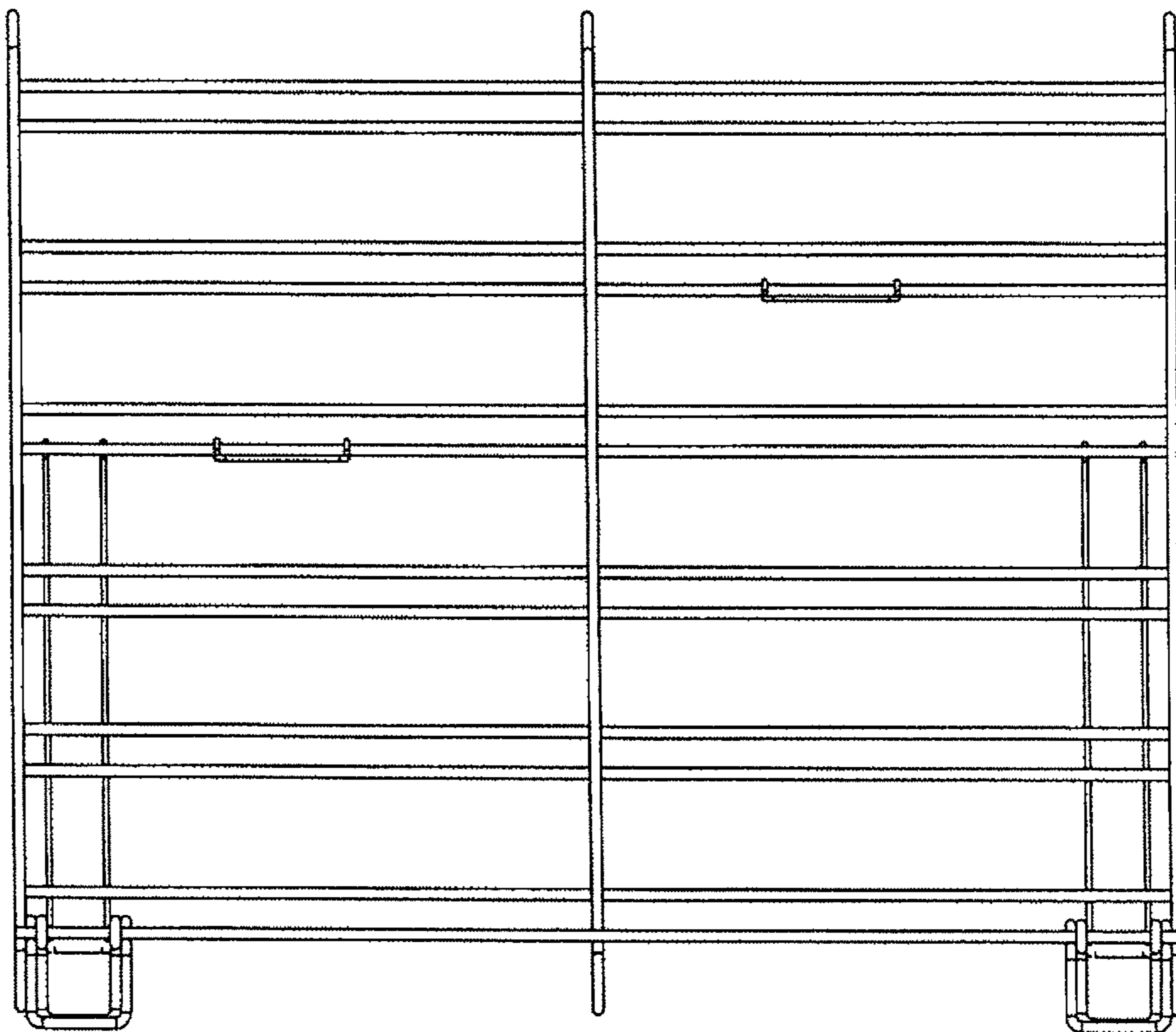


FIG. 2

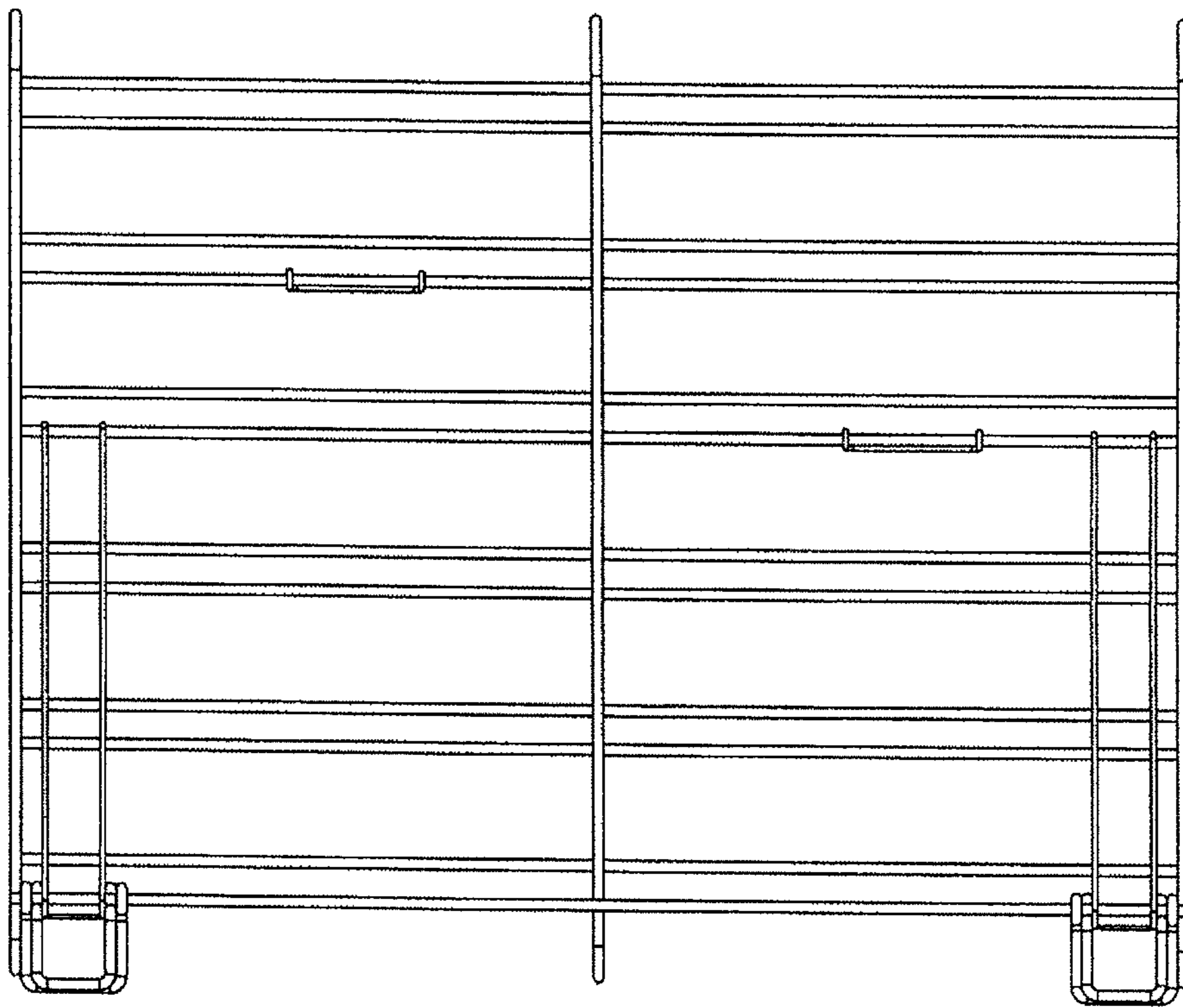


FIG. 3

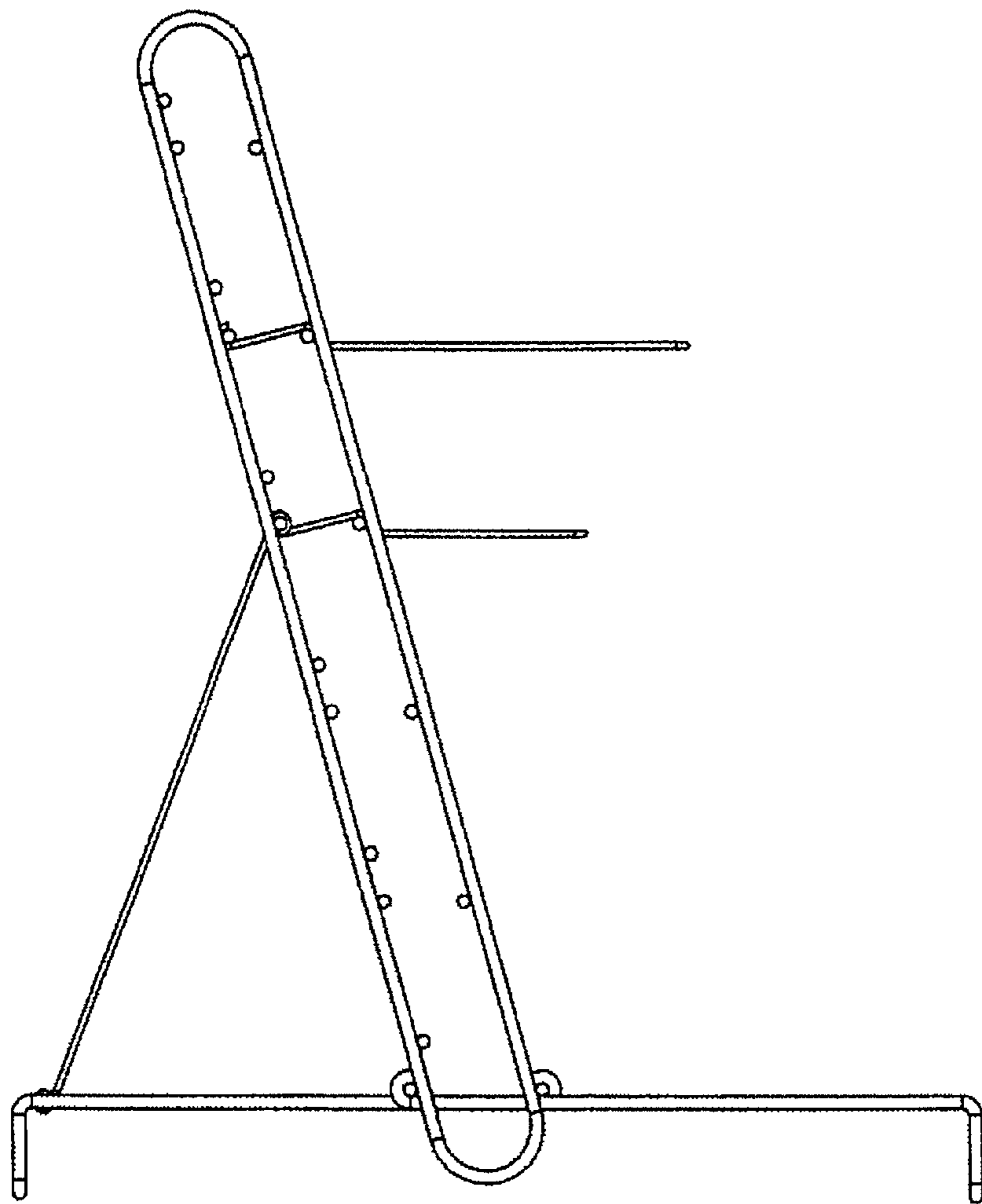


FIG. 4

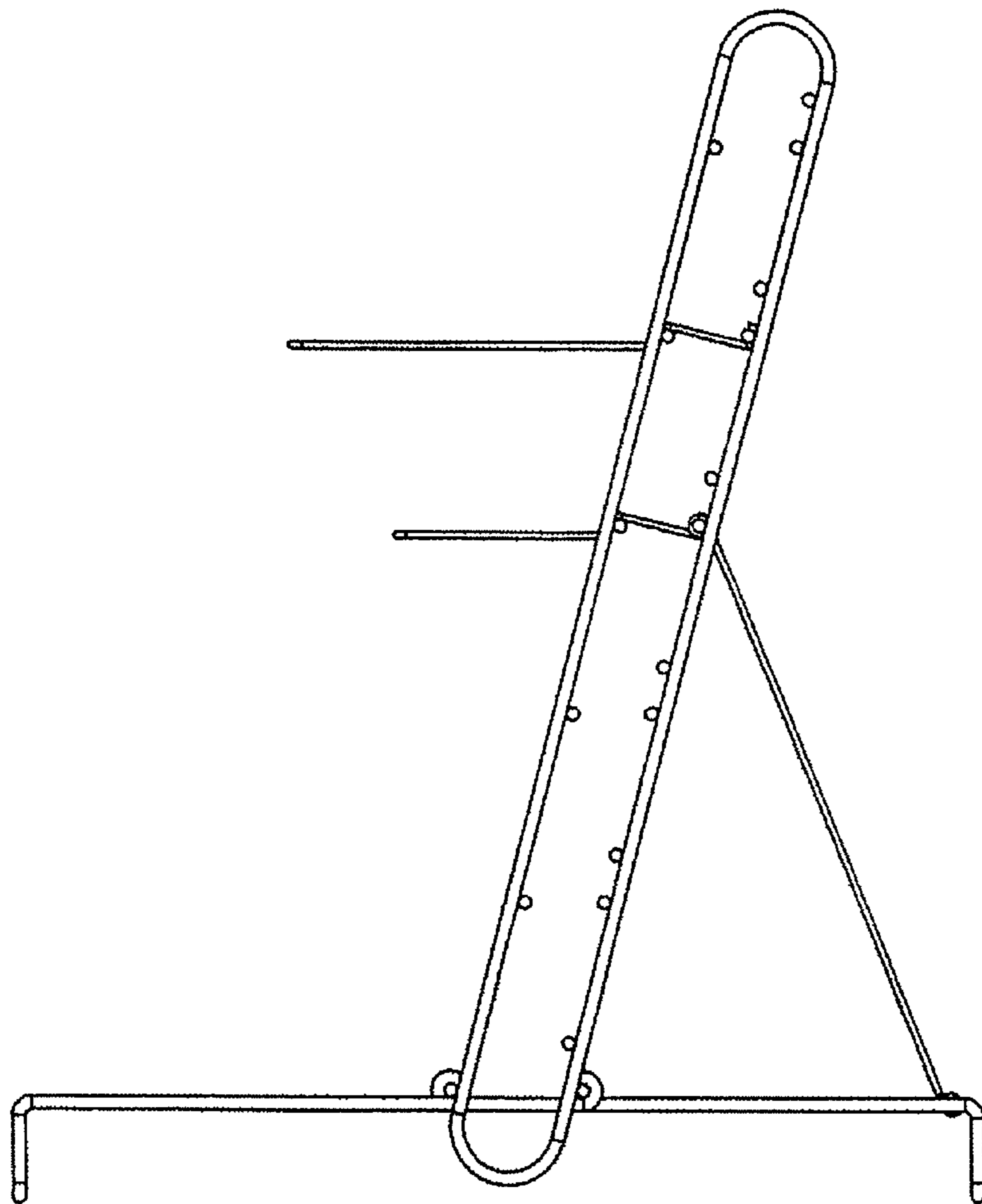


FIG. 5

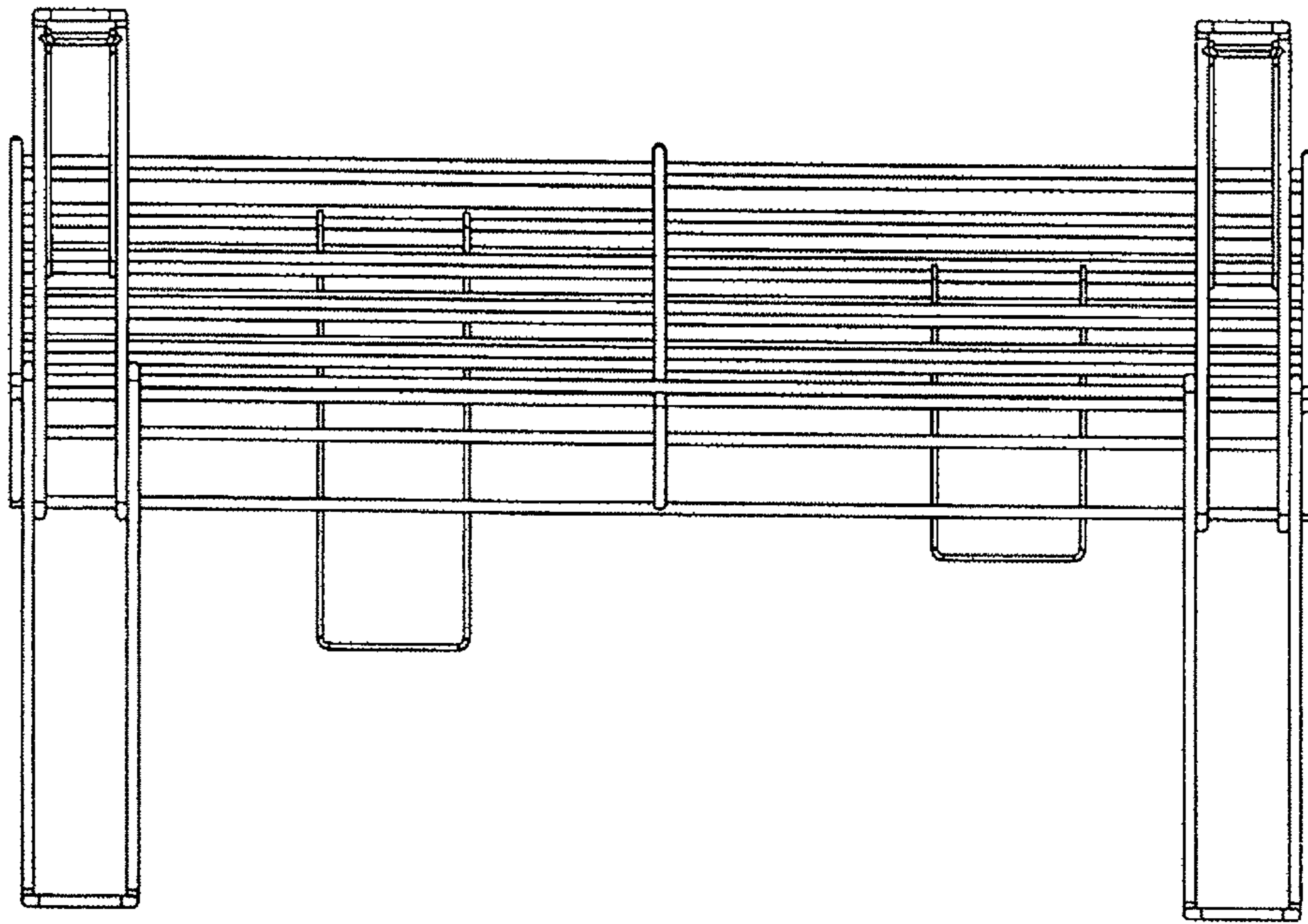


FIG. 6

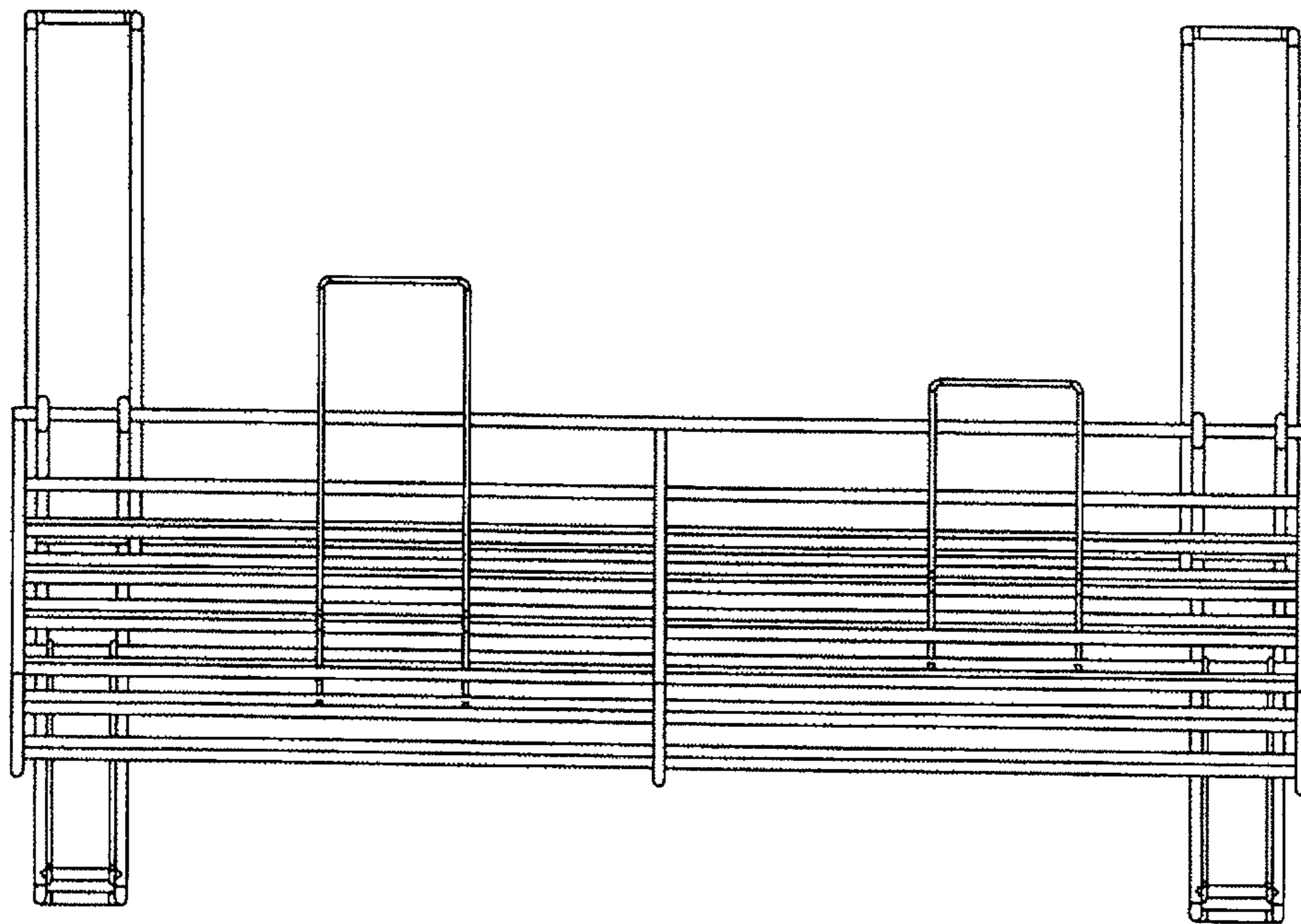


FIG. 7



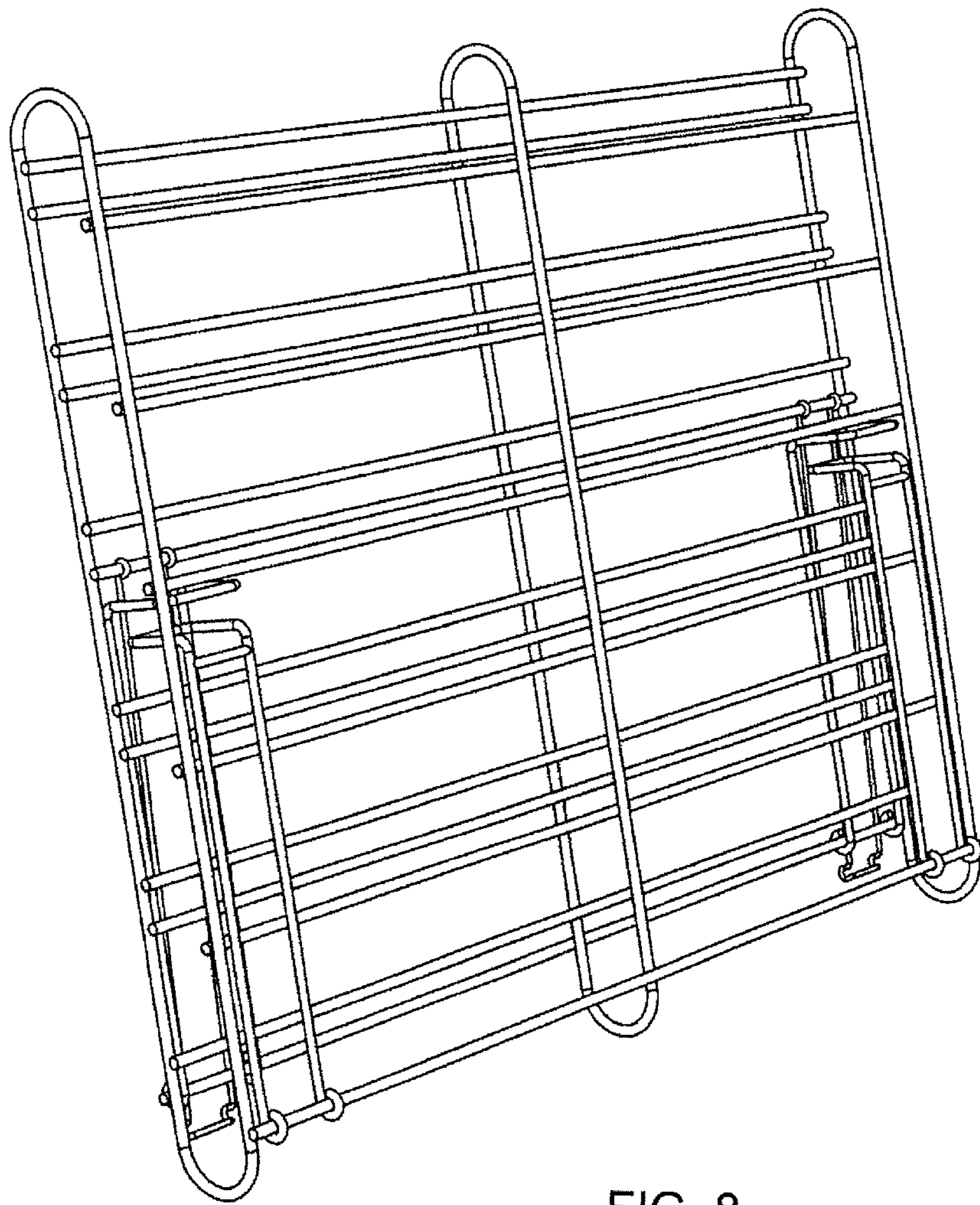


FIG. 8