



US00D538064S

(12) **United States Design Patent**
Schechter

(10) **Patent No.:** **US D538,064 S**

(45) **Date of Patent:** **** Mar. 13, 2007**

(54) **WIG STAND**

(75) **Inventor:** **Richard J. Schechter**, Miami Lakes,
FL (US)

(73) **Assignee:** **General Wig Manufacturers, Inc.**,
Miami Lakes, FL (US)

(**) **Term:** **14 Years**

(21) **Appl. No.:** **29/246,321**

(22) **Filed:** **Mar. 31, 2006**

(51) **LOC (8) Cl.** **06-04**

(52) **U.S. Cl.** **D6/462**

(58) **Field of Classification Search** D6/458,
D6/455, 415, 456, 457, 411, 462-465; 211/119.01,
211/113-115, 13.1, 30, 33, 181.1, 163; D26/102,
D26/58

See application file for complete search history.

(56) **References Cited**

U.S. PATENT DOCUMENTS

622,316 A * 4/1899 Xander 211/1.53
D30,771 S * 5/1899 Morrow D6/458
D97,137 S * 10/1935 Koch D6/467

D239,070 S * 3/1976 Gray D3/25
D271,913 S * 12/1983 Nanfito et al. D32/55
4,991,344 A * 2/1991 Carney 47/39
D361,224 S * 8/1995 Stanley D6/458

* cited by examiner

Primary Examiner—Janice E. Seeger

Assistant Examiner—Sydney R. Buffalow

(74) *Attorney, Agent, or Firm*—Wood, Herron & Evans,
LLP; Thomas W. Flynn

(57) **CLAIM**

The ornamental design for a wig stand, as shown and
described.

DESCRIPTION

FIG. 1 is a perspective view of a wig stand incorporating our
new design;

FIG. 2 is a front elevational view thereof;

FIG. 3 is a rear elevational view thereof;

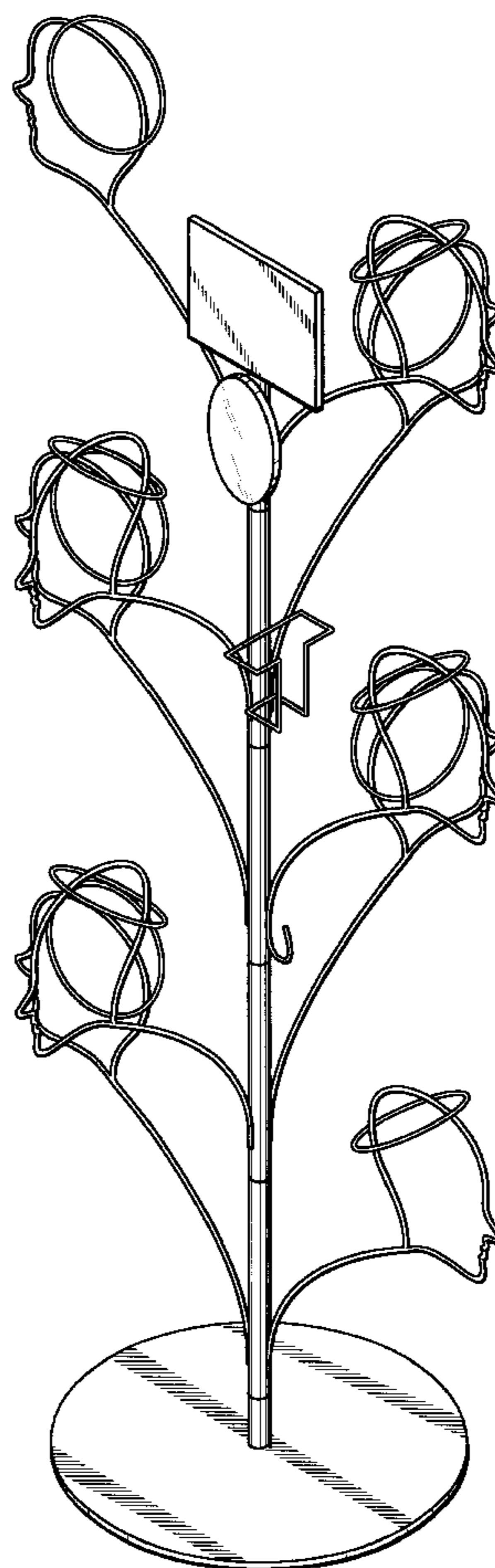
FIG. 4 is a left-side elevational view thereof;

FIG. 5 is a right-side elevational view thereof;

FIG. 6 is a top view thereof; and,

FIG. 7 is a bottom plan view thereof.

1 Claim, 6 Drawing Sheets



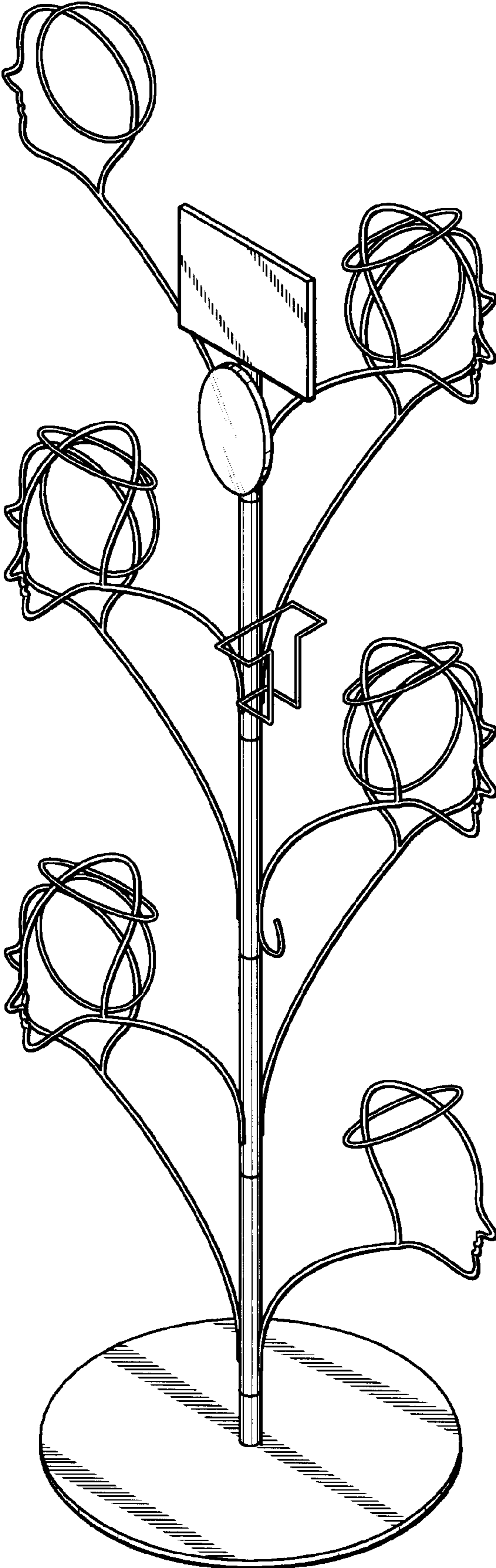


FIG. 1

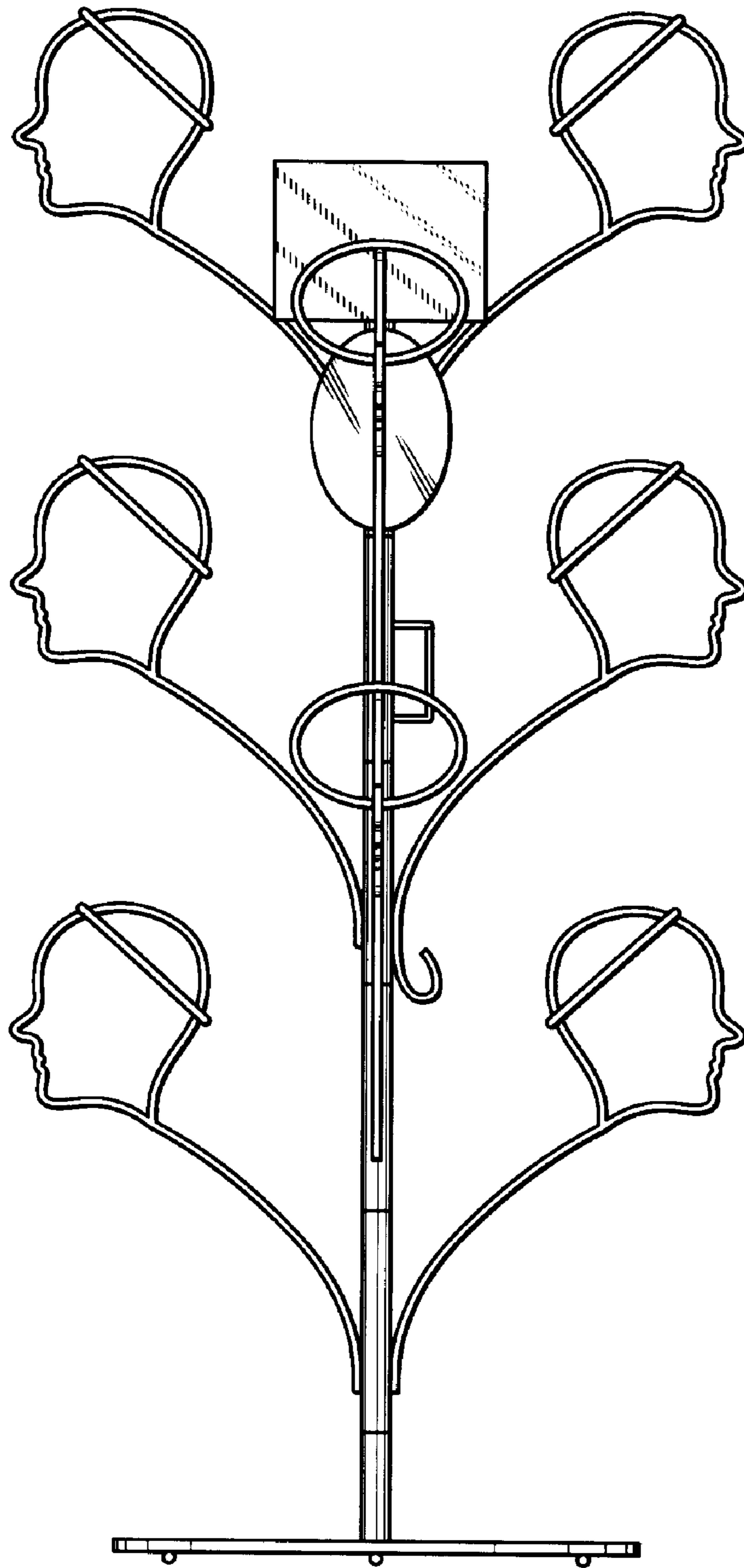


FIG. 2

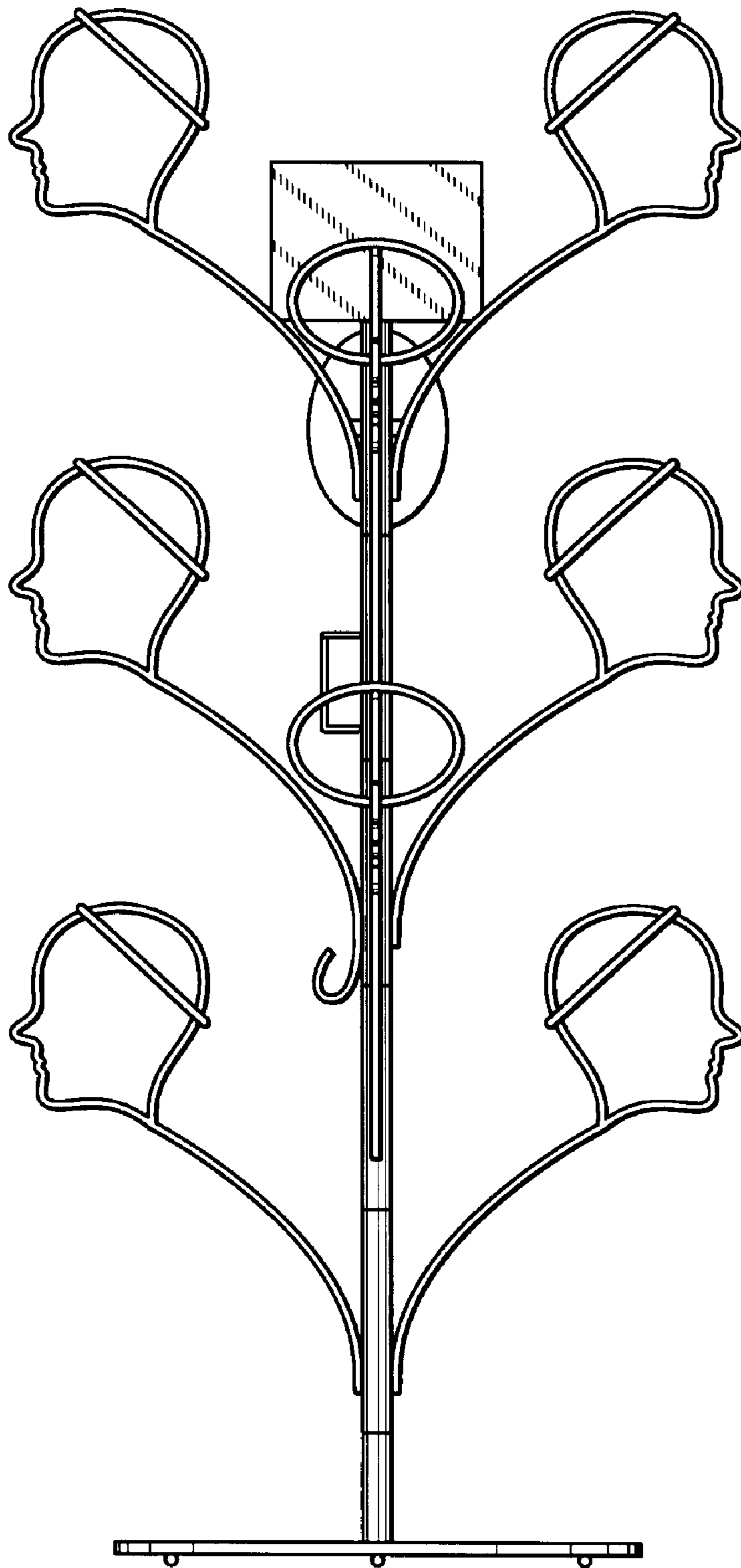


FIG. 3

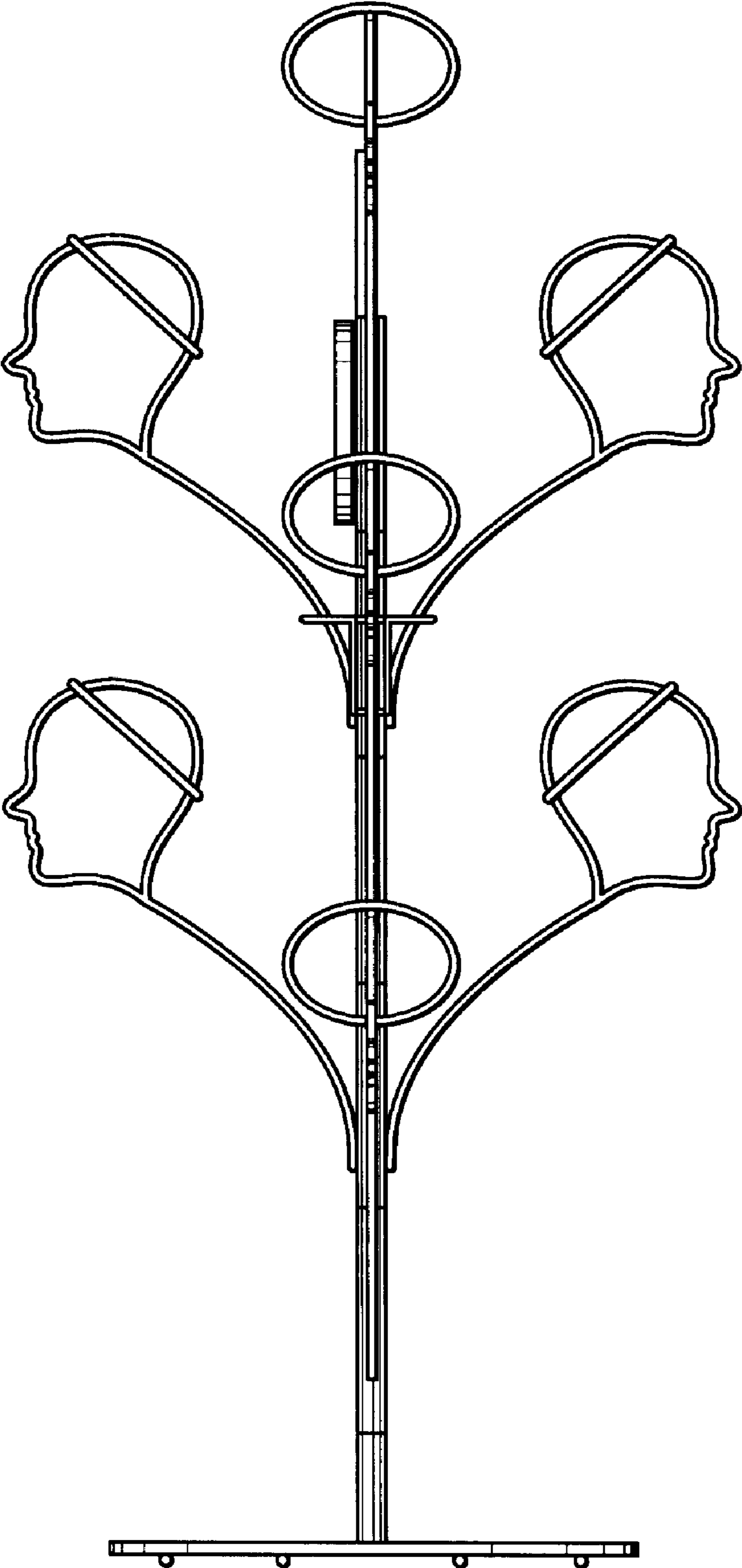


FIG. 4

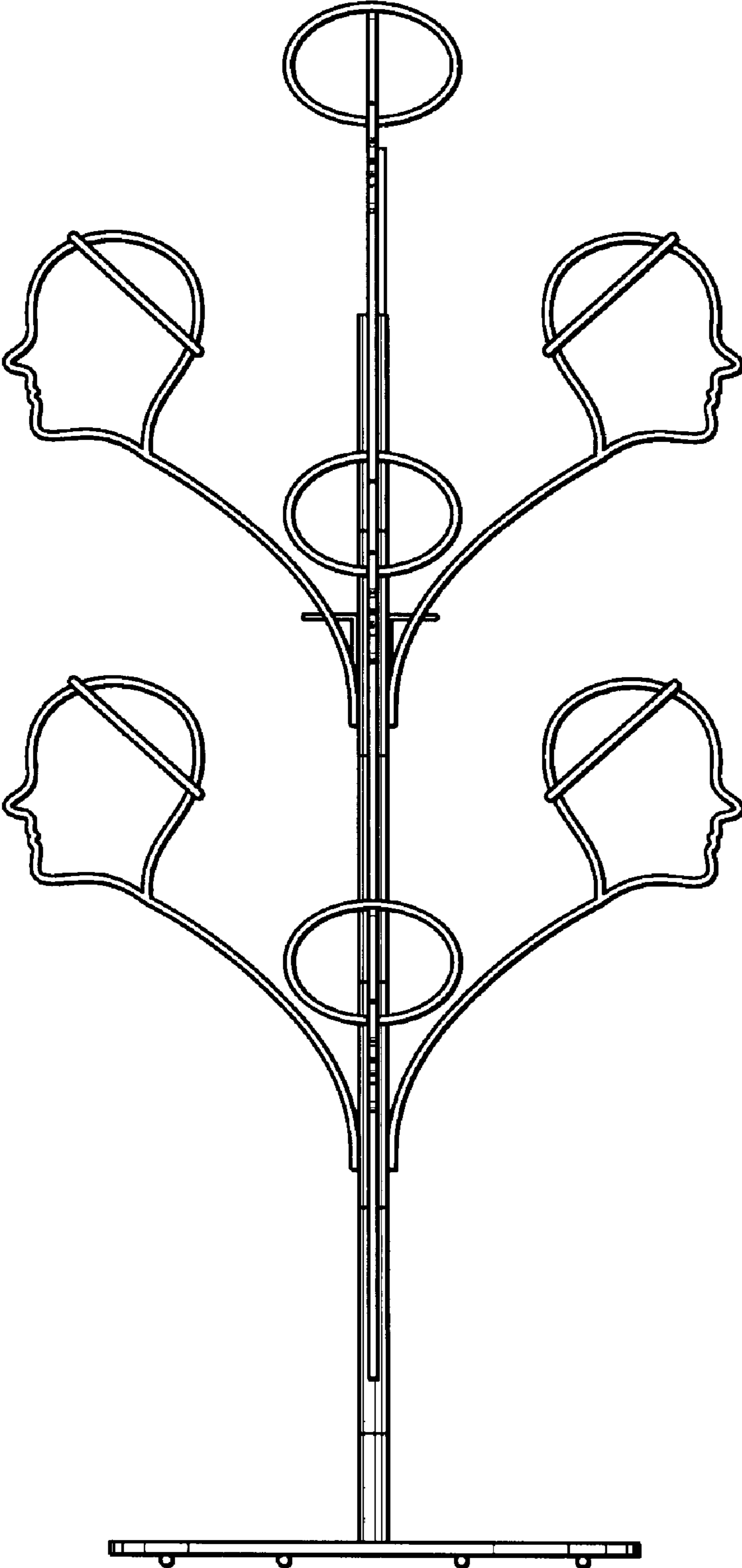


FIG. 5

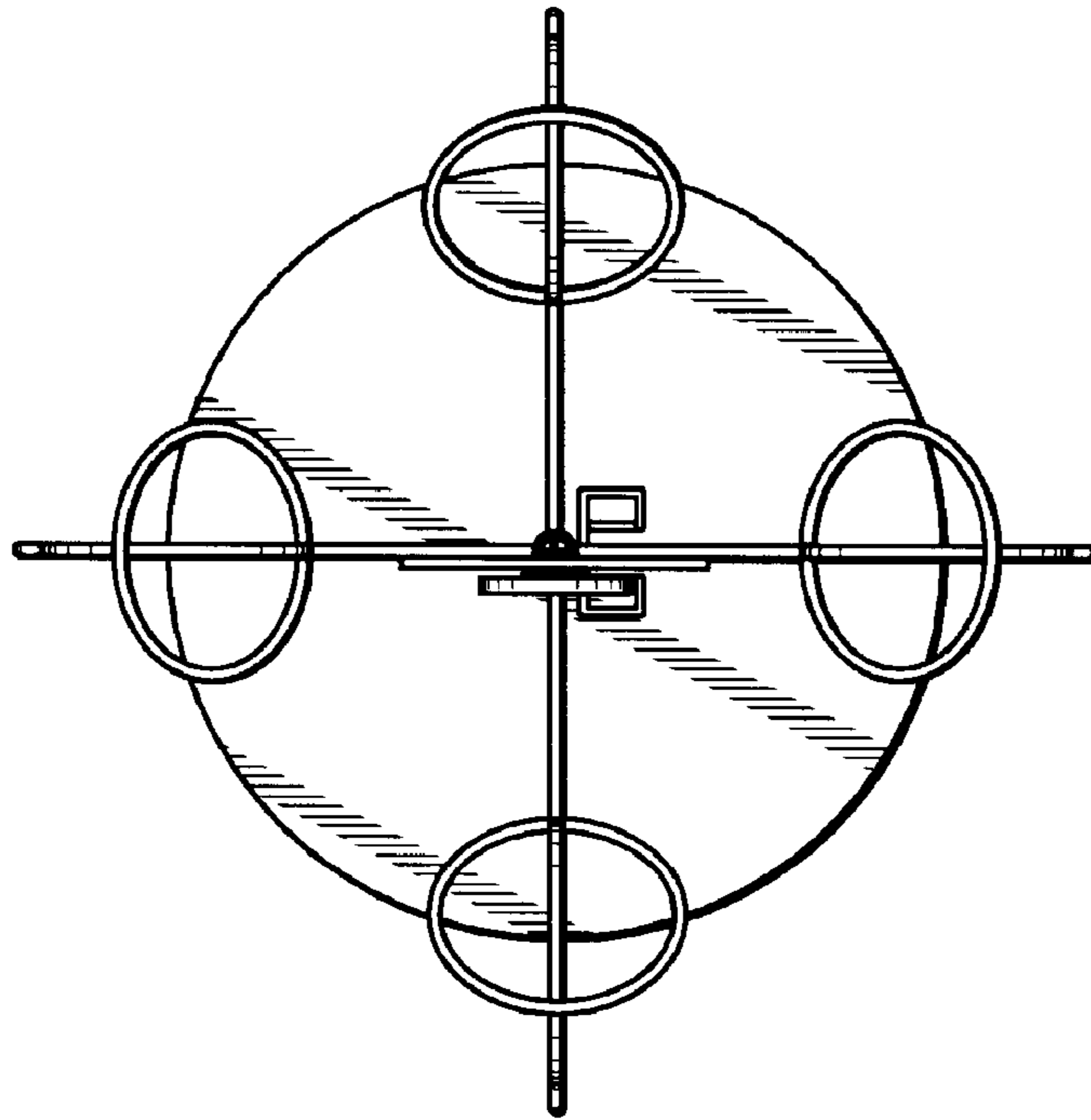


FIG. 6

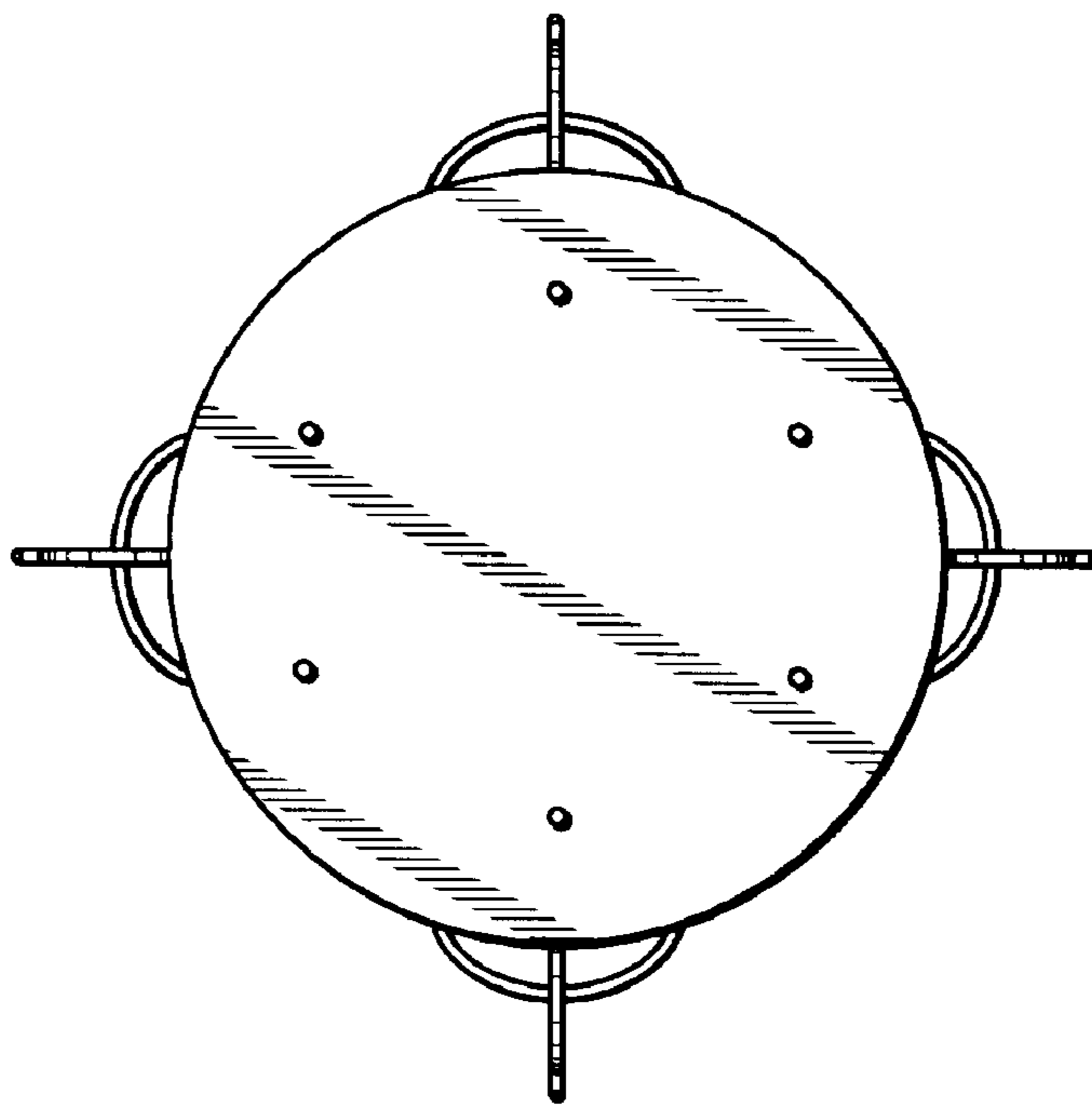


FIG. 7