



US00D538063S

(12) **United States Design Patent** (10) **Patent No.:** **US D538,063 S**  
**Baade** (45) **Date of Patent:** **\*\* Mar. 13, 2007**

(54) **VANITY**

(75) Inventor: **Jonell J. Baade**, Milwaukee, WI (US)

(73) Assignee: **Kohler Co.**, Kohler, WI (US)

(\*\*) Term: **14 Years**

(21) Appl. No.: **29/245,363**

(22) Filed: **Dec. 22, 2005**

(51) **LOC (8) Cl.** ..... **06-04**

(52) **U.S. Cl.** ..... **D6/448**; D6/432; D23/286

(58) **Field of Classification Search** ..... D6/432-448;  
D23/286; 312/204, 209, 228, 228.1  
See application file for complete search history.

(56) **References Cited**

**U.S. PATENT DOCUMENTS**

D367,317 S *	2/1996	Liu	.....	D23/286
D382,139 S *	8/1997	Palka	.....	D6/446
D444,003 S *	6/2001	Melillo	.....	D6/445
D454,262 S *	3/2002	Chu et al.	.....	D6/446
D465,943 S *	11/2002	Prater et al.	.....	D6/446
D479,058 S *	9/2003	Walker	.....	D6/448
D500,929 S *	1/2005	Walker	.....	D6/446
D523,660 S *	6/2006	Bruce	.....	D6/446
2006/0091269 A1 *	5/2006	Hanson	.....	248/188.4

**OTHER PUBLICATIONS**

Westport Bay, "Traditional" model, Model No. 5300-3000, 30" Vanity Bathroom Vanity. ([www.faucet.com/decor/product.pl?mid=50140&fh=distressed cherry](http://www.faucet.com/decor/product.pl?mid=50140&fh=distressed%20cherry)).

Yesterday's Bath, "37"×20 Colonial Vanity" Brown Finish—Antica Classica Jr. Drop-in.

Baker Furniture catalog, p. 35. Model No. 5637 Server.

Baker Furniture catalog, p. 3. Model 8092 Bookcase Cabinet.

Arnold Reception Desks, Courtroom Furniture, "Kent Style".

\* cited by examiner

*Primary Examiner*—Cathron C. Brooks

(74) *Attorney, Agent, or Firm*—Quarles & Brady LLP

(57) **CLAIM**

The ornamental design for a vanity, as shown and described.

**DESCRIPTION**

In a preferred embodiment, the nature of this product is a vanity such as can be used to support a lavatory.

FIG. 1 is a left, top, front perspective view of a vanity according to my new design;

FIG. 2 is a front elevational view thereof;

FIG. 3 is a left side elevational view thereof, the right side elevational view thereof being a mirror image of the left side shown;

FIG. 4 is a top plan view thereof;

FIG. 5 is a rear elevational view thereof; and,

FIG. 6 is a bottom plan view thereof.

The broken line representations of fluting in FIGS. 1-2 and wall structure in FIGS. 1, 4 and 6, are for the purpose of illustration only, and form no part of the claimed design.

**1 Claim, 4 Drawing Sheets**

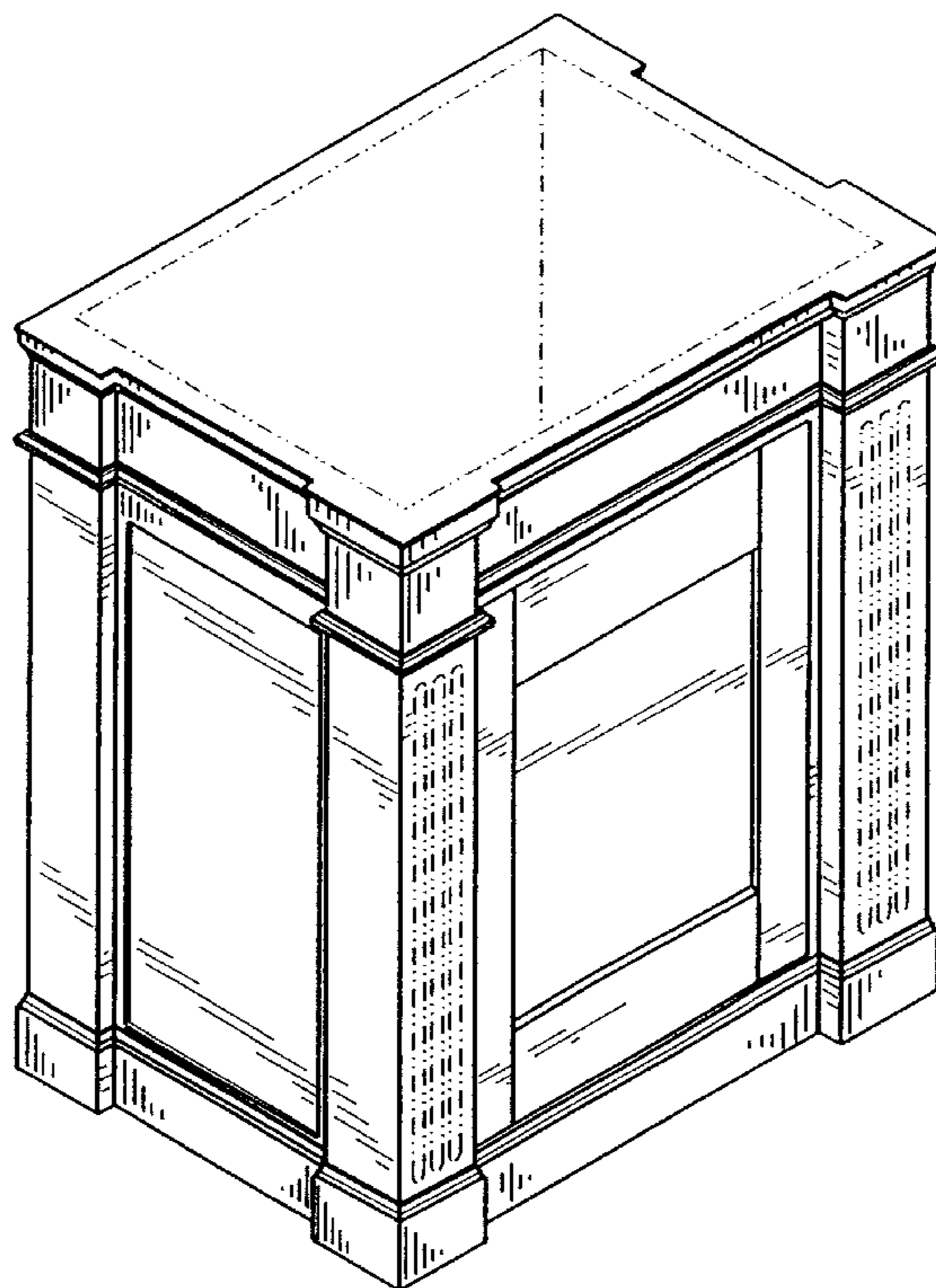
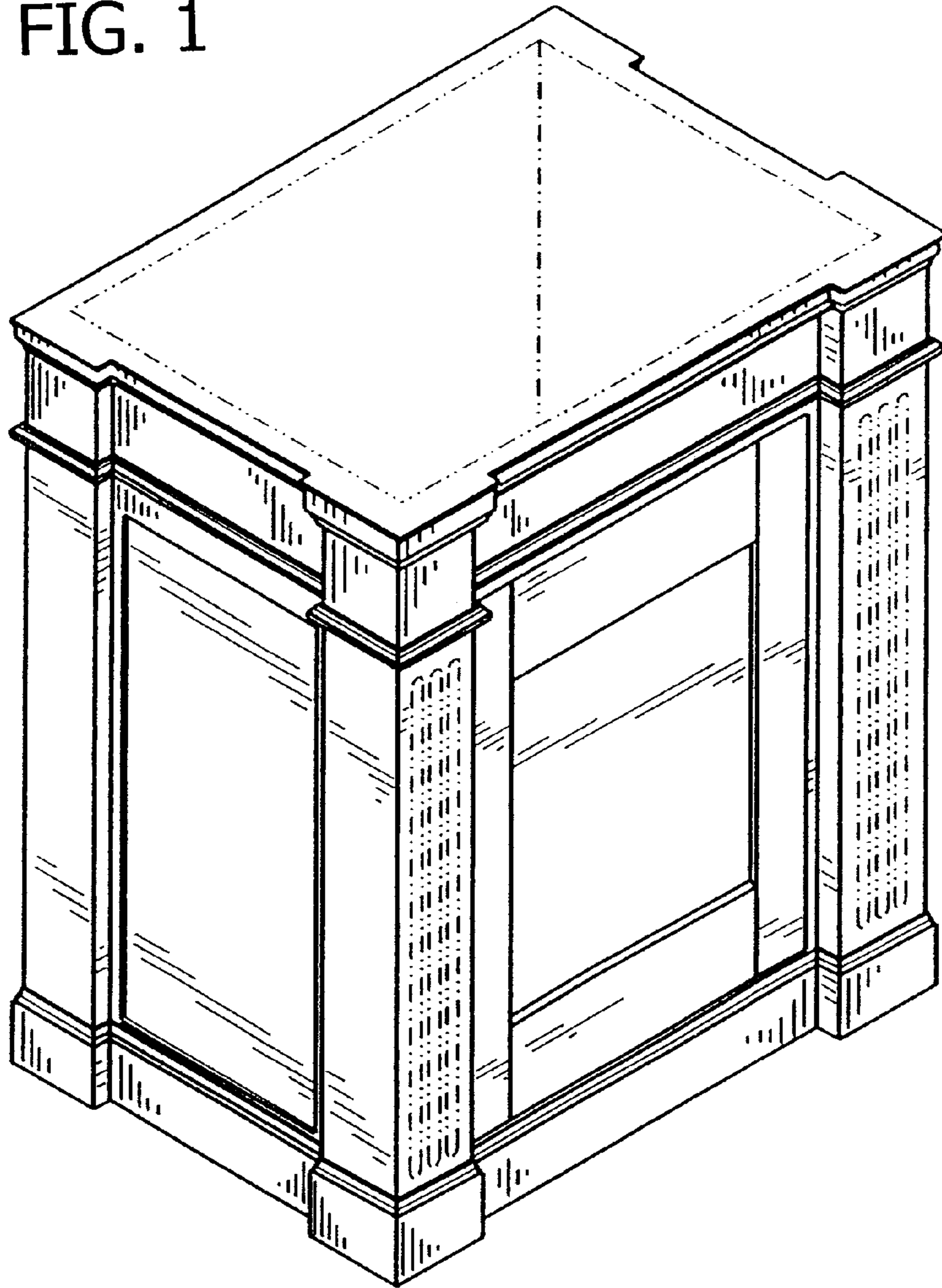


FIG. 1



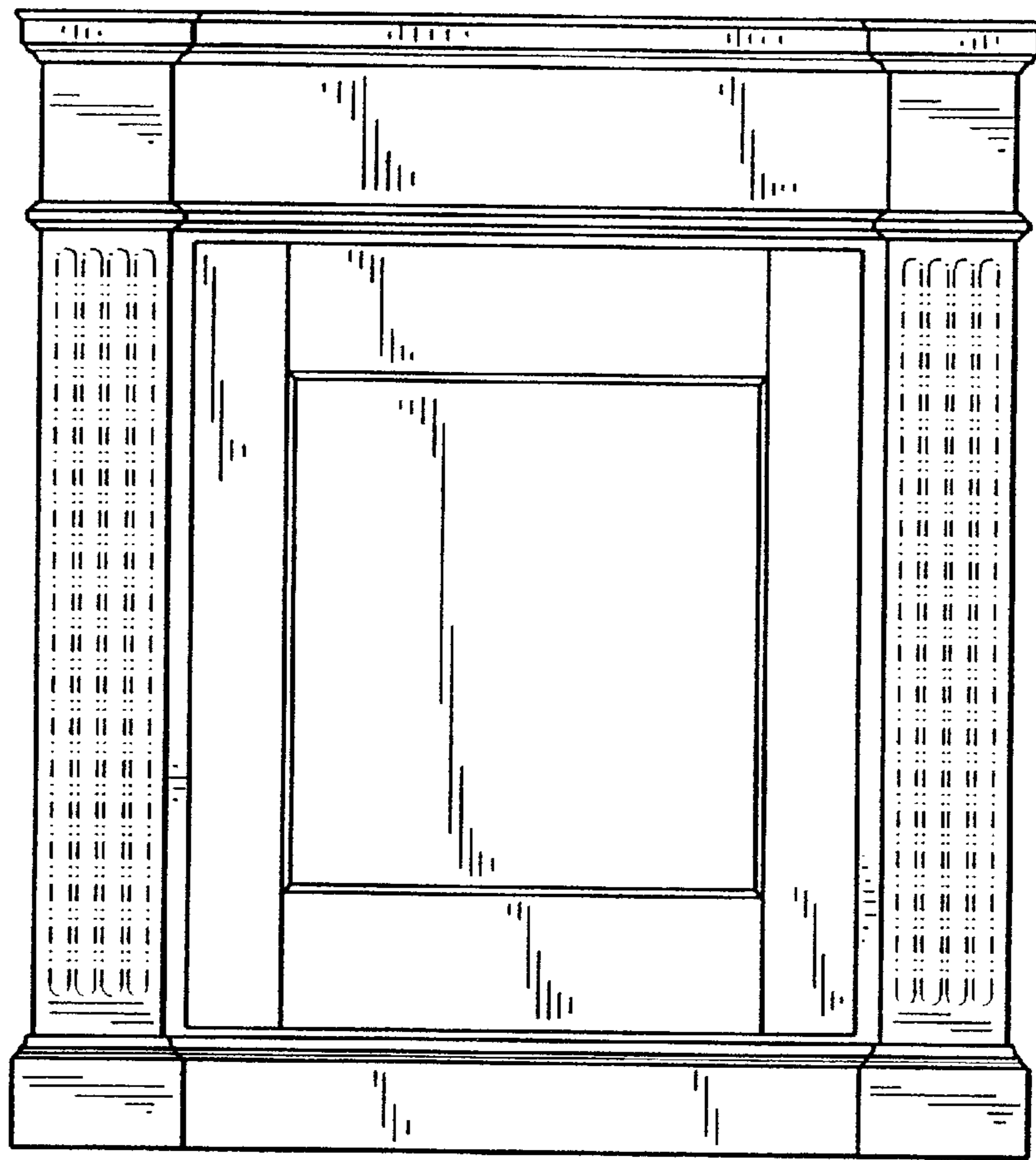


FIG. 2

FIG. 3

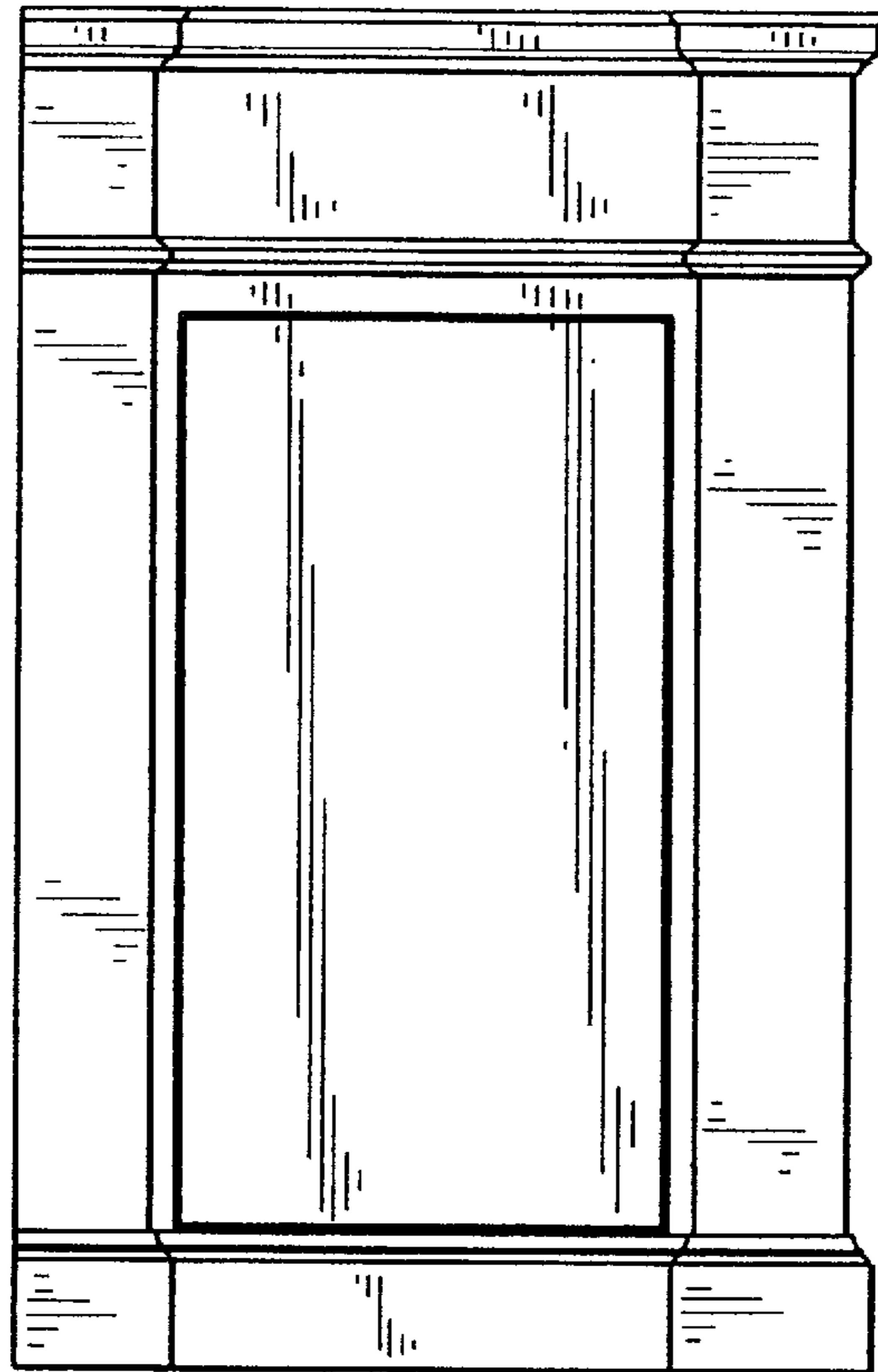


FIG. 4

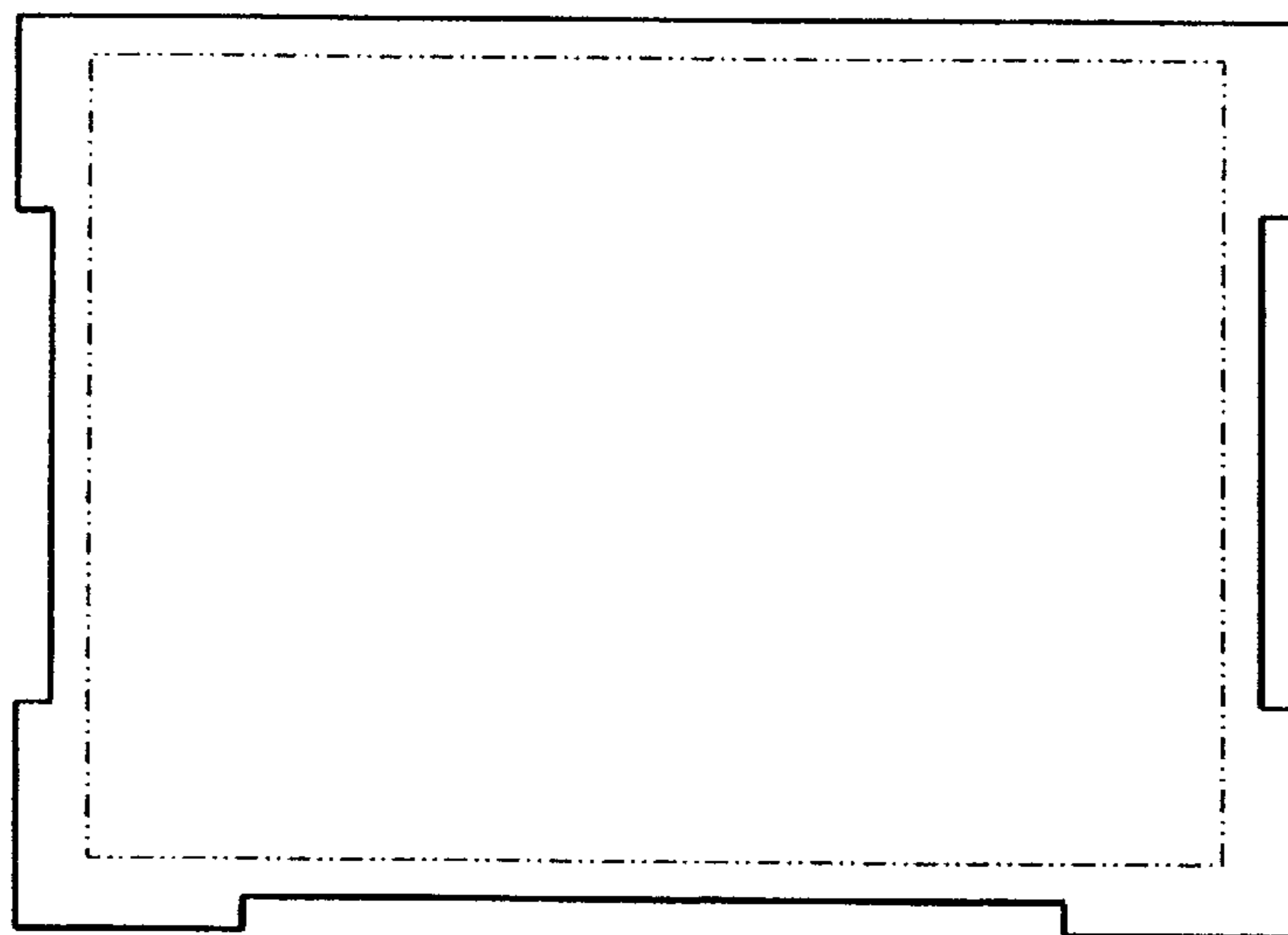


FIG. 5

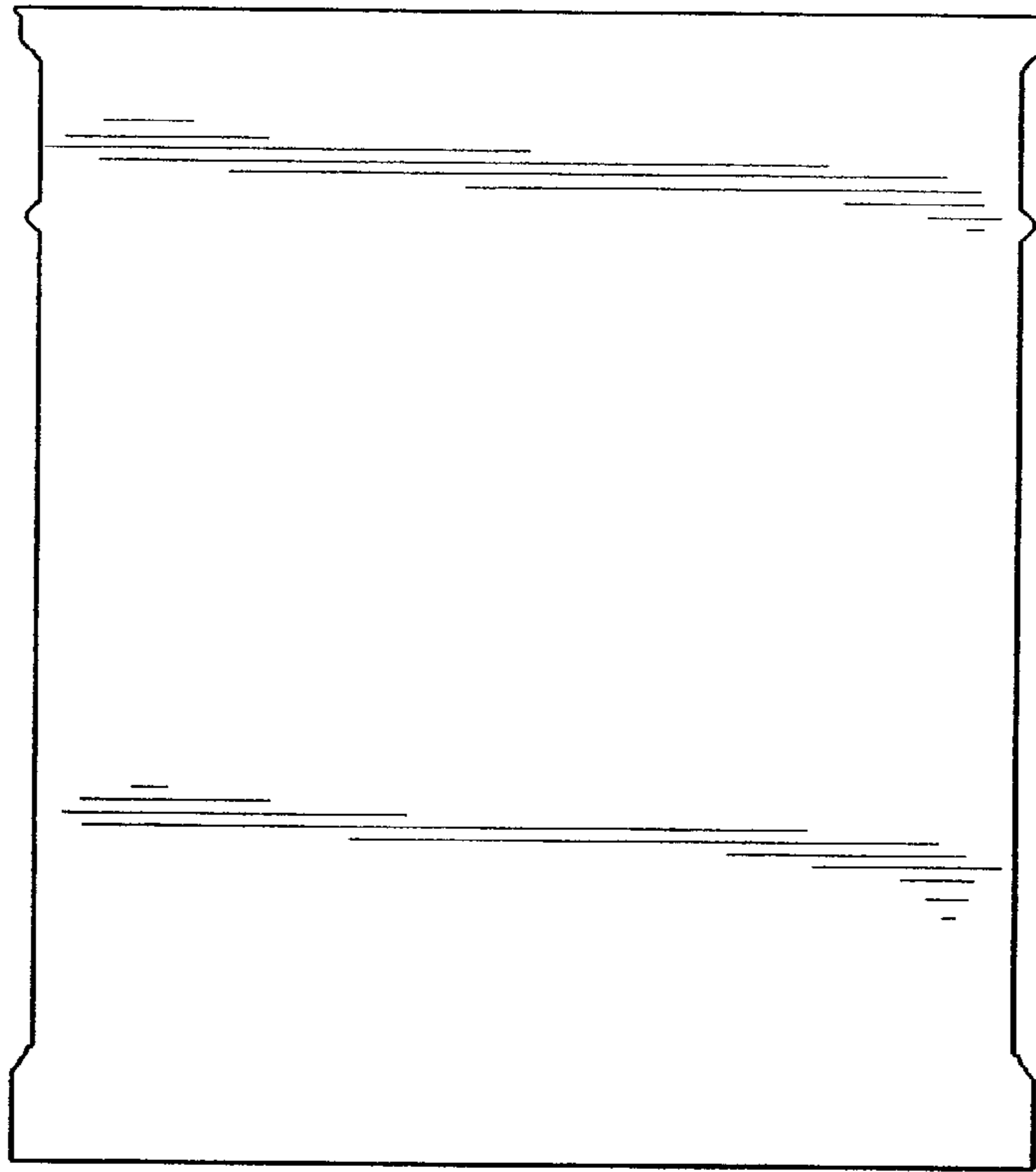


FIG. 6

