



US00D538062S

(12) **United States Design Patent**  
**Chang**

(10) **Patent No.:** **US D538,062 S**

(45) **Date of Patent:** **\*\* Mar. 13, 2007**

(54) **COMPUTER TABLE**

D516,340 S \* 3/2006 Chang ..... D6/425  
D524,580 S \* 7/2006 Chang ..... D6/480

(76) Inventor: **Chien-Kuo Chang**, P.O. BOX 36-80,  
Taichung City (TW)

\* cited by examiner

(\*\*) Term: **14 Years**

*Primary Examiner*—Janice Seeger  
(74) *Attorney, Agent, or Firm*—Charles E. Baxley

(21) Appl. No.: **29/236,393**

(57) **CLAIM**

(22) Filed: **Aug. 15, 2005**

The ornamental design for a computer table, as shown and described.

(51) **LOC (8) Cl.** ..... **06-03**

(52) **U.S. Cl.** ..... **D6/422; D6/480**

(58) **Field of Classification Search** ..... D6/421–428,  
D6/480, 484; 108/50.01, 50, 60; 312/194–196,  
312/208.1, 239

See application file for complete search history.

**DESCRIPTION**

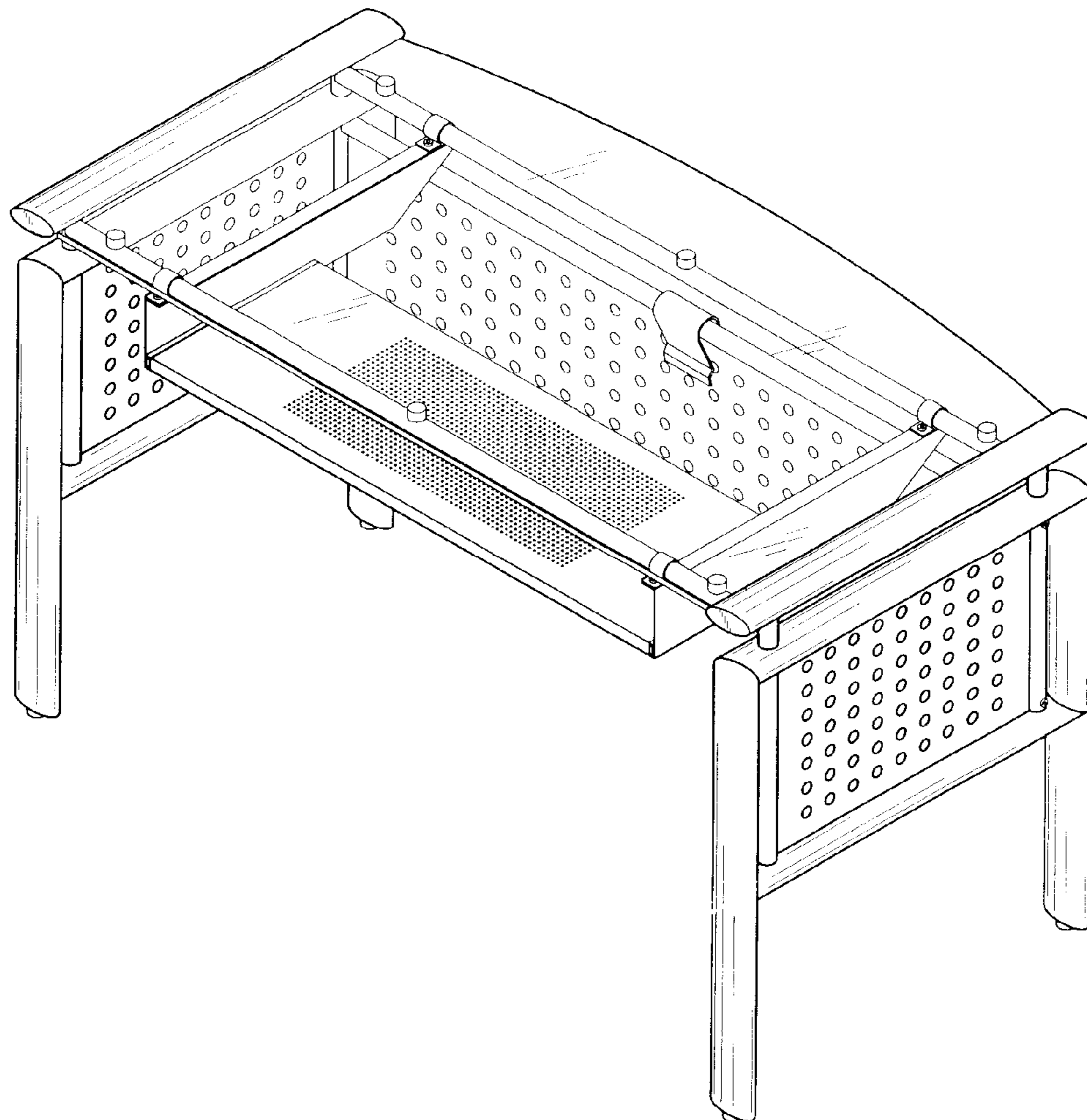
FIG. 1 is a perspective view of a computer table showing our new design thereof;  
FIG. 2 is a front elevational view thereof;  
FIG. 3 is a rear elevational view thereof;  
FIG. 4 is a left side elevational view thereof;  
FIG. 5 is a right side elevational view thereof;  
FIG. 6 is a top plan view thereof; and,  
FIG. 7 is a bottom plan view thereof.

(56) **References Cited**

**U.S. PATENT DOCUMENTS**

5,623,881 A \* 4/1997 Huang ..... 108/50.01  
D477,931 S \* 8/2003 Chang ..... D6/422  
D477,932 S \* 8/2003 Chang ..... D6/426

**1 Claim, 6 Drawing Sheets**



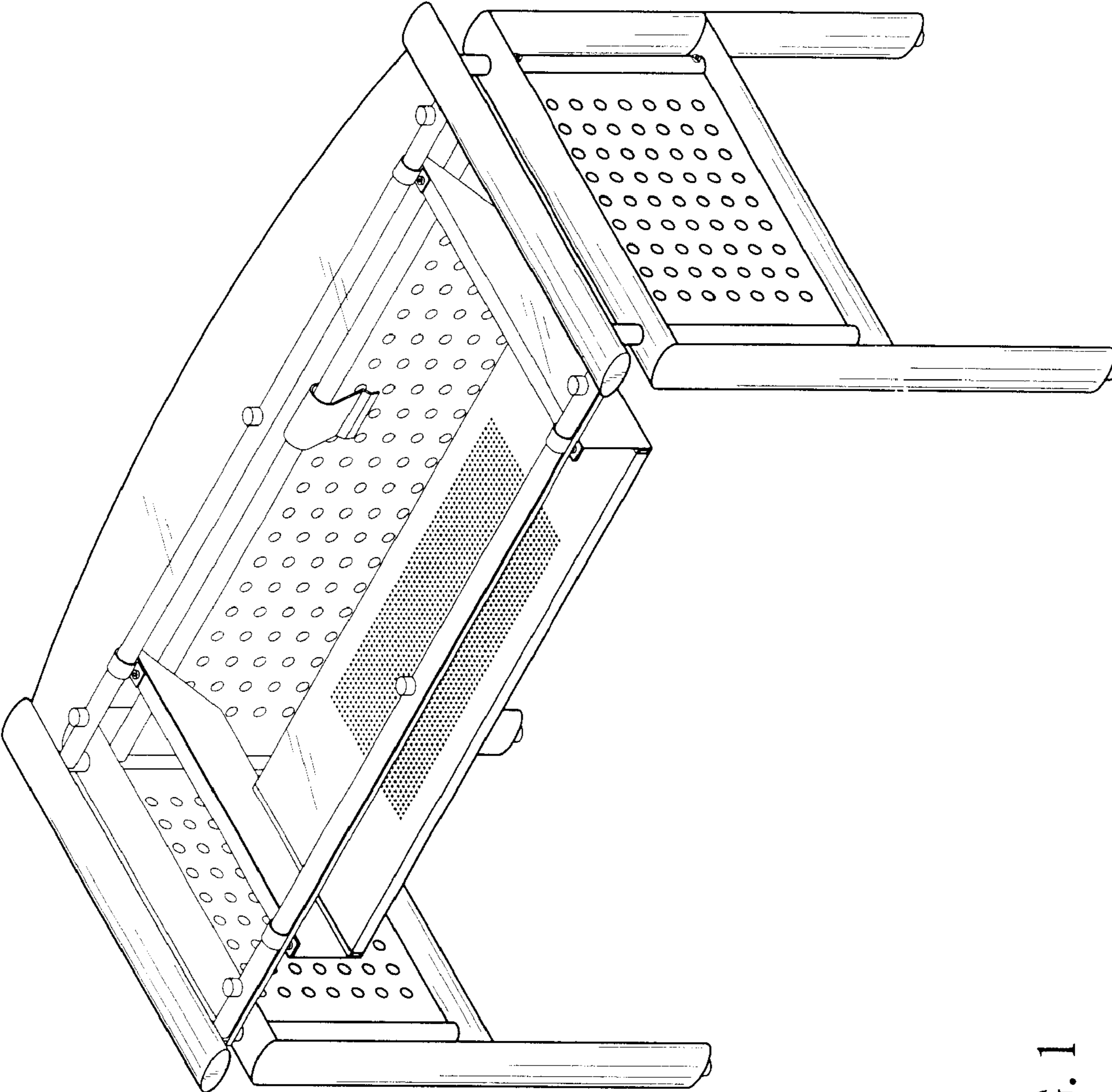


FIG. 1

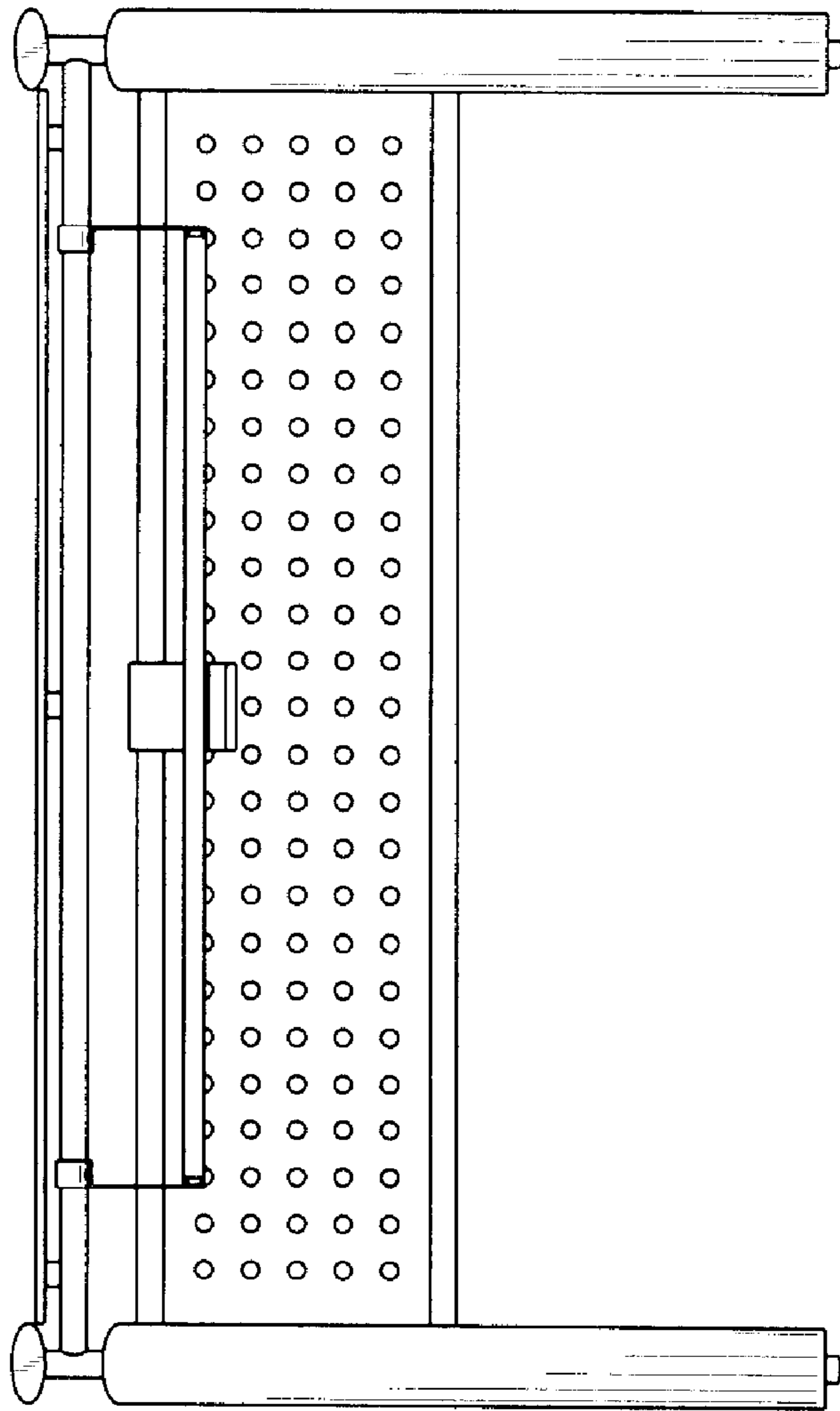


FIG. 2

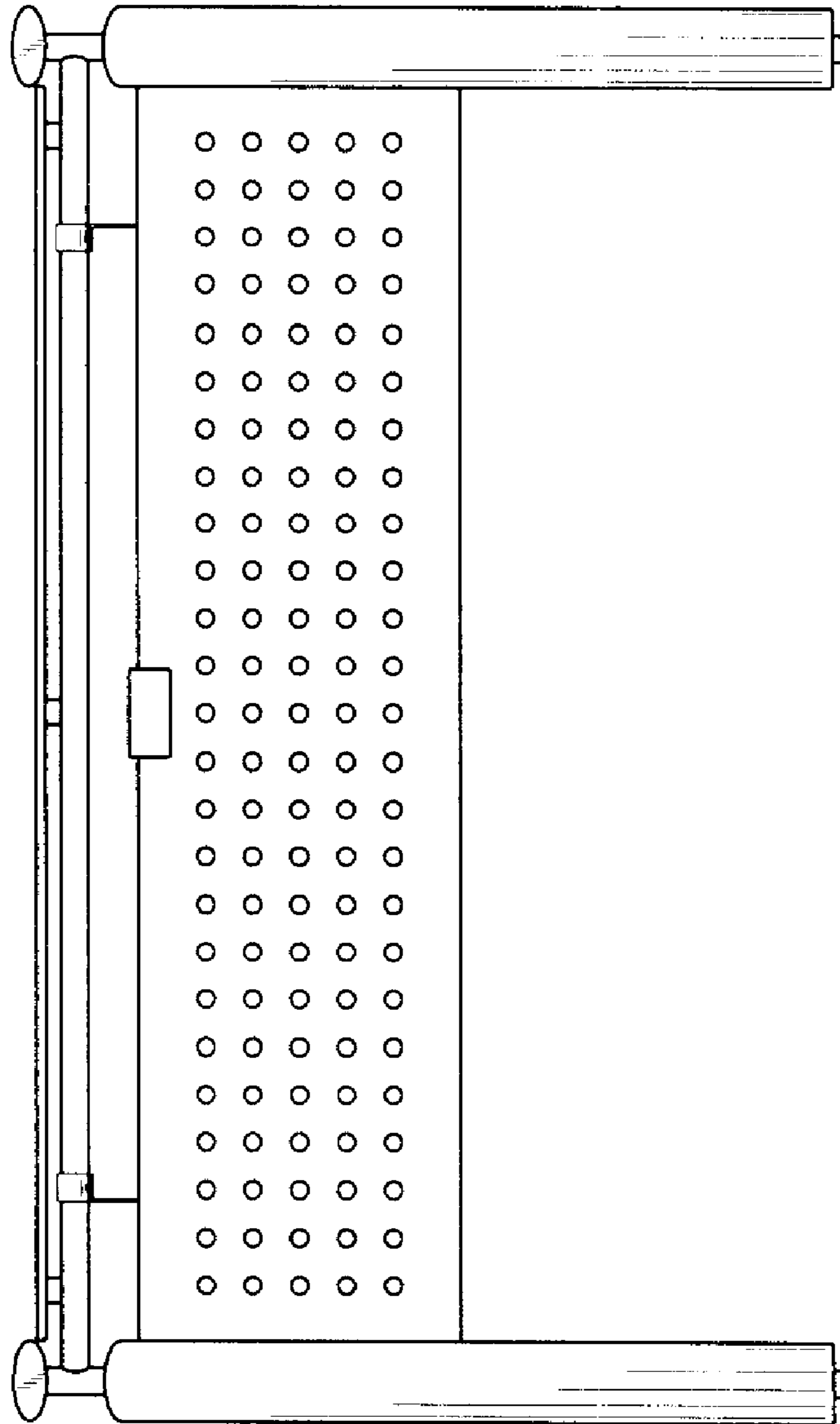


FIG. 3

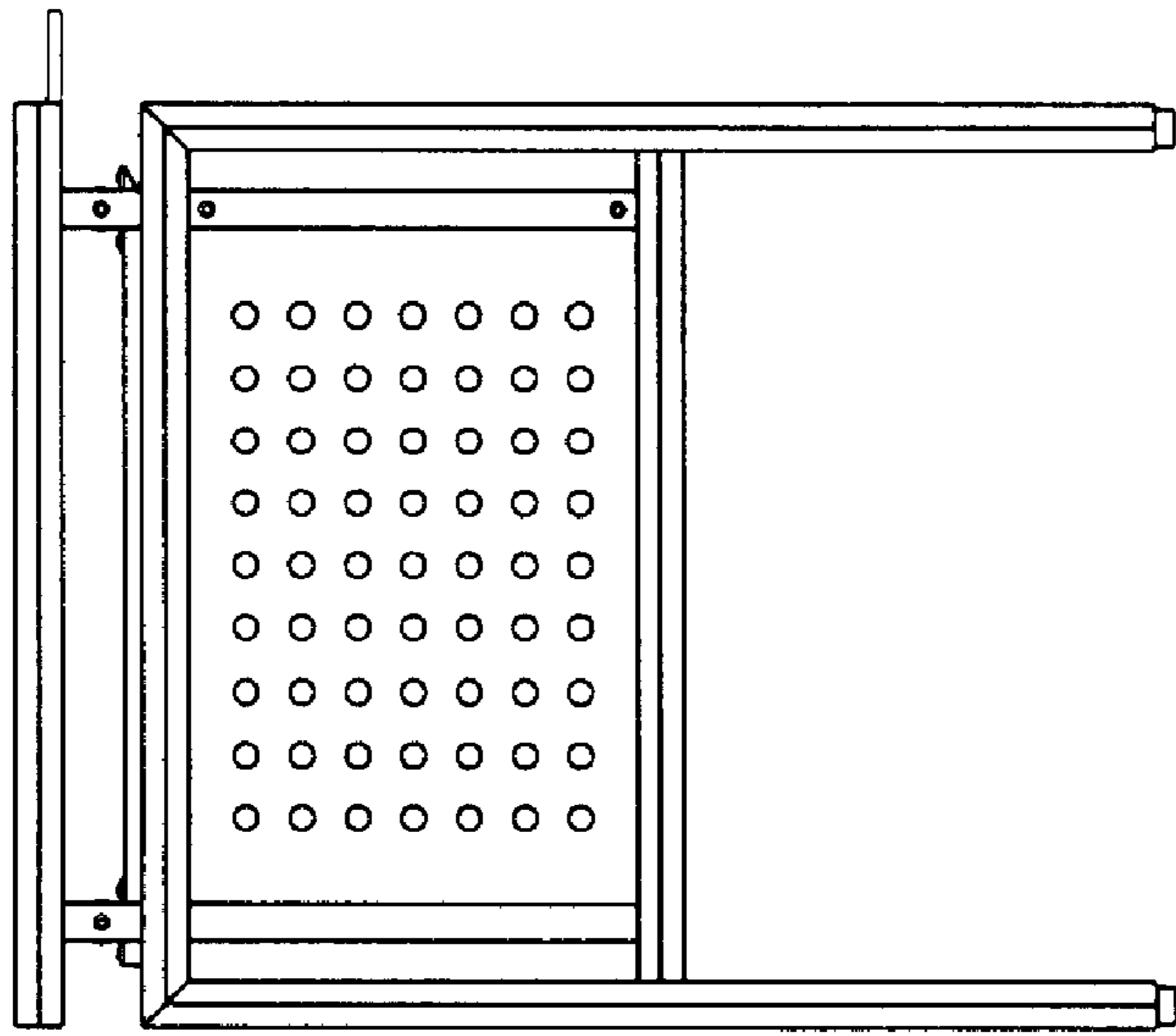


FIG. 5

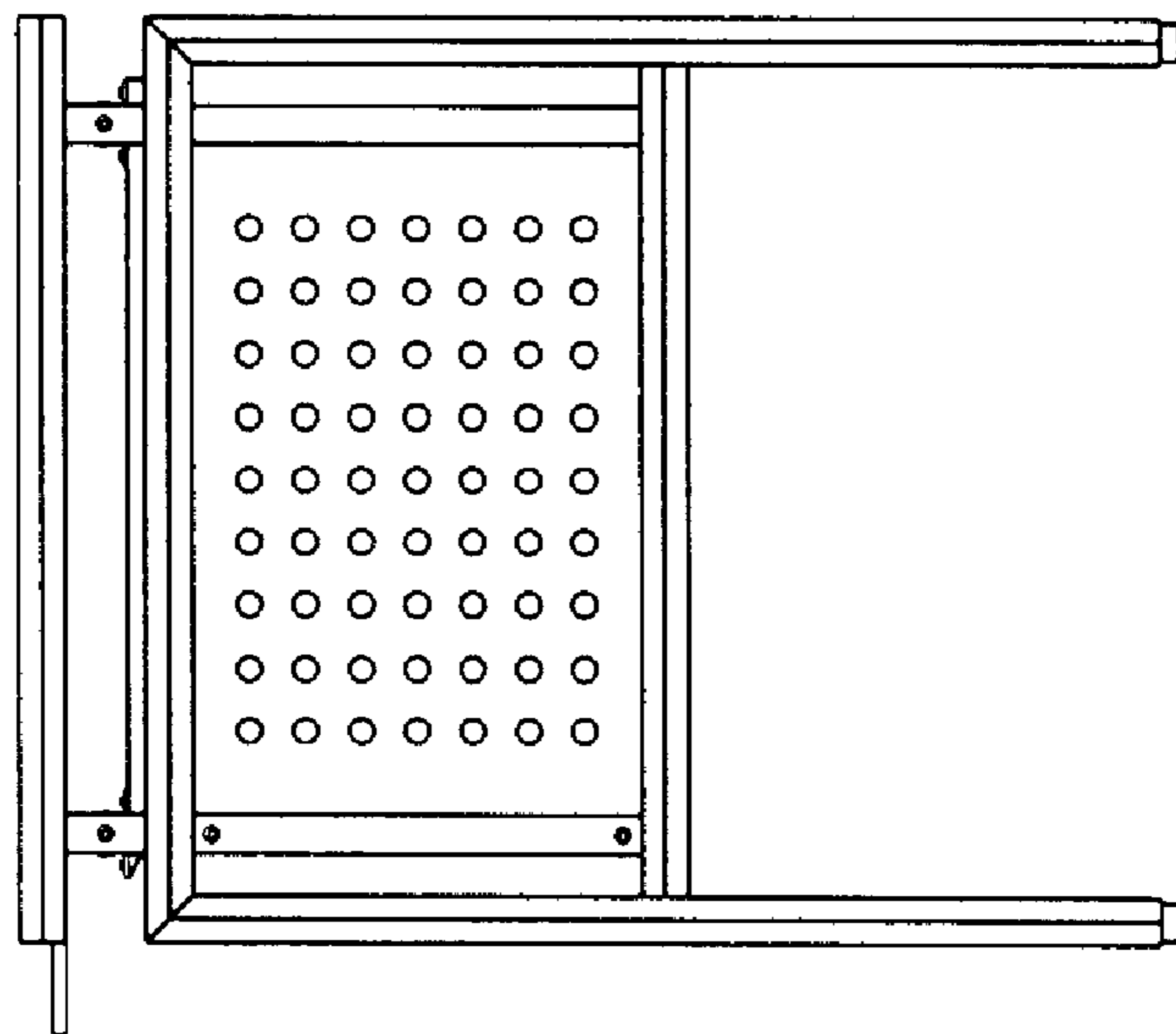


FIG. 4

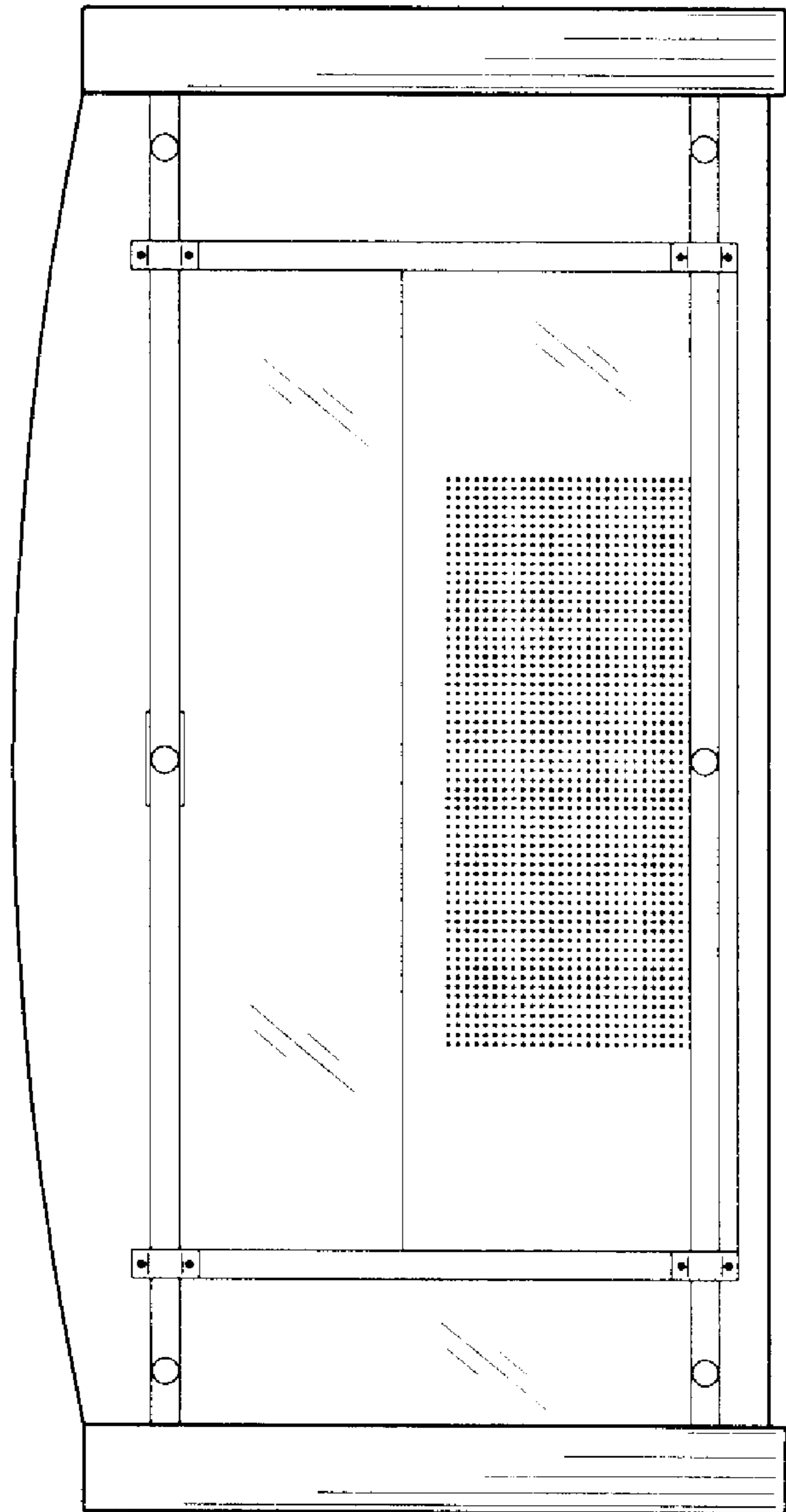


FIG. 6

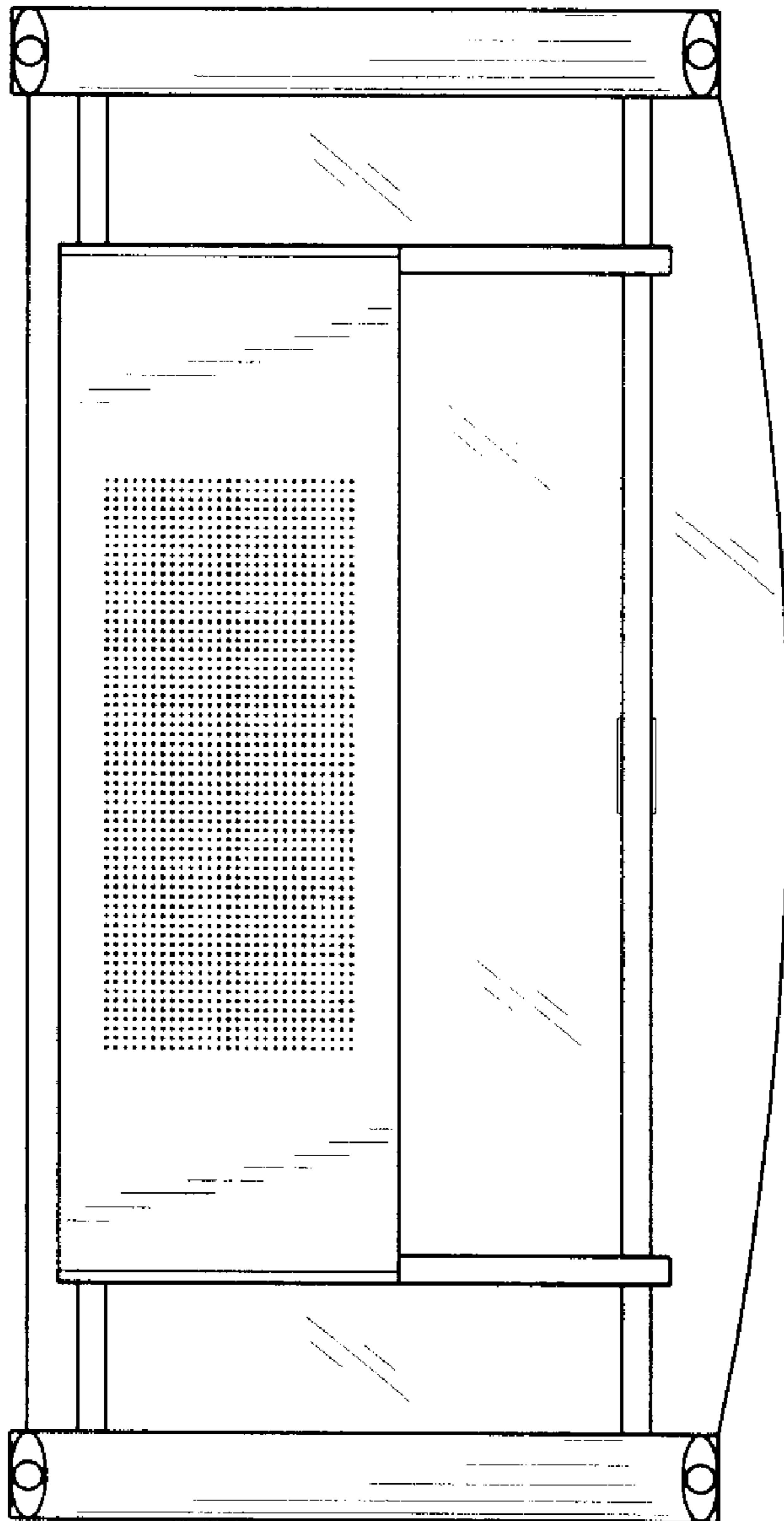


FIG. 7