



US00D538061S

(12) **United States Design Patent**
Daniel

(10) **Patent No.:** **US D538,061 S**

(45) **Date of Patent:** **** Mar. 13, 2007**

(54) **UTILITY TABLE**

(76) **Inventor:** **Robert Daniel**, 3884 Fredonia Dr. #D,
Los Angeles, CA (US) 90068

(**) **Term:** **14 Years**

(21) **Appl. No.:** **29/231,123**

(22) **Filed:** **May 31, 2005**

(51) **LOC (8) Cl.** **06-03**

(52) **U.S. Cl.** **D6/422**

(58) **Field of Classification Search** D6/421-428,
D6/480, 484; 108/50.01, 50, 60; 312/194-196,
312/208.1, 239

See application file for complete search history.

(56) **References Cited**

U.S. PATENT DOCUMENTS

| | | | | | | |
|-----------|----|---|---------|----------------|-------|-----------|
| 1,268,926 | A | * | 6/1918 | Caton | | 312/317.1 |
| D225,956 | S | * | 1/1973 | Torray | | D6/421 |
| D229,467 | S | * | 12/1973 | Ginsberg | | D6/479 |
| D244,334 | S | * | 5/1977 | Ferguson | | D6/428 |
| D372,601 | S | * | 8/1996 | Roberts et al. | | D6/422 |
| D438,401 | S | * | 3/2001 | Lechman | | D6/423 |
| 6,279,489 | B1 | | 8/2001 | Daniel | | |

OTHER PUBLICATIONS

Schoner Wohen, Jan. 1989, p. 73, Argot table at top.*

* cited by examiner

Primary Examiner—Janice Seeger

(74) *Attorney, Agent, or Firm*—Kelly Lowry & Kelley, LLP

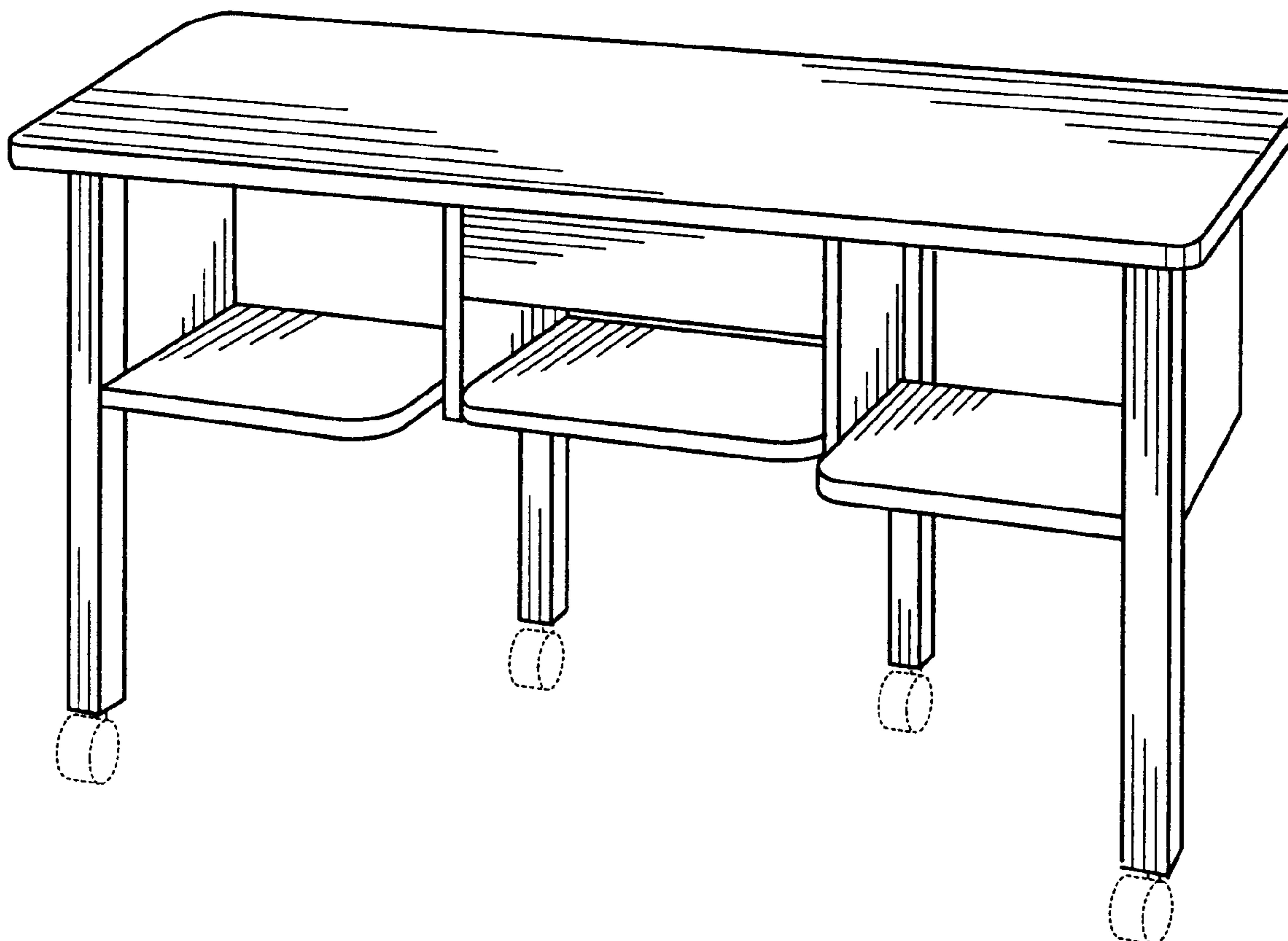
(57) **CLAIM**

The ornamental design for a utility table, as shown and described.

DESCRIPTION

FIG. 1 is a rear, top and left side perspective view of a utility table embodying my new design;
 FIG. 2 is a rear elevational thereof;
 FIG. 3 is a front elevational view thereof;
 FIG. 4 is a left side elevational view thereof;
 FIG. 5 is a right side elevational view thereof;
 FIG. 6 is a top plan view thereof;
 FIG. 7 is a bottom plan view thereof;
 FIG. 8 is a top plan view of an alternative embodiment thereof; and,
 FIG. 9 is a perspective view similar to FIG. 1, illustrating the utility table with the alternative top shown in FIG. 8.

1 Claim, 4 Drawing Sheets



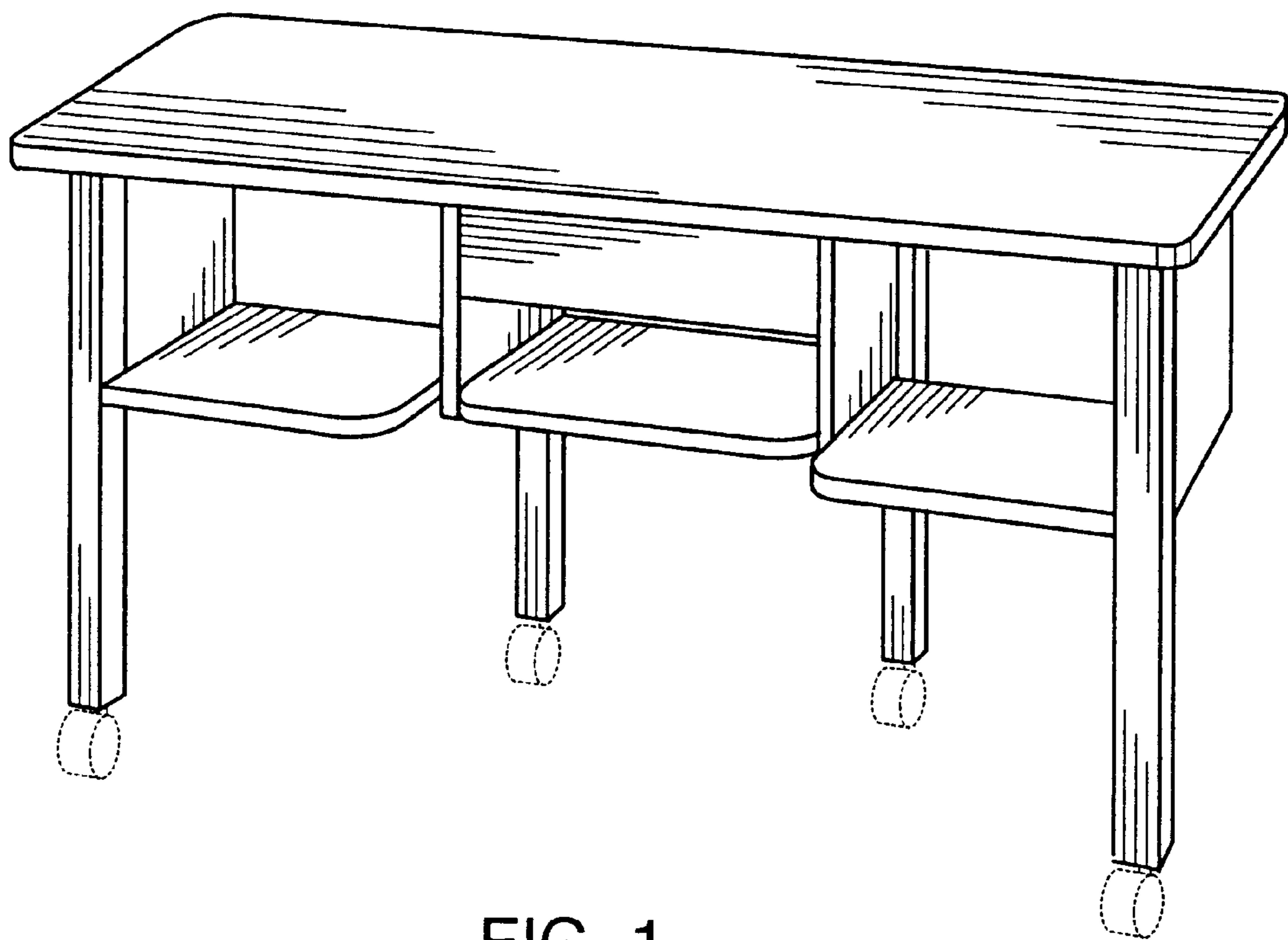


FIG. 1

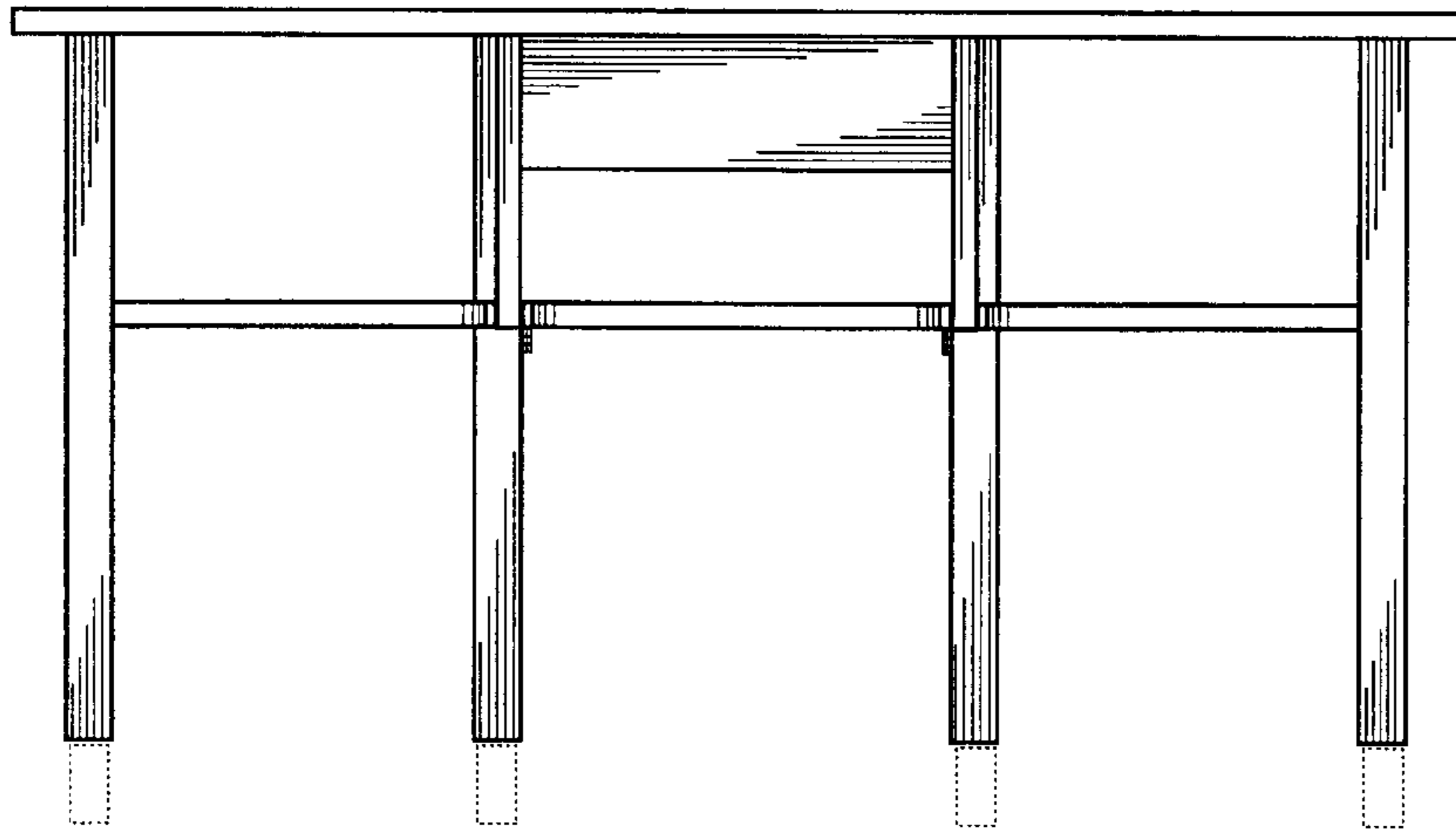


FIG. 2

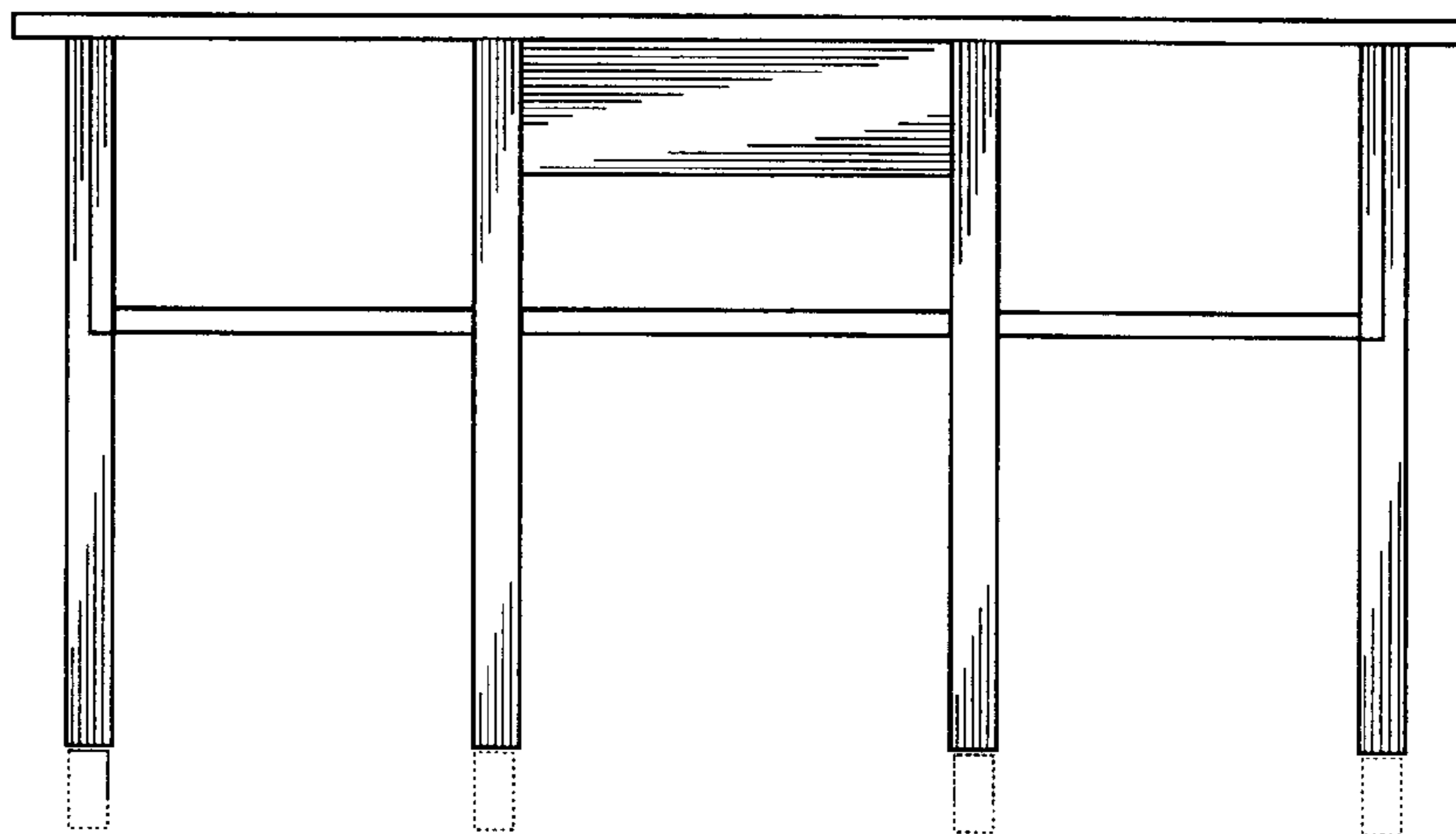


FIG. 3

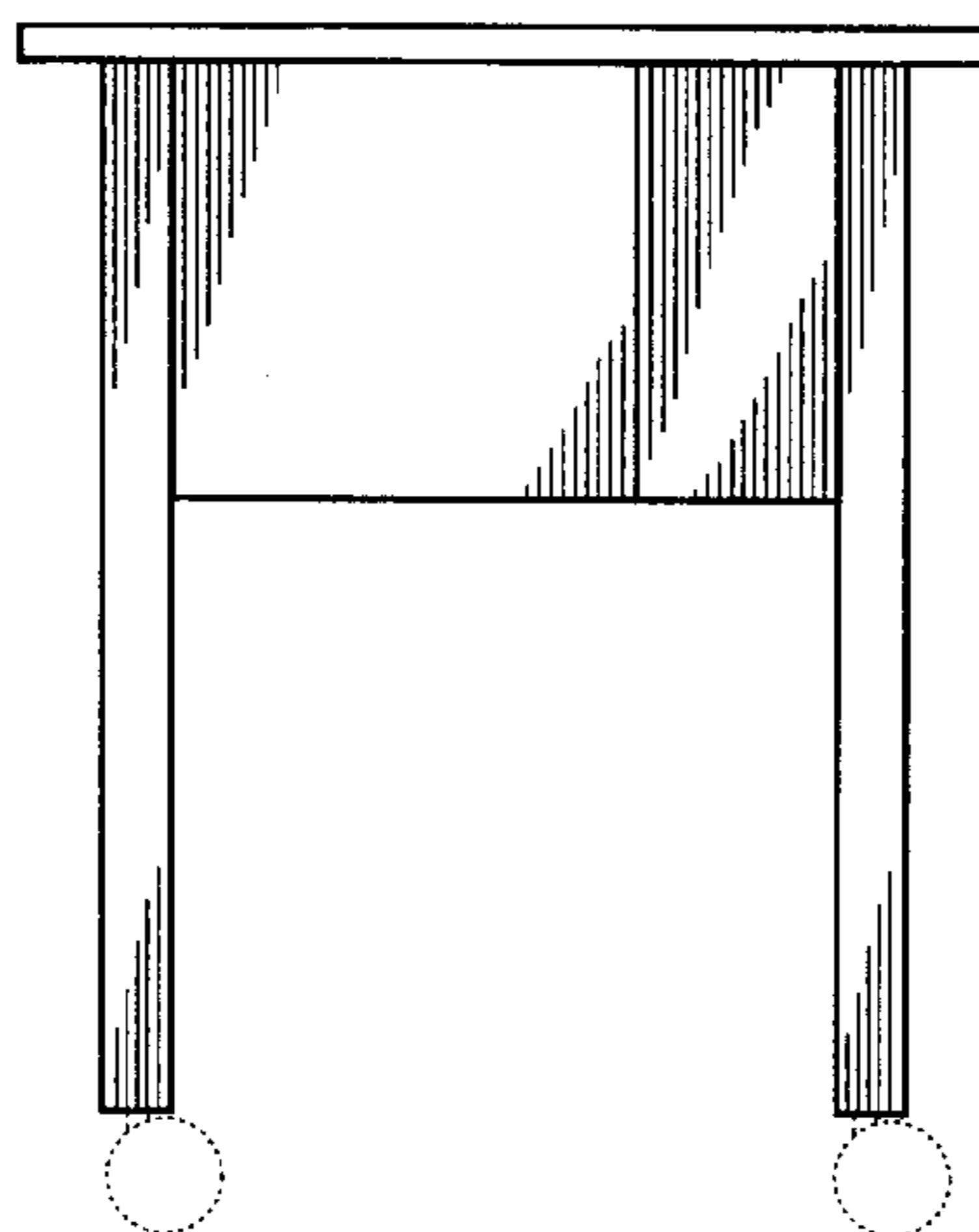


FIG. 4

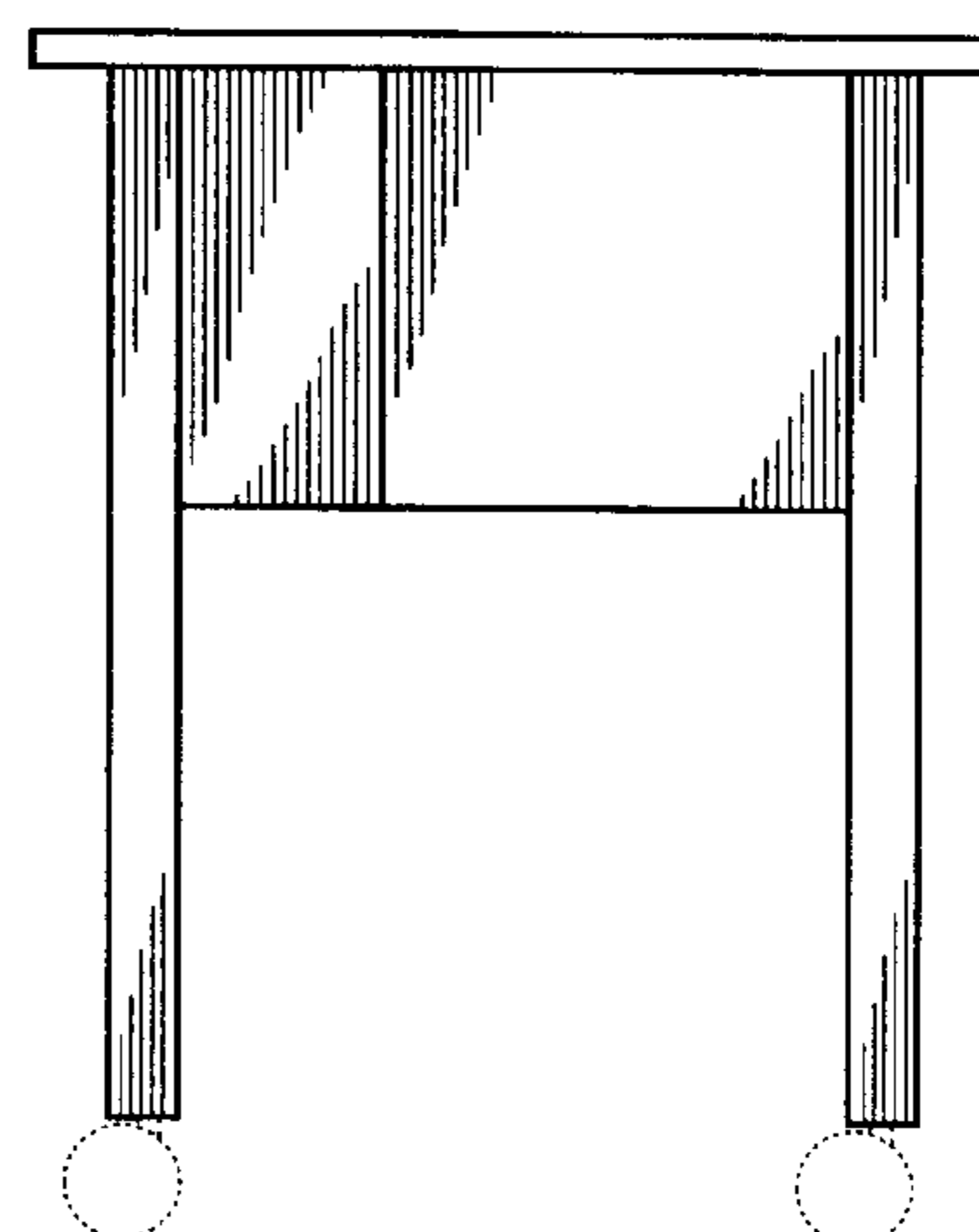


FIG. 5

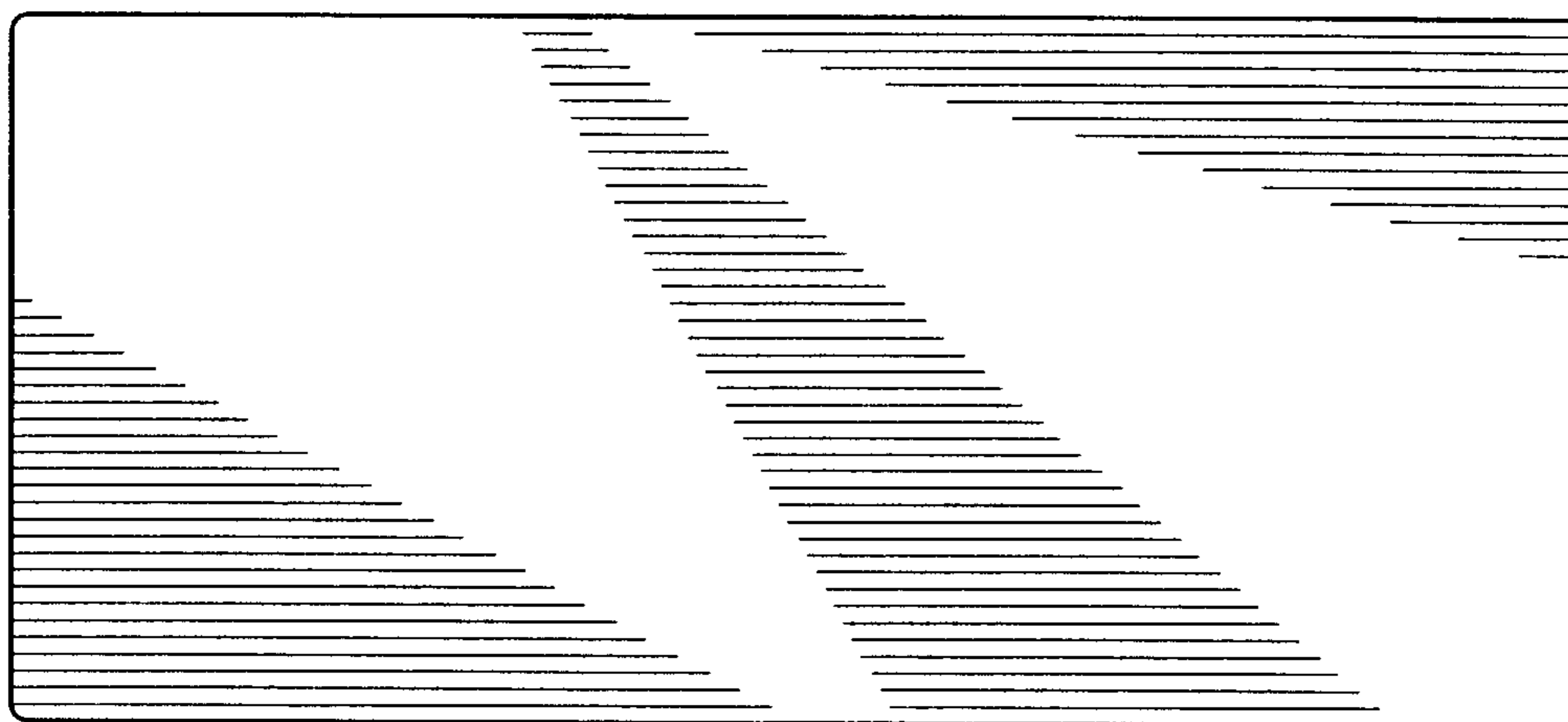


FIG. 6

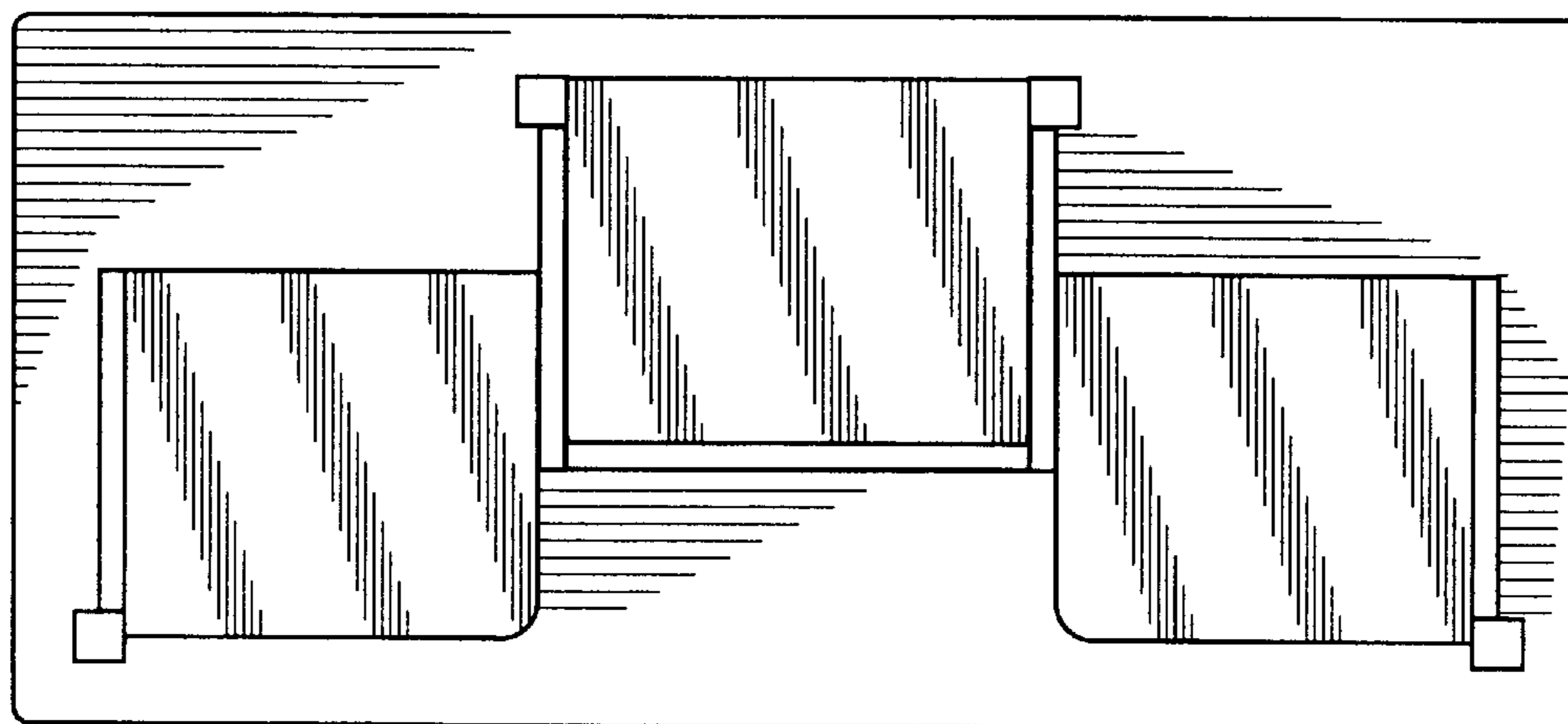


FIG. 7

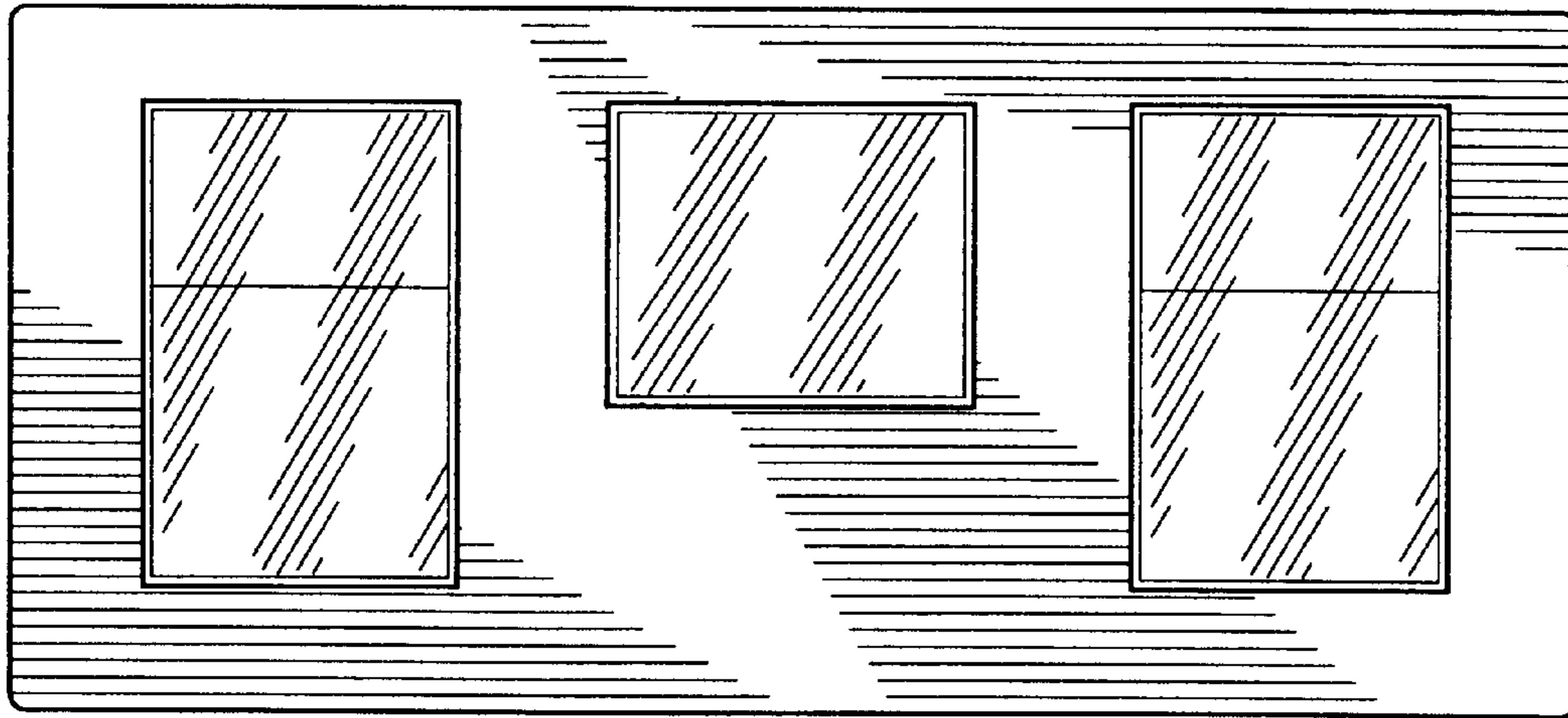


FIG. 8

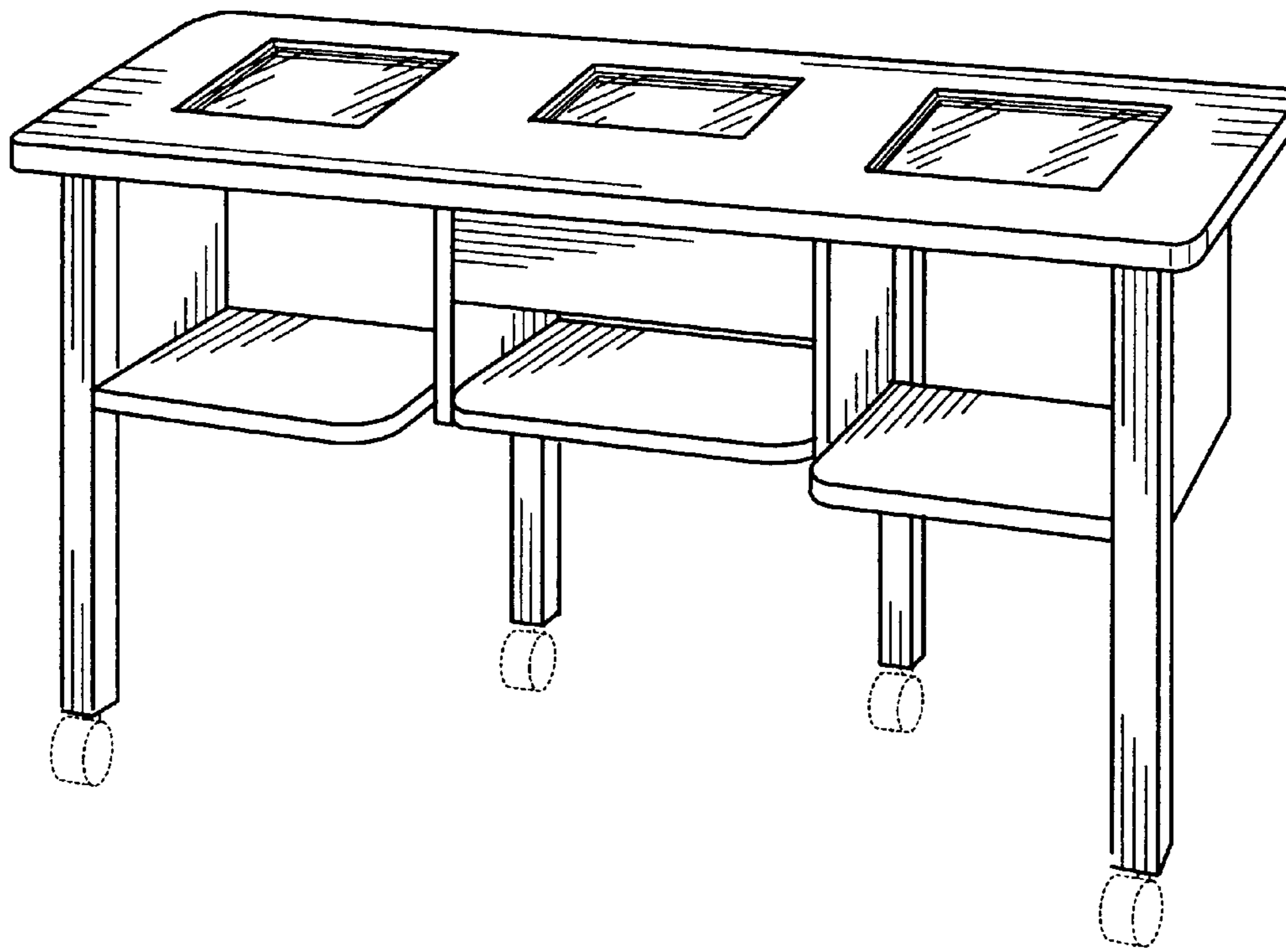


FIG. 9