



US00D538055S

(12) **United States Design Patent**
Kang

(10) **Patent No.:** **US D538,055 S**

(45) **Date of Patent:** **** Mar. 13, 2007**

(54) **CHAIR**

(75) Inventor: **Ming-Shiang Kang**, Tainan Hsien (TW)

(73) Assignee: **Russell International Corporation**, Tainan County (TW)

(**) Term: **14 Years**

(21) Appl. No.: **29/245,742**

(22) Filed: **Dec. 29, 2005**

(51) **LOC (8) Cl.** **06-01**

(52) **U.S. Cl.** **D6/366**

(58) **Field of Classification Search** D6/334-335, D6/356, 364, 365, 366, 367, 368, 374, 498, D6/500-502; 297/452.21, 452.26, 452.29, 297/452.32, 452.35, 452.37, 452.48
See application file for complete search history.

(56) **References Cited**

U.S. PATENT DOCUMENTS

- D408,161 S * 4/1999 Caruso D6/366
- D410,342 S * 6/1999 Dammermann et al. D6/366
- D410,799 S * 6/1999 Meda D6/366

- D456,160 S * 4/2002 Van De Riet et al. D6/366
- D474,051 S * 5/2003 Tseng D6/500
- D482,218 S * 11/2003 Lin D6/500
- D494,768 S * 8/2004 Su D6/366
- D507,713 S * 7/2005 Chen D6/500
- D510,488 S * 10/2005 Su D6/366
- D520,256 S * 5/2006 King D6/374

* cited by examiner

Primary Examiner—Mimosa De

(74) *Attorney, Agent, or Firm*—Rosenberg, Klein & Lee

(57) **CLAIM**

The ornamental design for a chair, as shown and described.

DESCRIPTION

FIG. 1 is a perspective view of a chair showing my new design;

FIG. 2 is a front elevational view thereof;

FIG. 3 is a rear elevational view thereof;

FIG. 4 is a left side elevational view thereof;

FIG. 5 is a right side elevational view thereof;

FIG. 6 is a top plan view thereof; and,

FIG. 7 is a bottom plan view thereof.

1 Claim, 4 Drawing Sheets

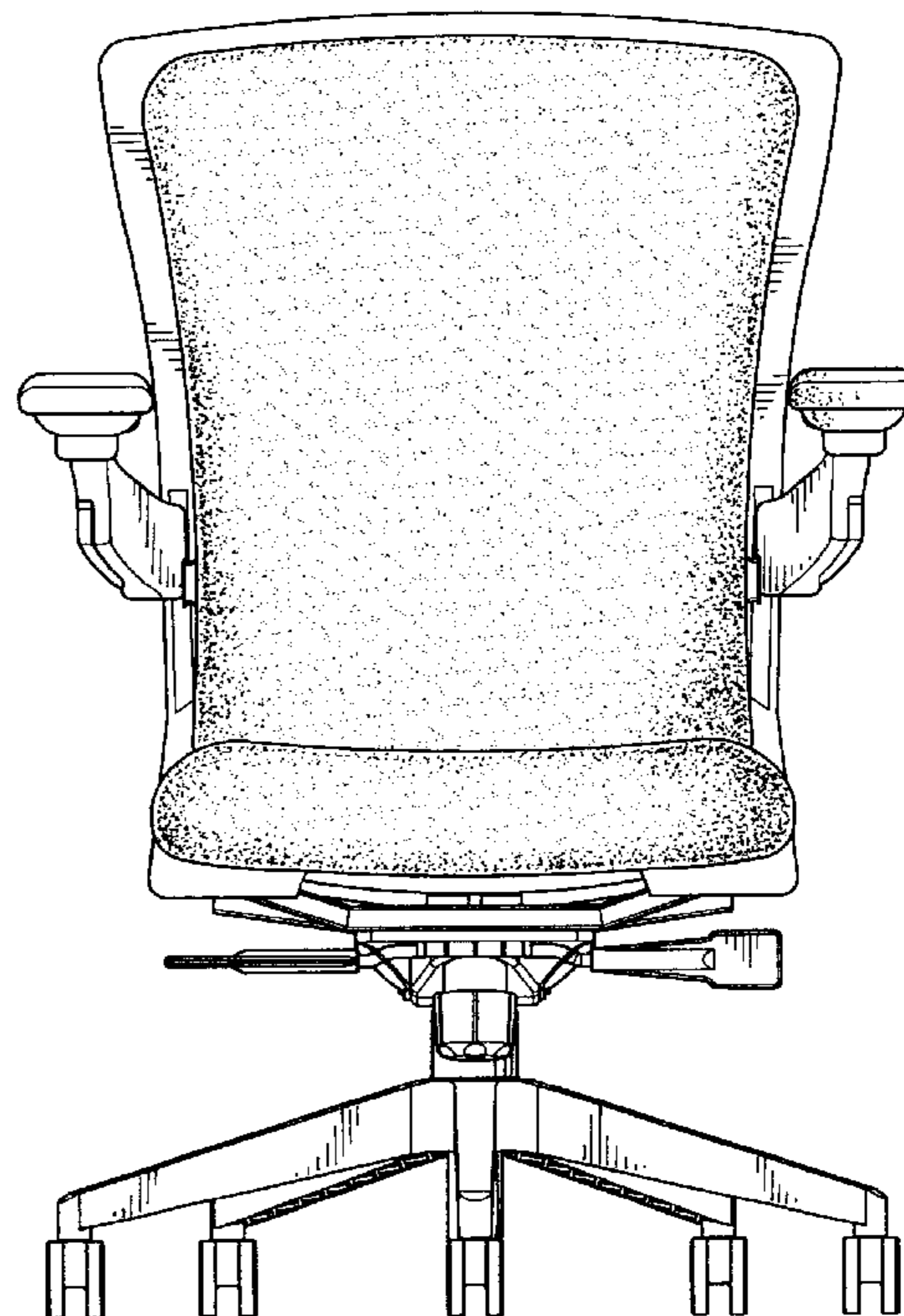




FIG. 1

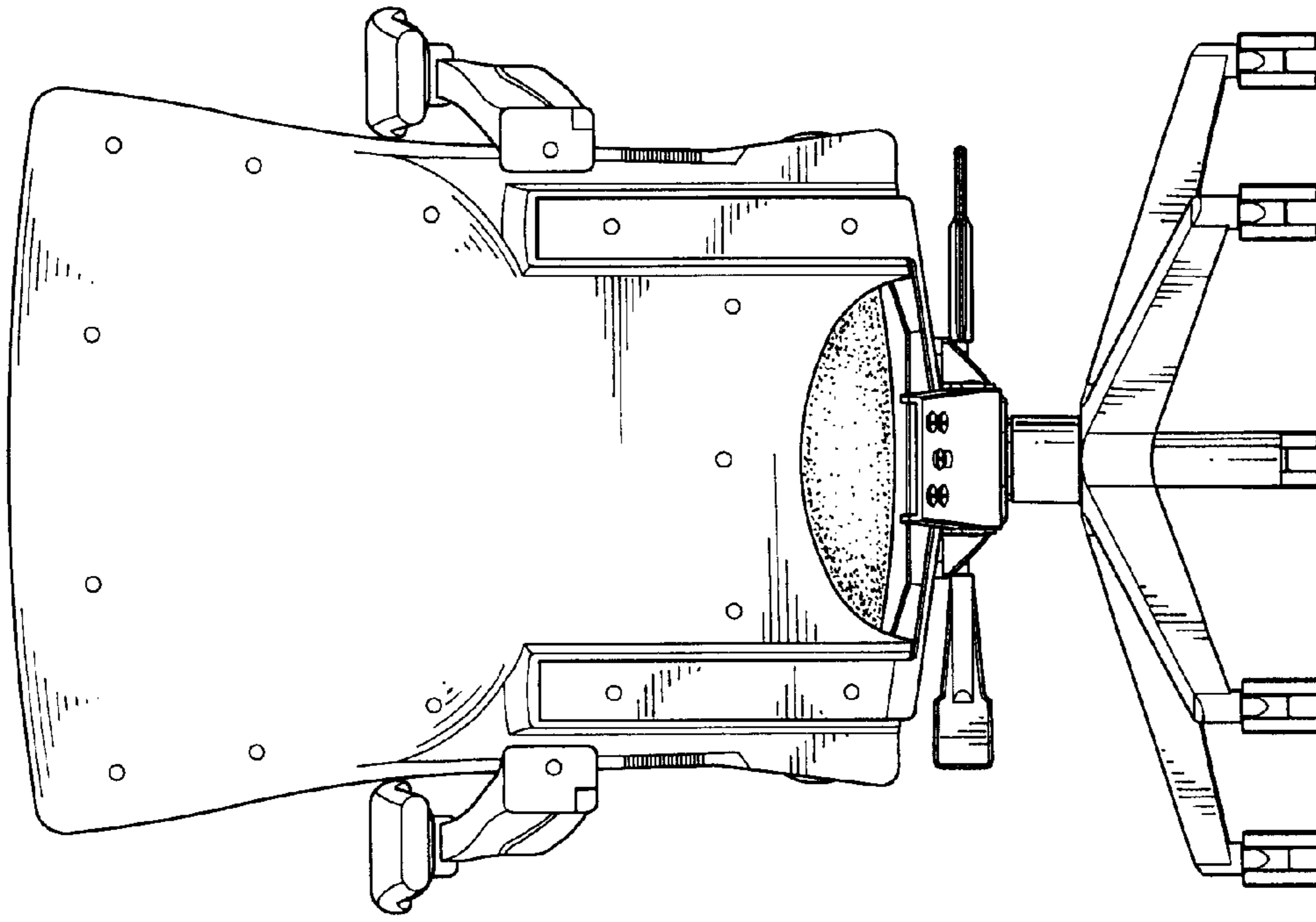


FIG. 3

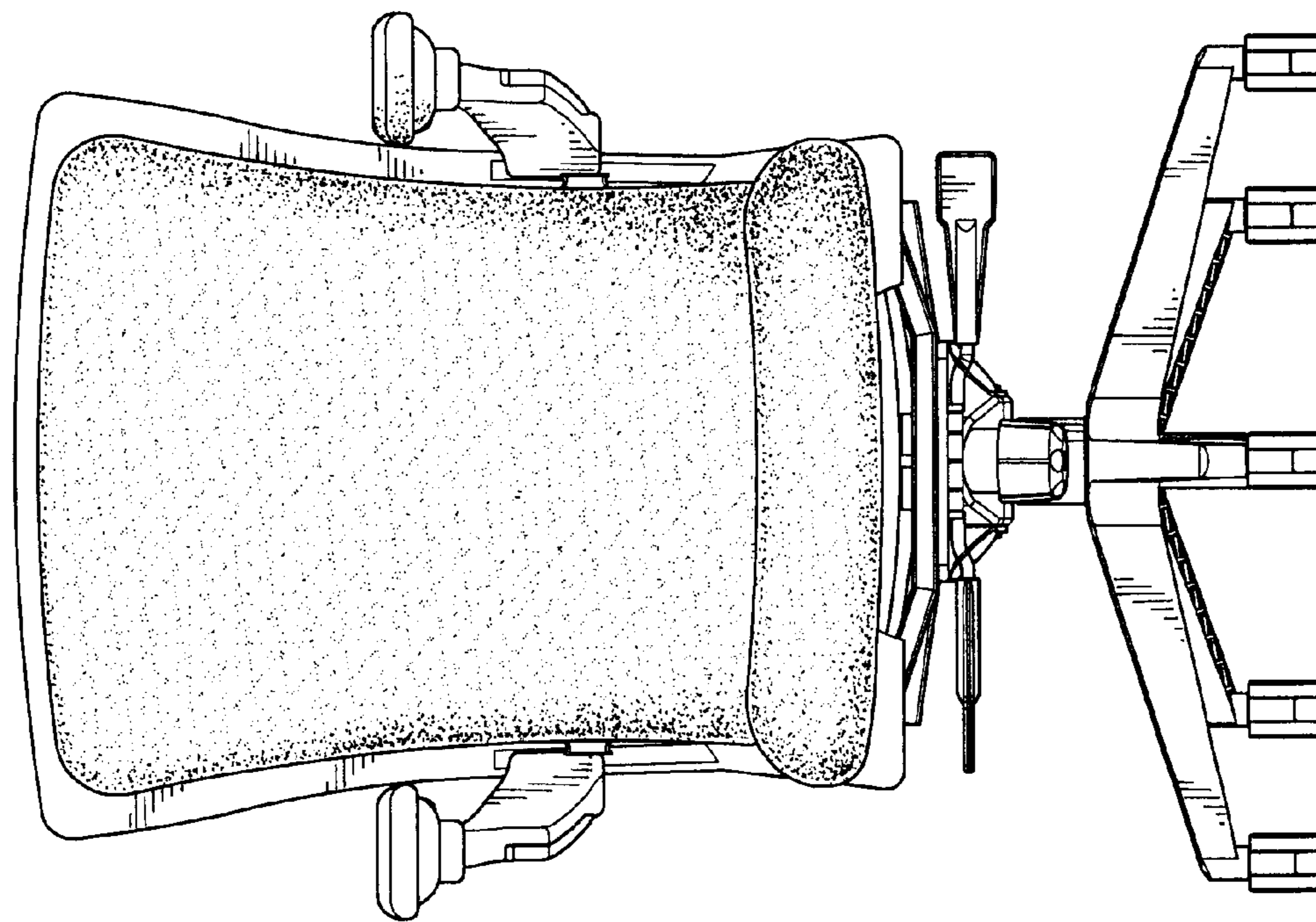


FIG. 2

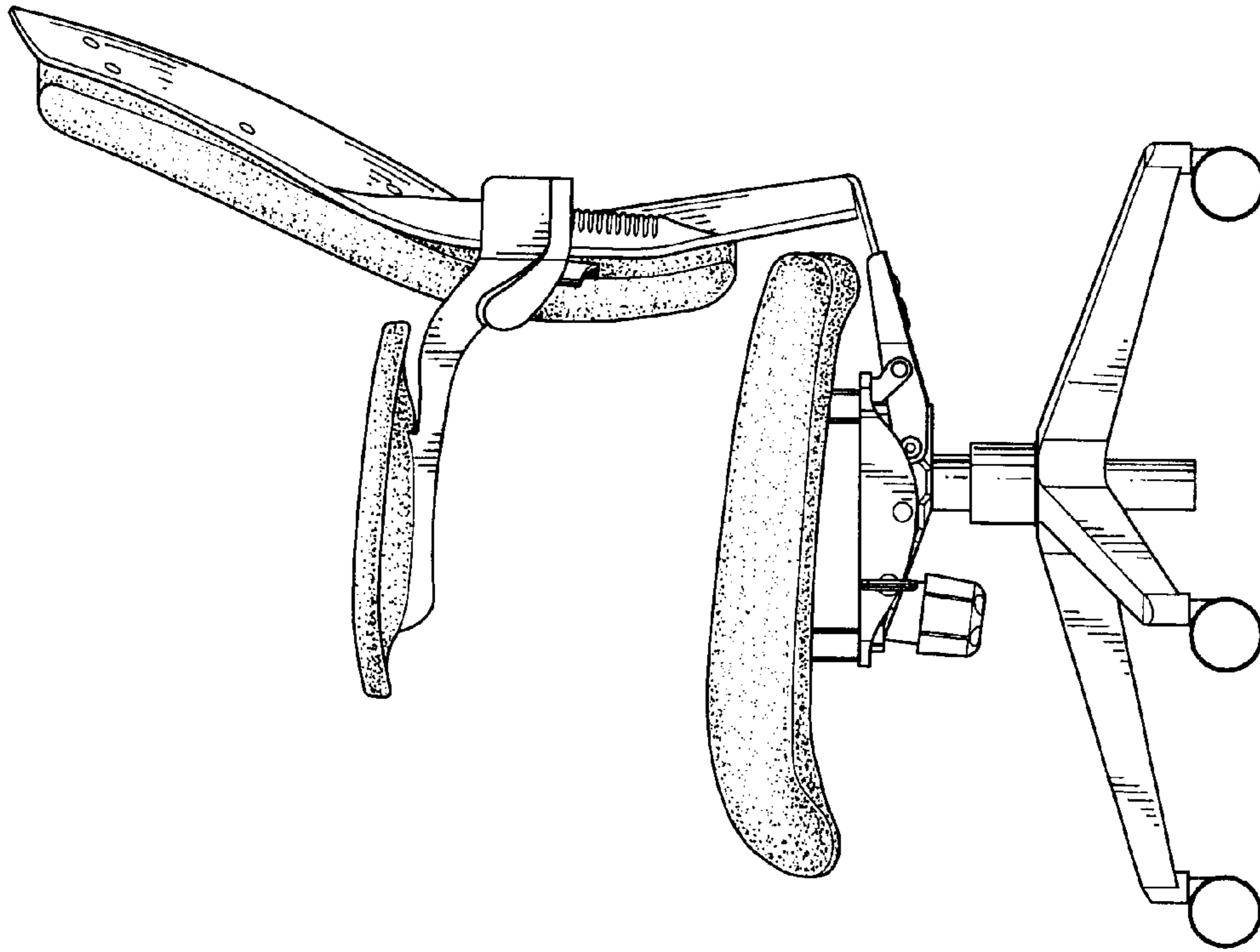


FIG. 5

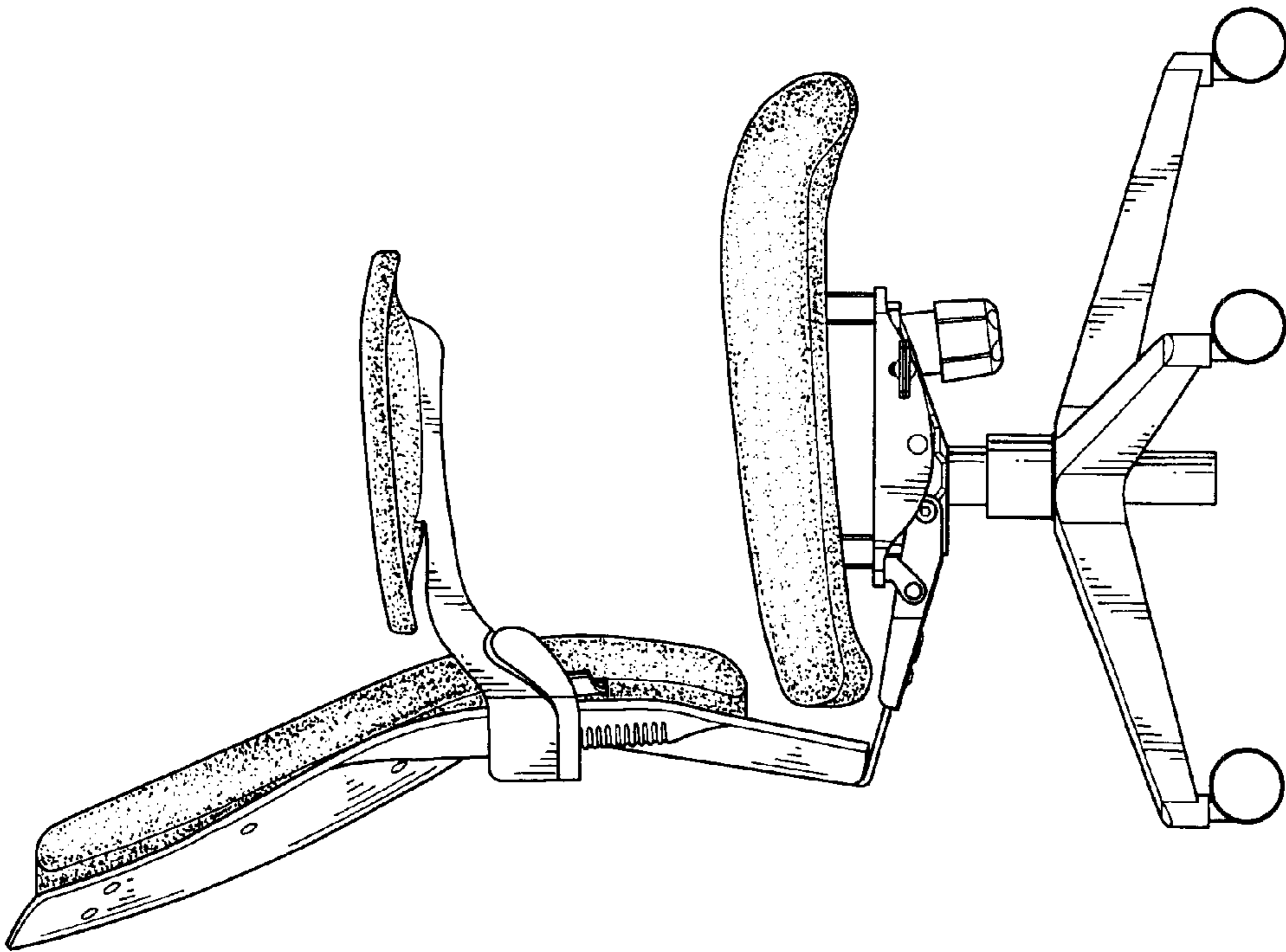


FIG. 4

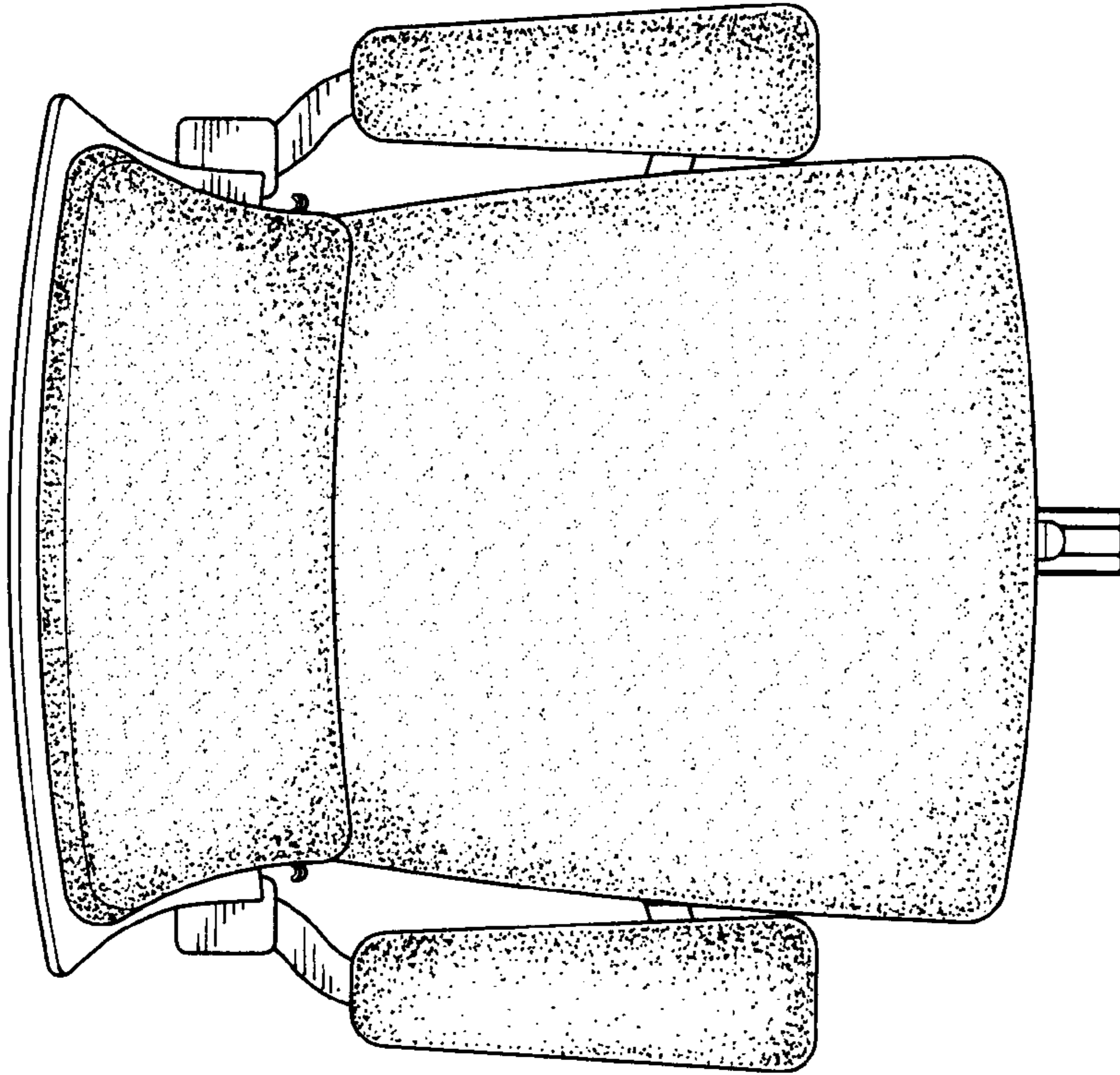


FIG. 6

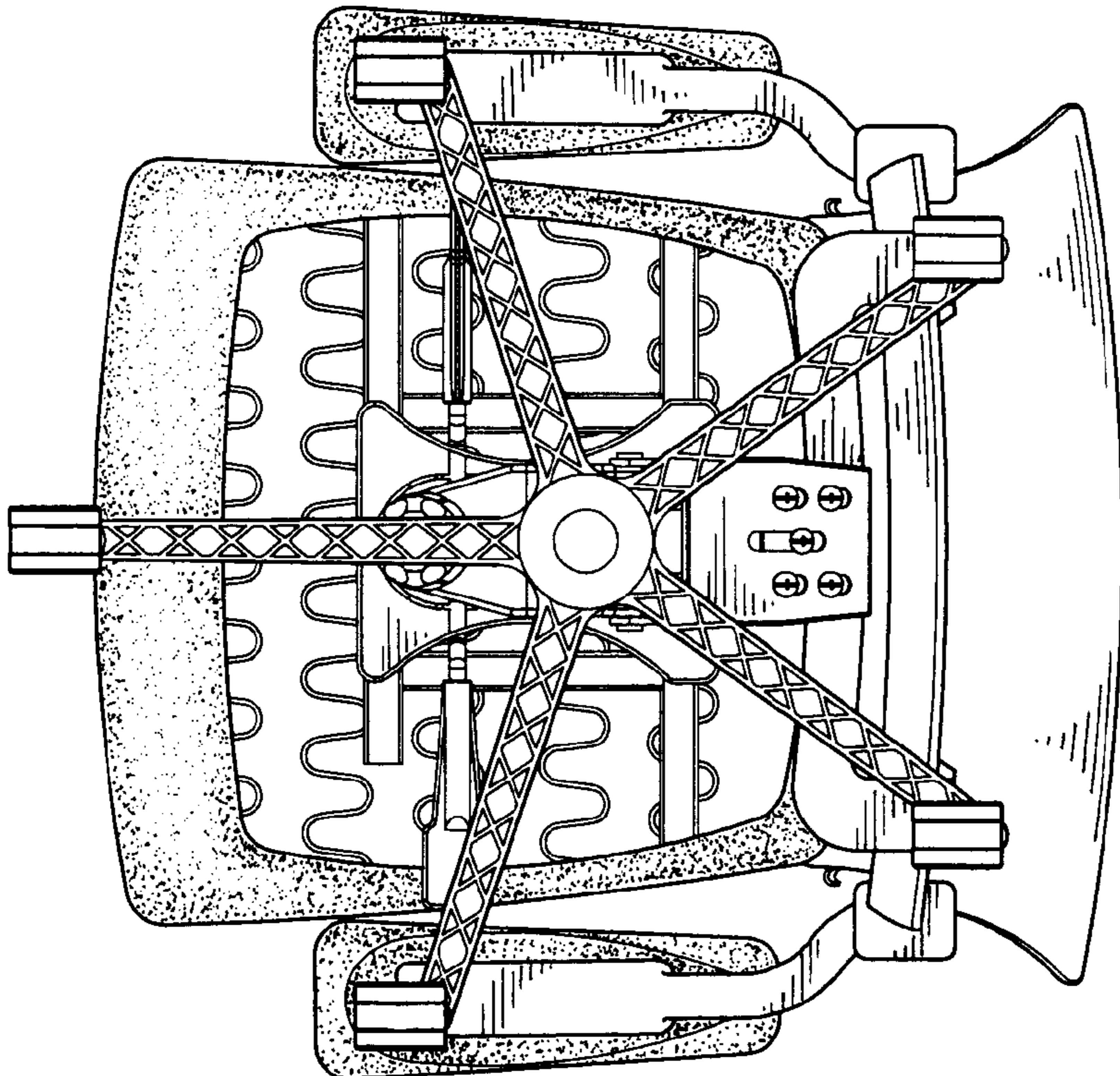


FIG. 7