



US00D538047S

(12) **United States Design Patent**
Draughn

(10) **Patent No.:** **US D538,047 S**

(45) **Date of Patent:** **** Mar. 13, 2007**

(54) **PET BRUSH SHROUD**

(76) **Inventor:** **Larry A. Draughn**, 2028 McPherson St., Asheboro, NC (US) 27203

(**) **Term:** **14 Years**

(21) **Appl. No.:** **29/228,131**

(22) **Filed:** **Apr. 20, 2005**

(51) **LOC (8) Cl.** **30-99**

(52) **U.S. Cl.** **D4/138**

(58) **Field of Classification Search** D4/132-134, D4/136-138, 199; 15/27, 143.1, 159.1, 160, 15/230, 230.11; 132/121, 313; D30/158; 119/600, 602, 603, 608, 612, 615, 663, 664
See application file for complete search history.

(56) **References Cited**

U.S. PATENT DOCUMENTS

D129,908 S	*	10/1941	Sutherland	15/27 X
2,780,829 A		2/1957	Cohen	15/365
2,800,879 A		7/1957	Quick	119/631
3,308,500 A		3/1967	Woodruff	15/369
3,574,885 A		4/1971	Jones	15/393
3,955,238 A		5/1976	Remijas	15/402
4,190,924 A		3/1980	Nicholson	15/402
D281,654 S	*	12/1985	Bladh et al.	D4/122

4,799,457 A		1/1989	Gordon	119/631
D307,067 S	*	4/1990	Kuhl et al.	D30/158
5,067,444 A		11/1991	Parker	119/606
5,095,853 A		3/1992	Kruger	119/606
5,211,131 A		5/1993	Plyler	119/606
5,435,327 A		7/1995	Ho	132/118
5,502,873 A		4/1996	Hogan	15/393
D417,551 S	*	12/1999	Pinchuk	D4/136
6,055,938 A		5/2000	Klein	119/627
6,367,421 B1	*	4/2002	Deacon	119/603
D460,272 S	*	7/2002	Fong	D4/138

* cited by examiner

Primary Examiner—Alan P. Douglas
Assistant Examiner—Lavone D. Tabor

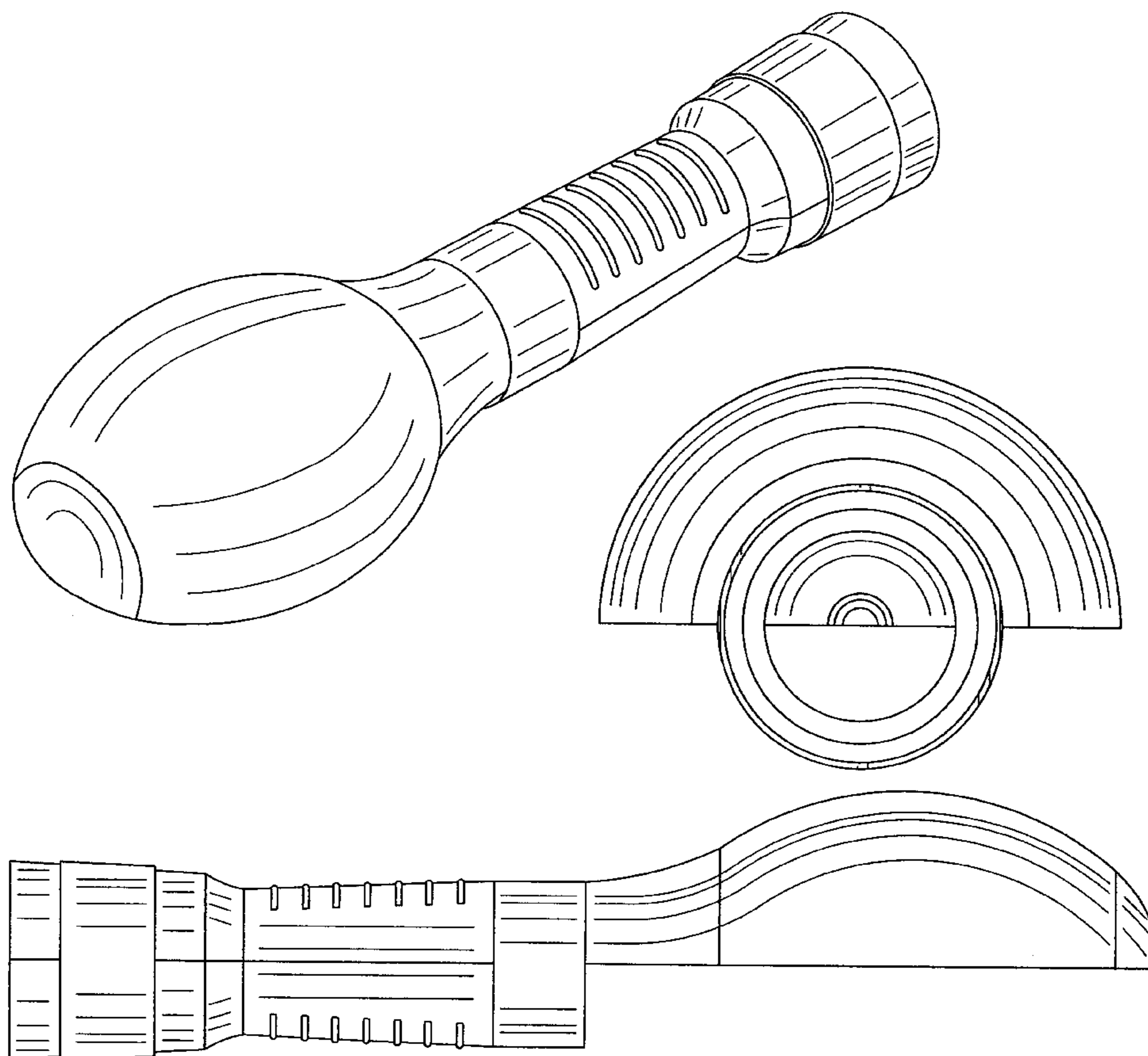
(57) **CLAIM**

The ornamental design for a pet brush shroud, as shown and described.

DESCRIPTION

FIG. 1 is a top, front, right side perspective view of a pet brush shroud embodying my design;
FIG. 2 is a bottom plan view thereof;
FIG. 3 is an enlarged front elevational view thereof;
FIG. 4 is a left side elevational view thereof; and,
FIG. 5 is an enlarged rear elevational view thereof.

1 Claim, 3 Drawing Sheets



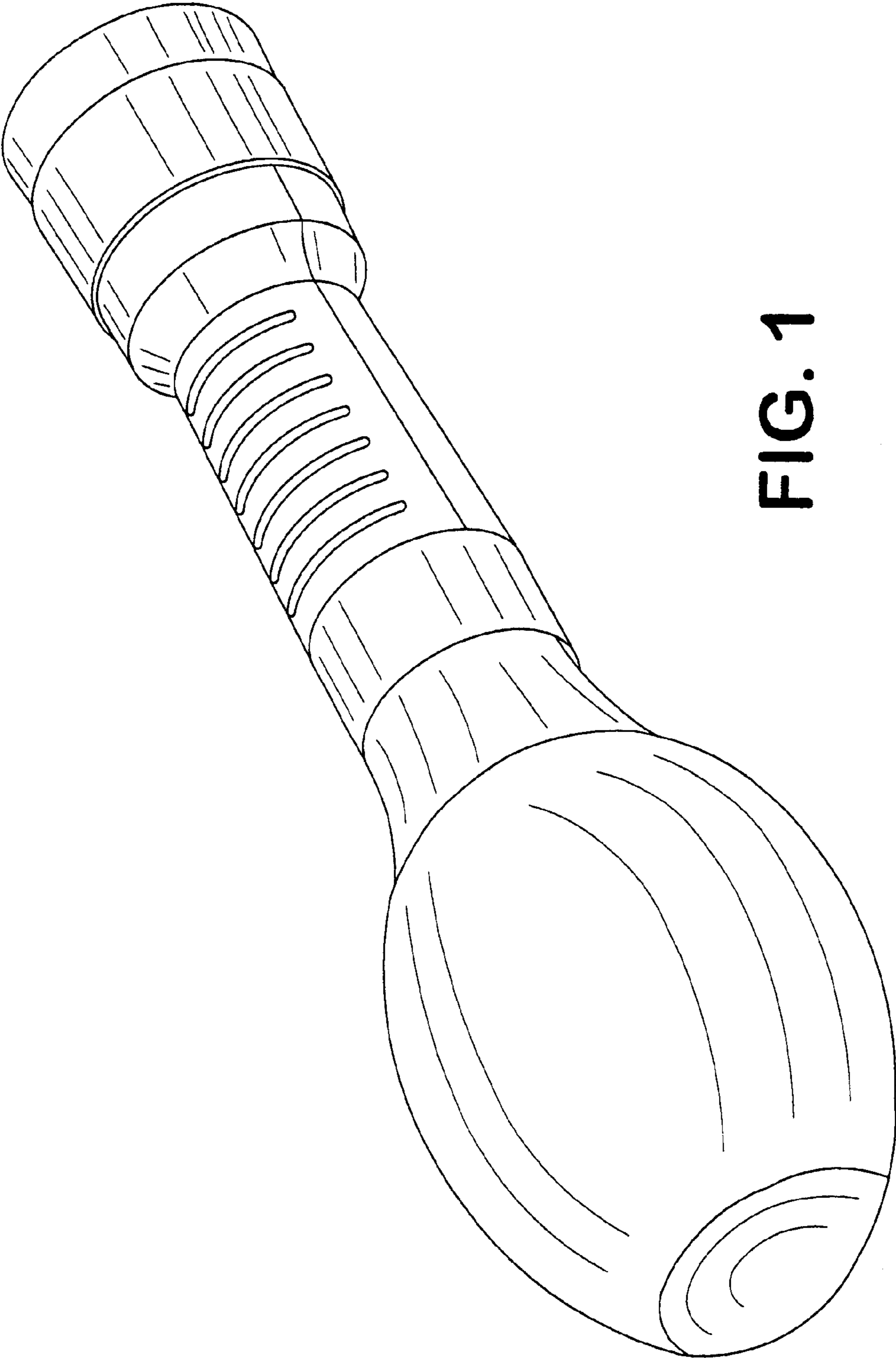


FIG. 1

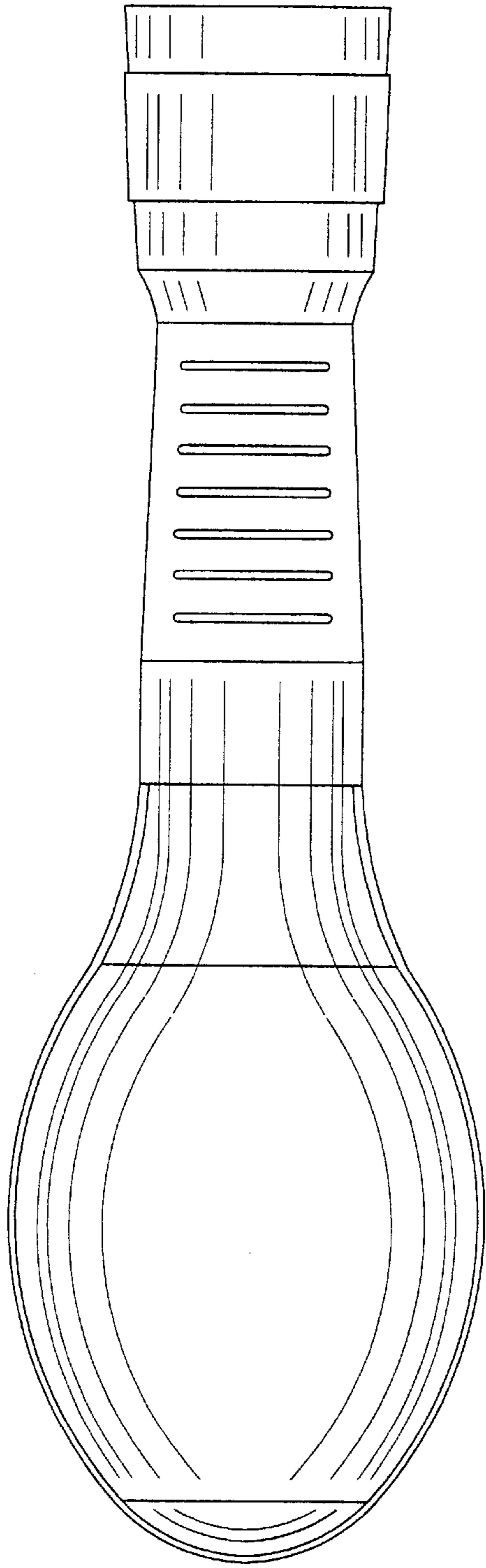


FIG. 2

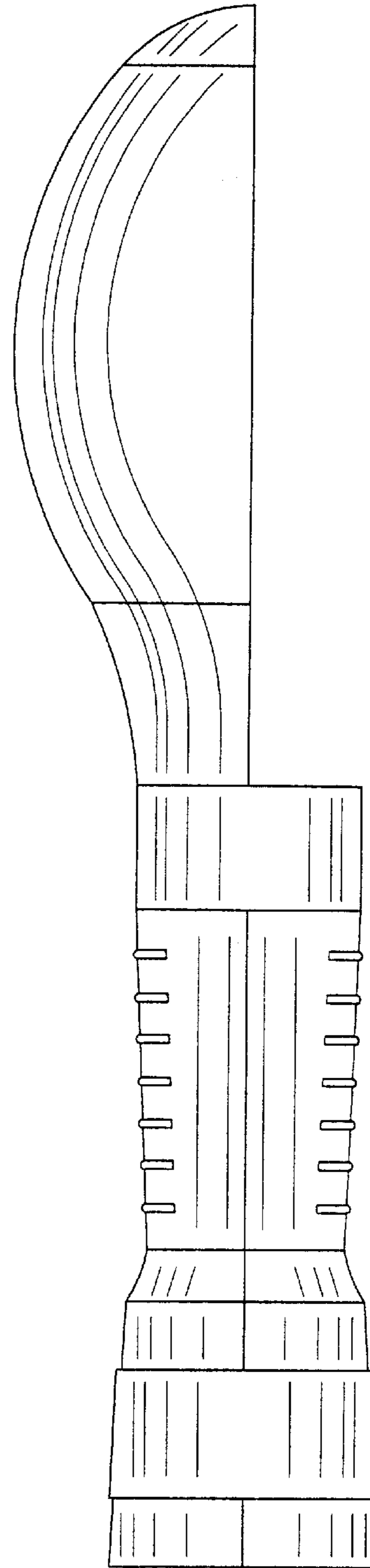


FIG. 4

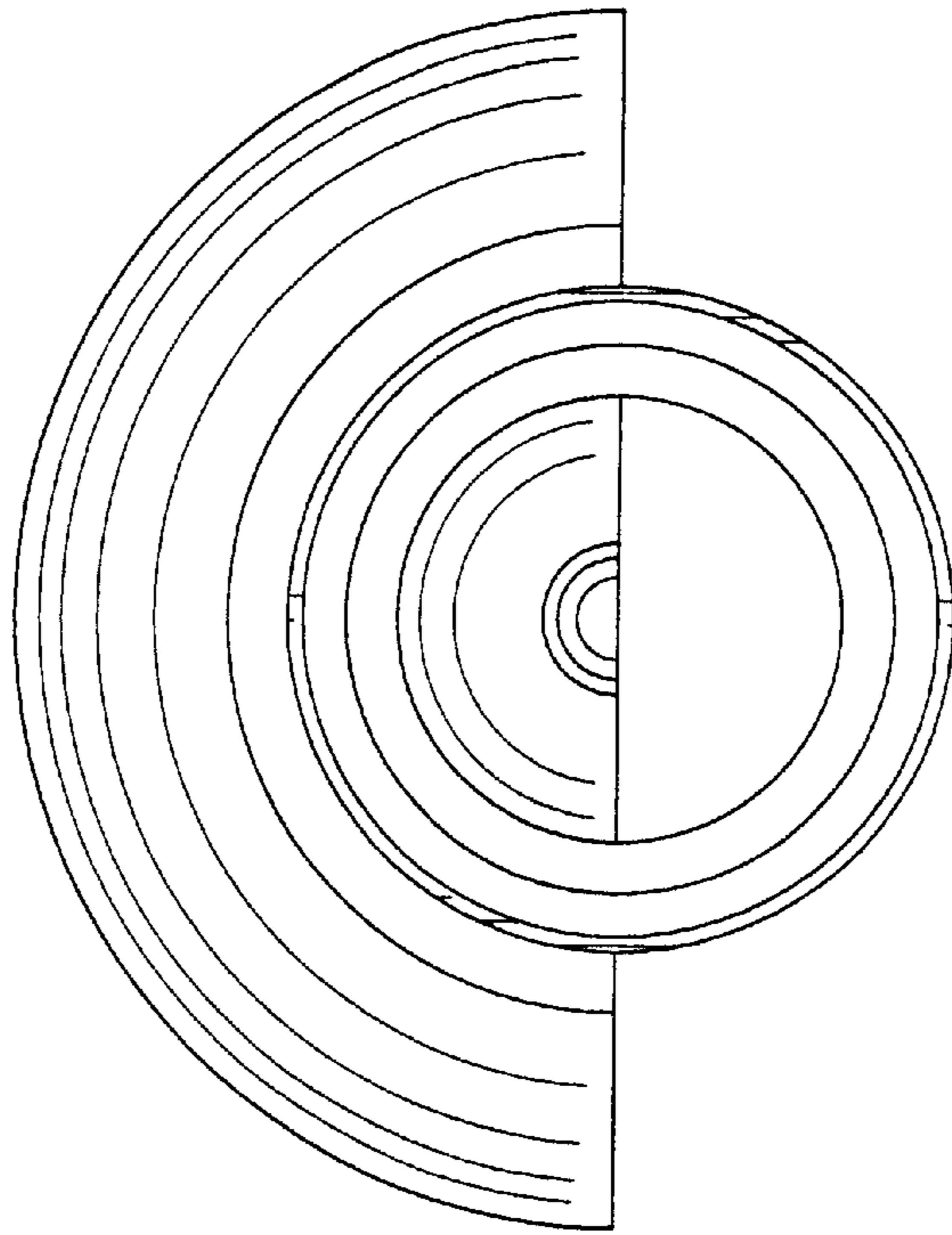


FIG. 5

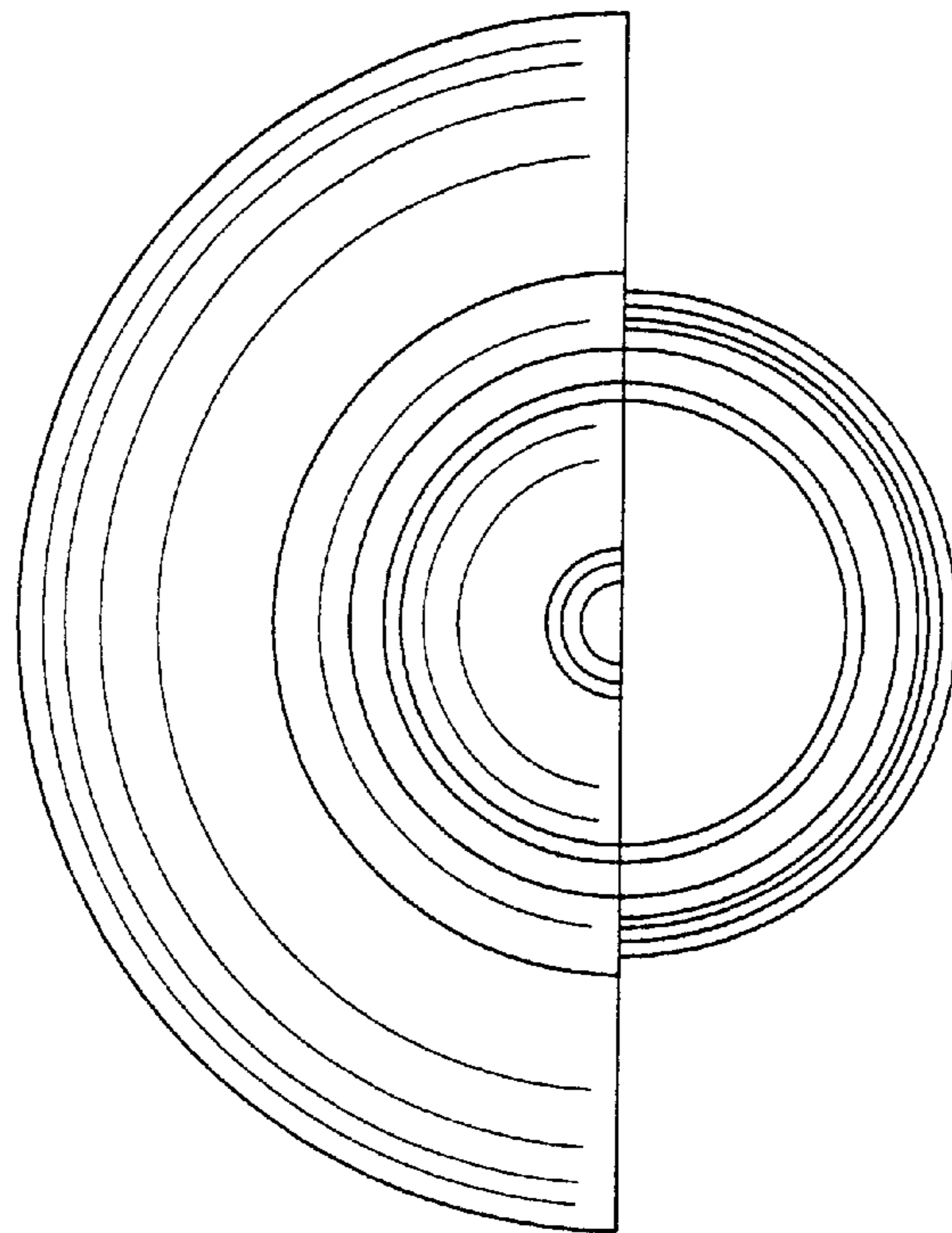


FIG. 3