



US00D538042S

(12) **United States Design Patent**
Suggs

(10) **Patent No.:** **US D538,042 S**

(45) **Date of Patent:** **** Mar. 13, 2007**

(54) **GOLF BAG DIVIDER TOP**

(75) Inventor: **Gregory M. Suggs**, Phoenix, AZ (US)

(73) Assignee: **Karsten Manufacturing Corporation**, Phoenix, AZ (US)

(**) Term: **14 Years**

(21) Appl. No.: **29/256,322**

(22) Filed: **Mar. 17, 2006**

(51) **LOC (8) Cl.** **03-01**

(52) **U.S. Cl.** **D3/320**

(58) **Field of Classification Search** D3/318,
D3/319, 320, 321, 328, 328.1, 254, 255;
150/159, 160; 206/315.2, 315.3, 315.4, 315.5,
206/315.6, 315.7, 315.8, 315.11; 211/70.2;
248/96; 280/DIG. 6; 473/287

See application file for complete search history.

(56) **References Cited**

U.S. PATENT DOCUMENTS

4,596,328	A	6/1986	Solheim	
4,600,100	A	7/1986	Solheim	
4,667,820	A	5/1987	Solheim	
5,358,109	A	* 10/1994	Nichols 206/315.3
D405,607	S	* 2/1999	Sundara et al. D3/255
D422,789	S	* 4/2000	Sundara et al. D3/320
D431,111	S	* 9/2000	Ryan D3/320
D454,249	S	3/2002	Schmidt	
6,494,416	B2	* 12/2002	Wang 248/96

D513,876	S	1/2006	Solheim	
D513,877	S	1/2006	Solheim	
D513,878	S	1/2006	Anderson	
D520,752	S	* 5/2006	Solheim et al. D3/320

* cited by examiner

Primary Examiner—Louis S. Zarfes

Assistant Examiner—Monica A. Weingart

(74) *Attorney, Agent, or Firm*—Darrell F. Marquette

(57) **CLAIM**

The ornamental design for a golf bag divider top, as shown and described.

DESCRIPTION

FIG. 1 is a perspective view of a golf bag divider top showing my new design;

FIG. 2 is a top view of the golf bag divider top shown in FIG. 1;

FIG. 3 is a bottom view of the golf bag divider top shown in FIG. 1.

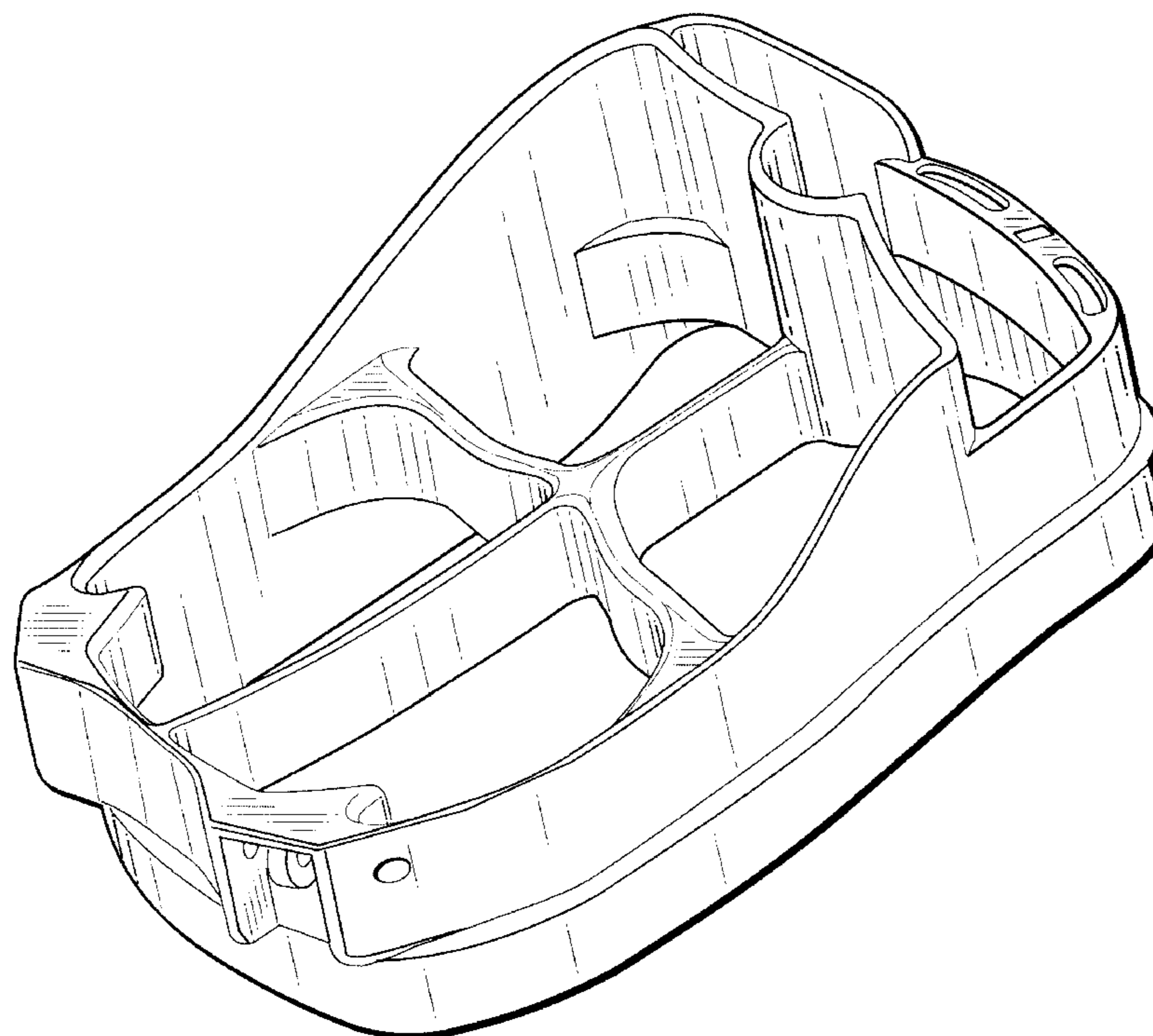
FIG. 4 is a side elevational view of the golf bag divider top taken from the right in FIG. 2,

FIG. 5 is a side elevational view of the golf bag divider top taken from the left in FIG. 2.

FIG. 6 is a front elevational view of the golf bag divider top shown in FIG. 1; and,

FIG. 7 is a rear elevational view of the golf bag divider top shown in FIG. 1.

1 Claim, 6 Drawing Sheets



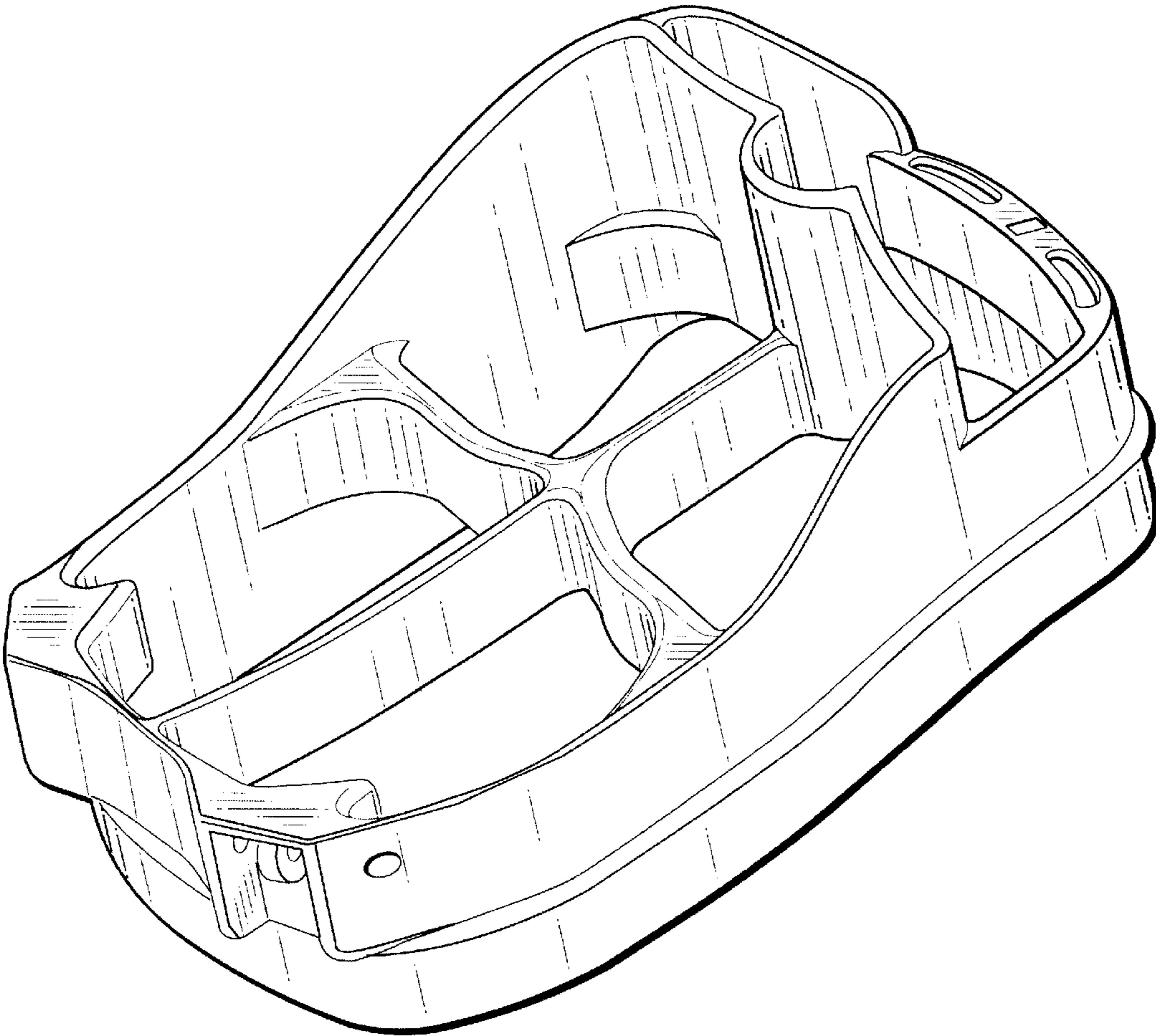


Fig. 1

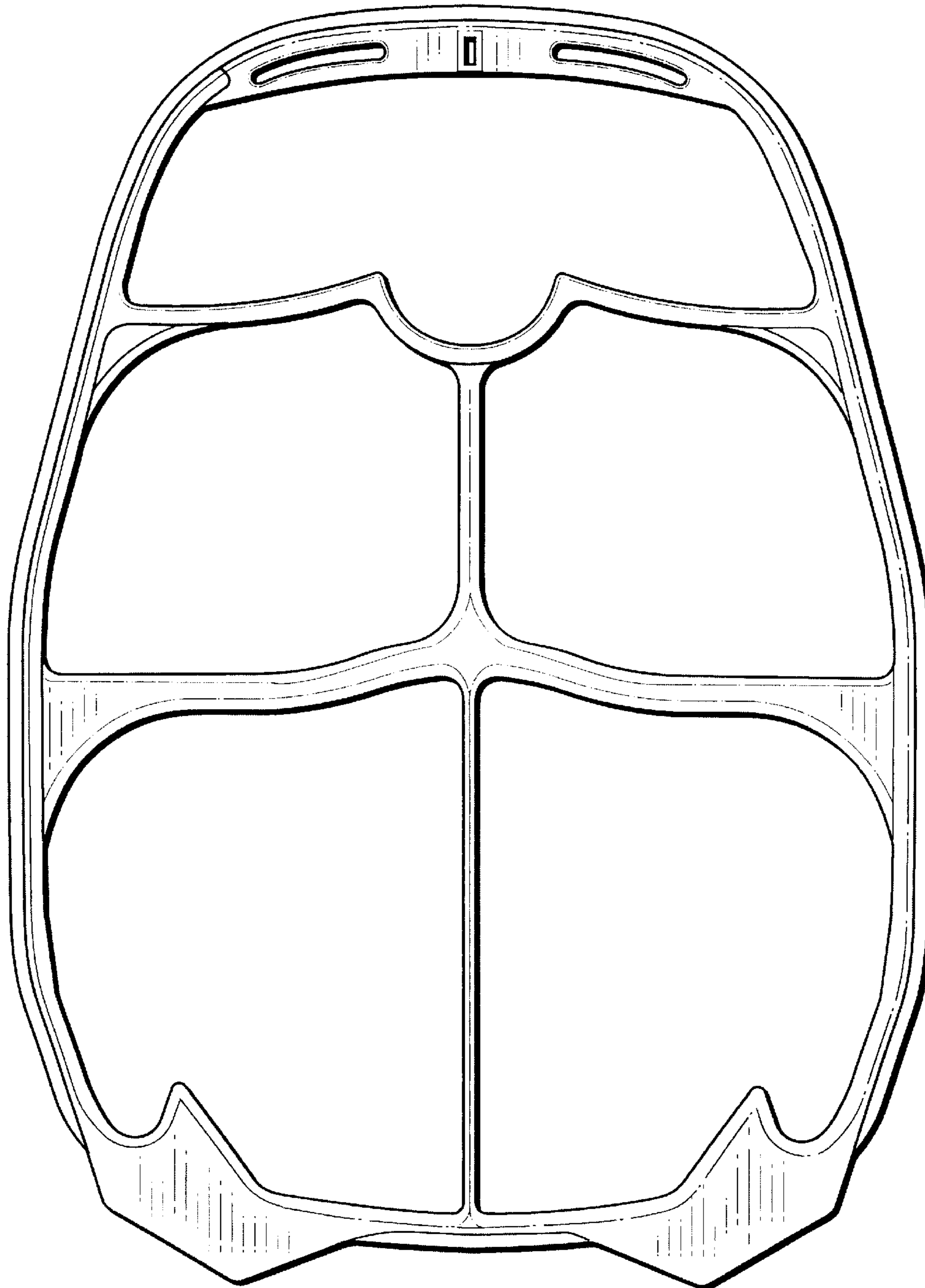


Fig. 2

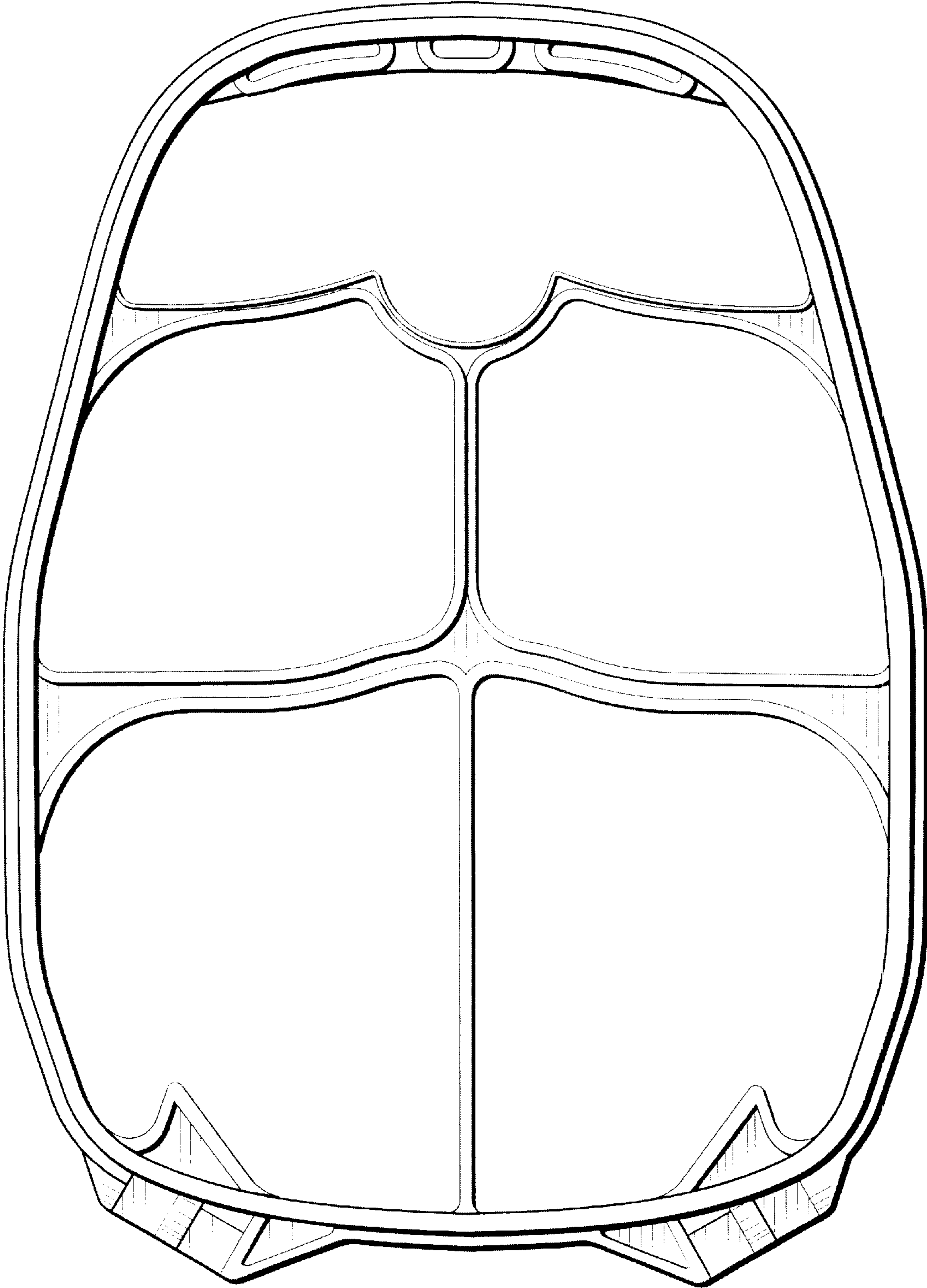


Fig. 3



Fig. 4



Fig. 5

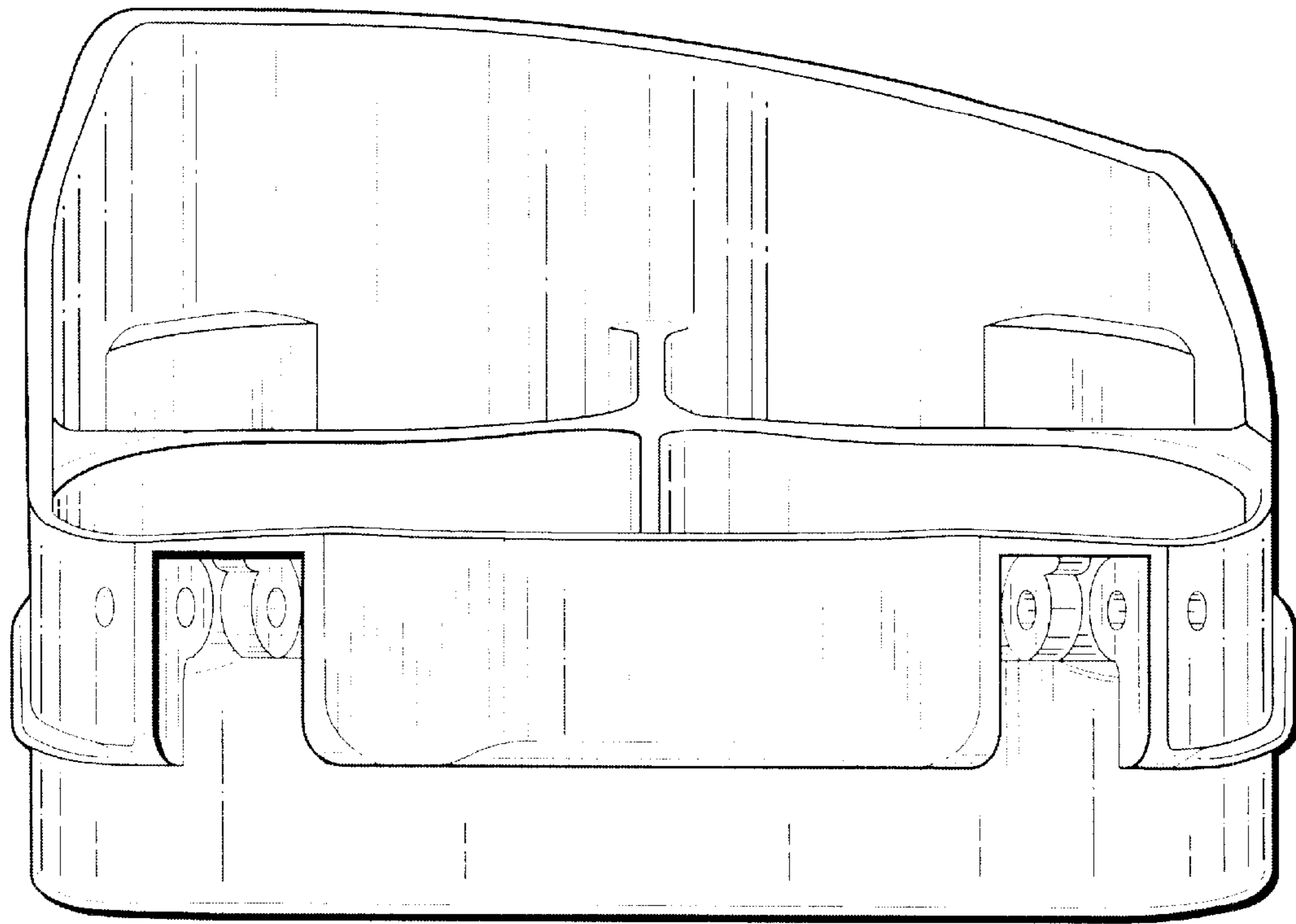


Fig.6

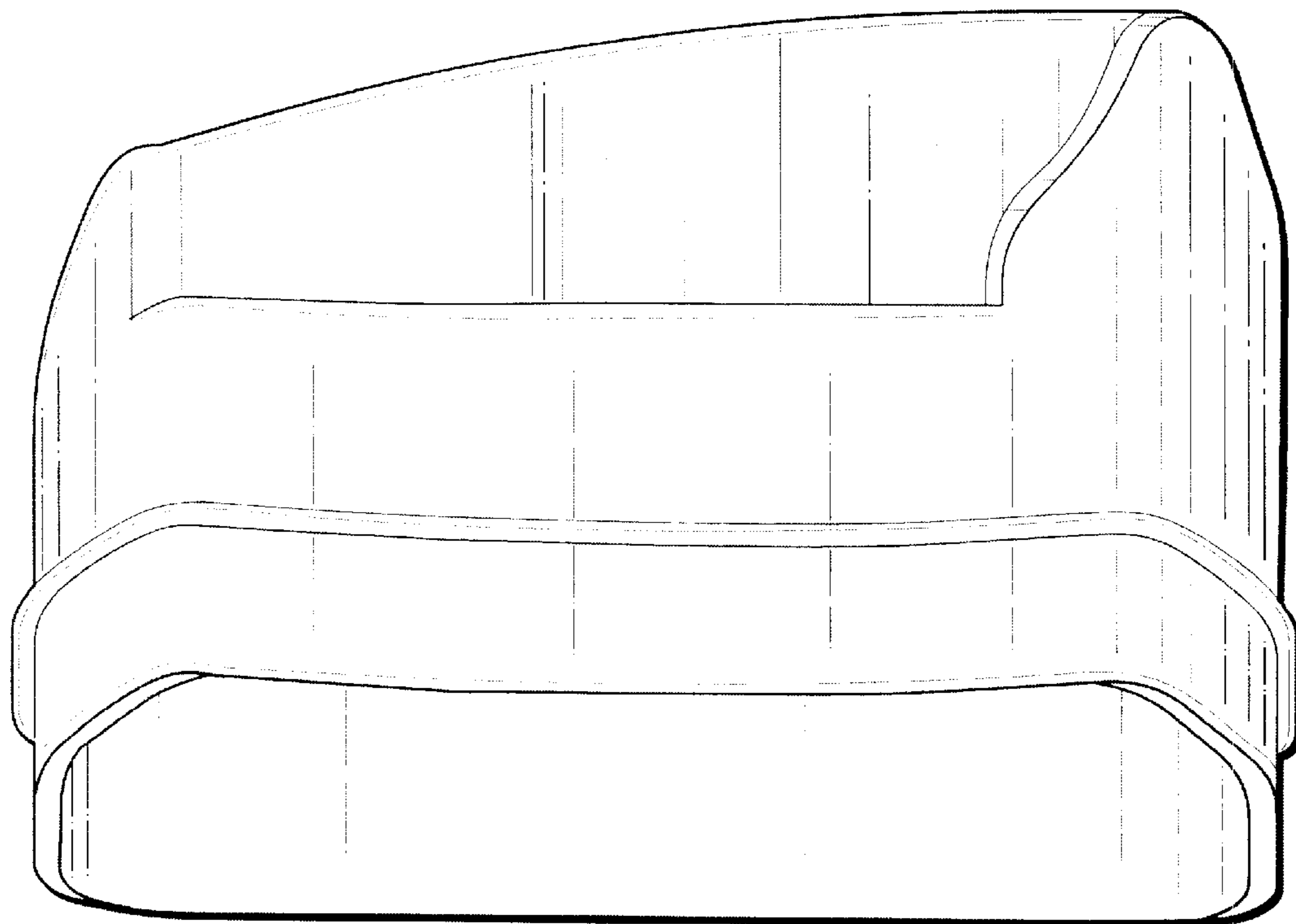


Fig.7