

US00D538032S

(12) **United States Design Patent**
Rosen et al.

(10) **Patent No.:** **US D538,032 S**
(45) **Date of Patent:** **** Mar. 13, 2007**

(54) **WRITING IMPLEMENT CASE WITH HANDLE**

(75) Inventors: **Lawrence I. Rosen**, Mendham, NJ (US); **Parviz Daftari**, Summit, NJ (US)

(73) Assignee: **Mega Brands International**, Zug (CH)

(**) Term: **14 Years**

(21) Appl. No.: **29/213,884**

(22) Filed: **Sep. 24, 2004**

(51) **LOC (8) Cl.** **03-01**

(52) **U.S. Cl.** **D3/206**

(58) **Field of Classification Search** D3/206,
D3/273, 274, 281, 282, 283, 294, 295, 276,
D3/905, 205, 201, 284; 190/110, 111; 206/349,
206/372, 373, 378, 379

See application file for complete search history.

(56) **References Cited**

U.S. PATENT DOCUMENTS

D315,446 S	*	3/1991	Dietterich et al.	D3/206
D338,496 S	*	8/1993	Tarozzi	D19/85
5,746,316 A	*	5/1998	La Barre	206/379
D434,561 S	*	12/2000	Vasudeva	D3/282
6,283,291 B1	*	9/2001	Vasudeva et al.	206/373
D466,296 S	*	12/2002	Hellenberg-Hubar	D3/295
D468,531 S	*	1/2003	Hsu	D3/282
D478,725 S	*	8/2003	Vasudeva et al.	D3/282
D511,040 S	*	11/2005	Barrios et al.	D3/282
D512,221 S	*	12/2005	Allan et al.	D3/282
2003/0192808 A1		10/2003	Clarizio et al.		

OTHER PUBLICATIONS

U.S. Appl. No. 29/213,893 entitled "Writing Implement Case", filed Sep. 24, 2004, Inventors: L. I. Rosen and P. Daftari.

U.S. Appl. No. 29/213,883 entitled "Writing Implement Case", filed Sep. 24, 2004, Inventors: L. I. Rosen and P. Daftari.

U.S. Appl. No. 29/213,885 entitled "Writing Implement Case", filed Sep. 24, 2004, Inventors: L. I. Rosen and P. Daftari.

* cited by examiner

Primary Examiner—Louis S. Zarfes

Assistant Examiner—Kathleen Sims

(74) *Attorney, Agent, or Firm*—McCarter & English, LLP

(57) **CLAIM**

The ornamental design for a writing implement case with handle, as shown and described.

DESCRIPTION

FIG. 1 is a front and top perspective view of a writing implement case with handle showing our new design, the case with handle having a generally opaque body and a generally transparent lid, which is shown in a closed position;

FIG. 2 is a left side elevational view thereof;

FIG. 3 is a right side elevational view thereof;

FIG. 4 is a front elevational view thereof;

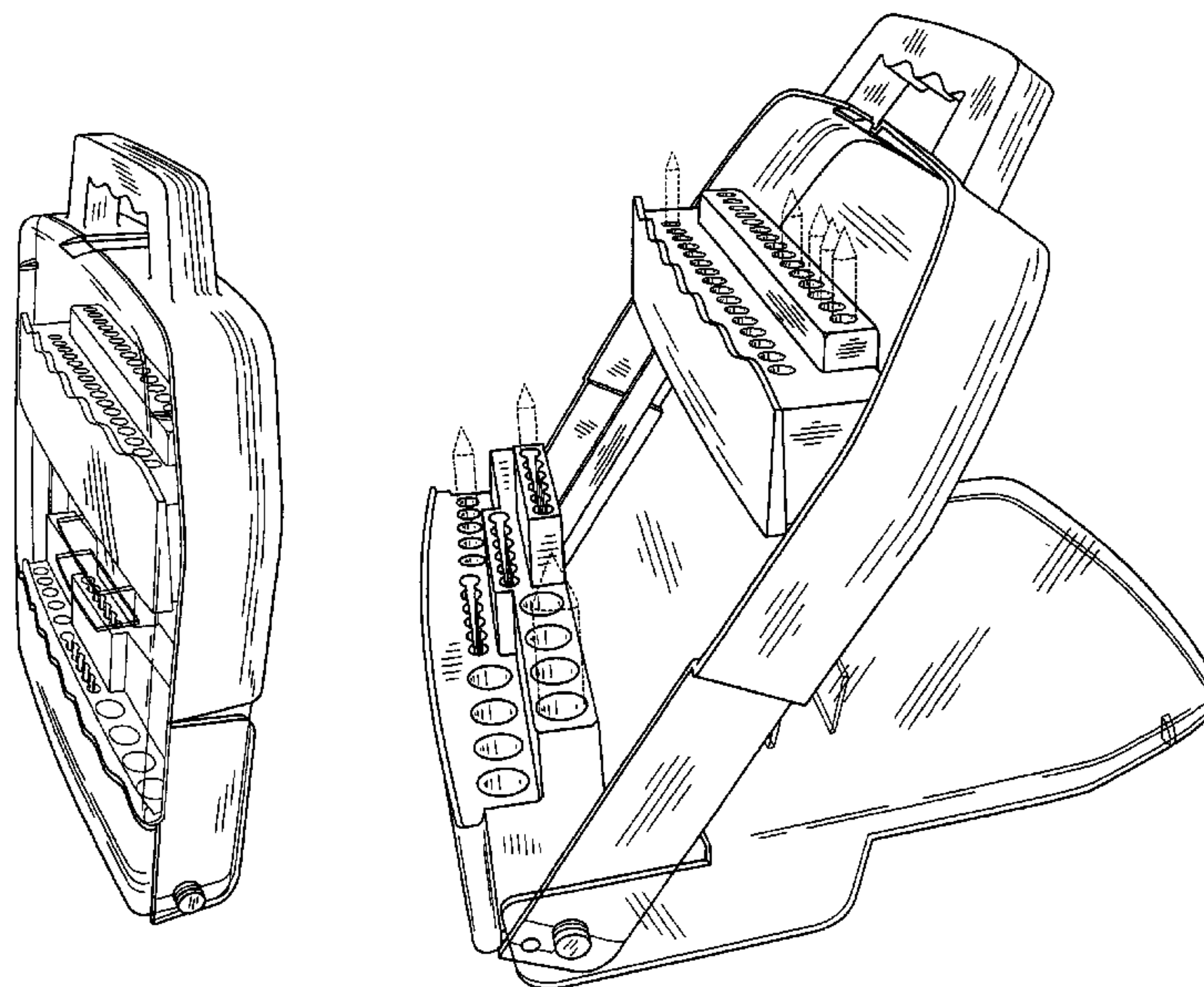
FIG. 5 is a rear elevational view thereof;

FIG. 6 is a top plan view thereof;

FIG. 7 is a bottom plan view thereof; and,

FIG. 8 is a front and top perspective view of the case with handle depicted in FIG. 1, the case with handle being shown with the lid in a fully open position to form a display stand for writing implements, which are indicated in broken lines as environmental structure and which form no part of the claimed design.

1 Claim, 4 Drawing Sheets



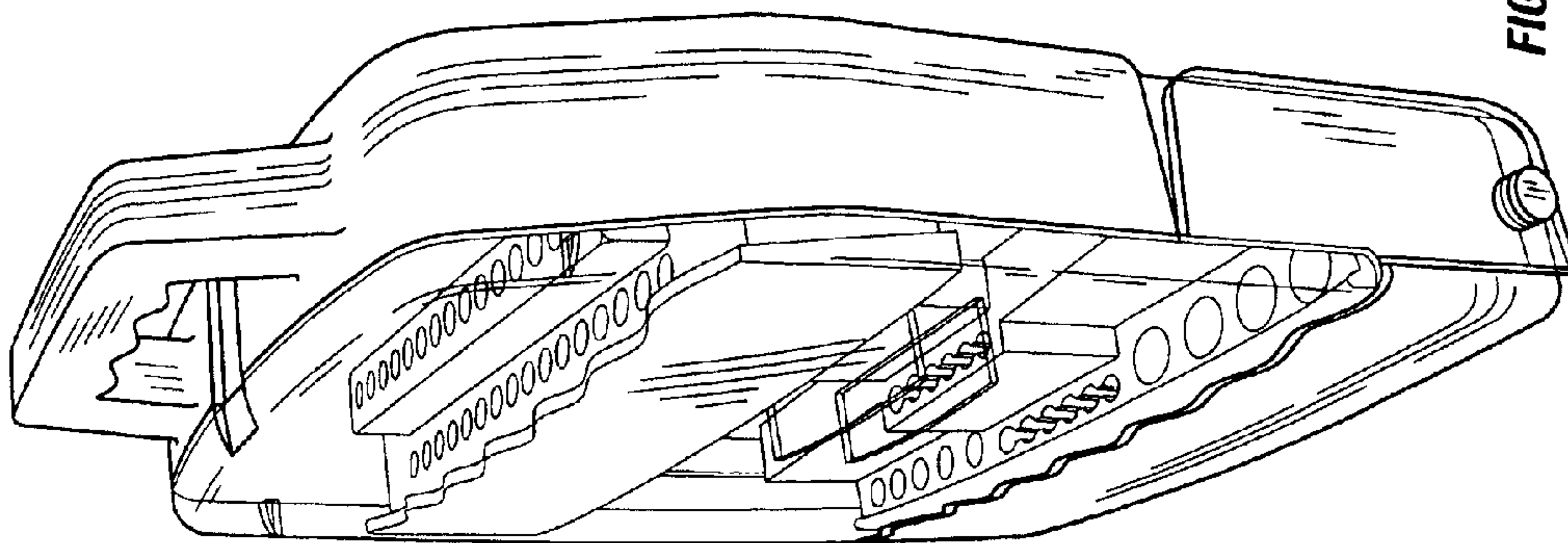


FIG. 1

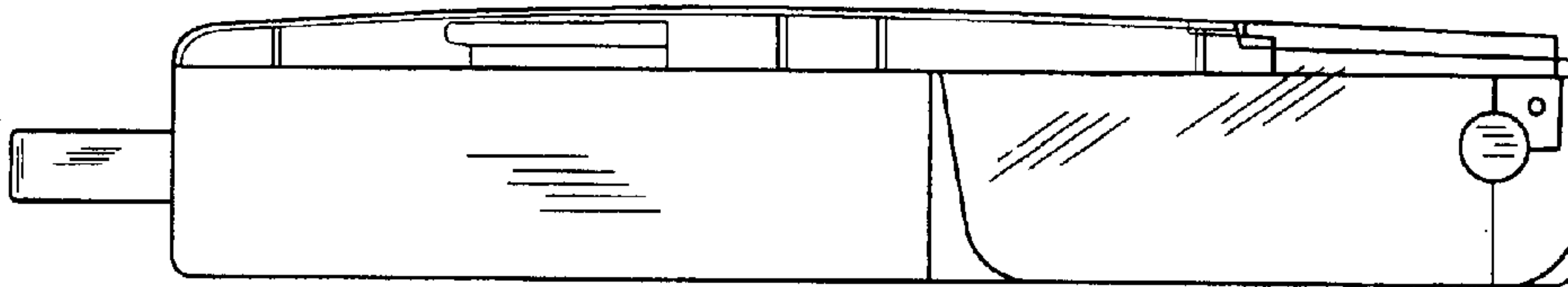


FIG. 2

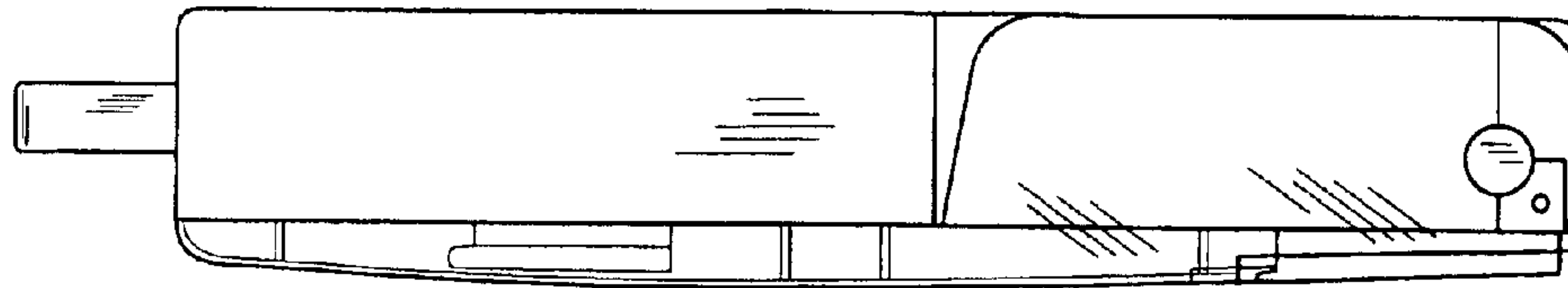


FIG. 3

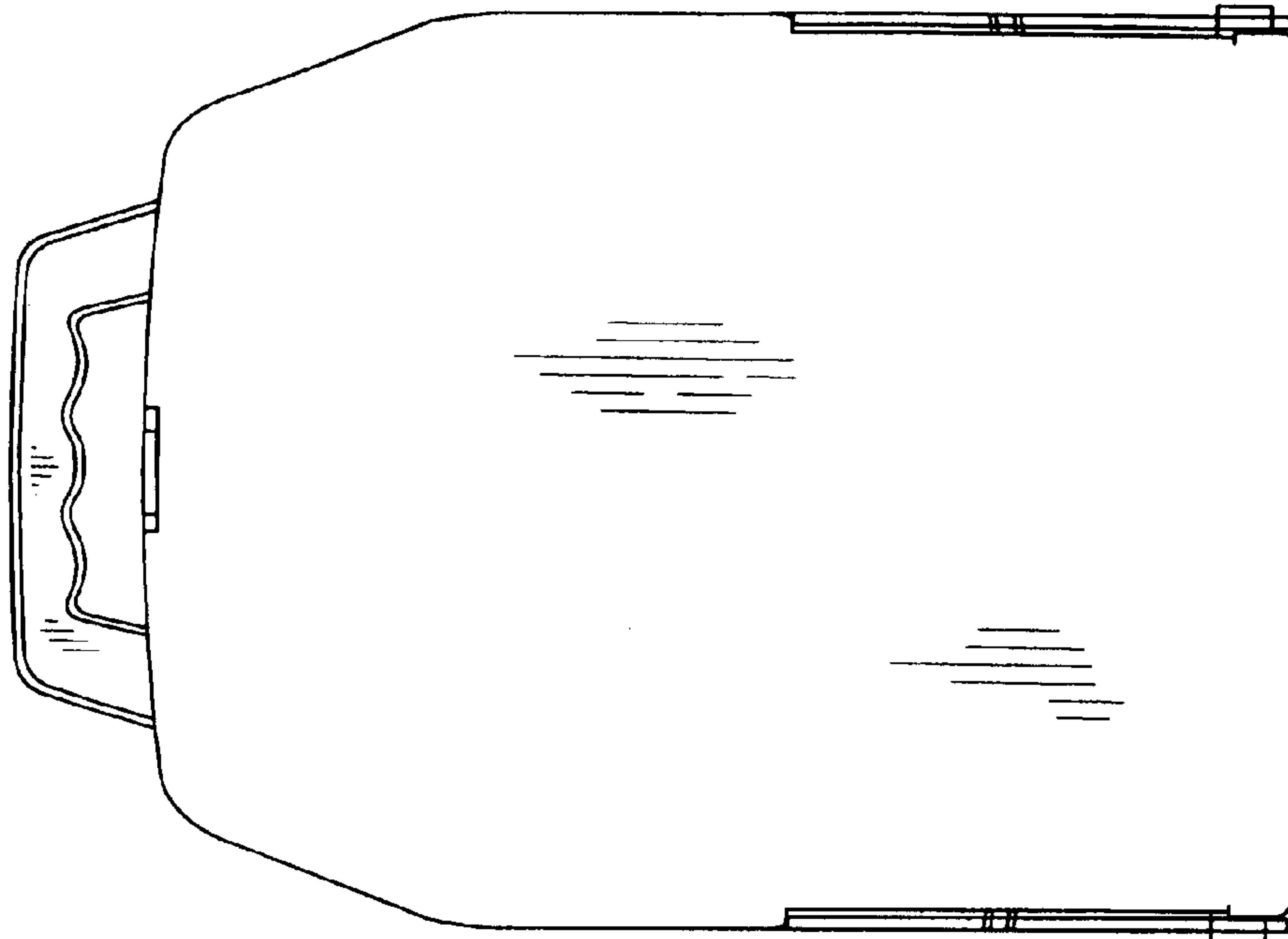


FIG. 5

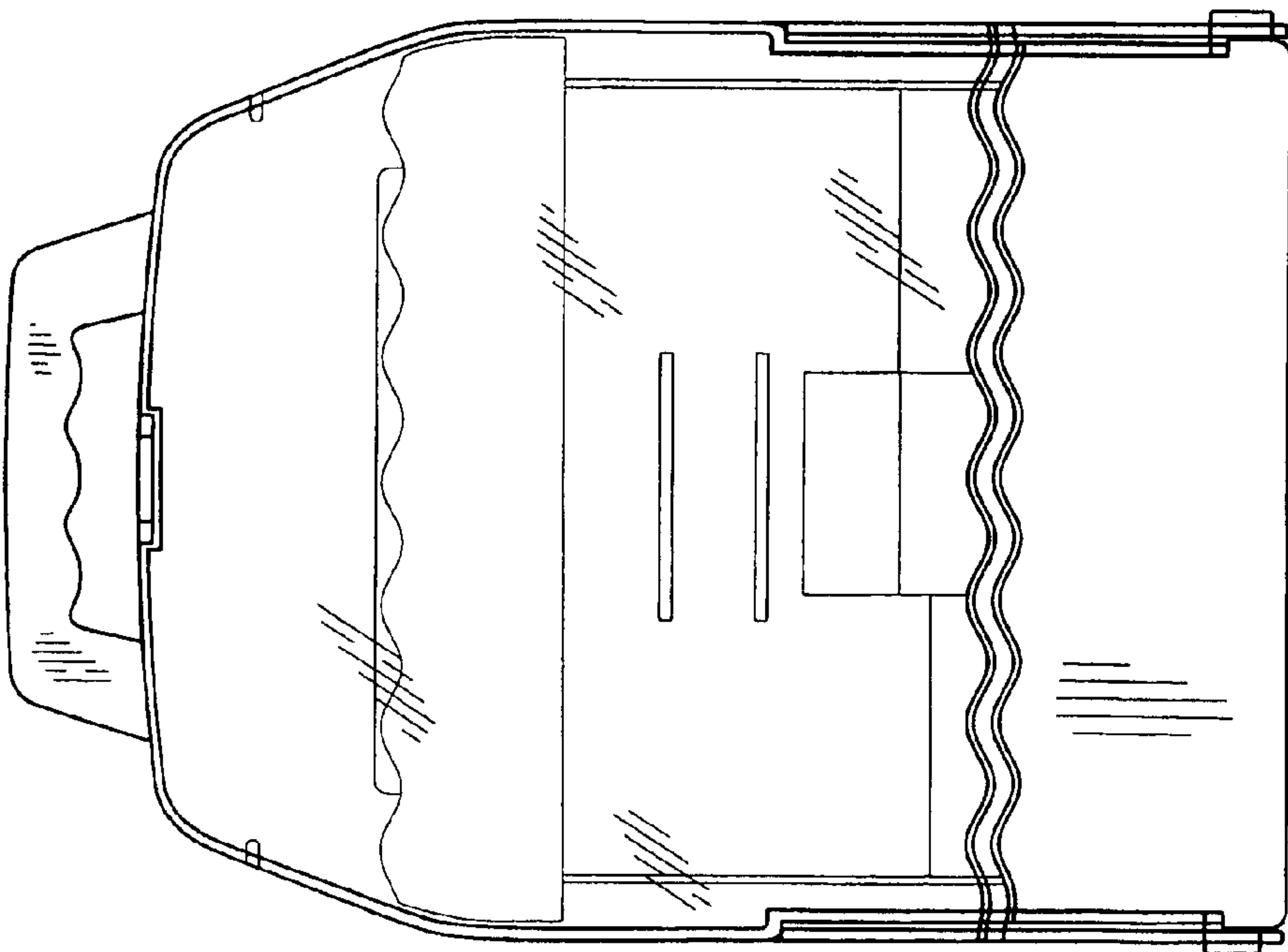


FIG. 4

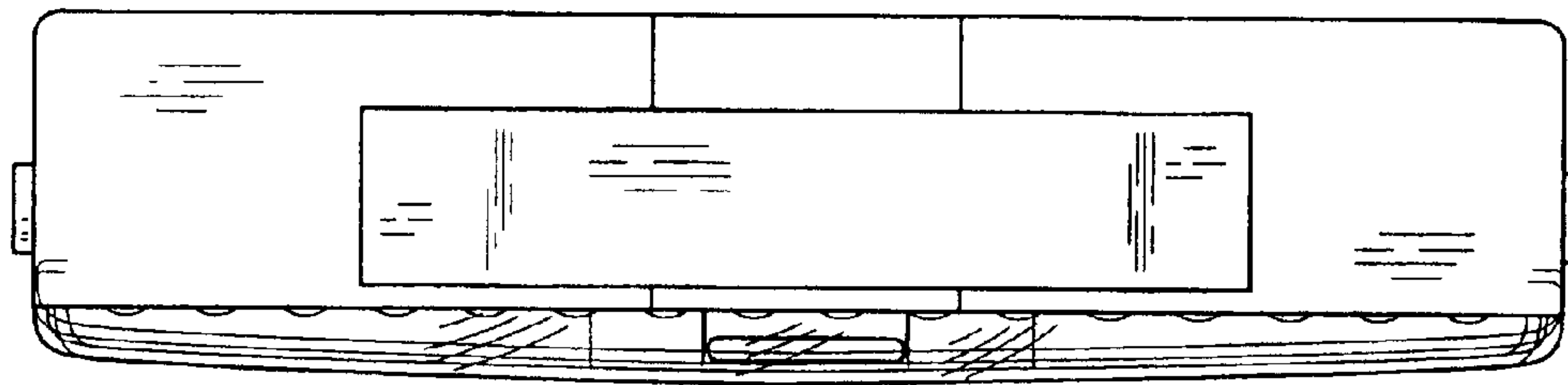


FIG. 6

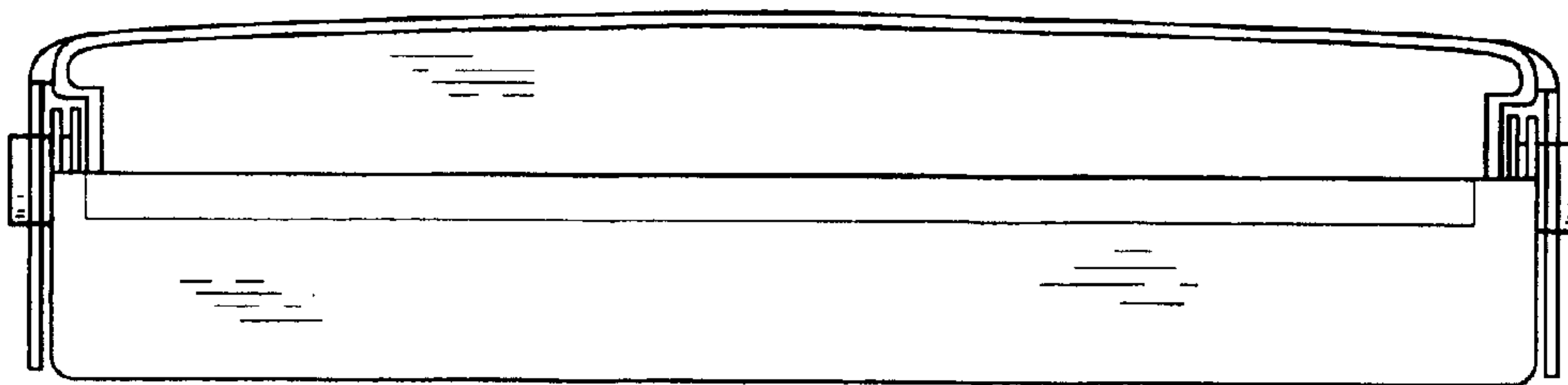


FIG. 7

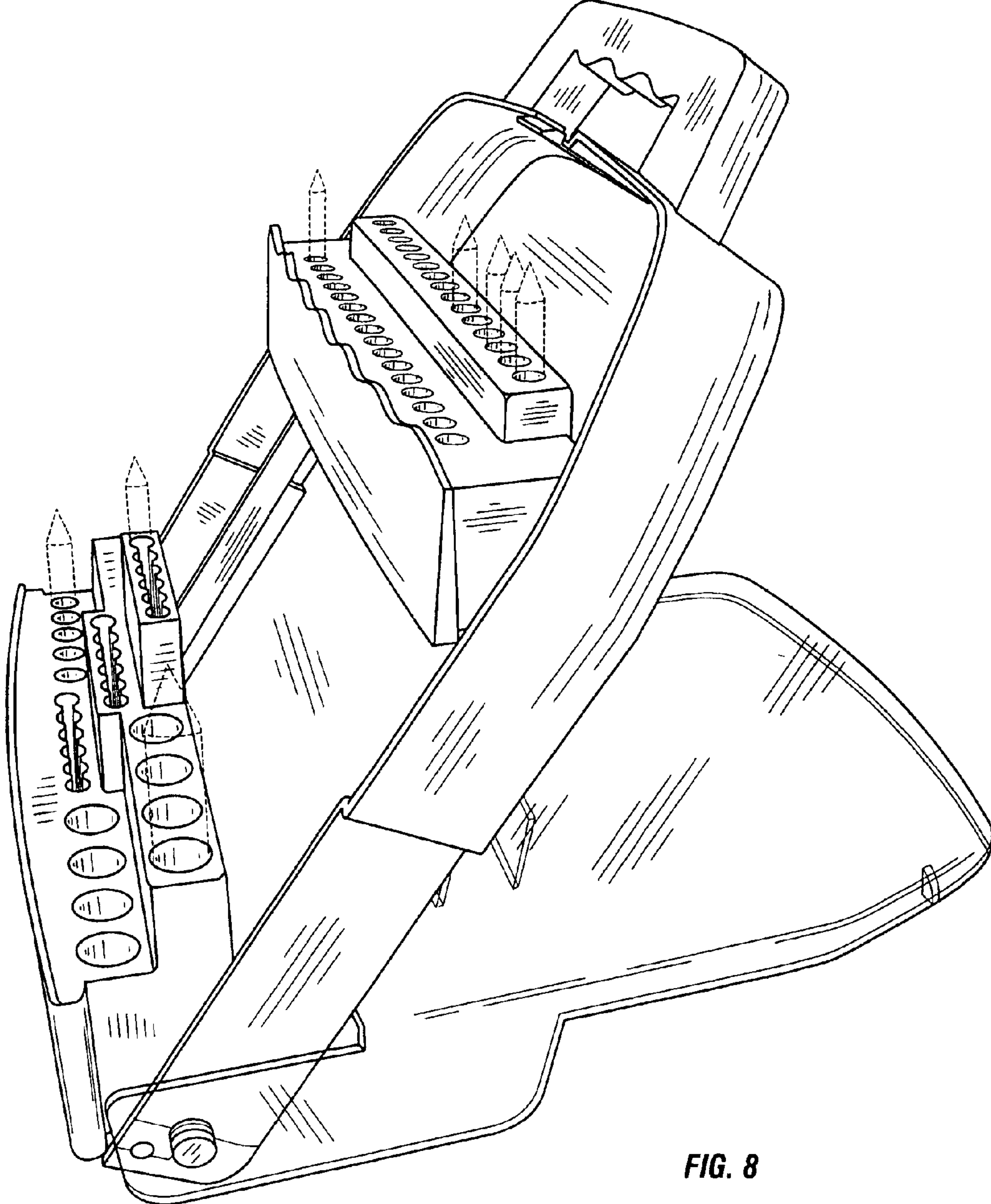


FIG. 8