



US00D538004S

(12) **United States Design Patent**
Kouyama et al.

(10) **Patent No.:** **US D538,004 S**

(45) **Date of Patent:** **** Mar. 6, 2007**

(54) **FORKLIFT TRUCK**

(75) Inventors: **Yoshiyuki Kouyama**, Osaka (JP); **Koji Shiizaki**, Osaka (JP); **Hideki Uchida**, Osaka (JP)

(73) Assignee: **TCM Corporation**, Osaka (JP)

(**) Term: **14 Years**

(21) Appl. No.: **29/224,706**

(22) Filed: **Mar. 4, 2005**

(30) **Foreign Application Priority Data**

Sep. 8, 2004 (JP) 2004-027276

(51) **LOC (8) Cl.** **12-05**

(52) **U.S. Cl.** **D34/34**

(58) **Field of Classification Search** D34/34,
D34/28; 187/222, 234, 226, 238; 414/631,
414/572, 592; 180/89.12, 89.13, 89.17; D21/556
See application file for complete search history.

(56) **References Cited**

U.S. PATENT DOCUMENTS

4,231,450 A * 11/1980 Hedtke et al. 187/222

D358,013 S * 5/1995 Heiler D34/34
D374,752 S * 10/1996 Lee et al. D34/34
5,881,842 A * 3/1999 Kikukawa 187/222
D411,681 S * 6/1999 Murakami et al. D34/34
D448,136 S * 9/2001 Yurushi et al. D34/34
D470,990 S * 2/2003 Han et al. D34/34
D471,689 S * 3/2003 Shibata et al. D34/34

* cited by examiner

Primary Examiner—Cynthia E. Ramirez

(74) *Attorney, Agent, or Firm*—TIPS Group

(57) **CLAIM**

The design for a forklift truck, as shown and described.

DESCRIPTION

FIG. 1 is a perspective view for a forklift truck showing our new design.

FIG. 2 is a right side elevational view.

FIG. 3 is a left side elevational view.

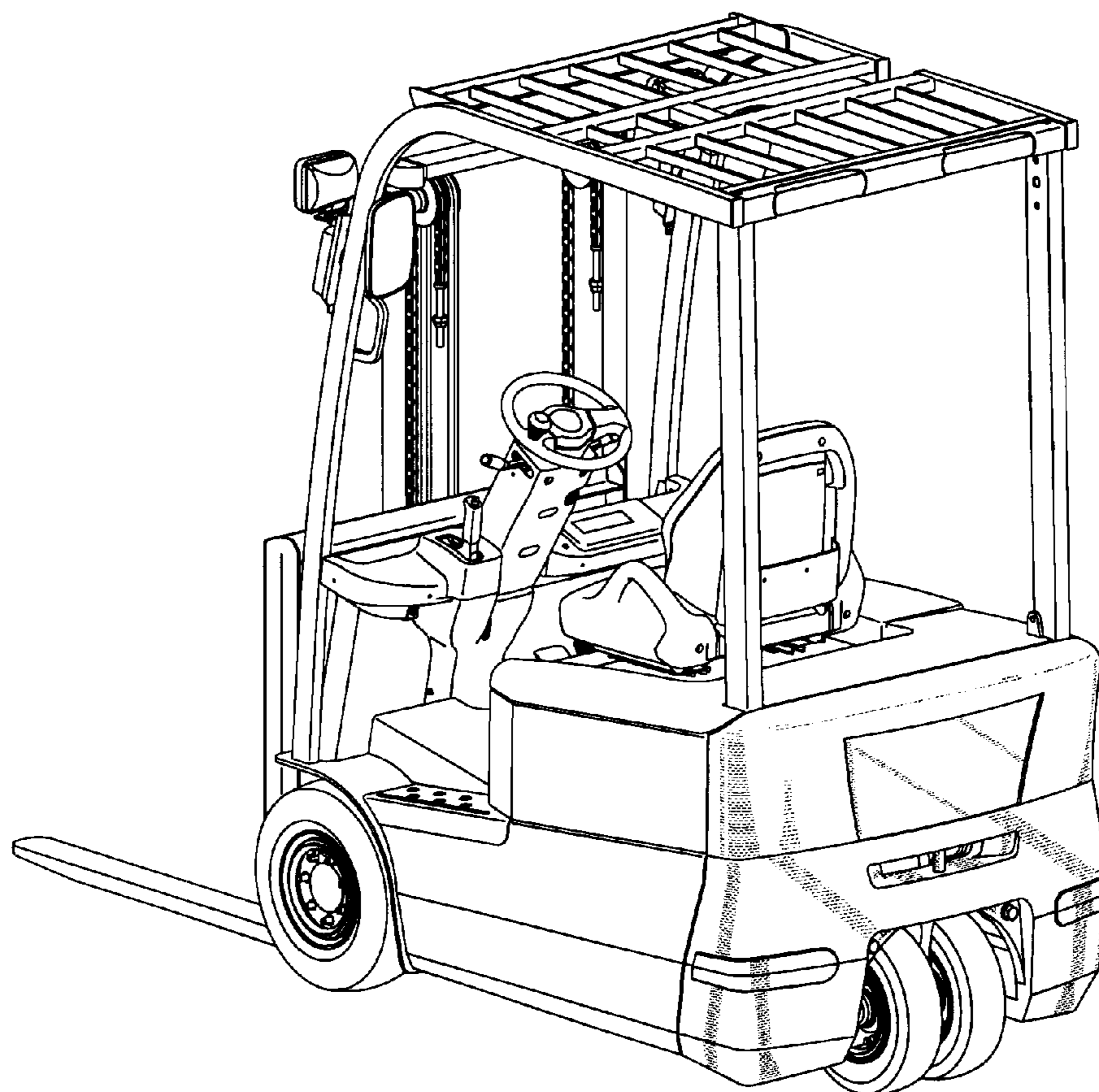
FIG. 4 is a front elevational view.

FIG. 5 is a rear elevational view.

FIG. 6 is a bottom plan view; and,

FIG. 7 is a top plan view.

1 Claim, 4 Drawing Sheets



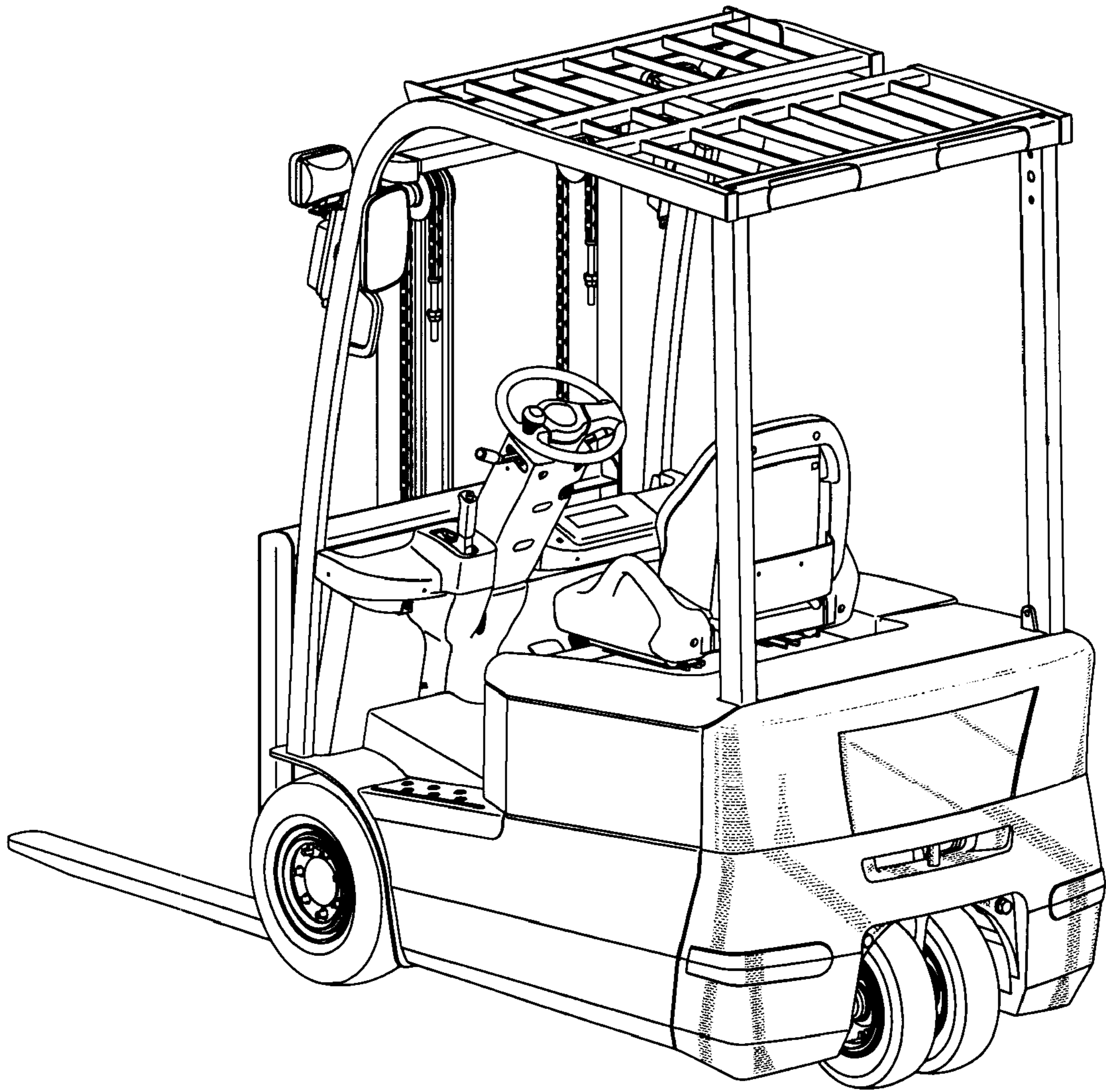


FIG. 1

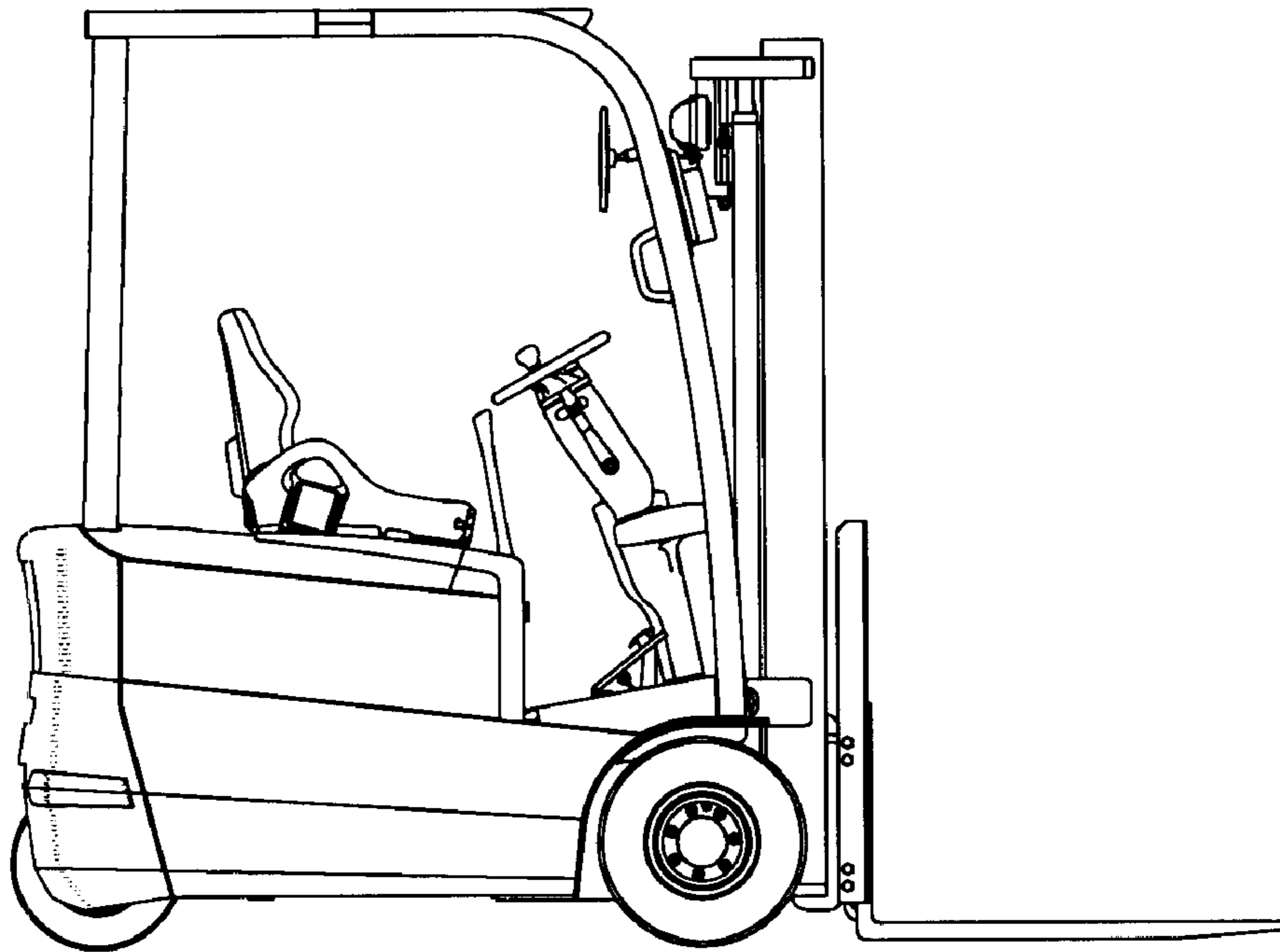


FIG. 2

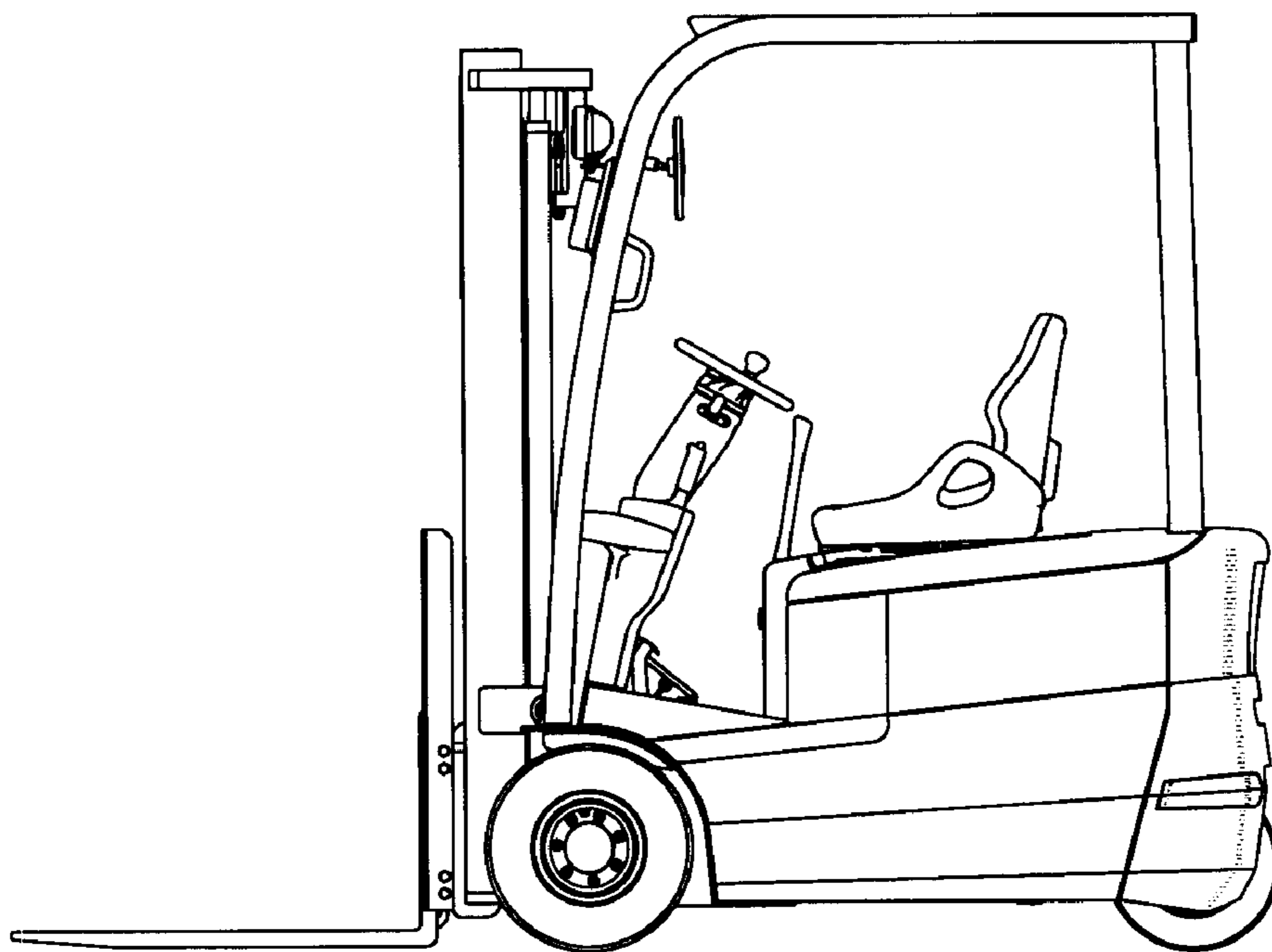


FIG. 3

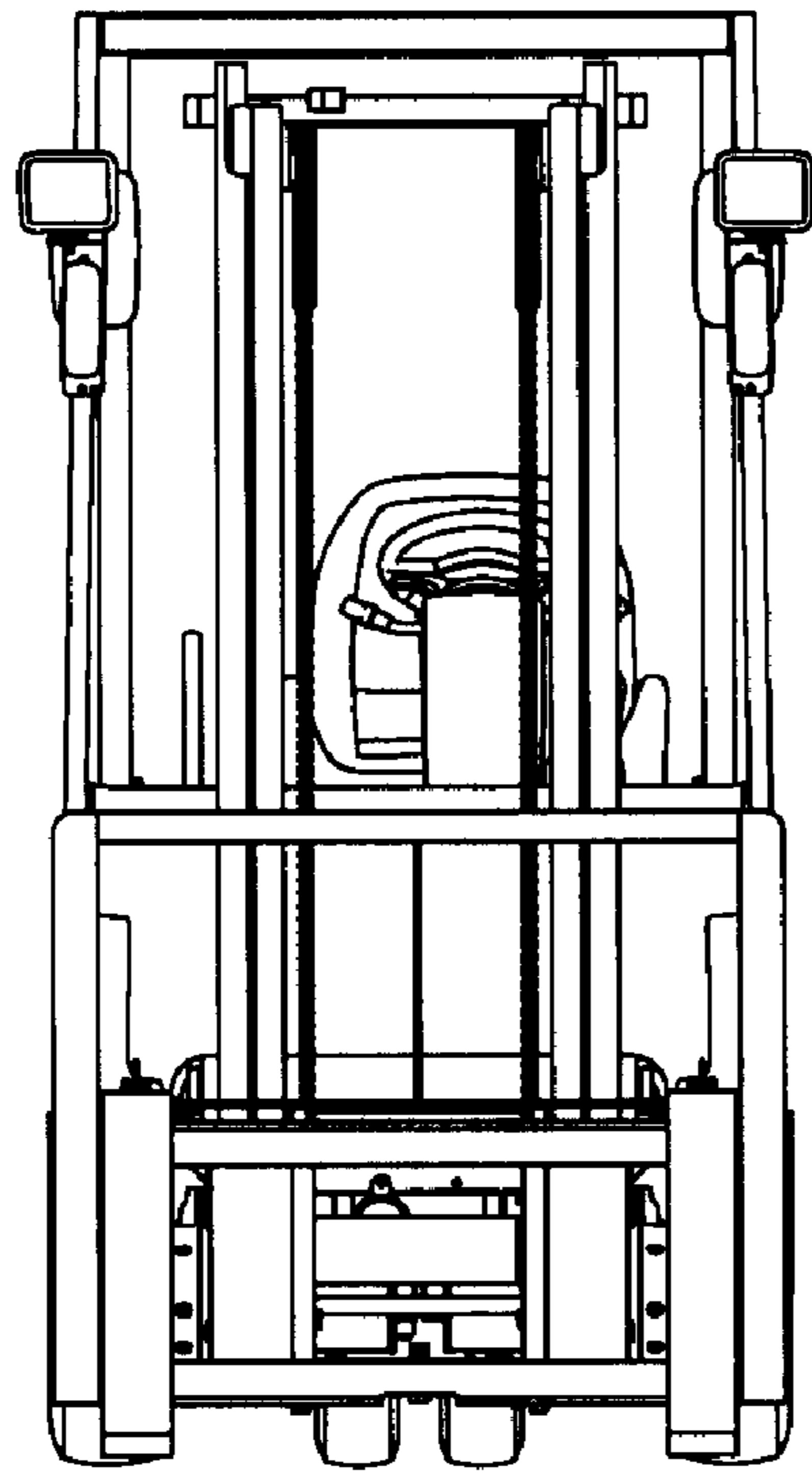


FIG. 4

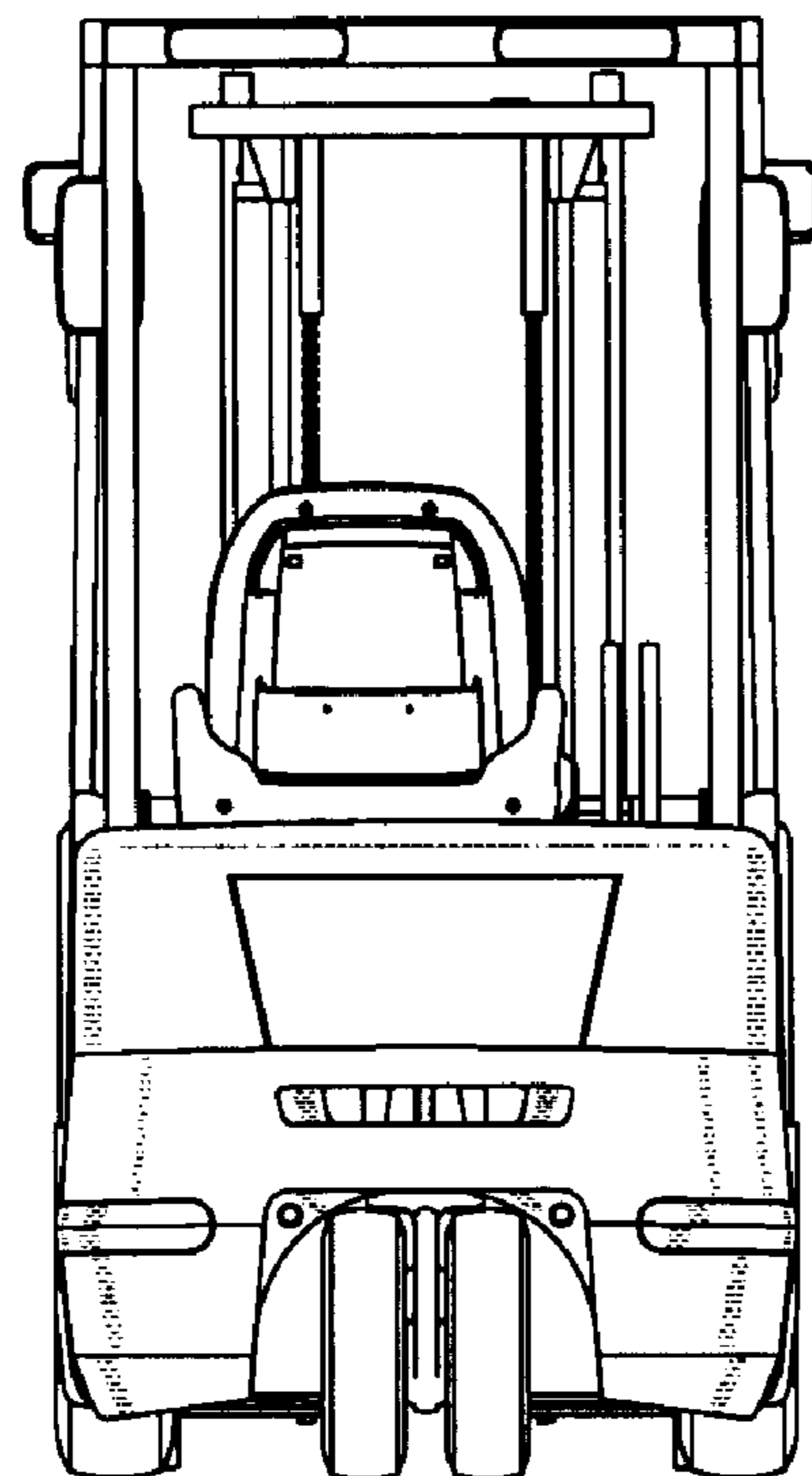


FIG. 5

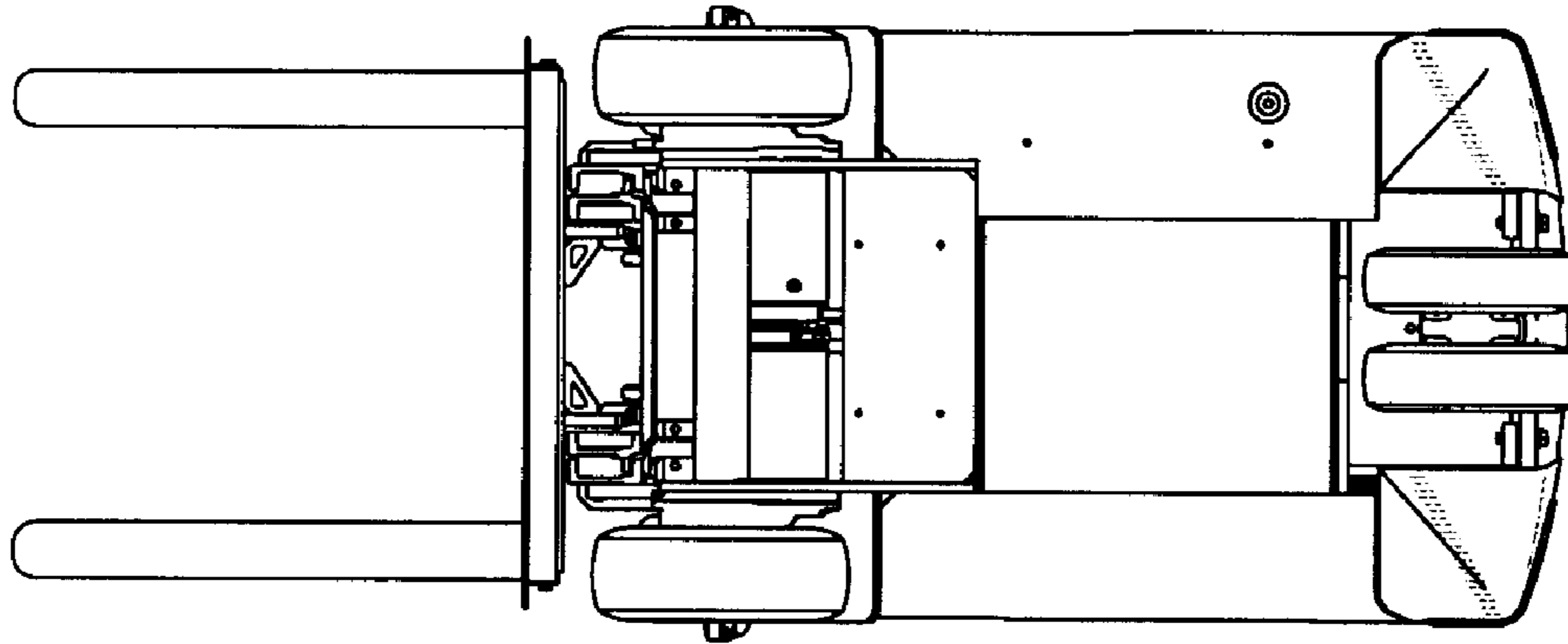


FIG. 6

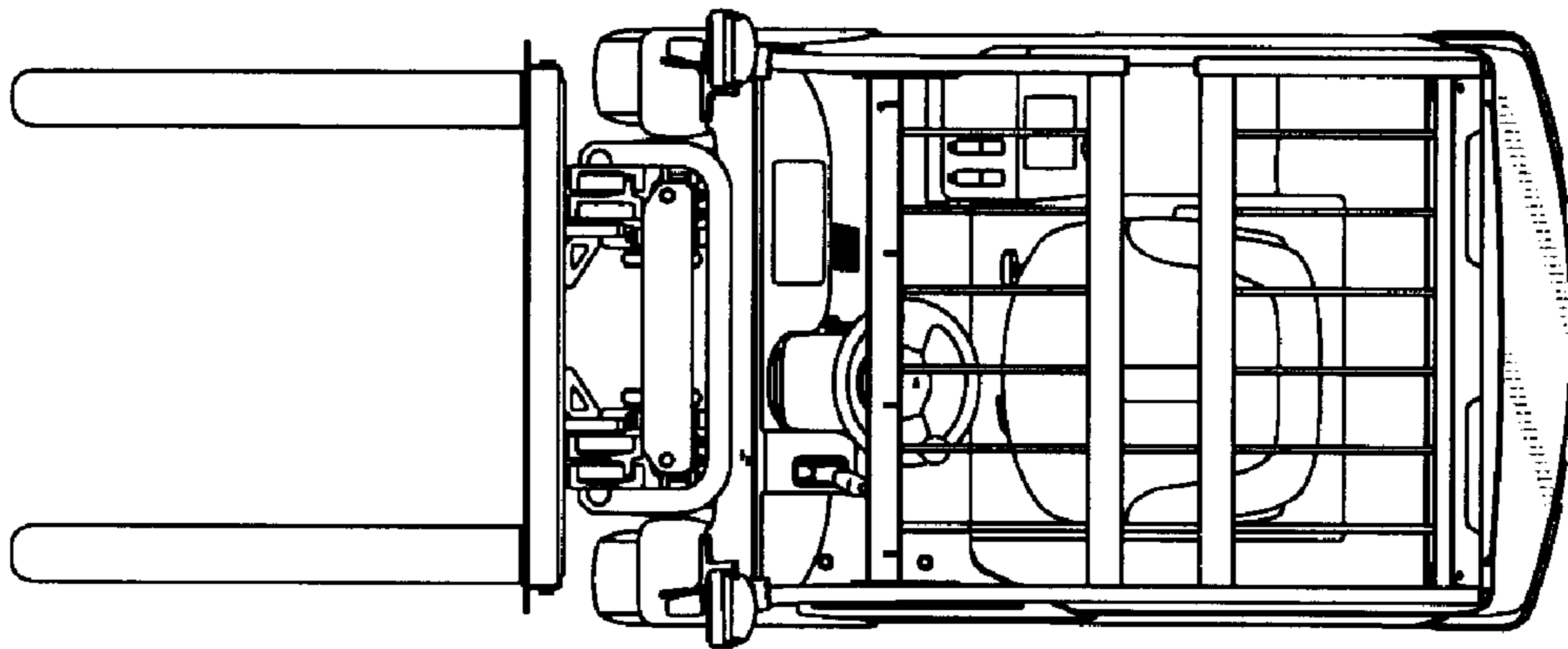


FIG. 7