



US00D538003S

(12) **United States Design Patent**  
**Barnett**

(10) **Patent No.:** **US D538,003 S**

(45) **Date of Patent:** **\*\* Mar. 6, 2007**

(54) **SUPPORT JACK**

(76) **Inventor:** **Thomas Barnett**, 1102 Millard, Royal Oak, MI (US) 48073

(\*\*) **Term:** **14 Years**

(21) **Appl. No.:** **29/240,770**

(22) **Filed:** **Oct. 18, 2005**

(51) **LOC (8) Cl.** ..... **12-05**

(52) **U.S. Cl.** ..... **D34/31**

(58) **Field of Classification Search** ..... D34/31,  
D34/28; 248/354.5, 352; 254/93 R, 2 R,  
254/DIG. 1, 8 R, 45, 420, 423, 134, 93 H  
See application file for complete search history.

(56) **References Cited**

**U.S. PATENT DOCUMENTS**

- 3,170,672 A \* 2/1965 Stoneberg ..... 254/93 R
- D204,944 S \* 5/1966 Bair ..... D34/31
- 4,684,097 A \* 8/1987 Cox ..... 248/354.3
- 4,690,361 A \* 9/1987 Lundman ..... 248/352

- D357,787 S \* 4/1995 Sullivan ..... D34/31
- 5,520,360 A \* 5/1996 Wensman ..... 248/354.5
- D373,884 S \* 9/1996 Price ..... D34/31
- 6,019,337 A \* 2/2000 Brown ..... 248/354.5
- D467,699 S \* 12/2002 King ..... D34/31

\* cited by examiner

*Primary Examiner*—Cynthia E. Ramirez

(74) *Attorney, Agent, or Firm*—Dickinson Wright PLLC

(57) **CLAIM**

The ornamental design for a support jack, as shown and described.

**DESCRIPTION**

FIG. 1 is a front view of a support jack showing my new design;

FIG. 2 is a side view of the left side of FIG. 1,

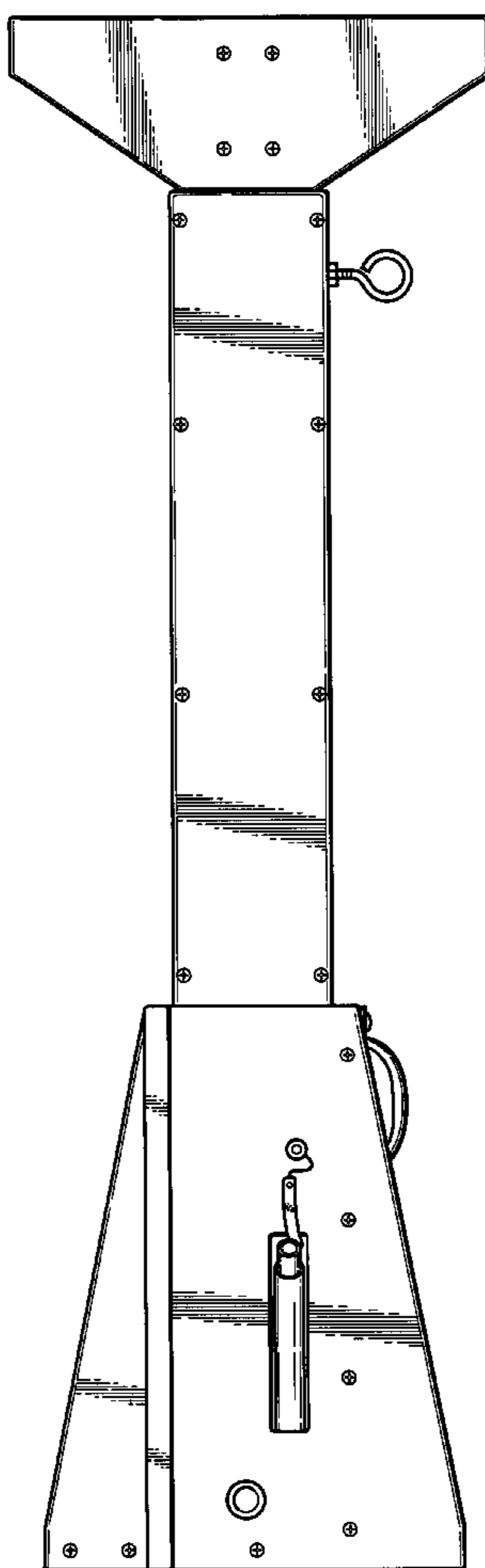
FIG. 3 is side view of the right side of FIG. 2,

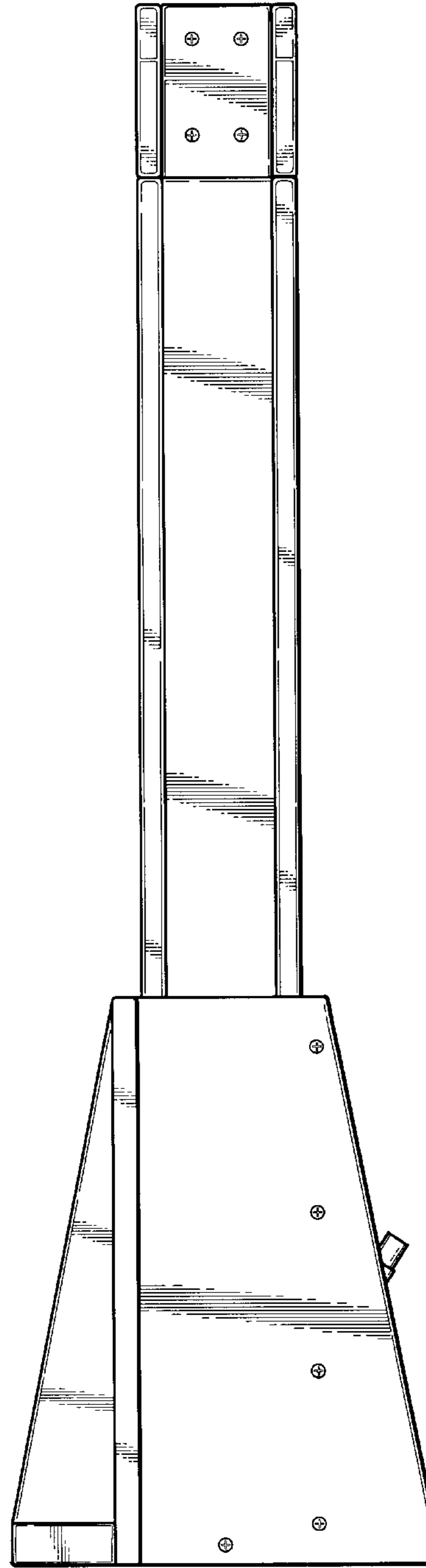
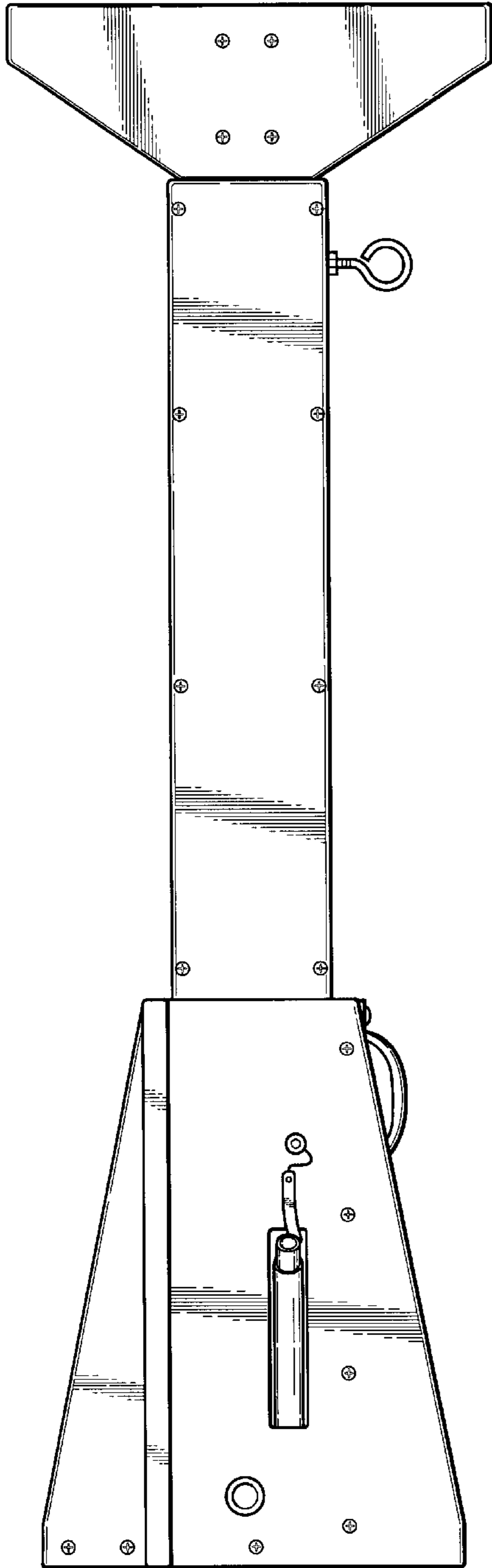
FIG. 4 is a rear view,

FIG. 5 is a top view; and,

FIG. 6 is a bottom view.

**1 Claim, 3 Drawing Sheets**





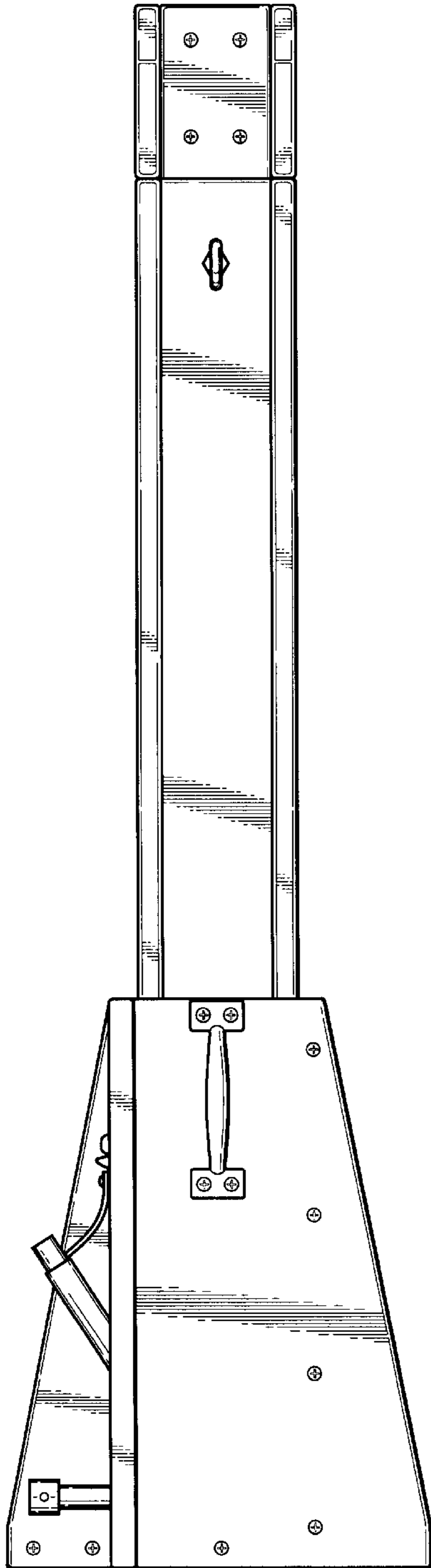


FIG - 3

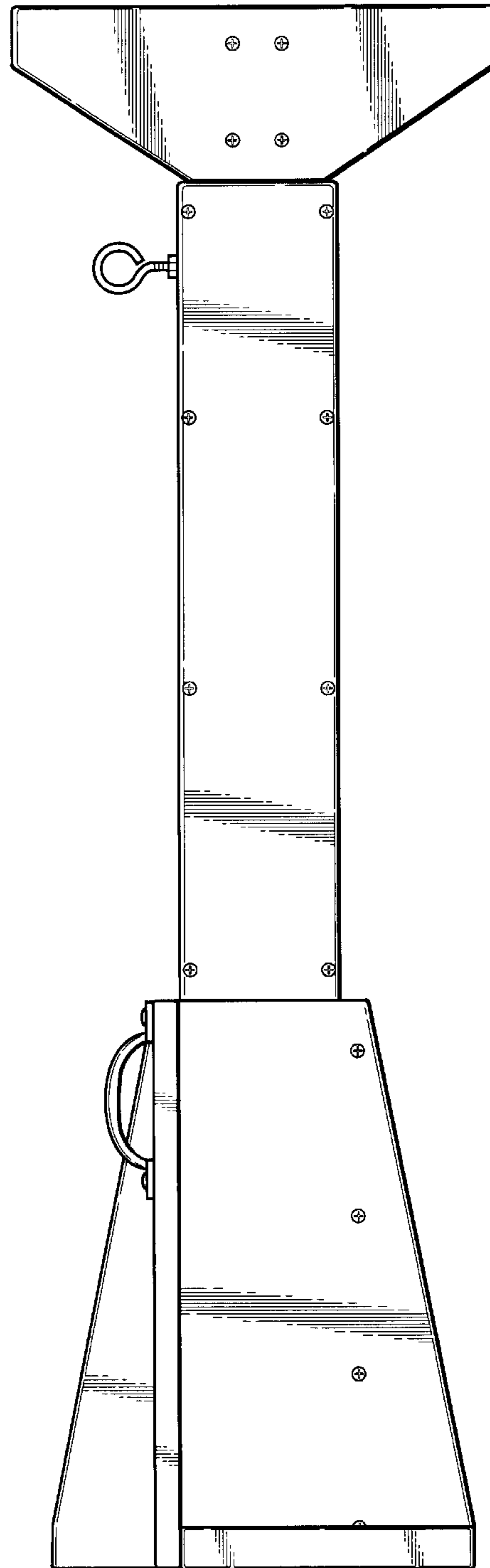
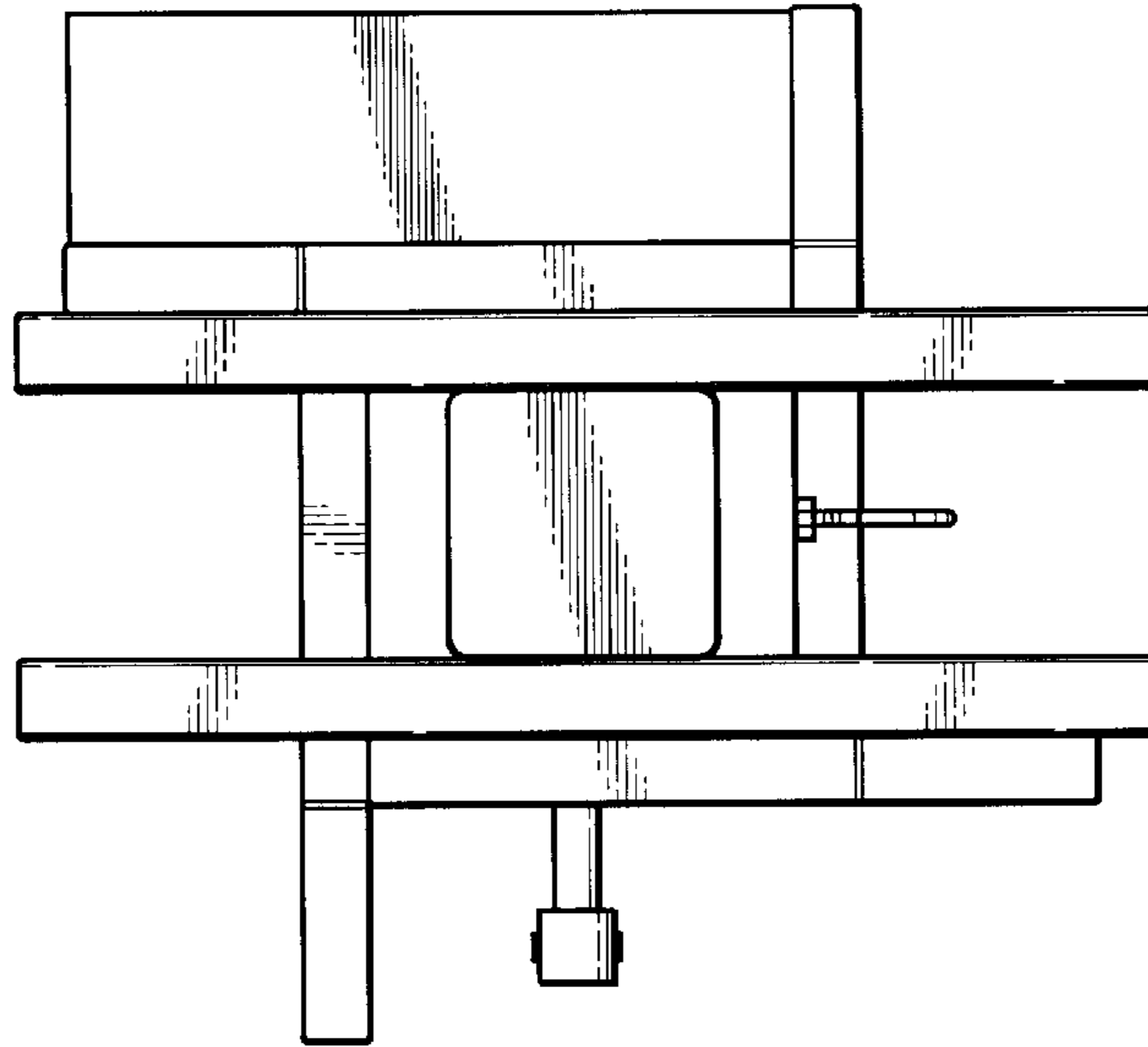


FIG - 4

**FIG - 5**



**FIG - 6**

