



US00D538002S

(12) **United States Design Patent**
Kuhn

(10) **Patent No.:** **US D538,002 S**

(45) **Date of Patent:** **** Mar. 6, 2007**

(54) **MOBILE PLATFORM FOR CONTACTLESS
LOAD INSPECTION, ESPECIALLY FOR
CONTAINERS ON TRANSPORTATION
MEANS**

4,877,365 A	*	10/1989	Lanigan Jr. et al.	414/459
4,915,576 A	*	4/1990	Lanigan et al.	414/809
5,044,864 A	*	9/1991	Stefan	414/459
5,395,202 A	*	3/1995	Peters	414/495
5,529,452 A	*	6/1996	Boyles et al.	414/460
5,839,874 A	*	11/1998	Johnston	414/459

(75) Inventor: **Rolf Kuhn**, Würzburg (DE)

* cited by examiner

(73) Assignee: **Noell Crane Systems GmbH**,
Wuerzburg (DE)

Primary Examiner—Cynthia E. Ramirez

(**) Term: **14 Years**

(74) *Attorney, Agent, or Firm*—Darby & Darby

(21) Appl. No.: **29/230,472**

(22) Filed: **May 23, 2005**

(57) **CLAIM**

The ornamental design for a mobile platform for contactless load inspection, especially for containers on transportation means, as shown and described.

(51) **LOC (8) Cl.** **12-05**

(52) **U.S. Cl.** **D34/28**

(58) **Field of Classification Search** D34/28;
254/DIG. 9; 414/495, 454, 459, 460, 786;
212/324, 326, 327; 187/9 R

DESCRIPTION

See application file for complete search history.

FIG. 1 is a top, front, and left side perspective view of the mobile platform for contactless load inspection, especially for containers on transportation means, showing my new design;

(56) **References Cited**

U.S. PATENT DOCUMENTS

3,251,496 A	*	5/1966	Lamer et al.	414/459
4,171,927 A	*	10/1979	Aoyama	414/460
4,378,072 A	*	3/1983	Appleman et al.	212/344
4,749,328 A	*	6/1988	Lanigan et al.	414/459

FIG. 2 is a back view thereof;

FIG. 3 is a left side view thereof;

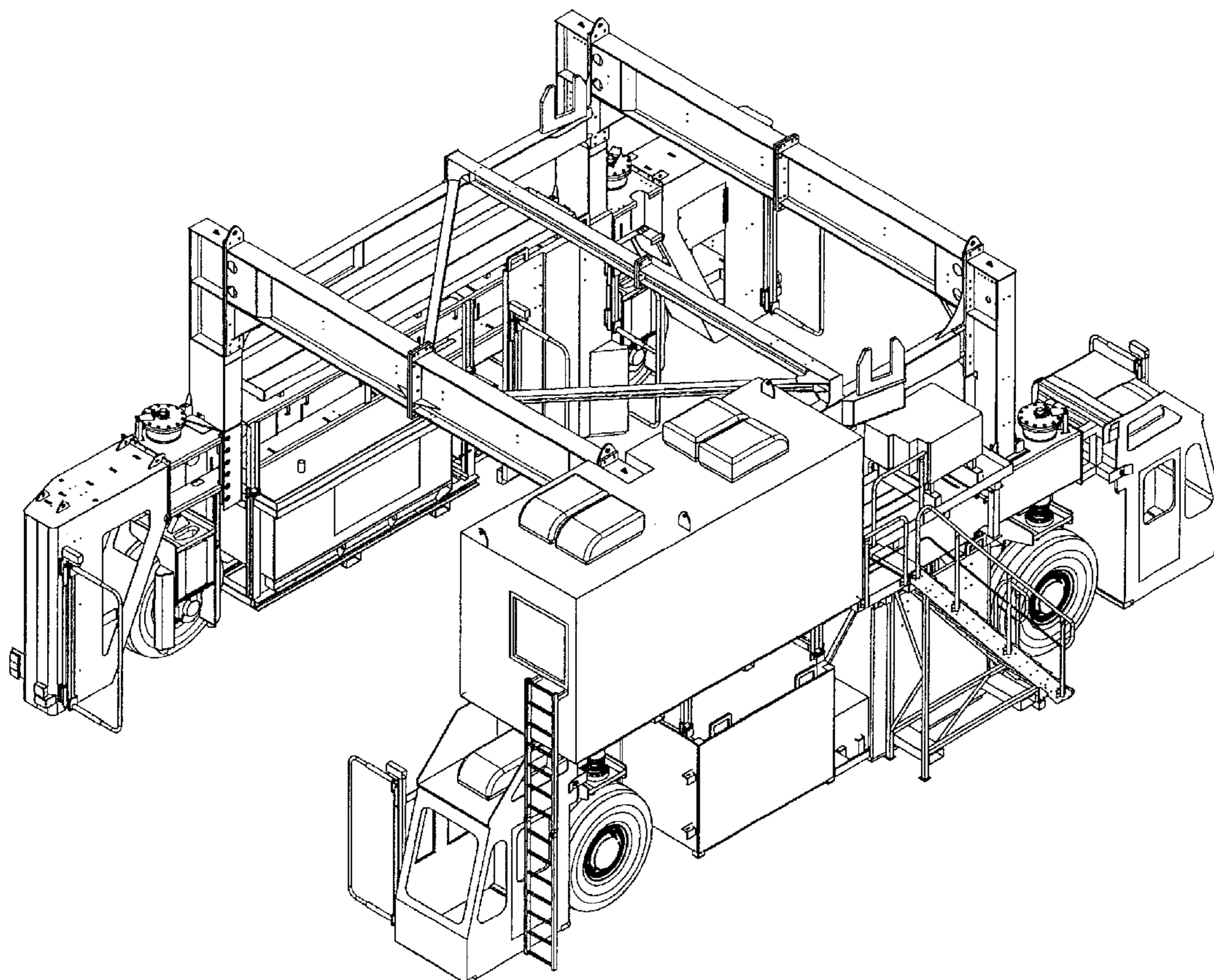
FIG. 4 is a right side view thereof;

FIG. 5 is a top view thereof;

FIG. 6 is a bottom view thereof; and,

FIG. 7 is a front view thereof.

1 Claim, 7 Drawing Sheets



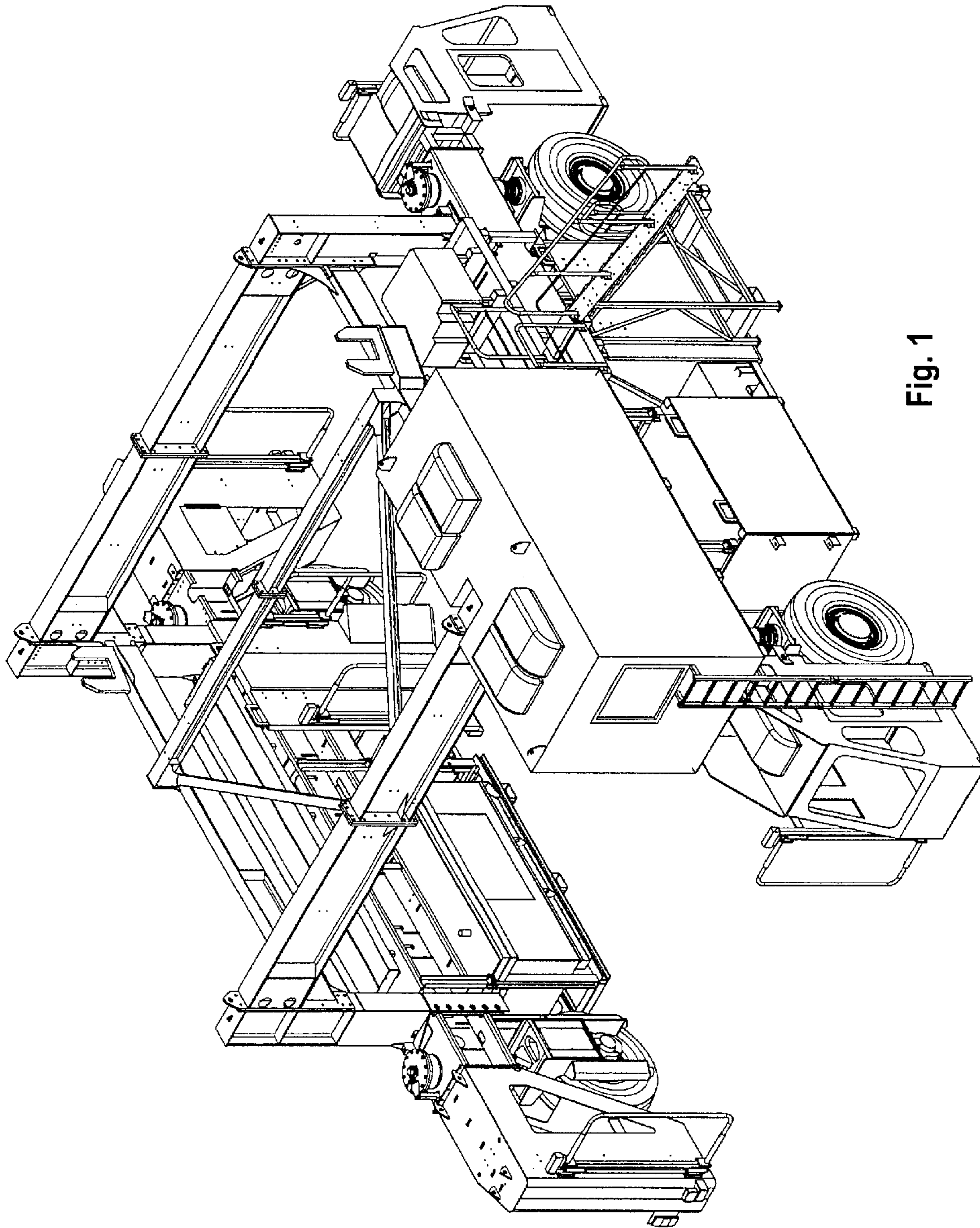


Fig. 1

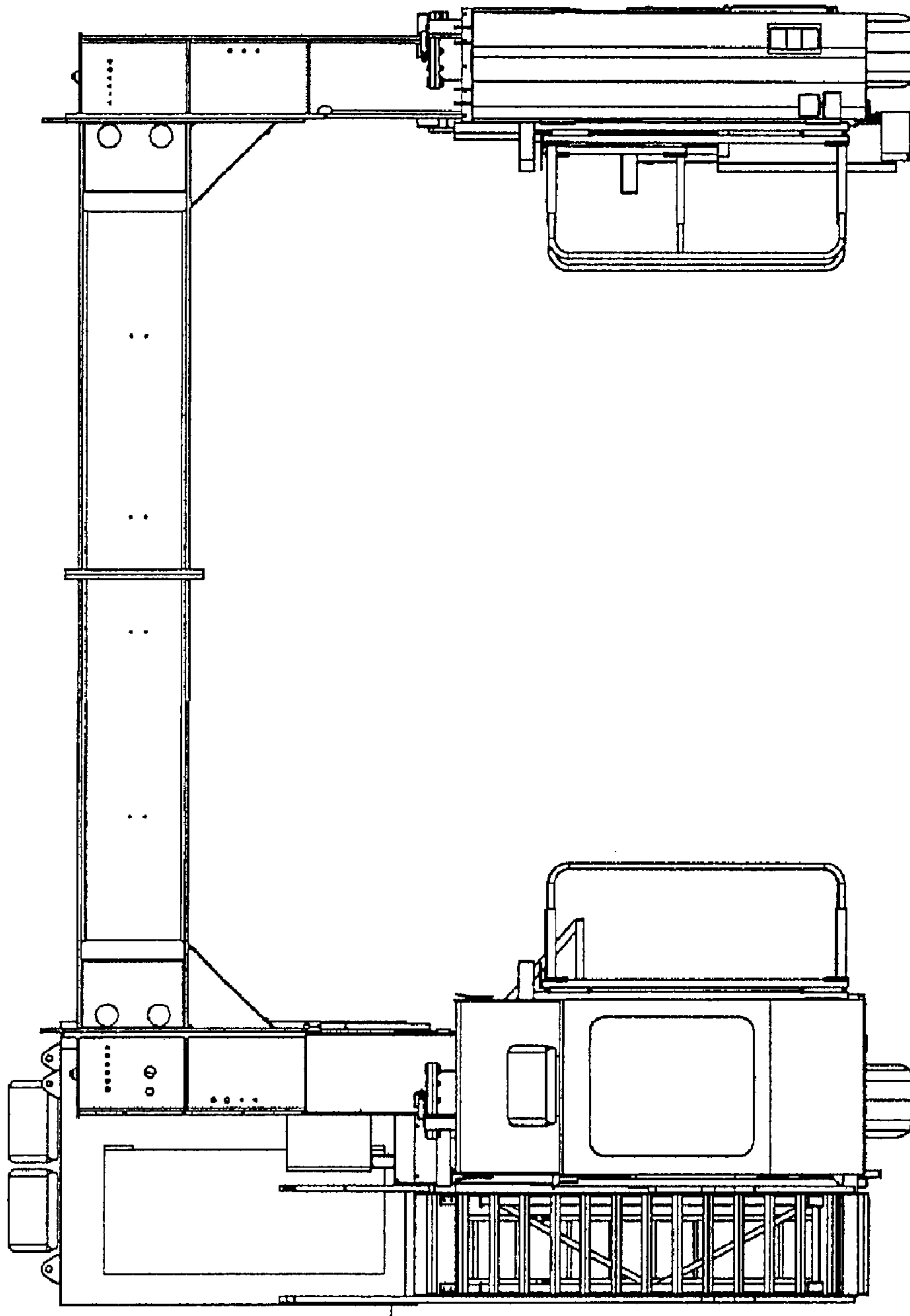


Fig. 2

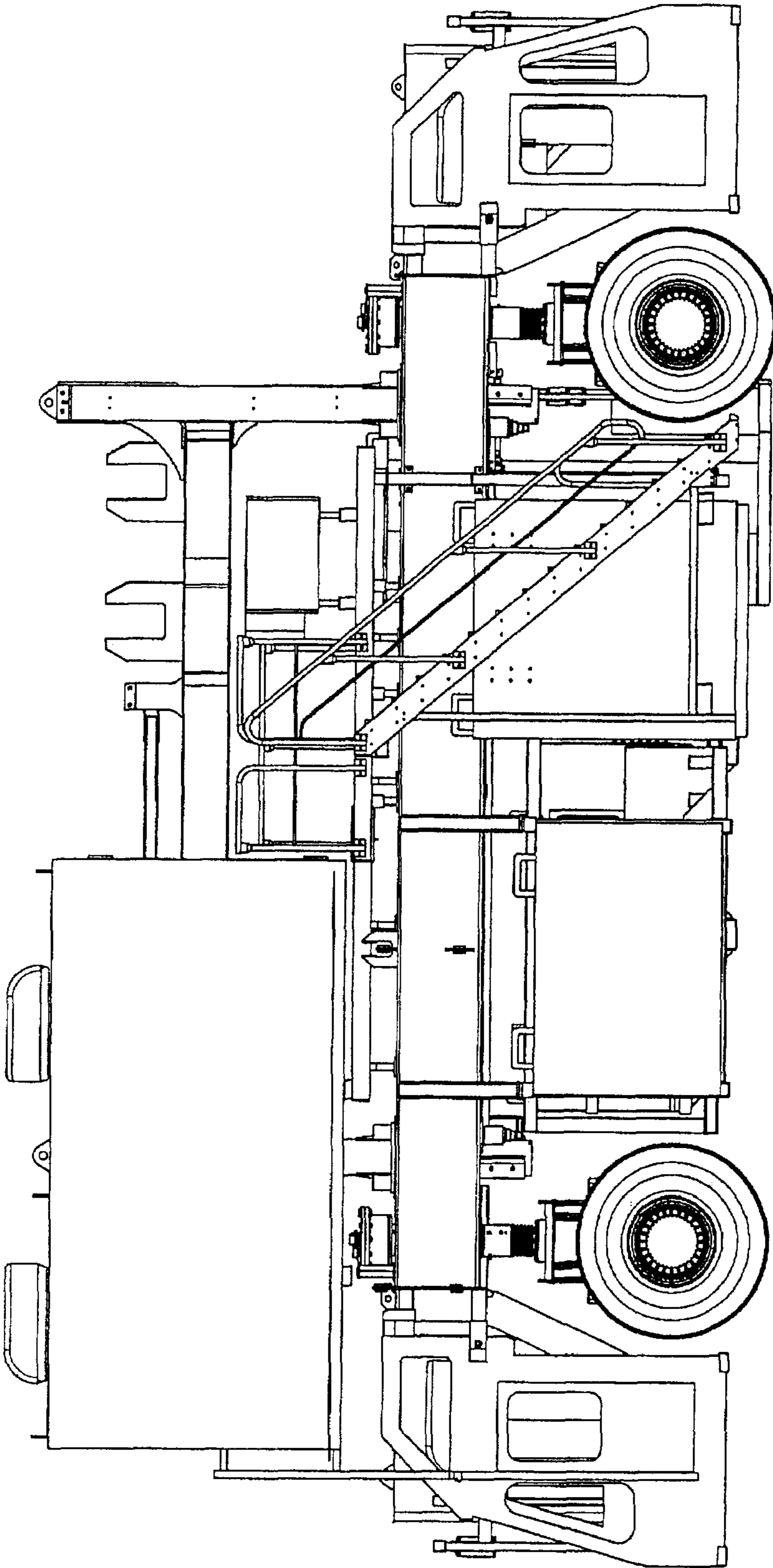


Fig. 3

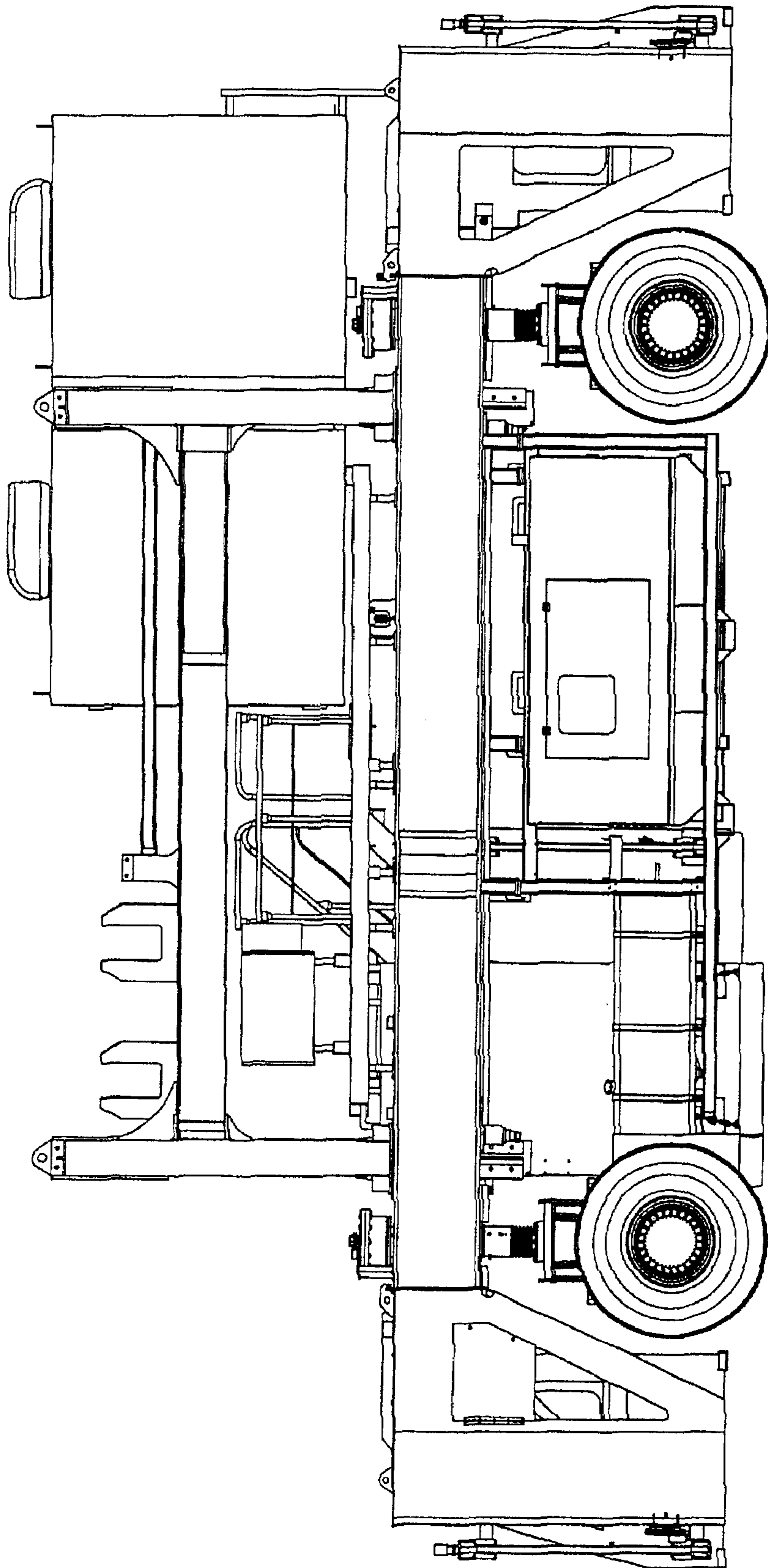


Fig. 4

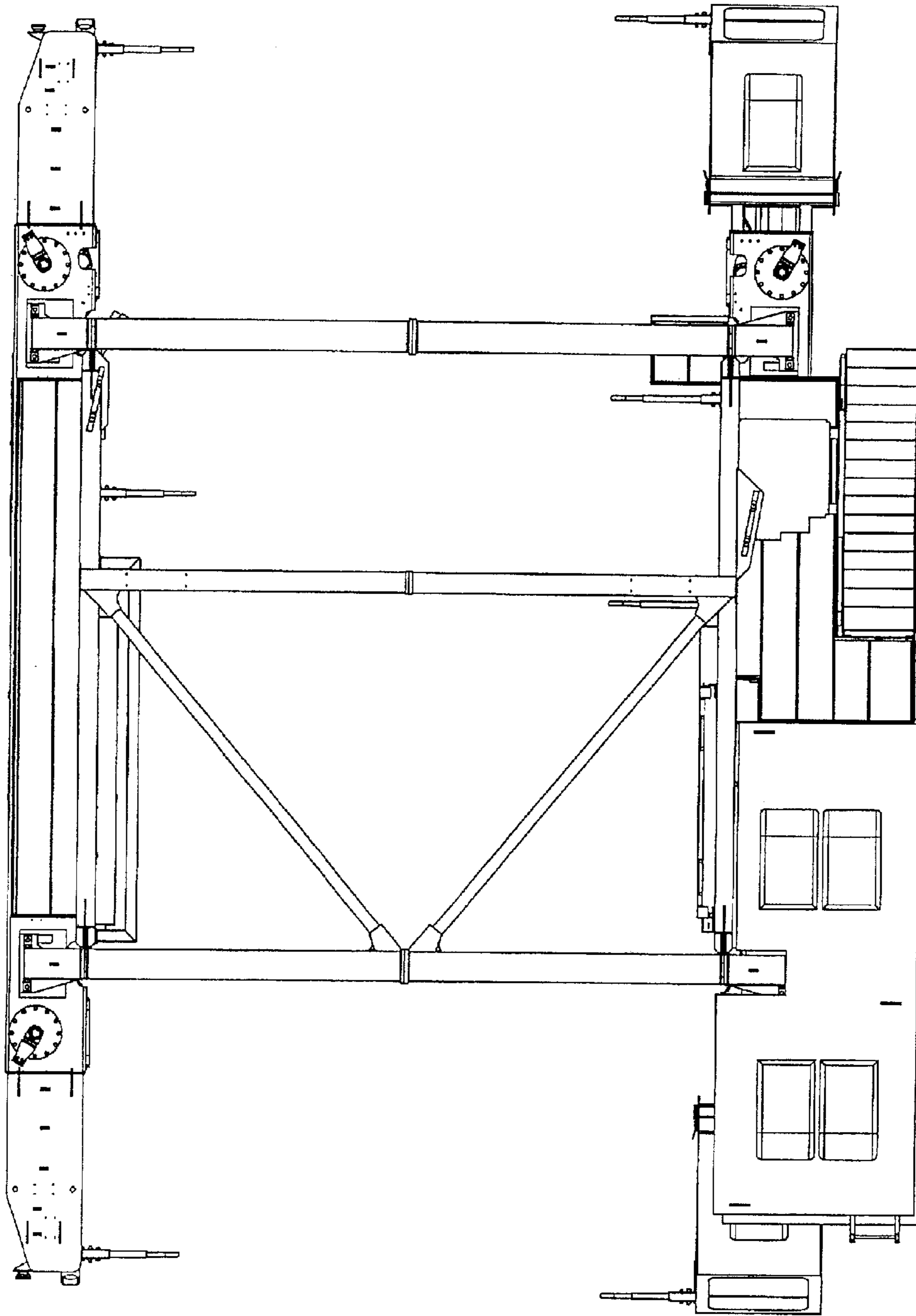


Fig. 5

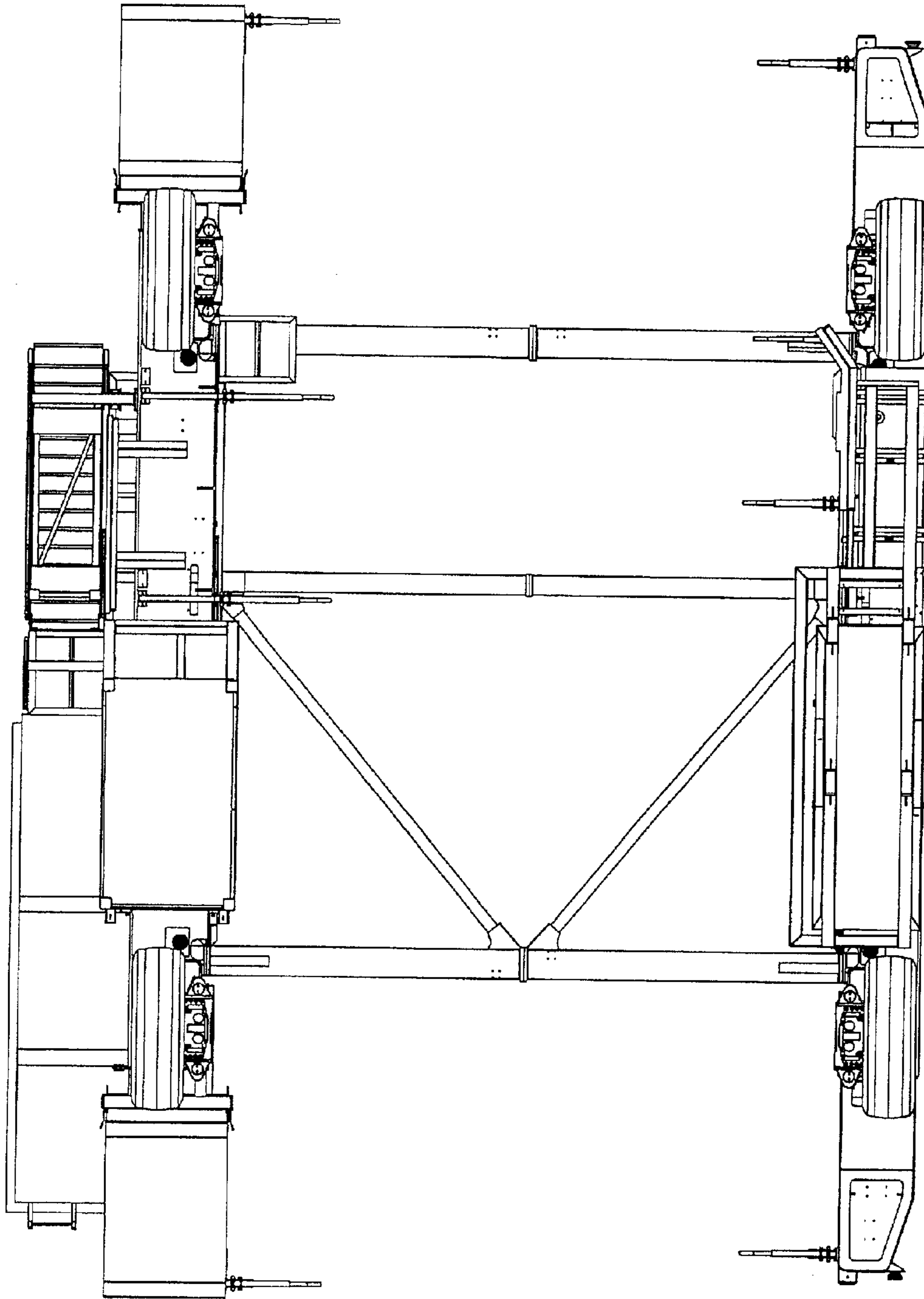


Fig. 6

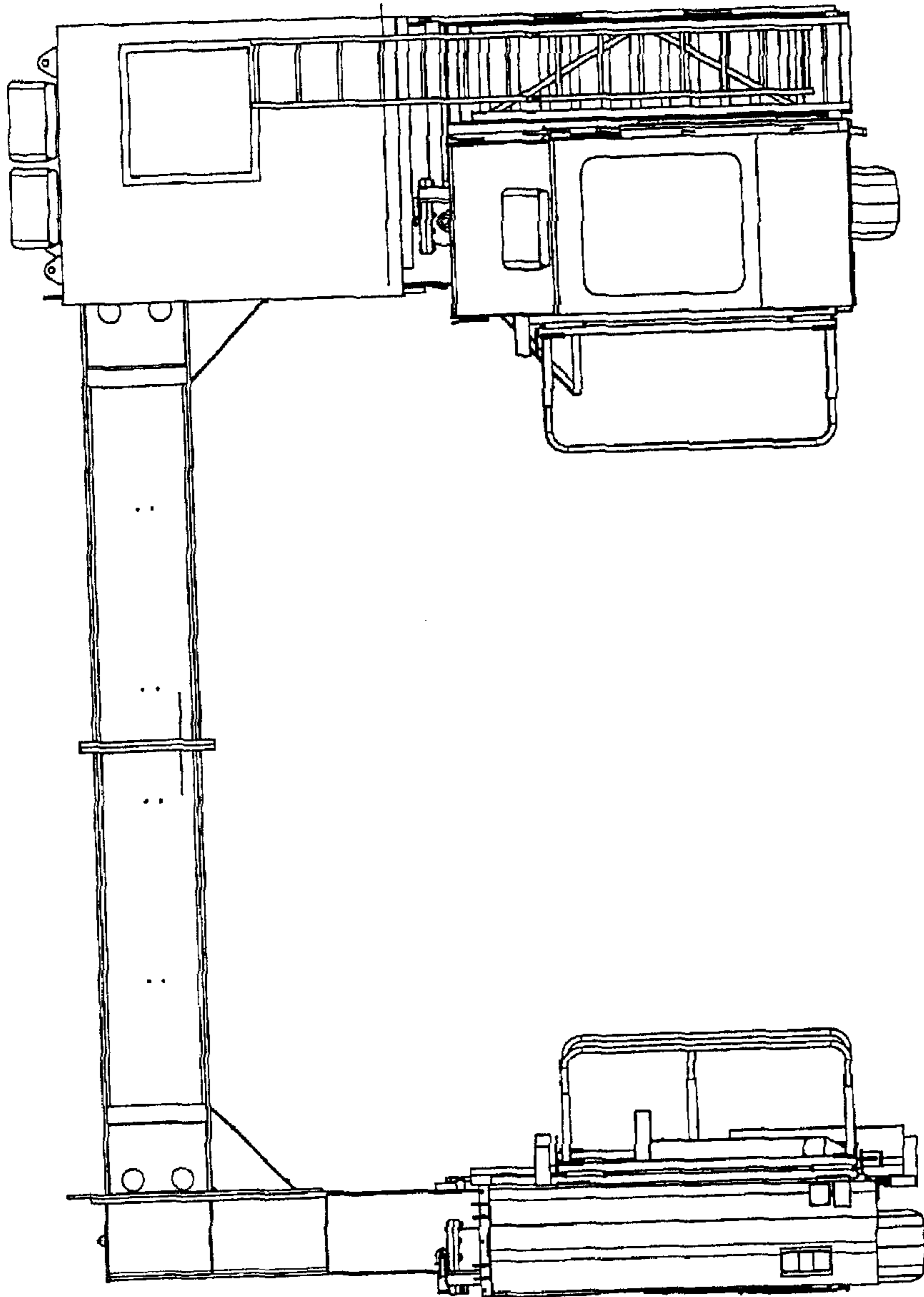


Fig. 7