



US00D538001S

(12) **United States Design Patent**
Pirchl et al.

(10) **Patent No.:** **US D538,001 S**

(45) **Date of Patent:** **** Mar. 6, 2007**

(54) **MOVABLE CONTAINER**

(75) Inventors: **Mathias Pirchl**, Wangs (CH); **Franz Mathis**, Buochs (CH); **Gerhard Pirchl**, Wangs (CH)

(73) Assignee: **Parat-Werk Schonenbach GmbH + Co. KG**, Remscheid (DE)

(**) Term: **14 Years**

(21) Appl. No.: **29/203,972**

(22) Filed: **Apr. 22, 2004**

(30) **Foreign Application Priority Data**

Oct. 24, 2003 (DE) 4 03 06 823

(51) **LOC (8) Cl.** **02-05**

(52) **U.S. Cl.** **D34/28**

(58) **Field of Classification Search** D34/28,
D34/19, 25; D3/279; 280/79.11, 79.3, 47.35,
280/43.23, 43.24

See application file for complete search history.

(56) **References Cited**

U.S. PATENT DOCUMENTS

- D213,080 S * 12/1968 Detanger D34/28
- 3,946,823 A * 3/1976 Oler 180/23
- D255,329 S * 6/1980 Luck D7/605
- D265,434 S * 7/1982 Phillips D34/18
- D296,027 S * 5/1988 Dietzen D34/39
- D296,942 S * 7/1988 Keeter D34/28
- D307,635 S * 5/1990 Gardner, Jr. D24/106

- D336,157 S * 6/1993 Bungler D3/201
- D342,159 S * 12/1993 Daouk D3/272
- D363,162 S * 10/1995 Bungler D3/272
- D398,727 S * 9/1998 Maddux et al. D34/19
- D439,739 S * 4/2001 Murphy D3/272
- D440,369 S * 4/2001 LaFollette et al. D34/19
- D444,930 S * 7/2001 Brown D34/19
- D482,171 S * 11/2003 Vui et al. D34/25

* cited by examiner

Primary Examiner—Cynthia E. Ramirez

(74) *Attorney, Agent, or Firm*—Baker & Daniels LLP

(57) **CLAIM**

The design for a movable container, as shown and described.

DESCRIPTION

FIG. 1 is a perspective view of a movable container showing our new design;

FIG. 2 is a side view thereof;

FIG. 3 is a top view thereof;

FIG. 4 is an end view thereof viewed from the left side of FIG. 2;

FIG. 5 is a bottom view thereof;

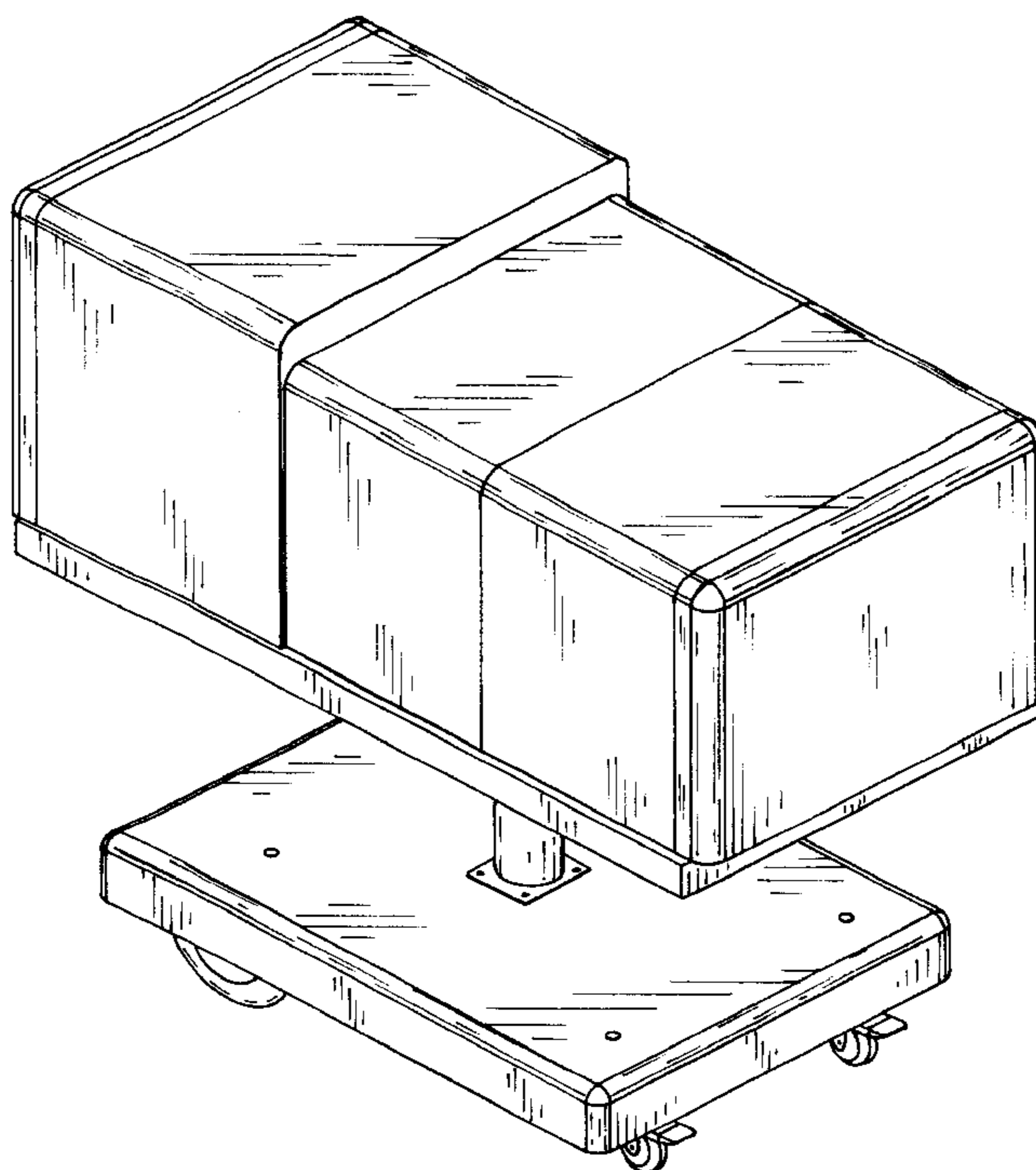
FIG. 6 is a bottom view thereof showing an alternative embodiment of our new design;

FIG. 7 is a side view of the alternative embodiment; and,

FIG. 8 is the opposite side view of the alternative embodiment.

The perspective, top and end views of the alternative embodiment of FIG. 6 are identical to FIGS. 1, 3 and 4.

1 Claim, 4 Drawing Sheets



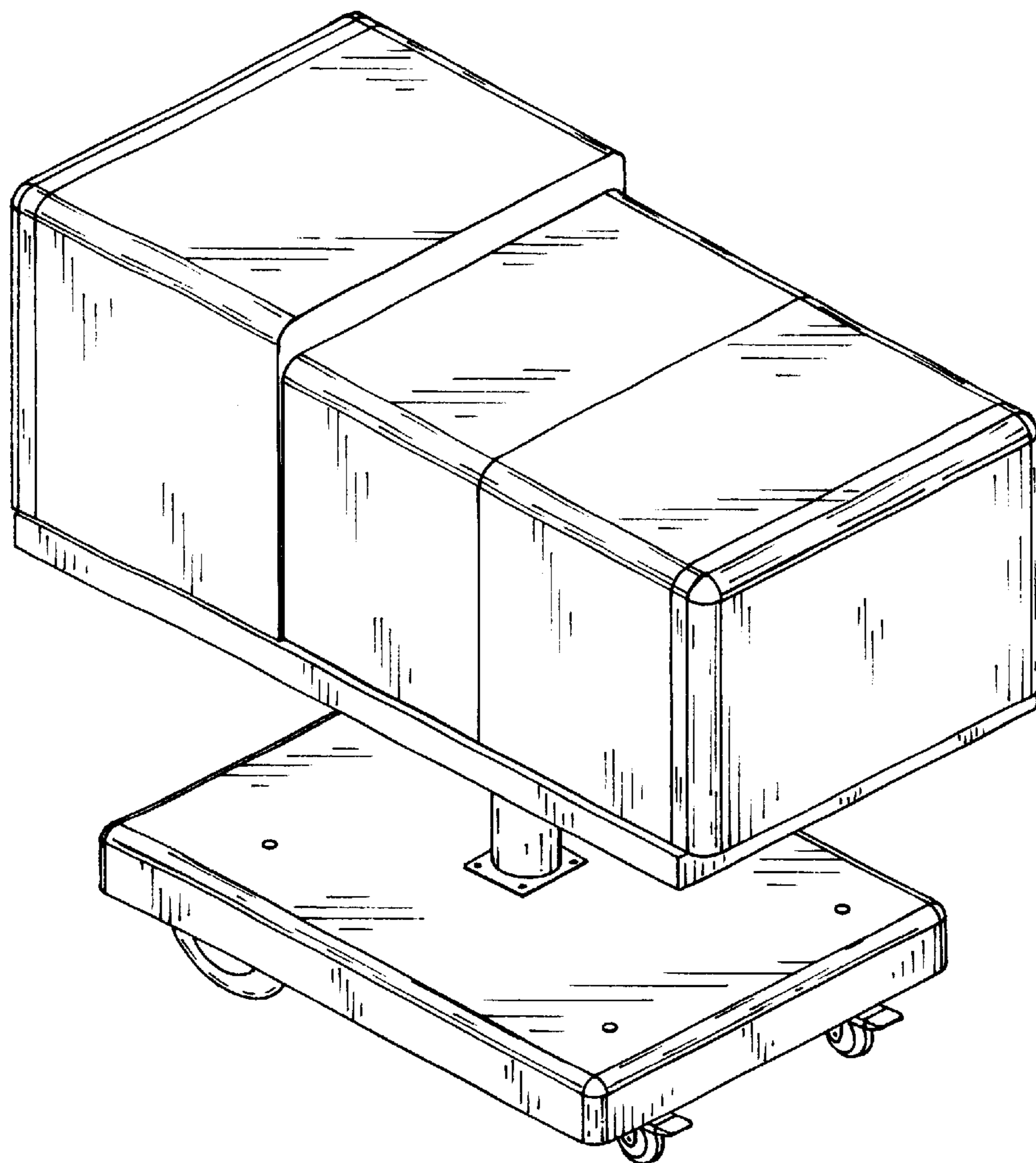


FIG. 1

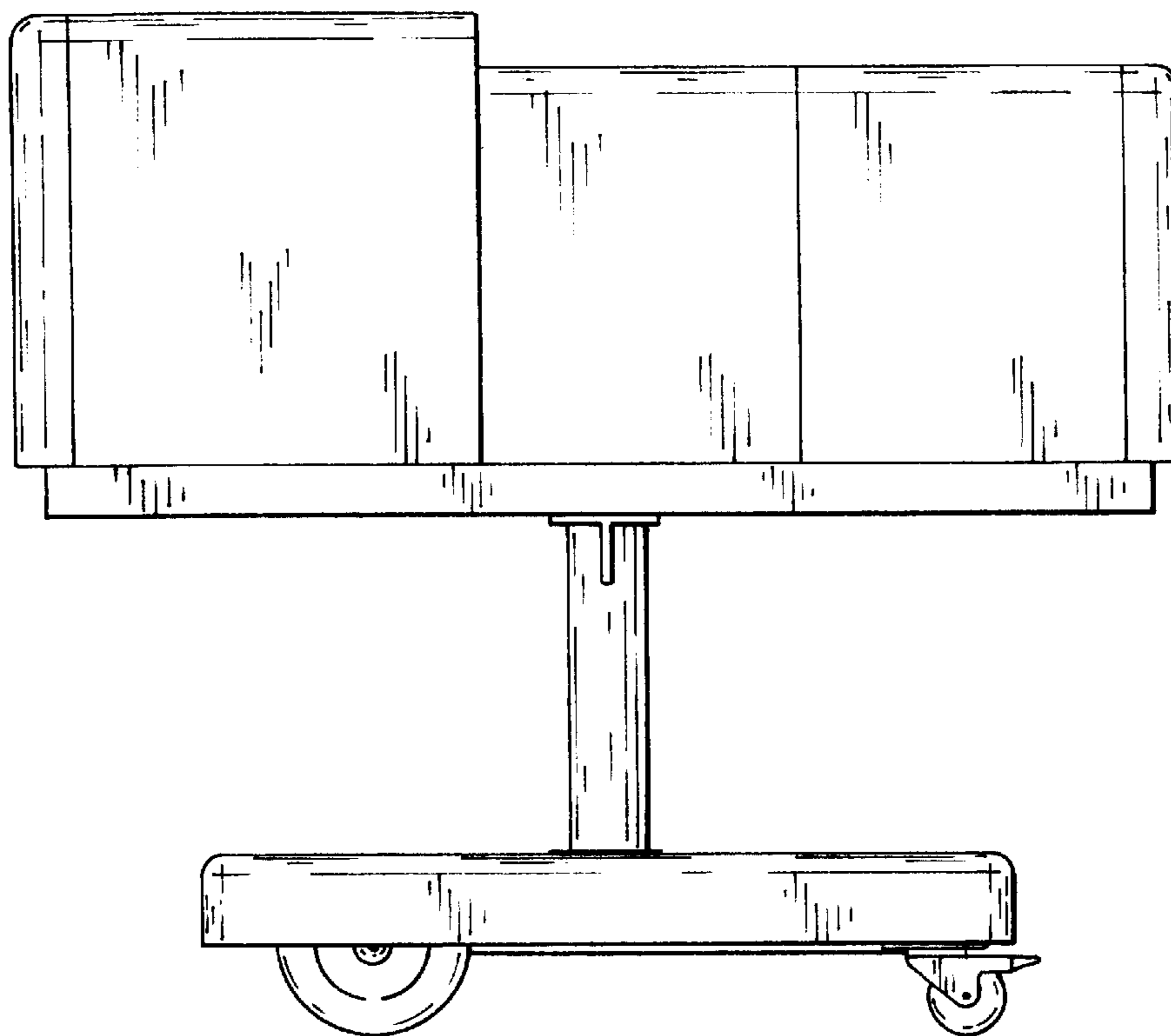


FIG. 2

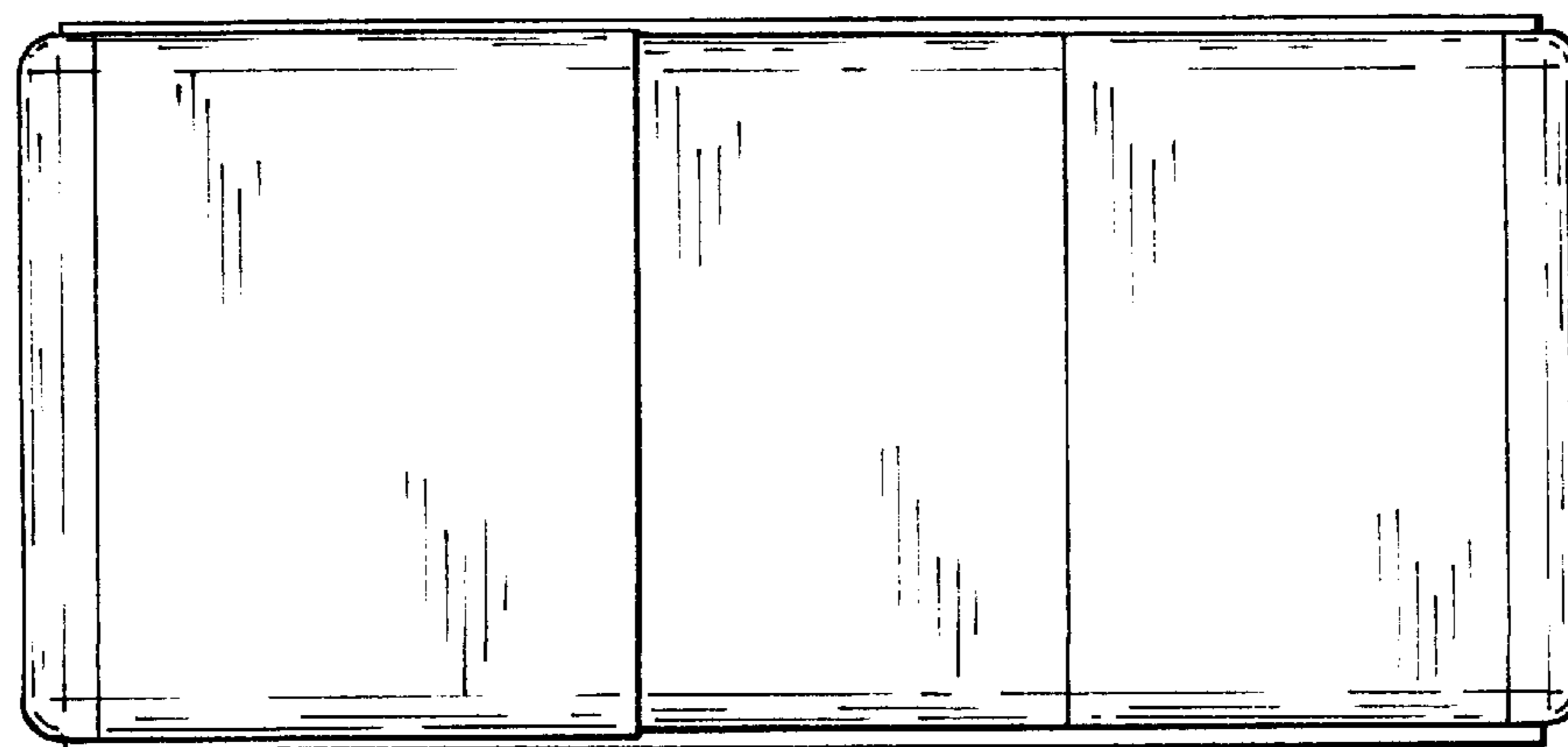


FIG. 3

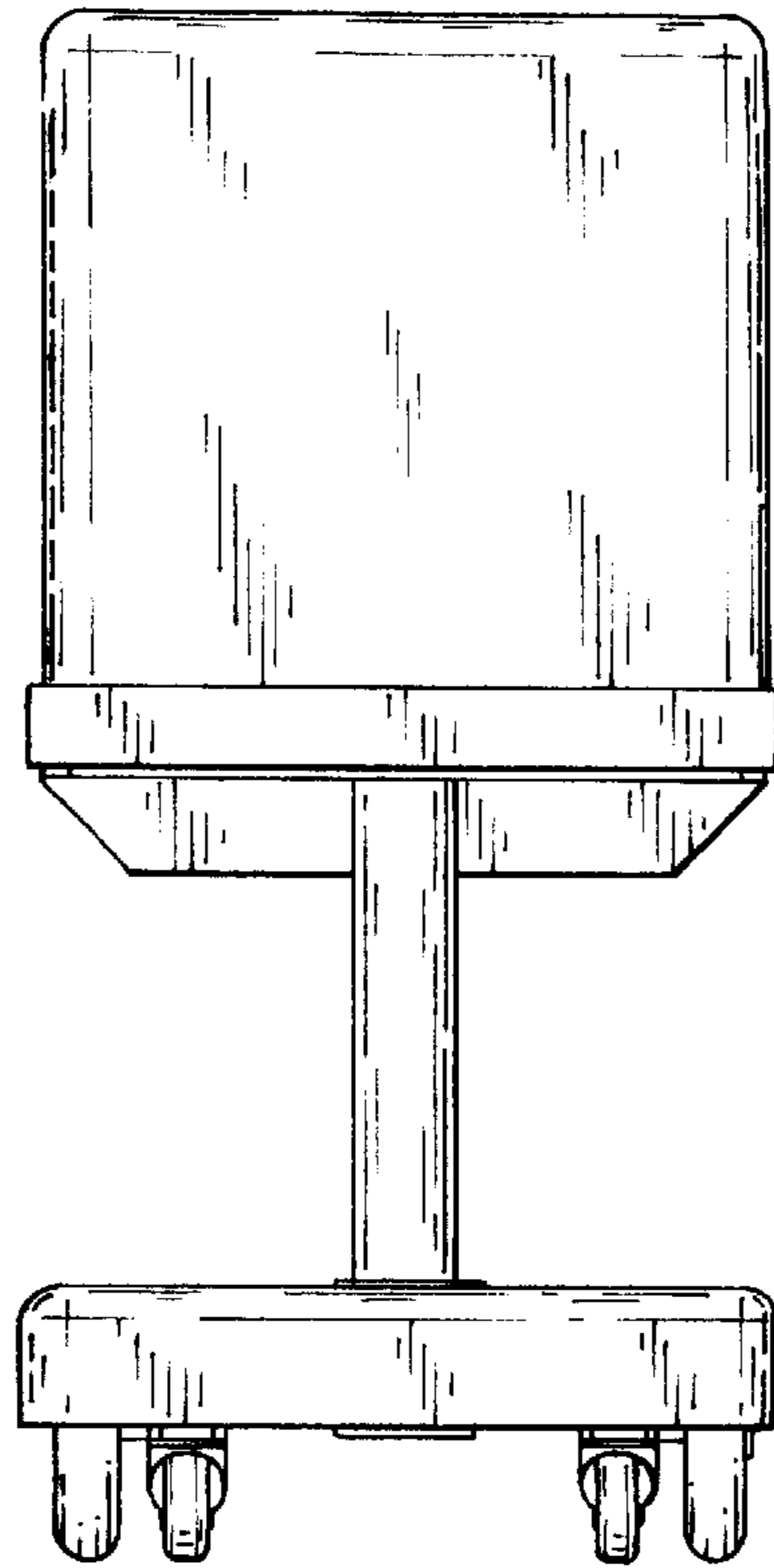


FIG. 4

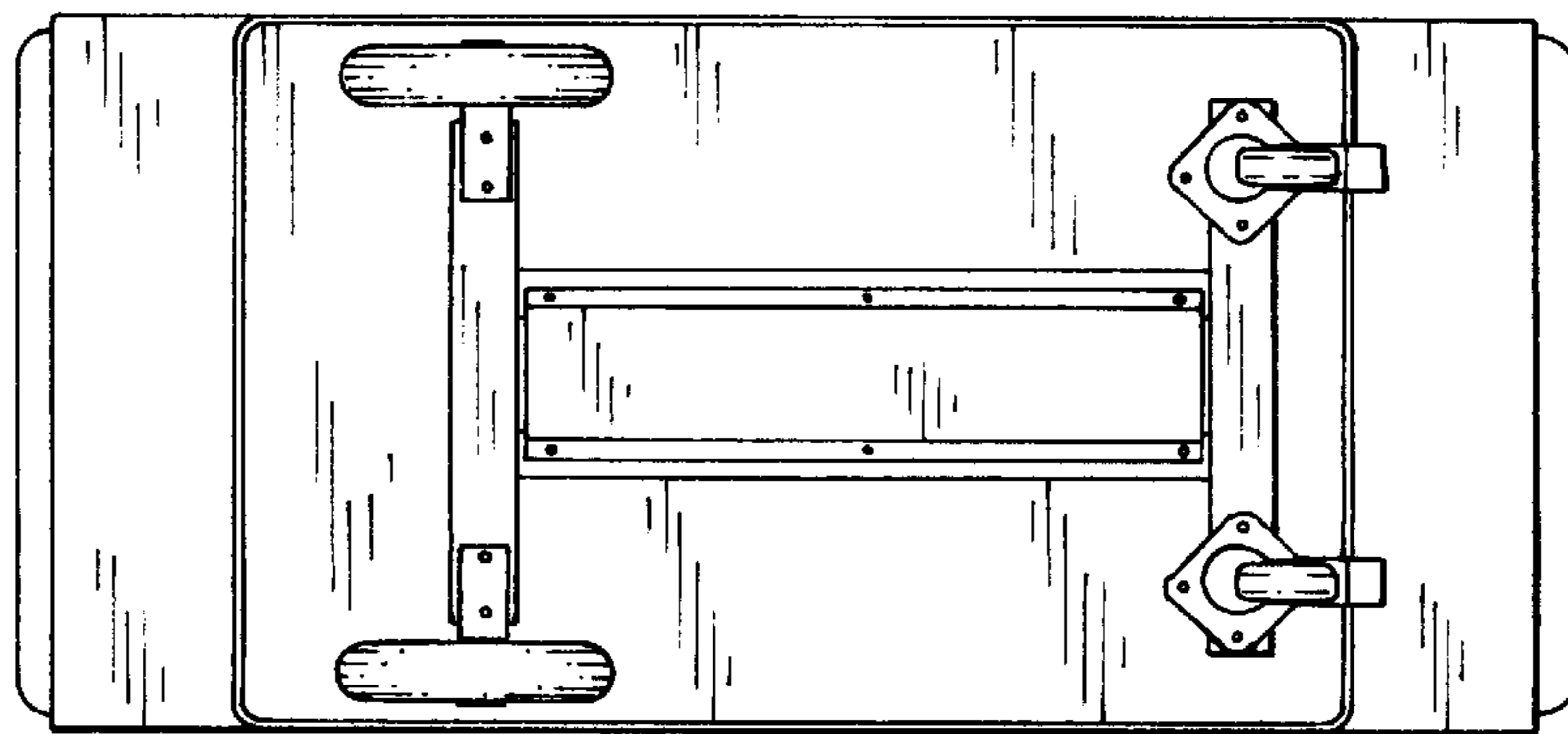


FIG. 5

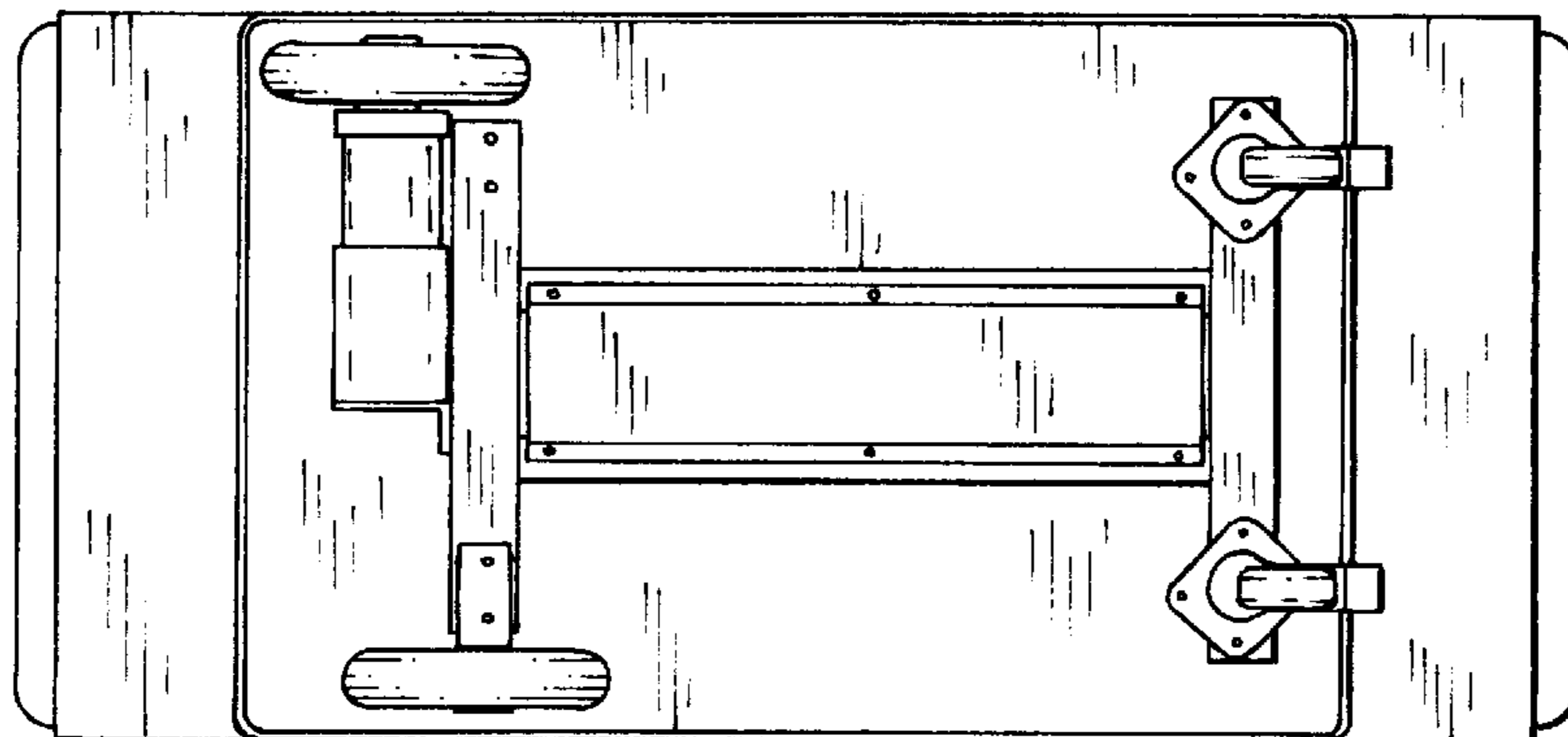


FIG. 6

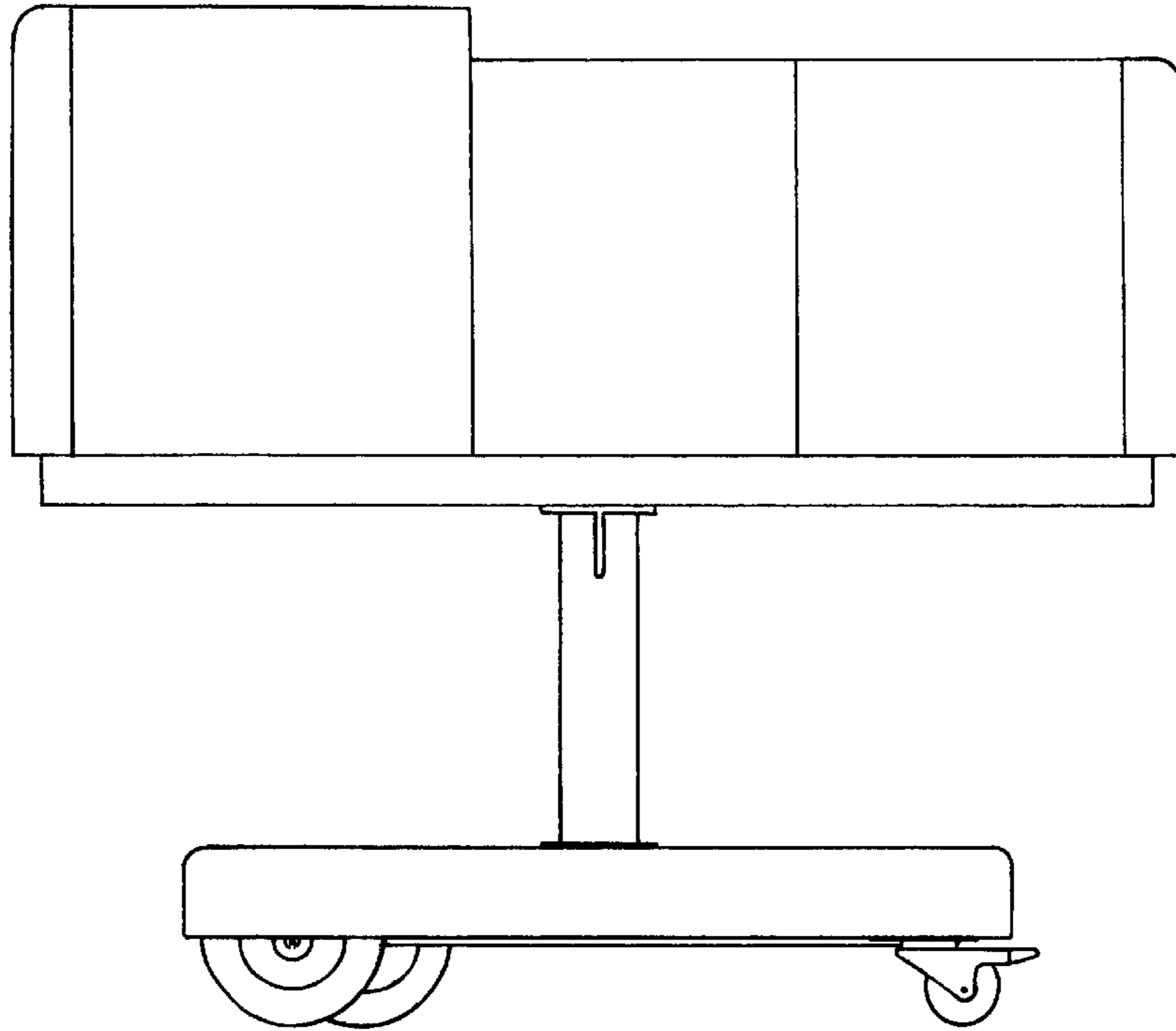


FIG. 7

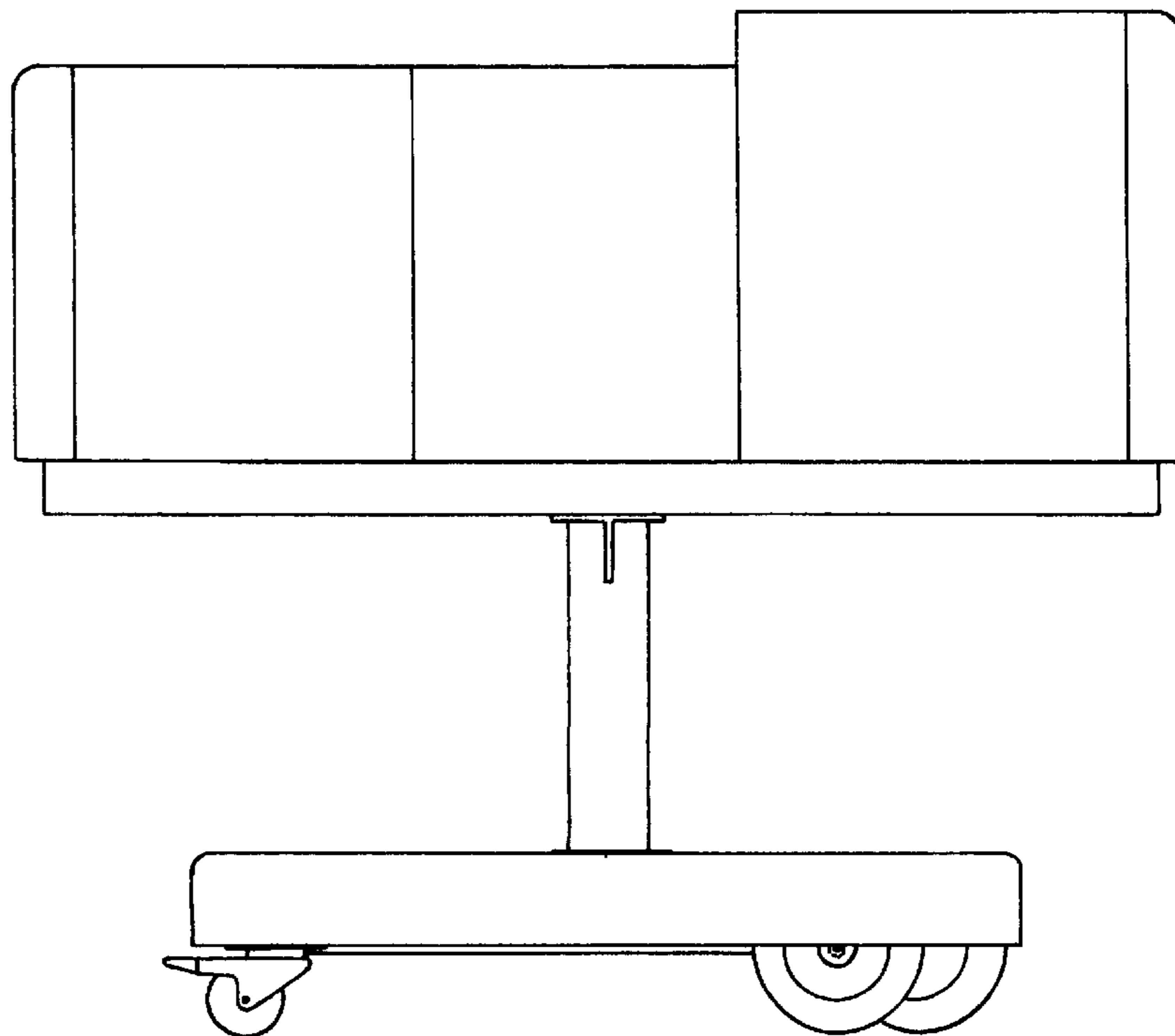


FIG. 8

UNITED STATES PATENT AND TRADEMARK OFFICE
CERTIFICATE OF CORRECTION

PATENT NO. : Des. 538,001 S
APPLICATION NO. : 29/203972
DATED : March 6, 2007
INVENTOR(S) : Mathias Pirchl et al.

Page 1 of 1

It is certified that error appears in the above-identified patent and that said Letters Patent is hereby corrected as shown below:

On the Title Page; Item (73)
Assignee:

delete "Remscheid" and insert --Remscheid--

Signed and Sealed this

Eighth Day of May, 2007

A handwritten signature in black ink on a light gray dotted background. The signature reads "Jon W. Dudas" in a cursive style.

JON W. DUDAS

Director of the United States Patent and Trademark Office