



US00D537996S

(12) **United States Design Patent**  
**Lundy**

(10) **Patent No.:** **US D537,996 S**

(45) **Date of Patent:** **\*\* Mar. 6, 2007**

(54) **PAINTER'S BUCKET**

(76) Inventor: **Michael J. Lundy**, 2718 W. Onza Cir.,  
Mesa, AZ (US) 85202

(\*\*) Term: **14 Years**

(21) Appl. No.: **29/215,128**

(22) Filed: **Oct. 14, 2004**

(51) **LOC (8) Cl.** ..... **07-07**

(52) **U.S. Cl.** ..... **D32/53.1**

(58) **Field of Classification Search** ..... D32/53.1,  
D32/53; D9/341, 347, 424-425; 15/248.1,  
15/257.05-257.06; 206/505, 516-520, 557,  
206/561; 220/500, 505, 529, 532, 544-555,  
220/604, 669, 674-675, 695-697, 699, 735-736,  
220/771, 465.1

See application file for complete search history.

(56) **References Cited**

**U.S. PATENT DOCUMENTS**

- 4,164,299 A \* 8/1979 Fuhr ..... 220/555
- 4,436,217 A \* 3/1984 Ritter ..... 220/736
- 5,400,916 A \* 3/1995 Weber ..... 220/495.02

- 5,549,216 A \* 8/1996 Scholl ..... 220/695
- 5,810,196 A 9/1998 Lundy
- 6,138,963 A \* 10/2000 Malvasio ..... 248/111
- D477,702 S \* 7/2003 Kohn ..... D32/53.1
- D483,917 S \* 12/2003 Frantz ..... D32/53.1

\* cited by examiner

*Primary Examiner*—Pamela J. Burgess

(74) *Attorney, Agent, or Firm*—Parsons & Goltry; Robert  
A. Parsons; Michael W. Goltry

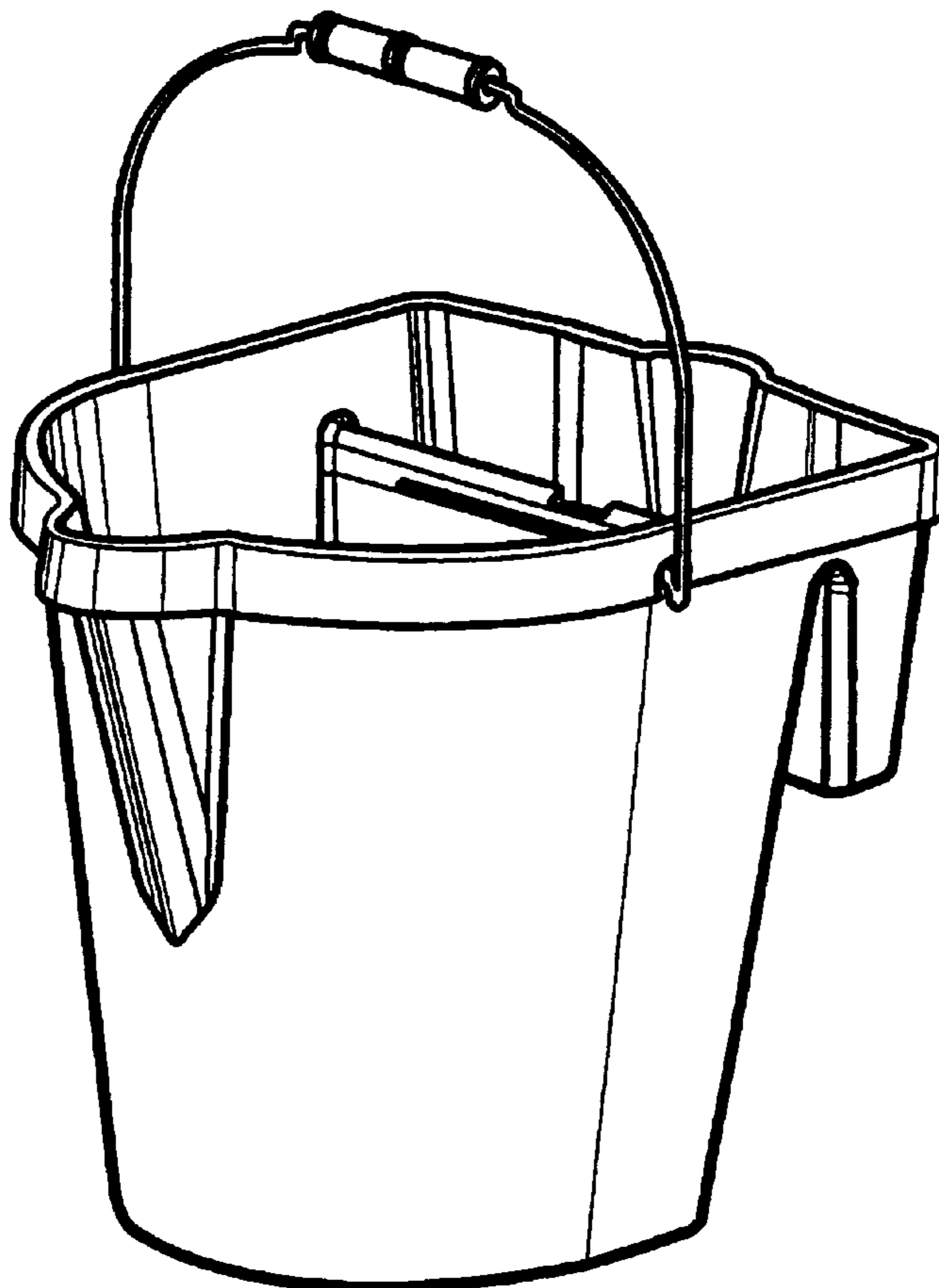
(57) **CLAIM**

The ornamental design for a painter's bucket, as shown and  
described.

**DESCRIPTION**

FIG. 1 is a perspective view of a painter's bucket showing  
my new design;  
FIG. 2 is a bottom plan view thereof;  
FIG. 3 is a side elevation view thereof, the opposite side  
elevation view being a substantial mirror image thereof;  
FIG. 4 is a top plan view thereof; and,  
FIG. 5 is a front elevation view thereof.

**1 Claim, 1 Drawing Sheet**



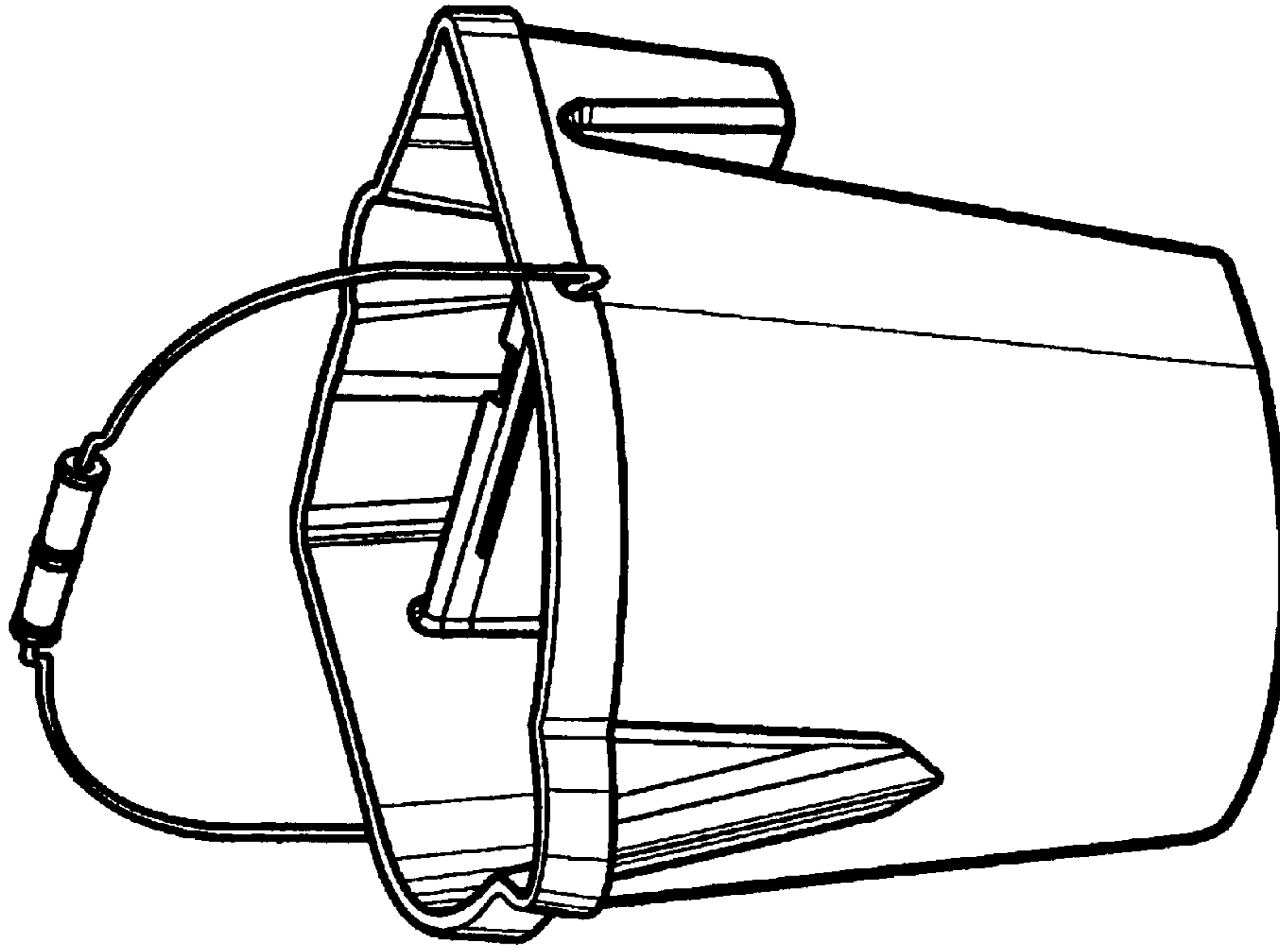


FIGURE 1

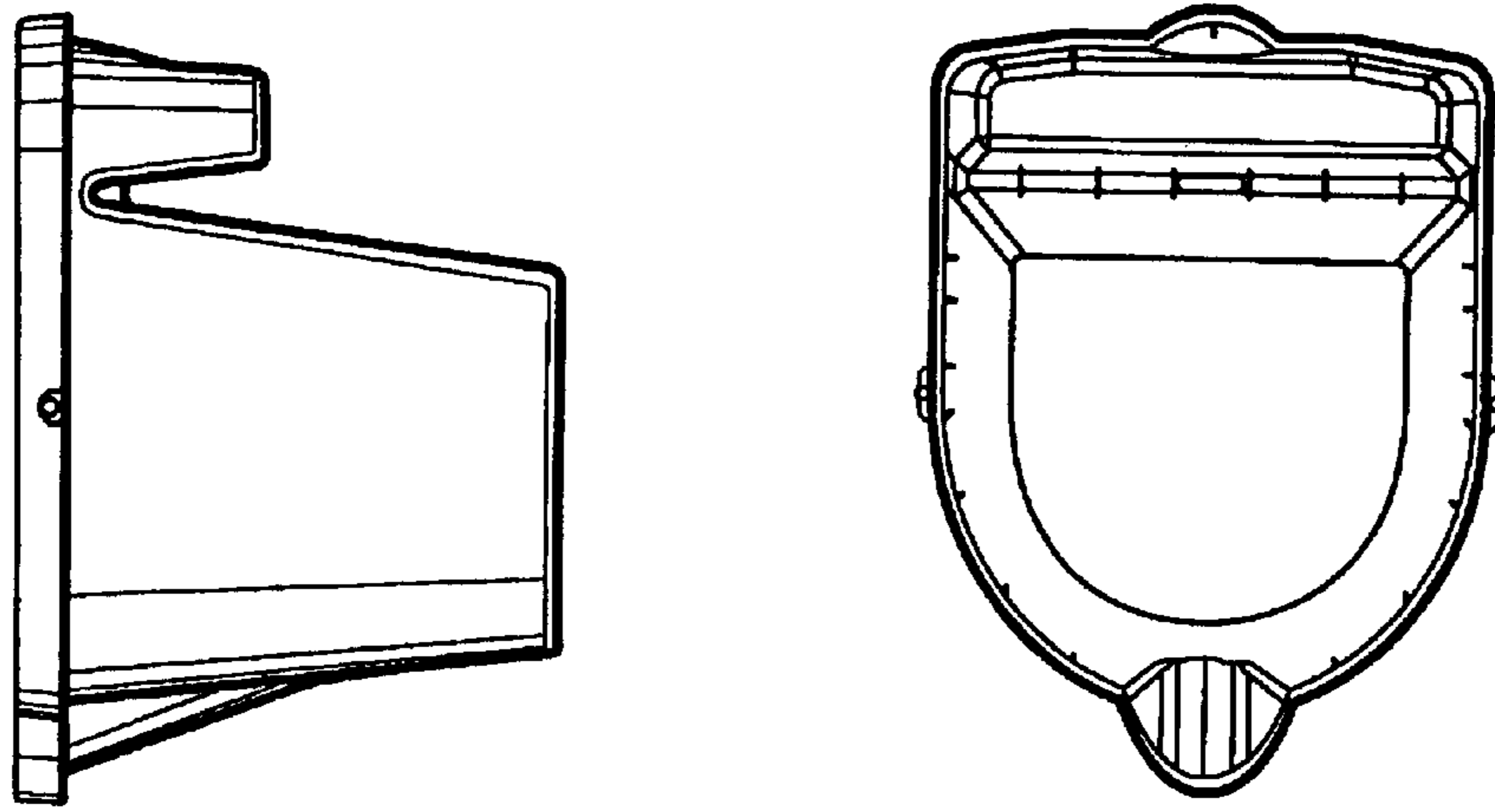


FIGURE 2

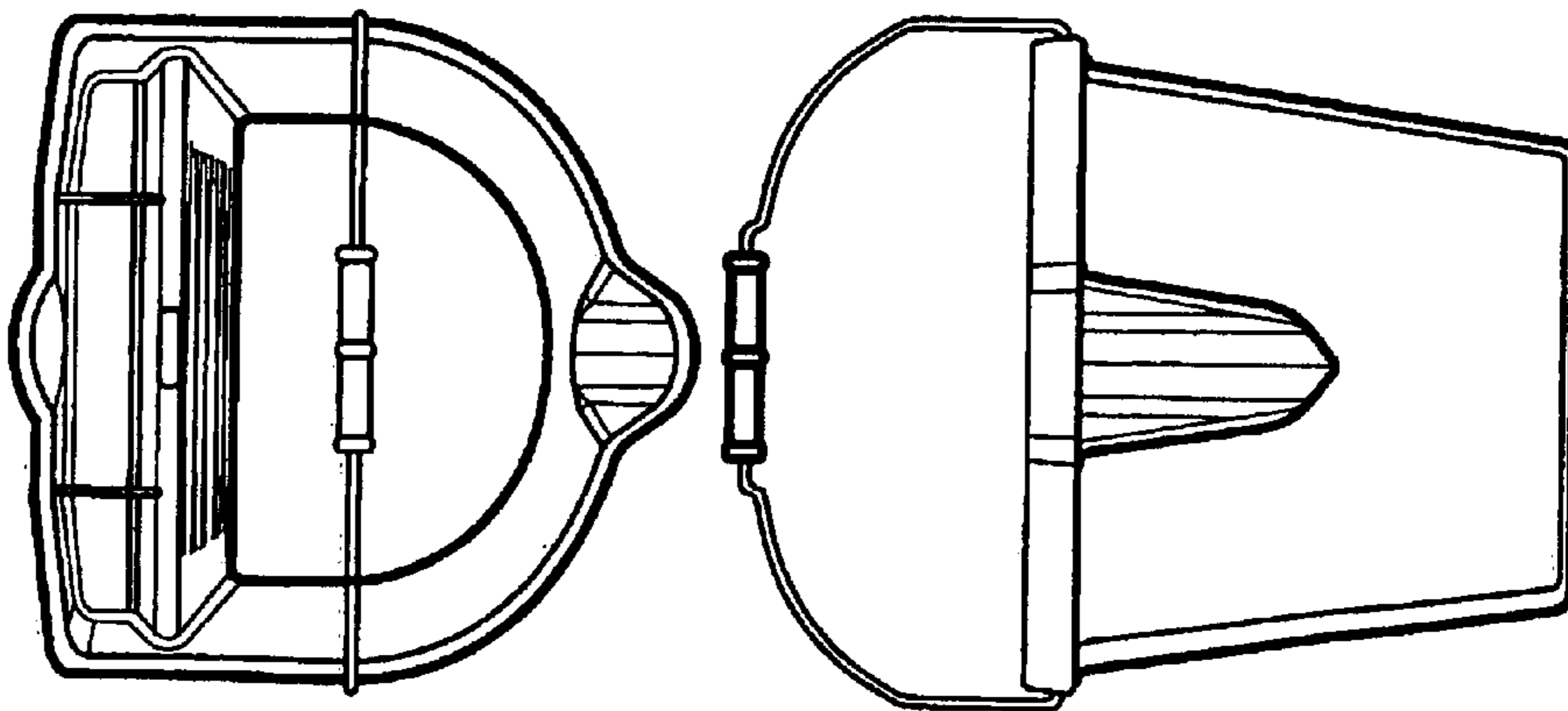


FIGURE 3

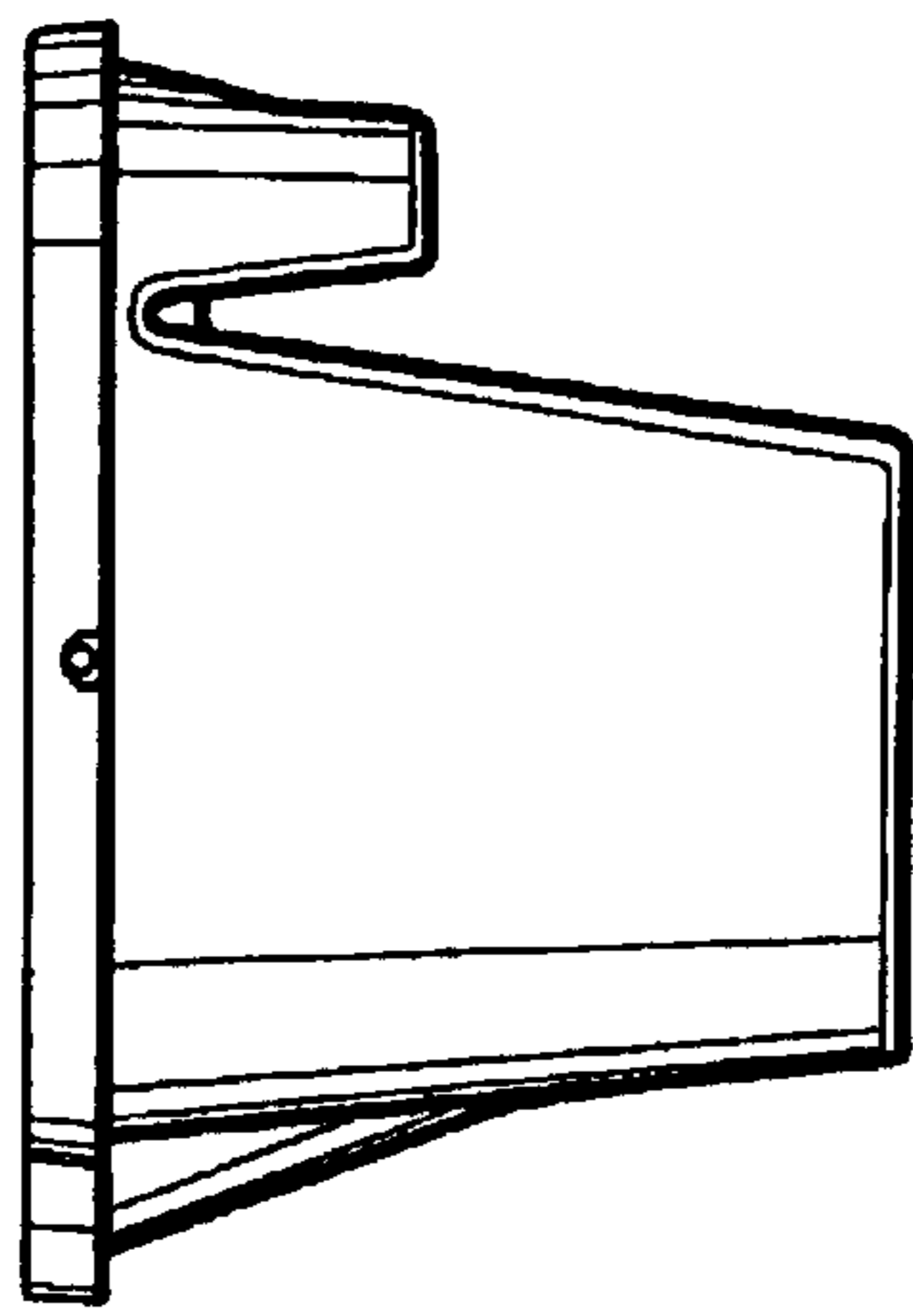


FIGURE 4

FIGURE 5