



US00D537994S

(12) **United States Design Patent**
Leyden

(10) **Patent No.:** **US D537,994 S**

(45) **Date of Patent:** **** Mar. 6, 2007**

(54) **UPRIGHT VACUUM CLEANER CANISTER BODY**

(75) Inventor: **Christian S. Leyden**, Danville, KY (US)

(73) Assignee: **Panasonic Corporation of North America**, Secaucus, NJ (US)

(**) Term: **14 Years**

(21) Appl. No.: **29/234,094**

(22) Filed: **Jul. 13, 2005**

(51) **LOC (8) Cl.** **15-05**

(52) **U.S. Cl.** **D32/31**

(58) **Field of Classification Search** D32/22, D32/31; 15/222, 320-322, 326, 329, 347, 15/350, 352-354, 361, 410, 412, 415.1; 55/337, 55/345, 459.1, 429, DIG. 3

See application file for complete search history.

(56) **References Cited**

U.S. PATENT DOCUMENTS

D398,098 S	9/1998	Mehaffey et al.	
D416,114 S	11/1999	Mehaffey	
D442,344 S	* 5/2001	Alford et al. D32/31
D442,750 S	* 5/2001	Saunders et al. D32/31
D442,751 S	5/2001	Mehaffey et al.	
D444,275 S	6/2001	Mehaffey	
6,260,234 B1	7/2001	Wright et al.	

D460,227 S	7/2002	Leyden	
D461,285 S	8/2002	Hammond	
D485,027 S	1/2004	Brown	
D487,323 S	3/2004	Leyden et al.	
D488,272 S	4/2004	Leyden et al.	
D488,894 S	4/2004	Leyden	
D489,850 S	5/2004	Elrod et al.	
D497,042 S	10/2004	Elrod	
D515,755 S	* 2/2006	Leyden D32/31
2005/0044657 A1	* 3/2005	Shanor et al. 15/353
2005/0060835 A1	* 3/2005	Kondo 15/347

* cited by examiner

Primary Examiner—Ruth McInroy

(74) *Attorney, Agent, or Firm*—King & Schickli, PLLC

(57) **CLAIM**

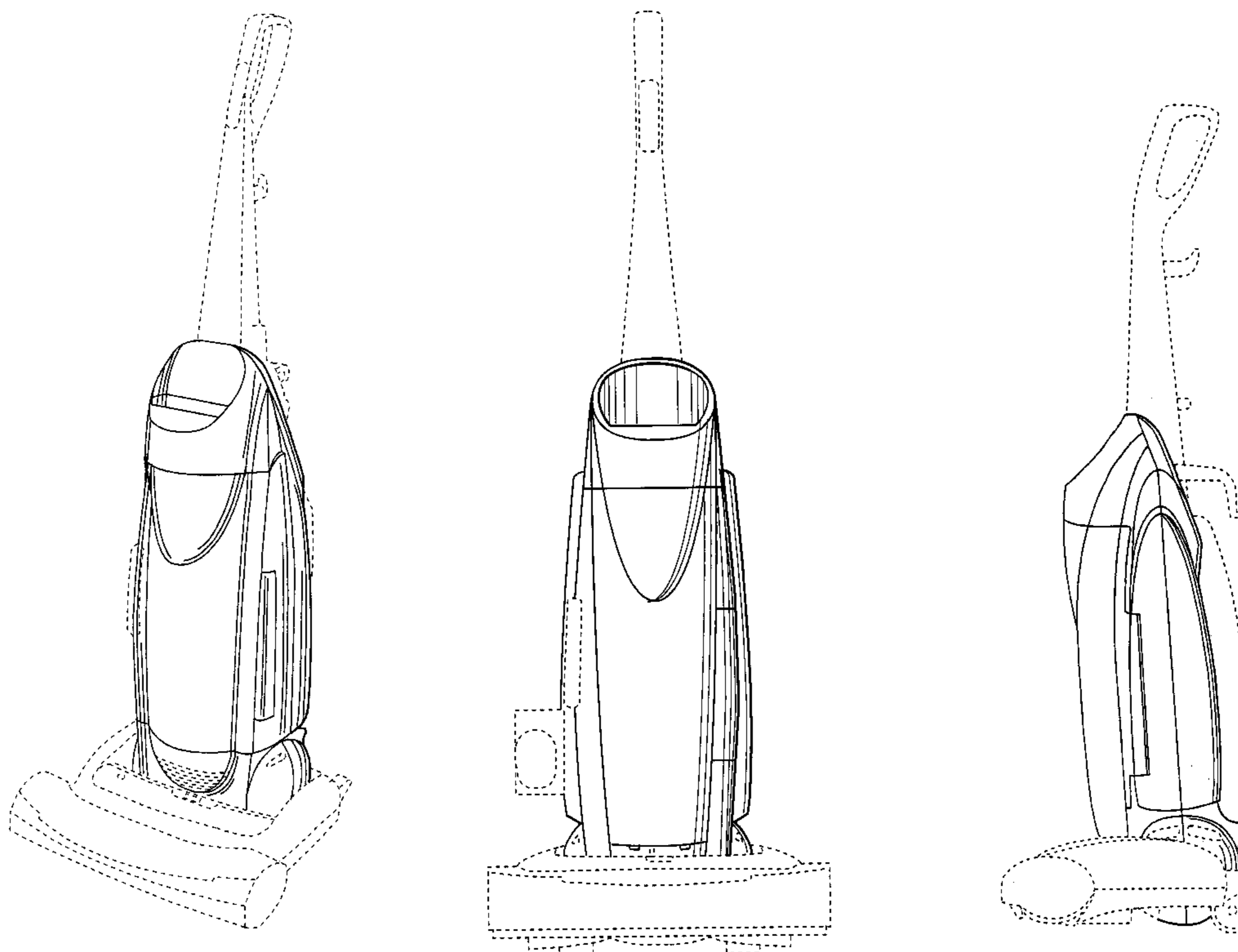
The ornamental design for an upright vacuum cleaner canister body, as shown and described.

DESCRIPTION

FIG. 1 is a perspective view of an upright vacuum cleaner canister body showing my new design; FIG. 2 is a front elevational view thereof; FIG. 3 is a right side elevational view thereof; FIG. 4 is a rear elevational view thereof; FIG. 5 is a left side elevational view thereof; and, FIG. 6 is a top plan view thereof.

The broken lines in the Figures are for illustrative purposes only and form no part of the claimed design.

1 Claim, 6 Drawing Sheets



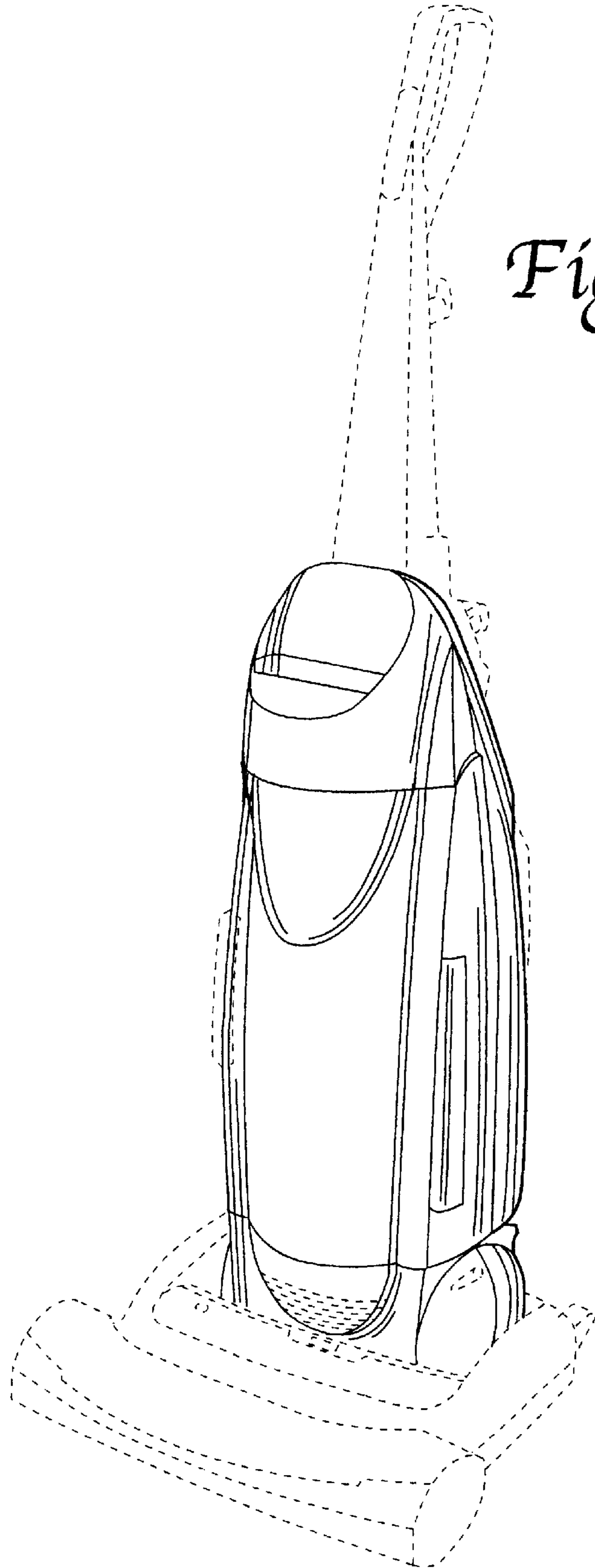


Fig. 1

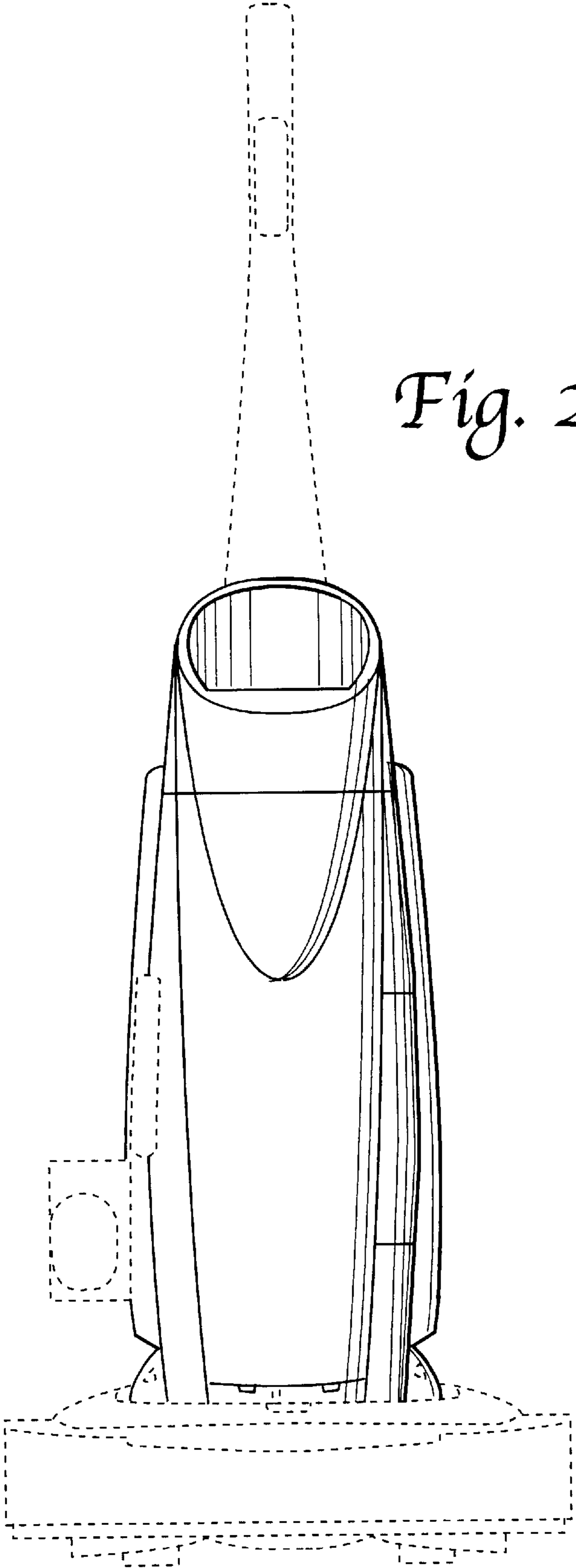


Fig. 2

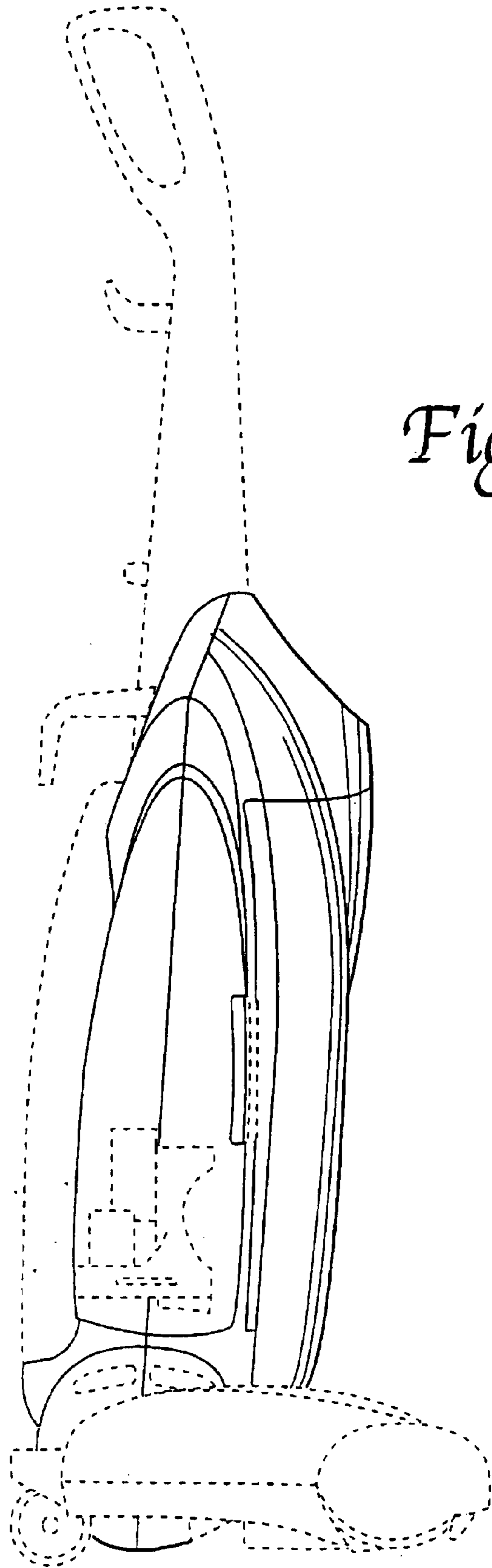


Fig. 3

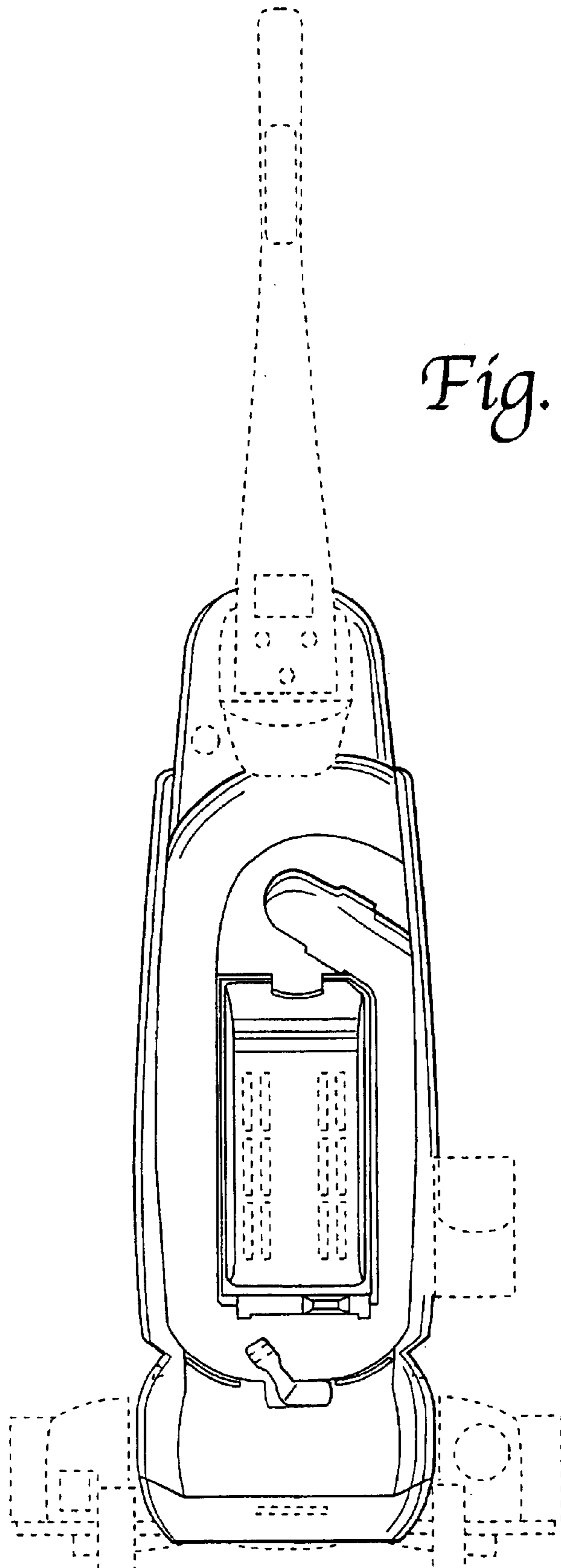


Fig. 4

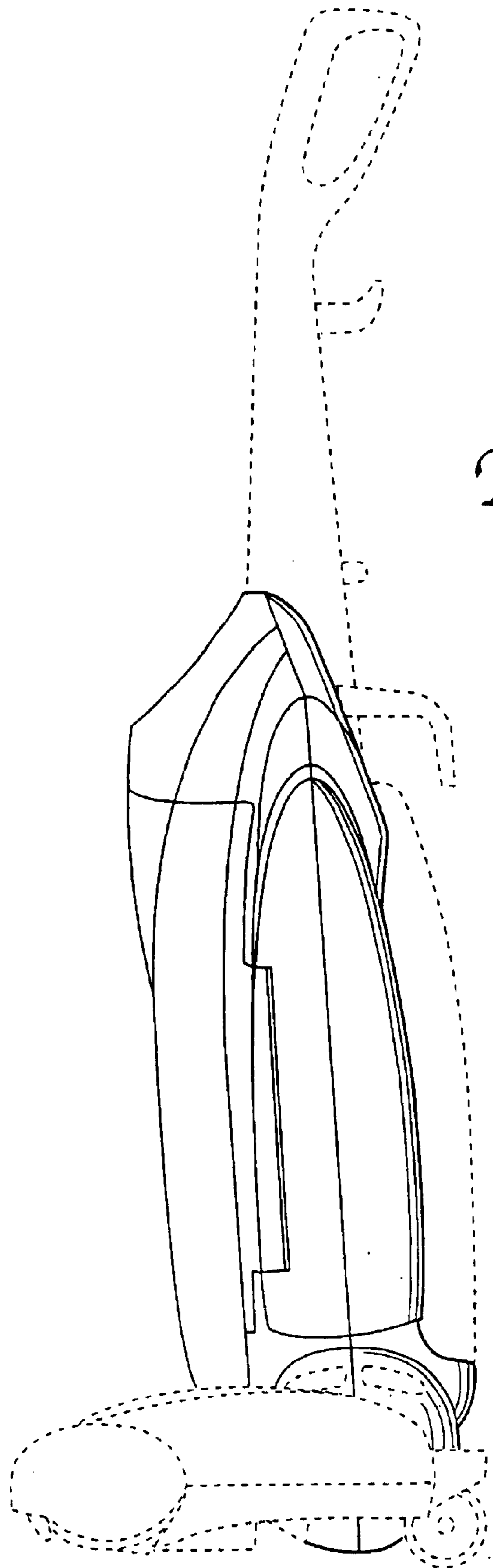


Fig. 5

Fig. 6

