



US00D537993S

(12) **United States Design Patent**
Deleo

(10) **Patent No.:** **US D537,993 S**
(45) **Date of Patent:** **** Mar. 6, 2007**

(54) **VACUUM FLOOR POLISHER**

(76) Inventor: **Joseph Deleo**, 8 Lakeside Drive,
Broadmeadows (AU), VIC 3047

(**) Term: **14 Years**

(21) Appl. No.: **29/262,490**

(22) Filed: **Jul. 3, 2006**

Related U.S. Application Data

(63) Continuation of application No. 29/197,432, filed on Jan. 15,
2004, now abandoned.

(51) **LOC (8) Cl.** **15-05**

(52) **U.S. Cl.** **D32/25**

(58) **Field of Classification Search** D32/1,
D32/15-19, 21-23, 25, 31-34; D4/119, 102;
15/320-321, 49.1, 50.1, 322, 327.1, 329,
15/353, 400, 414-422.1; D8/61-62
See application file for complete search history.

(56) **References Cited**

U.S. PATENT DOCUMENTS

- D307,068 S * 4/1990 Bradd D32/19
- D346,679 S * 5/1994 Bradd et al. D32/22
- D425,268 S * 5/2000 Morokutti D32/20
- D425,273 S * 5/2000 Stephens et al. D32/32

- D458,719 S * 6/2002 Waldron et al. D32/21
- D497,694 S * 10/2004 Wareham et al. D32/19
- D524,498 S * 7/2006 Luebbering et al. D32/32
- D525,001 S * 7/2006 Vassanelli D32/15

* cited by examiner

Primary Examiner—Louis S. Zarfaz

Assistant Examiner—Kathleen Sims

(74) *Attorney, Agent, or Firm*—Volpe and Koenig, PC

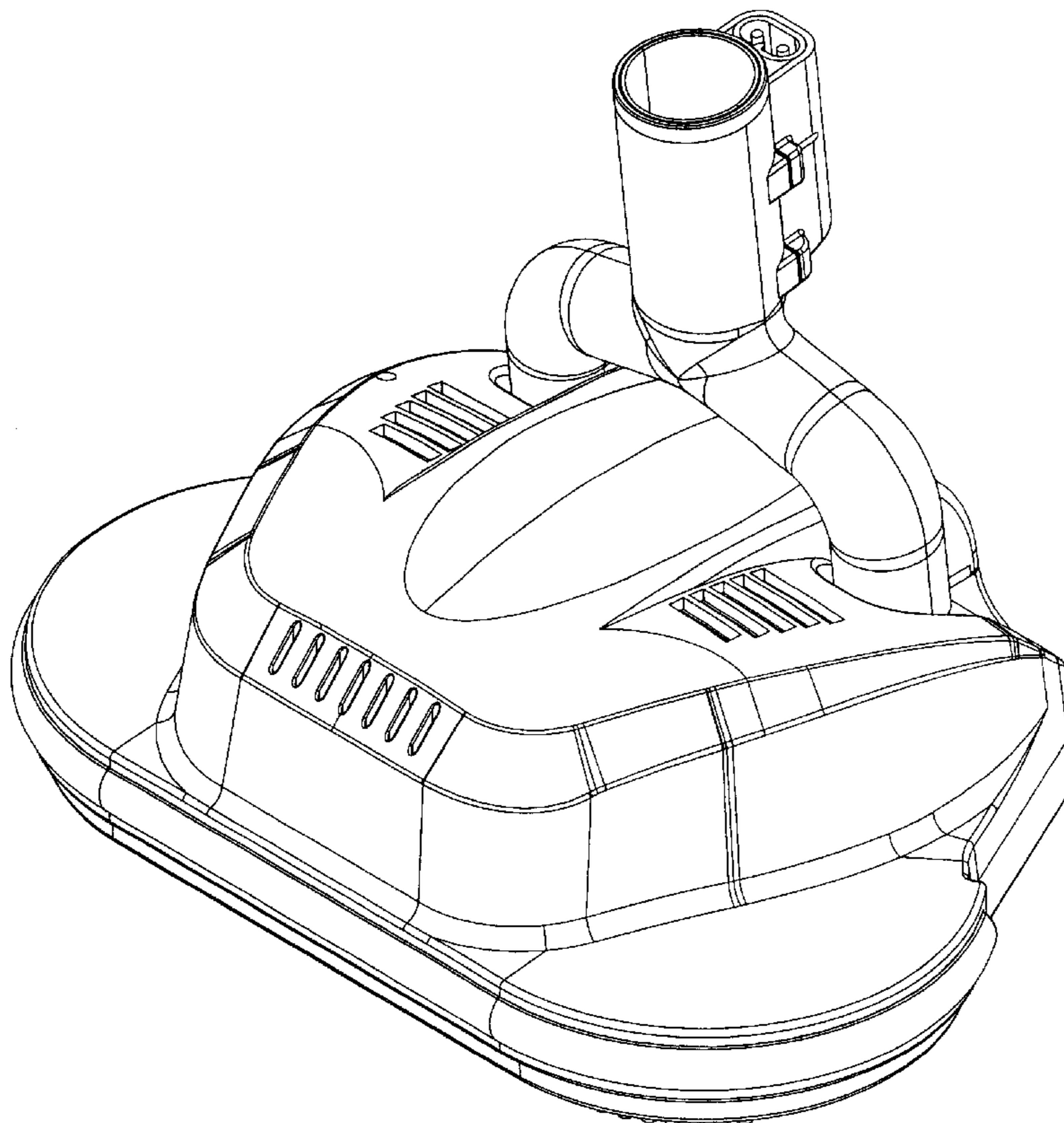
(57) **CLAIM**

The ornamental design for vacuum floor polisher, as shown
and described.

DESCRIPTION

FIG. 1 is a perspective view of a vacuum floor polisher according to my new design;
 FIG. 2 is a right-side elevational view of the vacuum floor polisher of FIG. 1, the opposite side being a mirror image;
 FIG. 3 is a front elevational view of the vacuum floor polisher of FIG. 1;
 FIG. 4 is a rear elevational view of the vacuum floor polisher of FIG. 1;
 FIG. 5 is a top view of the vacuum floor polisher of FIG. 1;
 and,
 FIG. 6 is a bottom view of the vacuum floor polisher of FIG. 1.

1 Claim, 6 Drawing Sheets



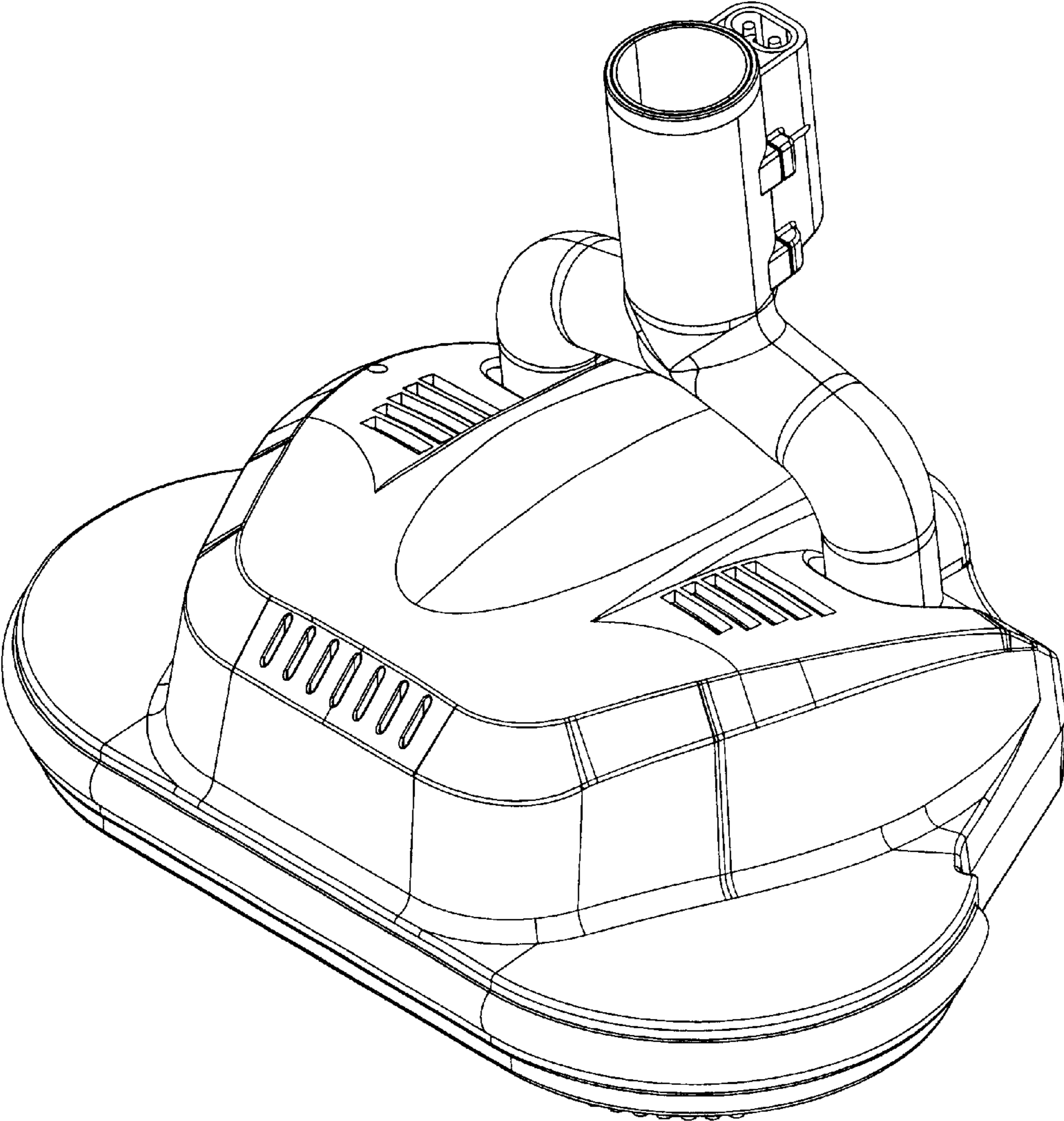


FIG. 1

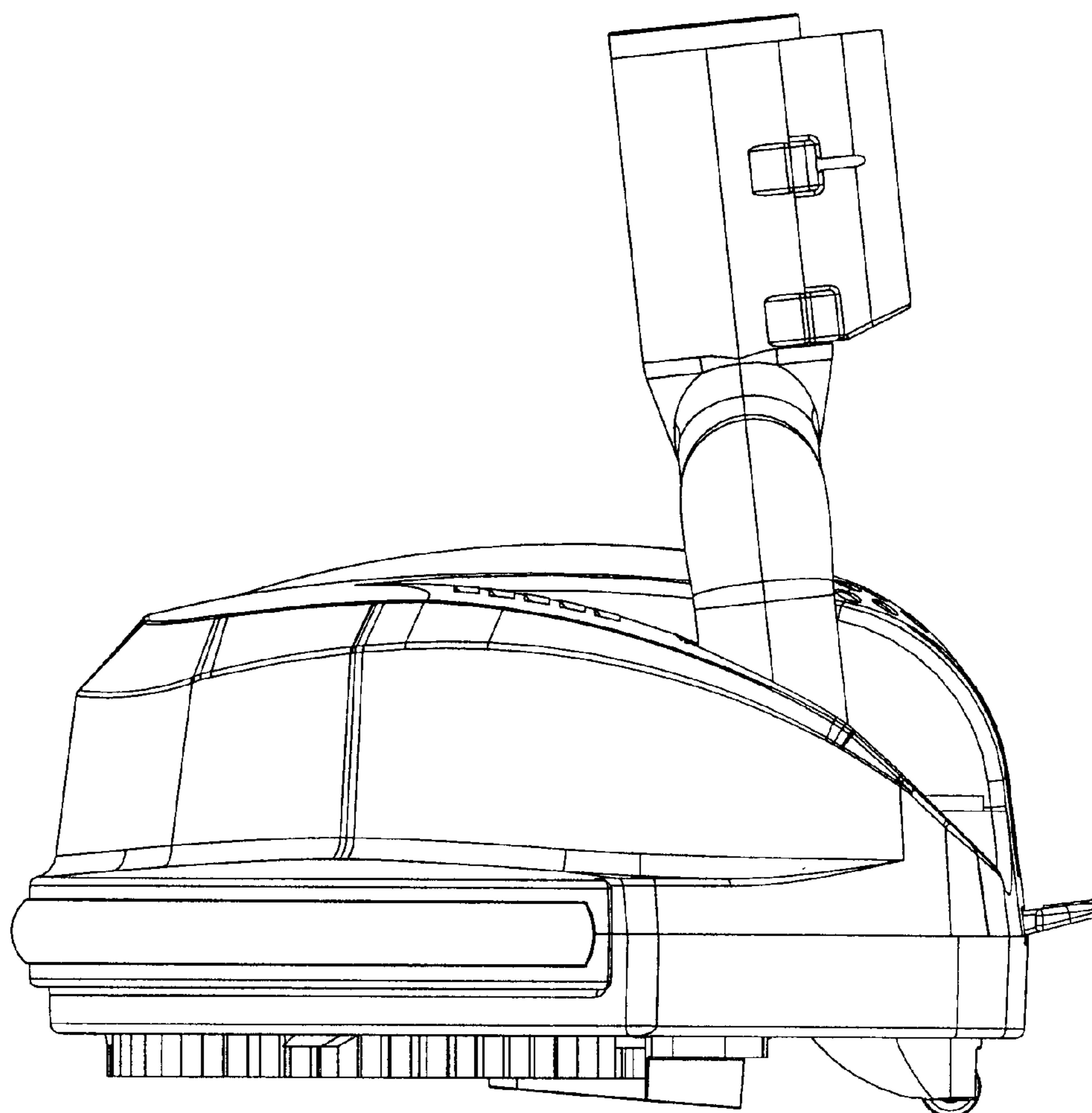


FIG. 2

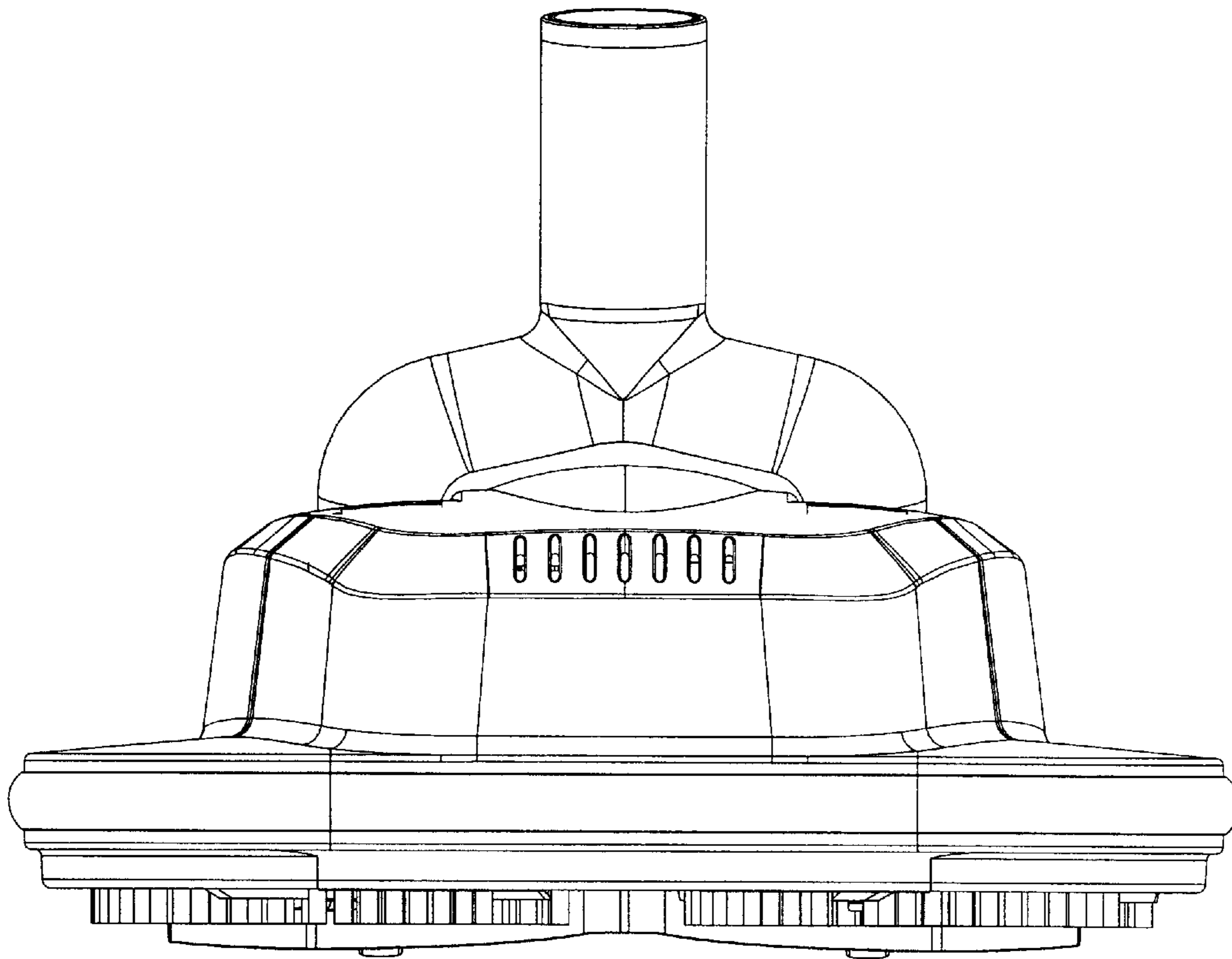


FIG. 3

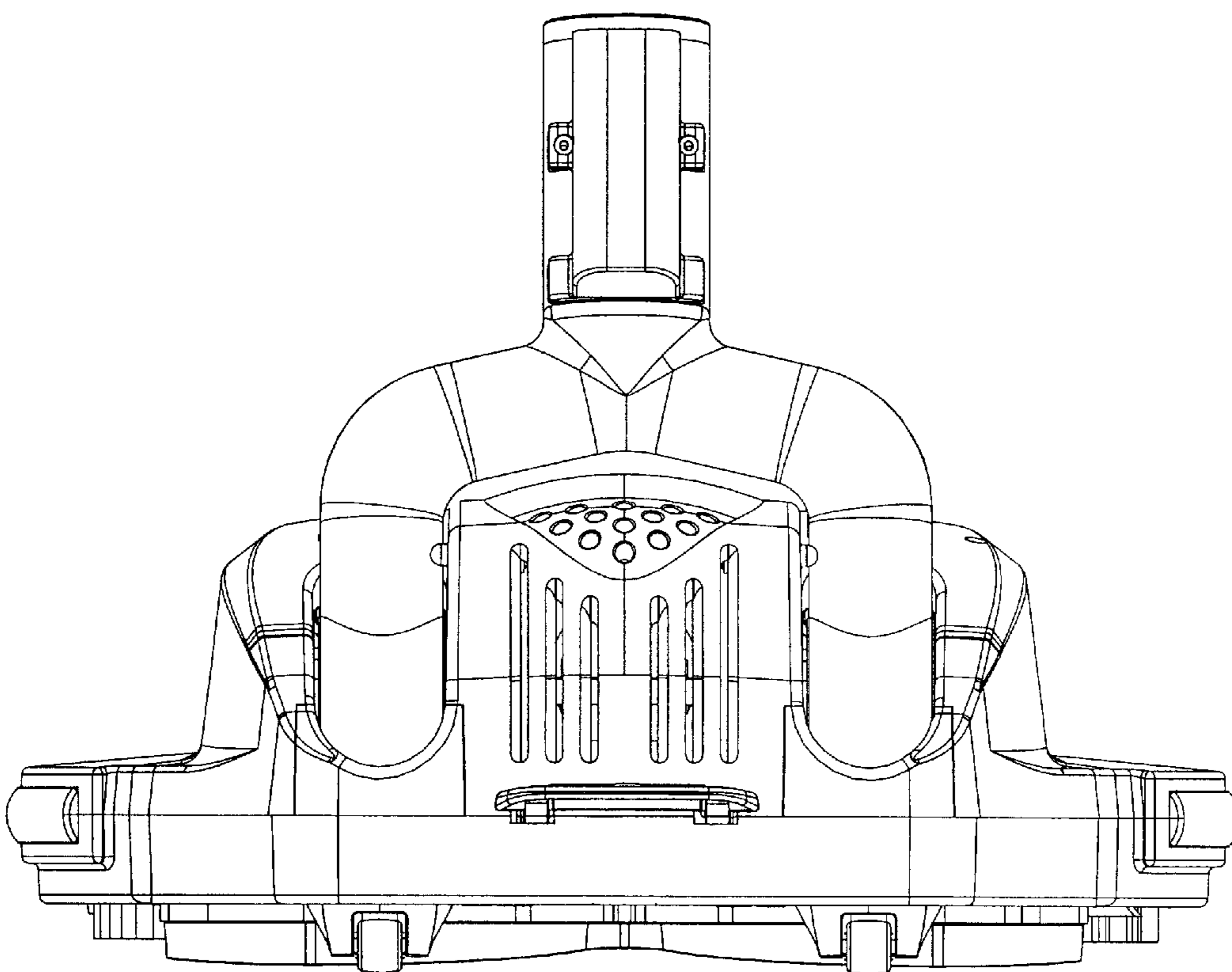


FIG. 4

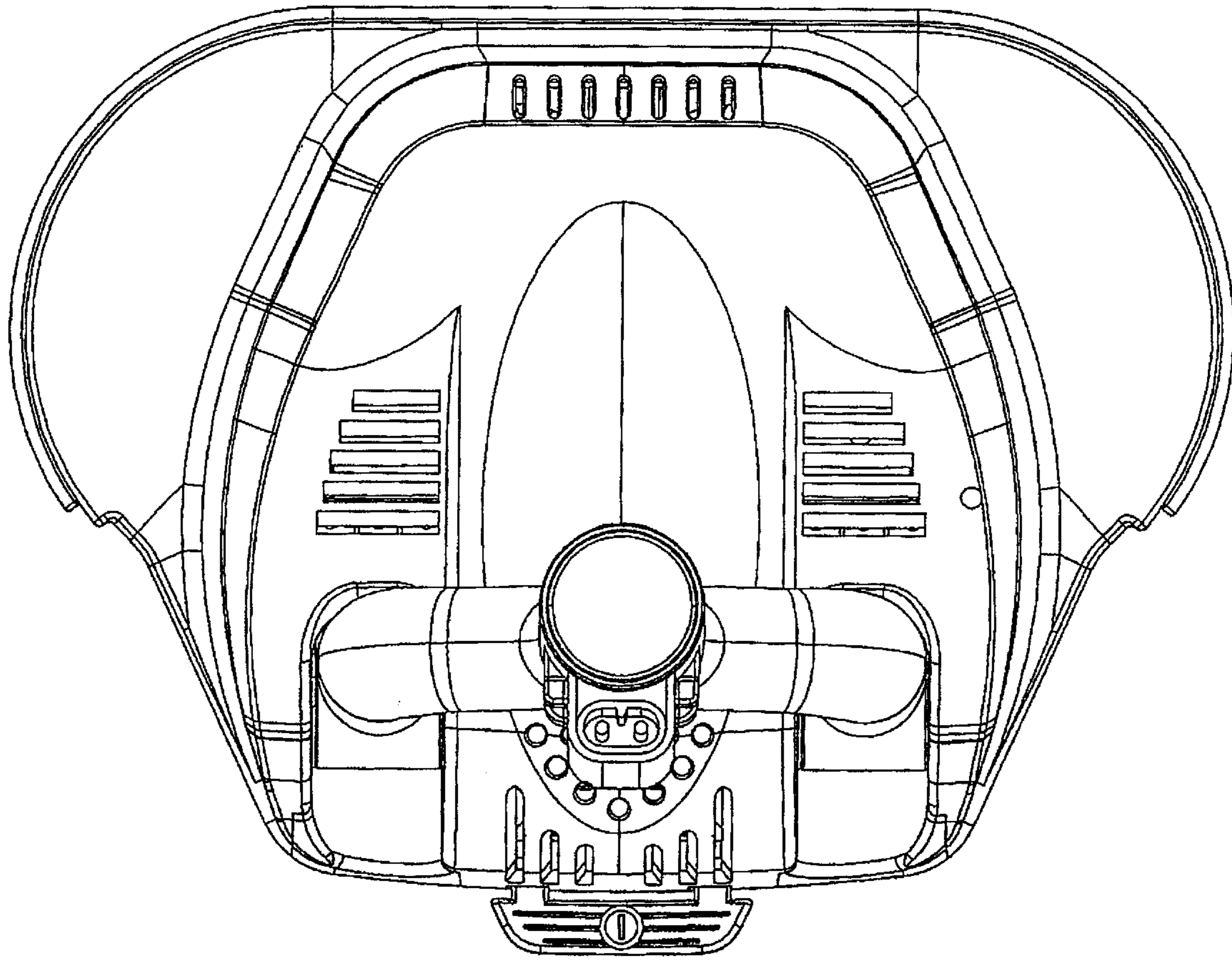


FIG. 5

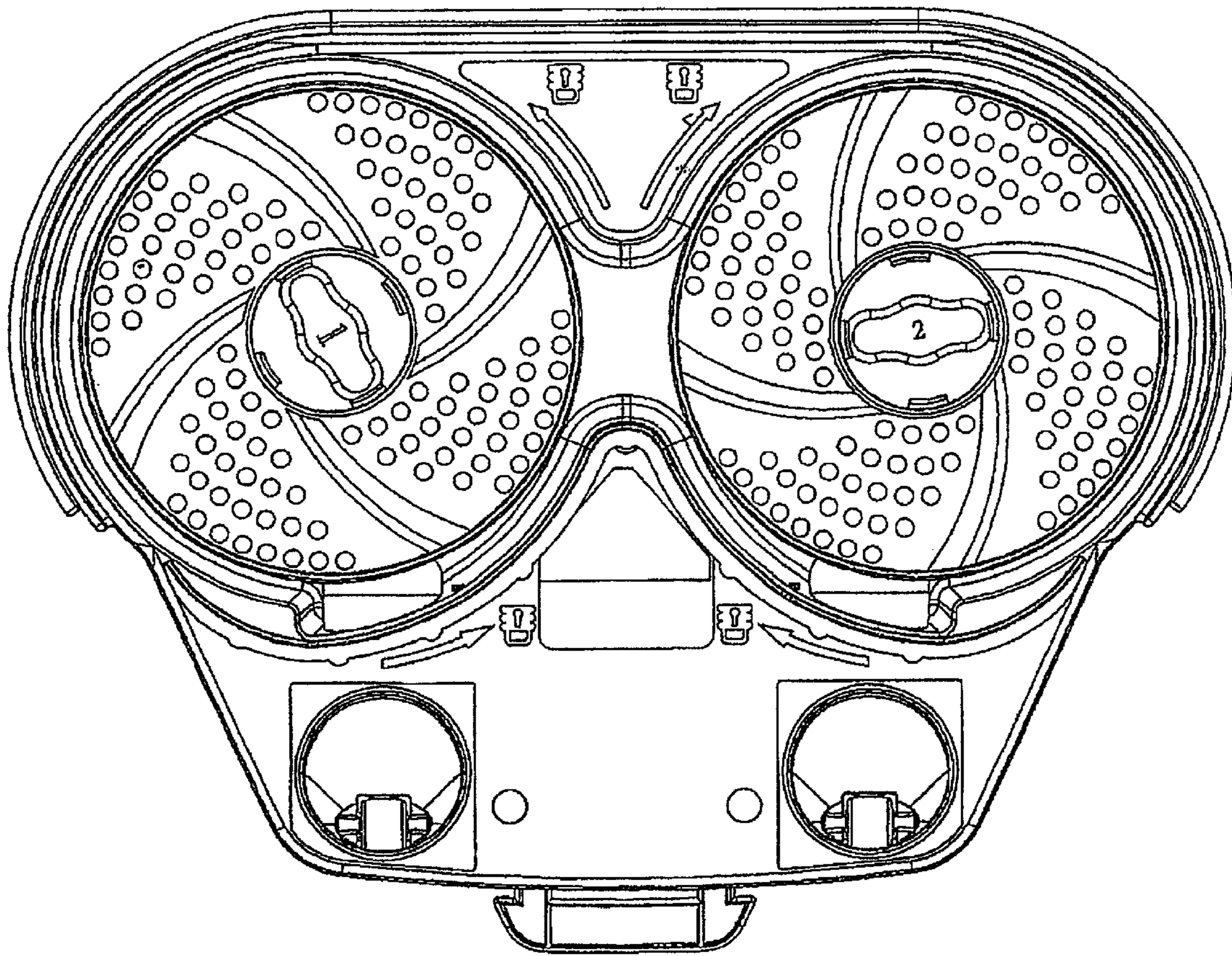


FIG. 6