



US00D537992S

(12) **United States Design Patent**  
**Hoshino**

(10) **Patent No.:** **US D537,992 S**

(45) **Date of Patent:** **\*\* Mar. 6, 2007**

(54) **COMBINATION WET AND DRY VACUUM APPLIANCE**

(75) Inventor: **Kiyoshi Hoshino**, Chesterfield, MO (US)

(73) Assignee: **Emerson Electric Co.**, St. Louis, MO (US)

(\*\*) Term: **14 Years**

(21) Appl. No.: **29/226,770**

(22) Filed: **Mar. 31, 2005**

(51) **LOC (8) Cl.** ..... **15-05**

(52) **U.S. Cl.** ..... **D32/24**

(58) **Field of Classification Search** ..... D32/1, D32/15-16, 21, 23-24, 31; 15/319, 320-321, 15/323, 327.1, 327.2, 327.3, 327.4, 327.6, 15/327.7, 329, 340.1, 340.2, 347, 353, 383, 15/405, 412; 901/1; 700/245; 318/568.12; 417/236; 55/DIG. 3

See application file for complete search history.

(56) **References Cited**

**U.S. PATENT DOCUMENTS**

D386,842 S \* 11/1997 Hoshino et al. .... D32/21

D418,643 S \* 1/2000 Hoshino ..... D32/21  
D443,119 S \* 5/2001 Sung ..... D32/21  
D467,693 S \* 12/2002 Kitts ..... D32/21  
D477,443 S \* 7/2003 Kondo et al. .... D32/21  
D496,764 S \* 9/2004 Lopano ..... D32/21  
D506,042 S \* 6/2005 Griffin et al. .... D32/21

\* cited by examiner

*Primary Examiner*—Ruth McInroy

(74) *Attorney, Agent, or Firm*—Locke Liddell & Sapp LLP

(57) **CLAIM**

The ornamental design for a combination wet and dry vacuum appliance, as shown and described.

**DESCRIPTION**

FIG. 1 is a perspective view of the combination wet and dry vacuum appliance, showing our new design.

FIG. 2 is a front view.

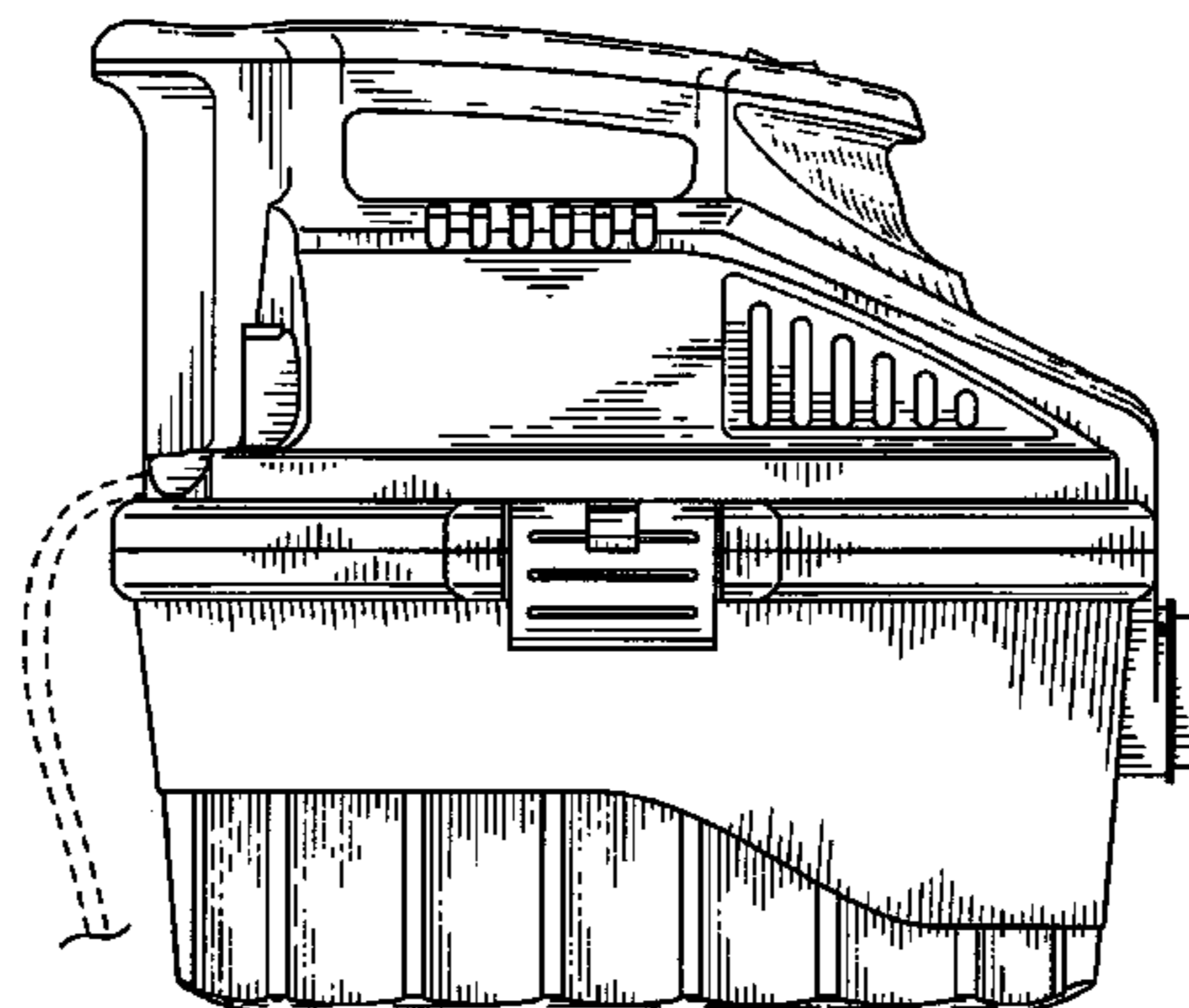
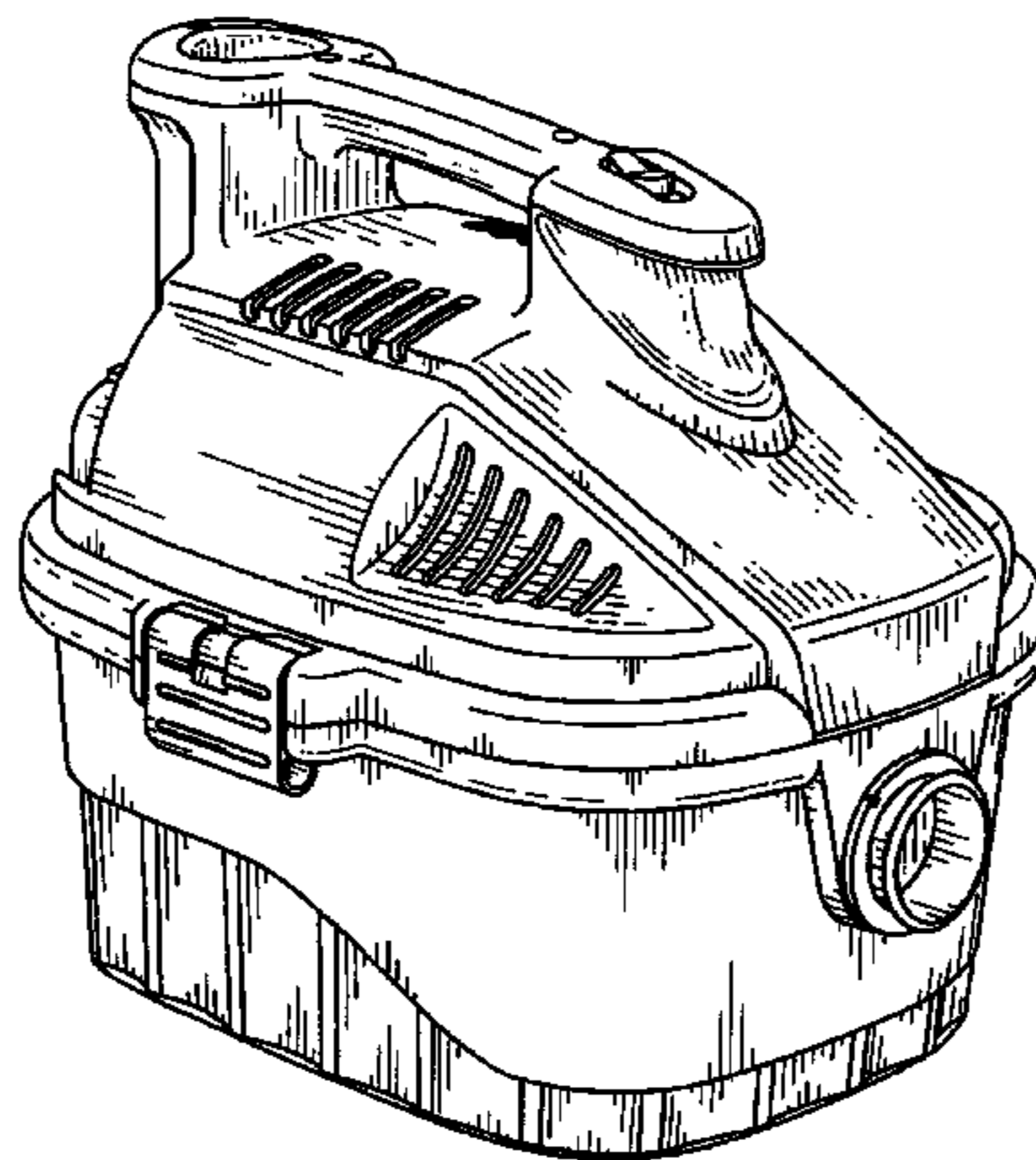
FIG. 3 is a side view.

FIG. 4 a back view.

FIG. 5 is a side view showing the side opposite that shown in FIG. 3; and,

FIG. 6 is a top view.

**1 Claim, 3 Drawing Sheets**



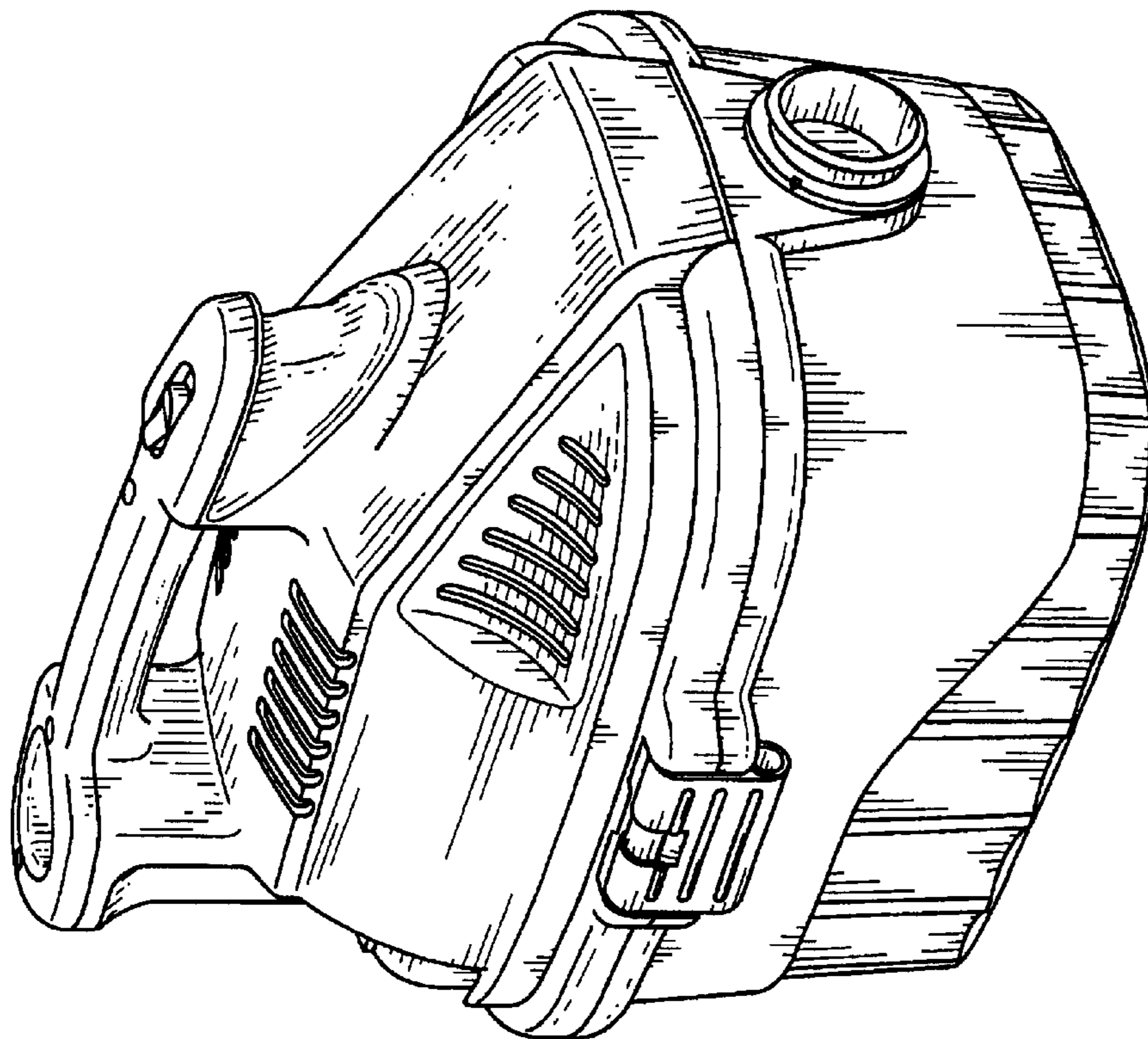


FIG. 1

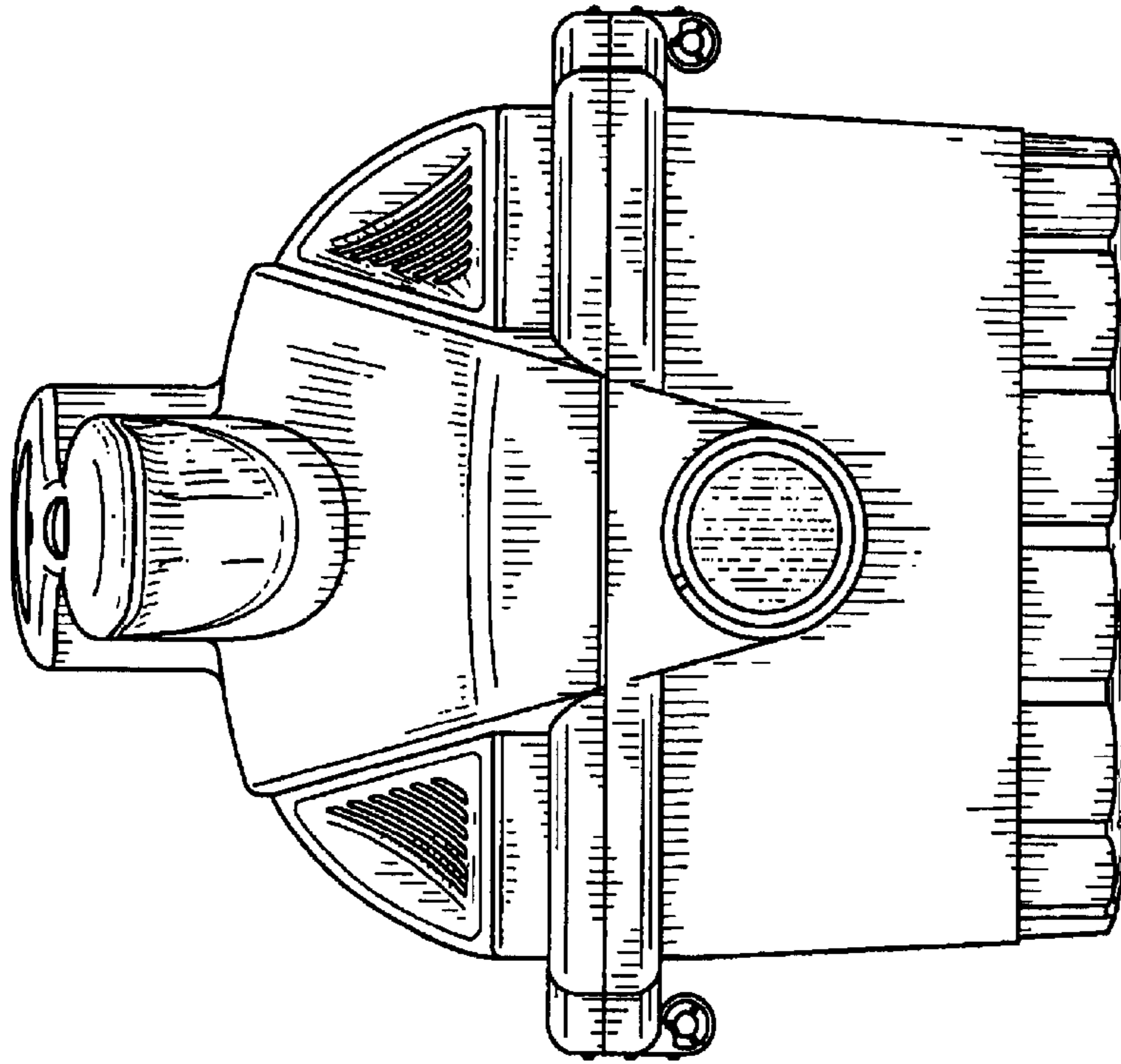


FIG. 2

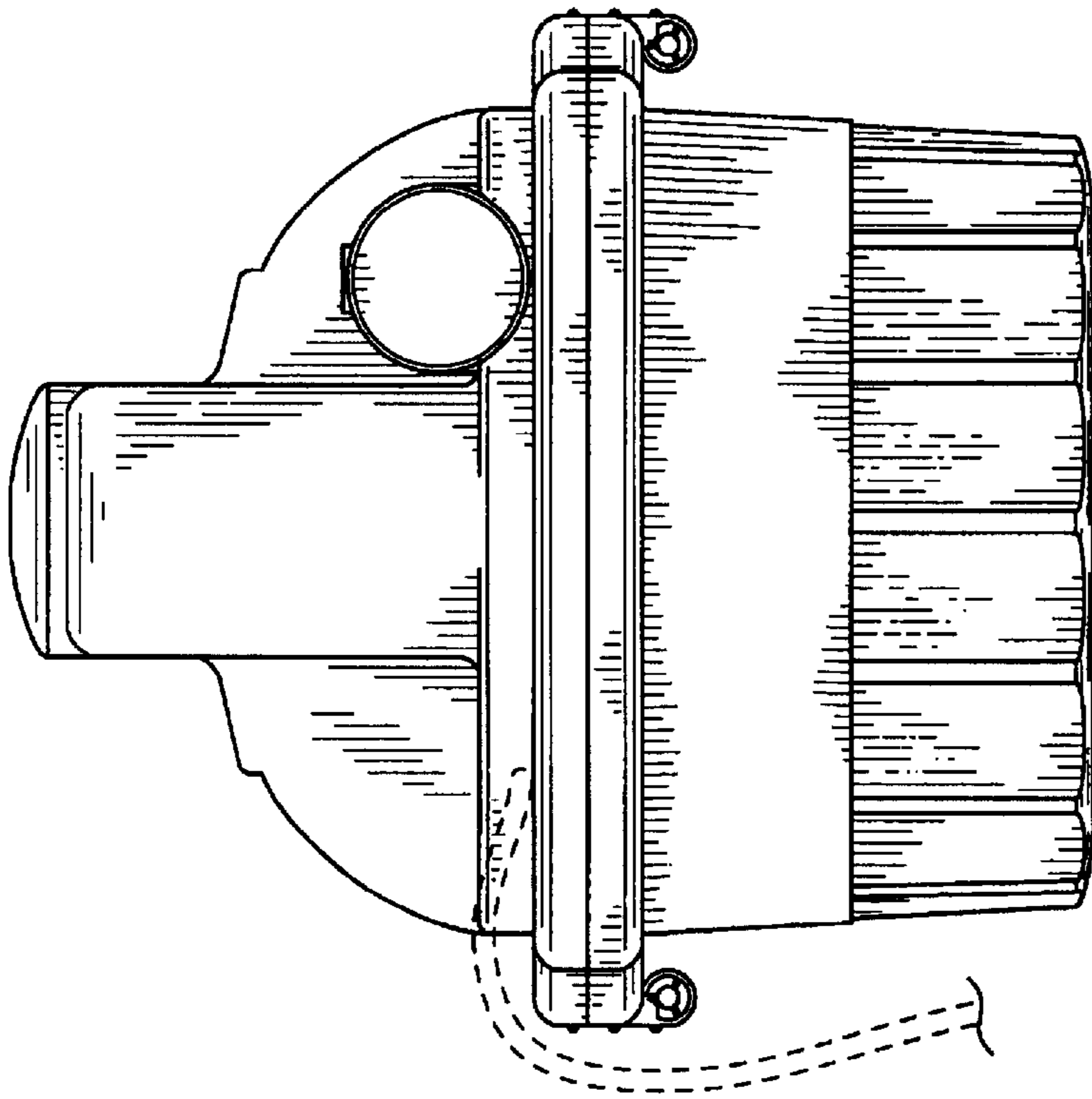


FIG. 4

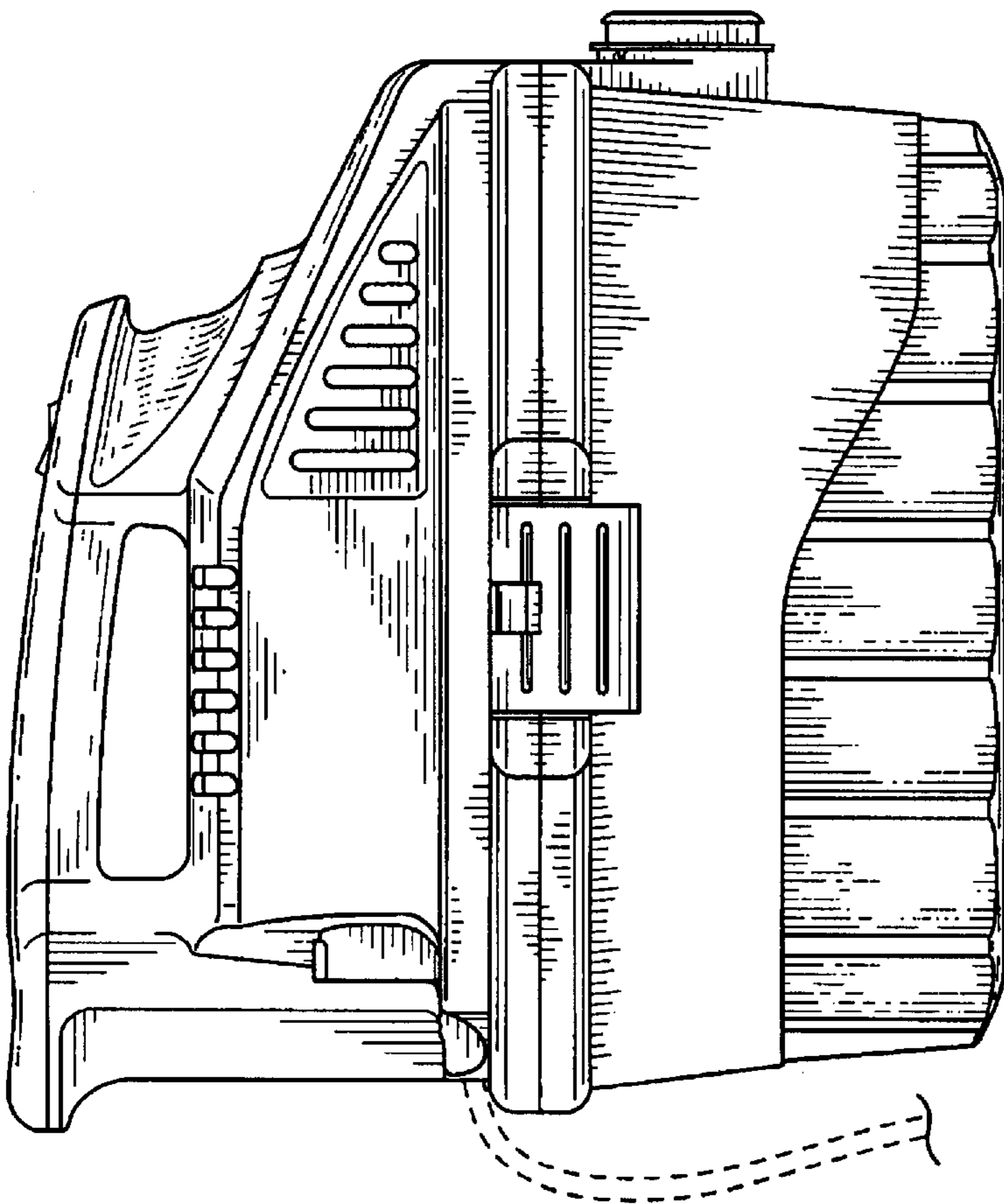


FIG. 3

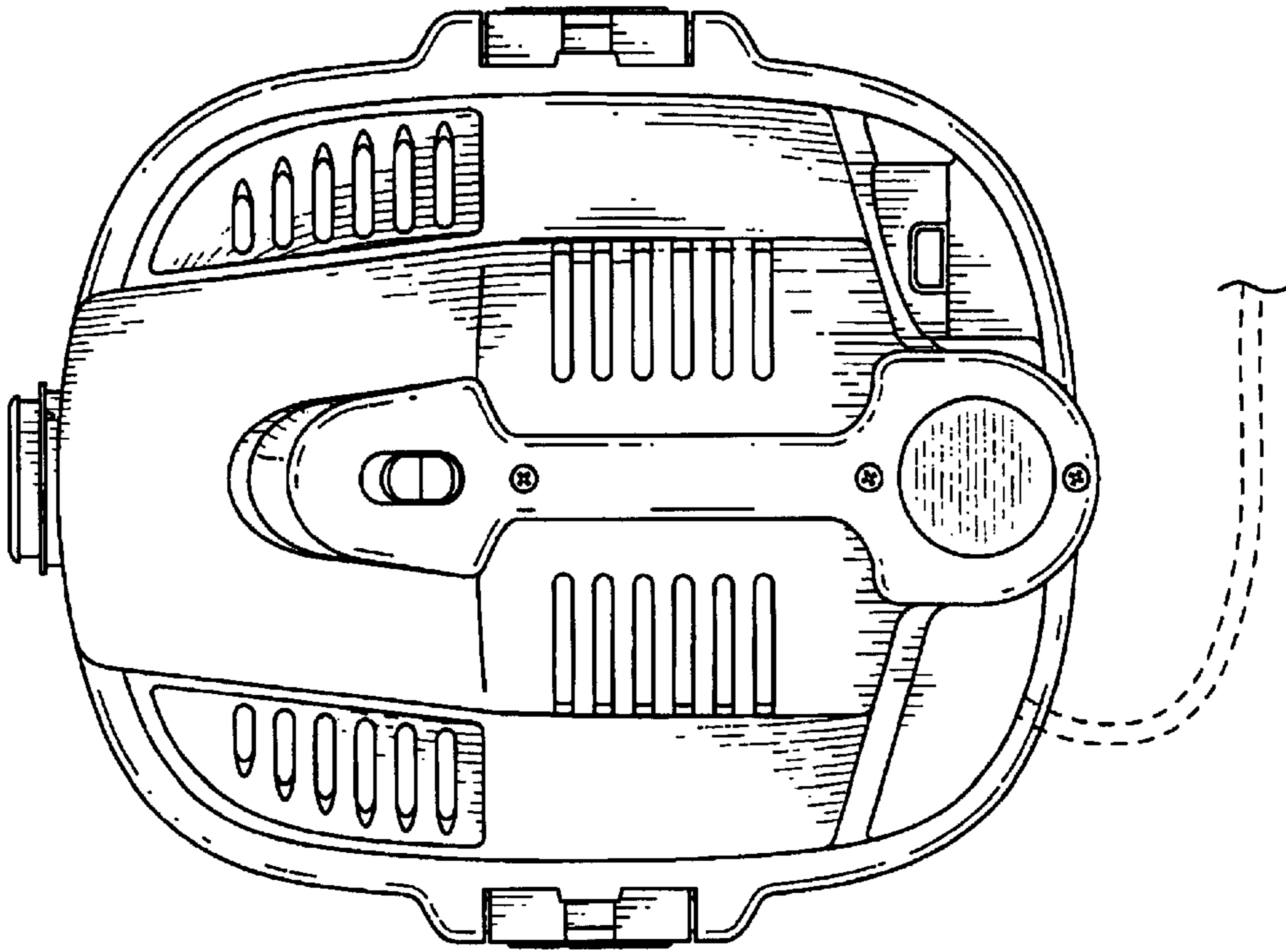


FIG. 6

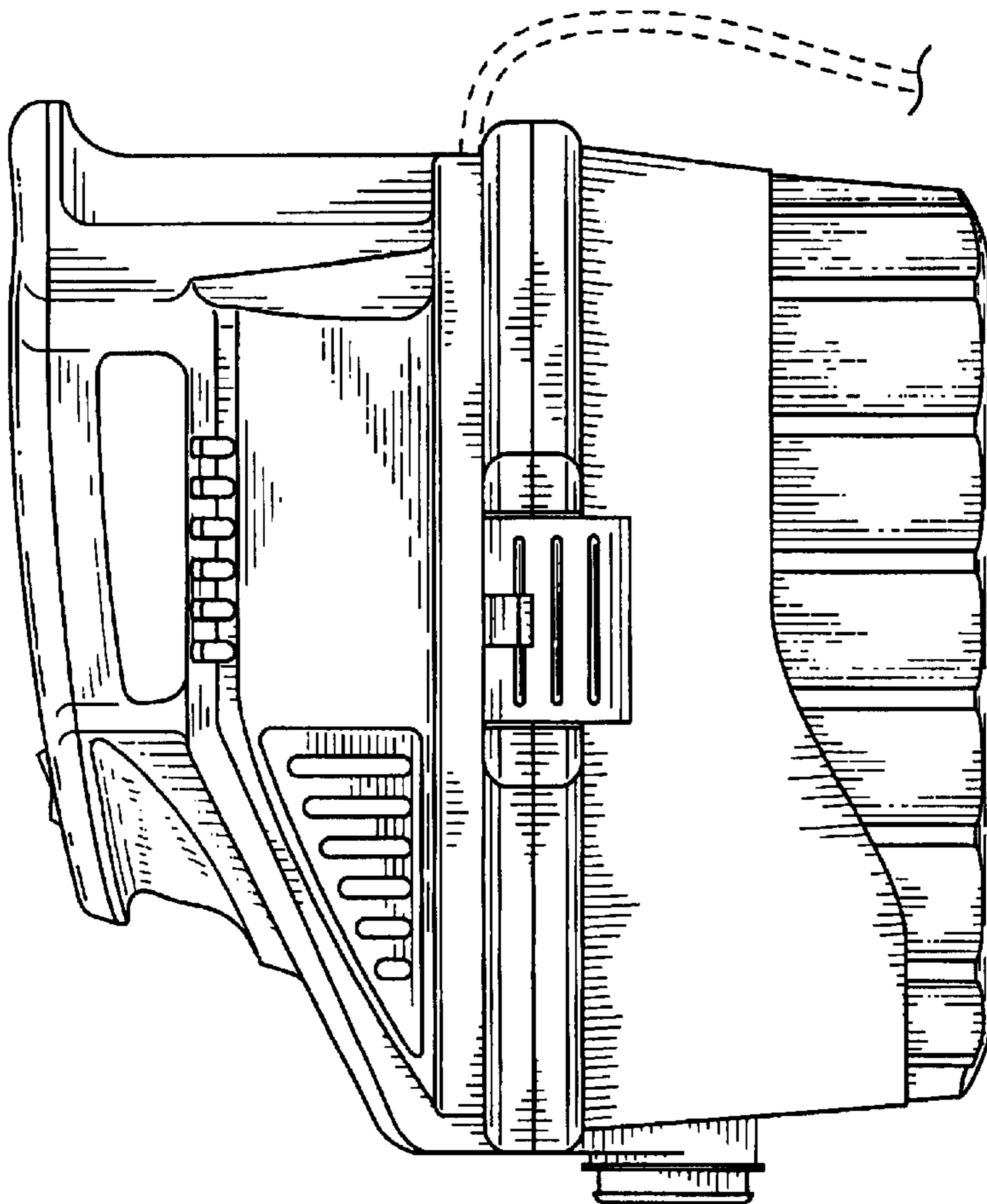


FIG. 5