

US00D537989S

(12) **United States Design Patent** (10) **Patent No.:** **US D537,989 S**
Reynolds (45) **Date of Patent:** **** Mar. 6, 2007**

(54) **BIRDHOUSE ENTRANCE**

(76) Inventor: **Patricia E. Reynolds**, 260 E. Chestnut St., Suite 2105, Chicago, IL (US) 60611

(**) Term: **14 Years**

(21) Appl. No.: **29/211,369**

(22) Filed: **Aug. 13, 2004**

(51) **LOC (8) Cl.** **30-02**

(52) **U.S. Cl.** **D30/119**

(58) **Field of Classification Search** D30/108-119,
D30/125; 119/452, 453, 459, 464, 475, 537;
D11/151, 157

See application file for complete search history.

(56) **References Cited**

U.S. PATENT DOCUMENTS

D124,202	S	*	12/1940	Prouty	D11/151
2,992,503	A	*	7/1961	Webb	D30/112
D194,750	S	*	3/1963	Dahmus	D30/110
4,846,110	A	*	7/1989	Reynolds	119/428
D335,369	S	*	5/1993	Gravelle	D30/111
D365,711	S	*	1/1996	Ramirez	D11/157
D366,736	S	*	1/1996	Northrop et al.	D30/112
D368,989	S	*	4/1996	Prehart	D30/111
D423,148	S	*	4/2000	Prekup	D30/110

* cited by examiner

Primary Examiner—Louis S. Zarfas

Assistant Examiner—Anhdao Doan

(74) *Attorney, Agent, or Firm*—Wood, Phillips, Katz, Clark & Mortimer

(57) **CLAIM**

The ornamental design of a birdhouse entrance, as shown and described.

DESCRIPTION

FIG. 1 is a perspective view of the birdhouse entrance of the present invention with a bark and leaf appearance, illustrated with a bird-house shown in phantom, where the birdhouse forms no part of the Design;

FIG. 2 is a right side view of the Design shown in FIG. 1;

FIG. 3 is a left side view of the Design shown in FIG. 1;

FIG. 4 is a front view of the Design shown in FIG. 1;

FIG. 5 is a rear view of the Design shown in FIG. 1;

FIG. 6 is a top view of the Design shown in FIG. 1;

FIG. 7 is a bottom view of the Design shown in FIG. 1;

FIG. 8 is a perspective view of the birdhouse entrance of the present invention with a leaf appearance, illustrated with a birdhouse shown in phantom, where the birdhouse forms no part of the Design;

FIG. 9 is a right side view of the Design shown in FIG. 8;

FIG. 10 is a left side view of the Design shown in FIG. 8;

FIG. 11 is a front view of the Design shown in FIG. 8;

FIG. 12 is a rear view of the Design shown in FIG. 8;

FIG. 13 is a top view of the Design shown in FIG. 8; and,

FIG. 14 is a bottom view of the Design shown in FIG. 8.

The birdhouses shown in phantom in FIGS. 1 and 8 form no part of the claimed design, nor does the rear view form a part of the claimed design.

1 Claim, 8 Drawing Sheets

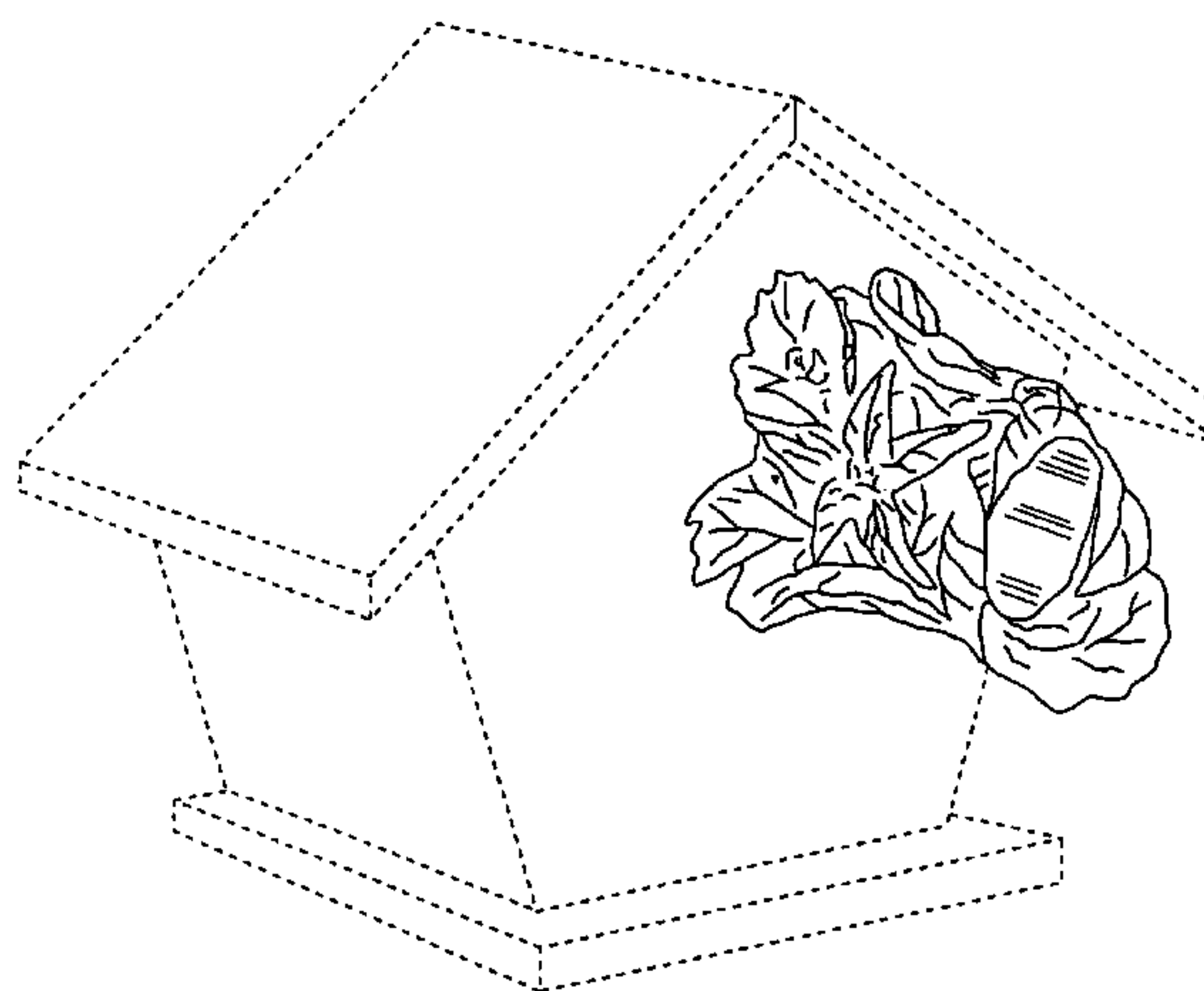
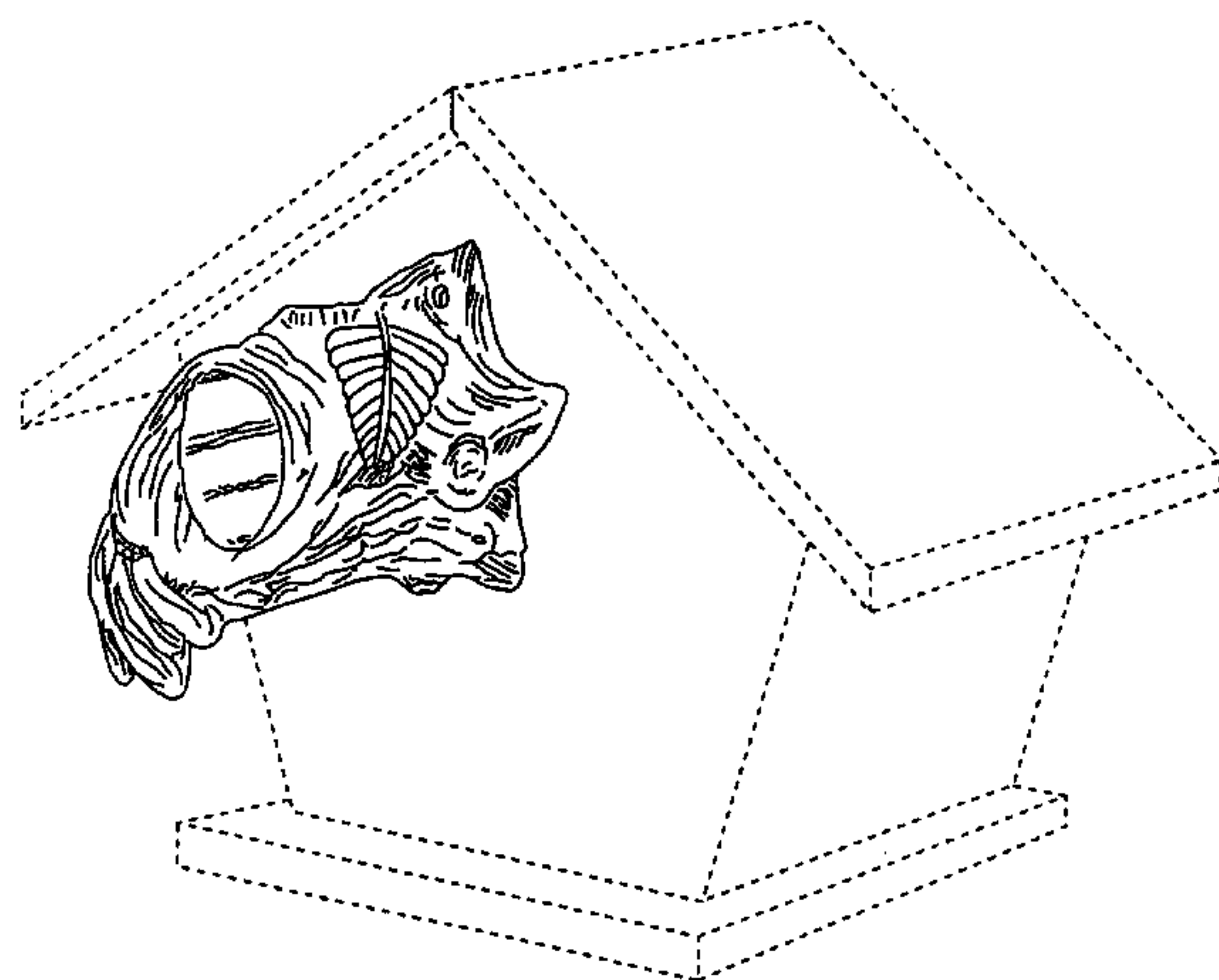


Fig. 1

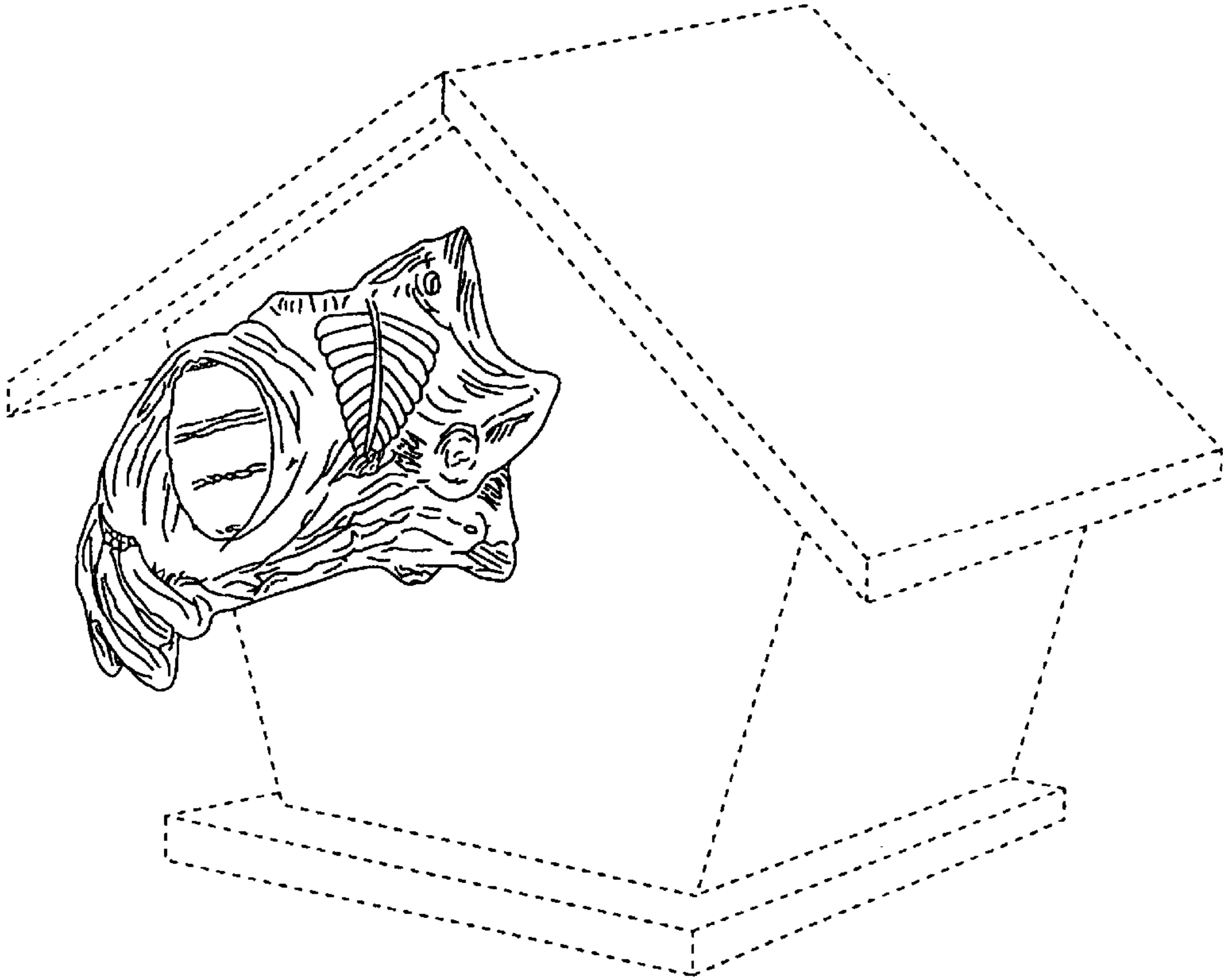


Fig. 2

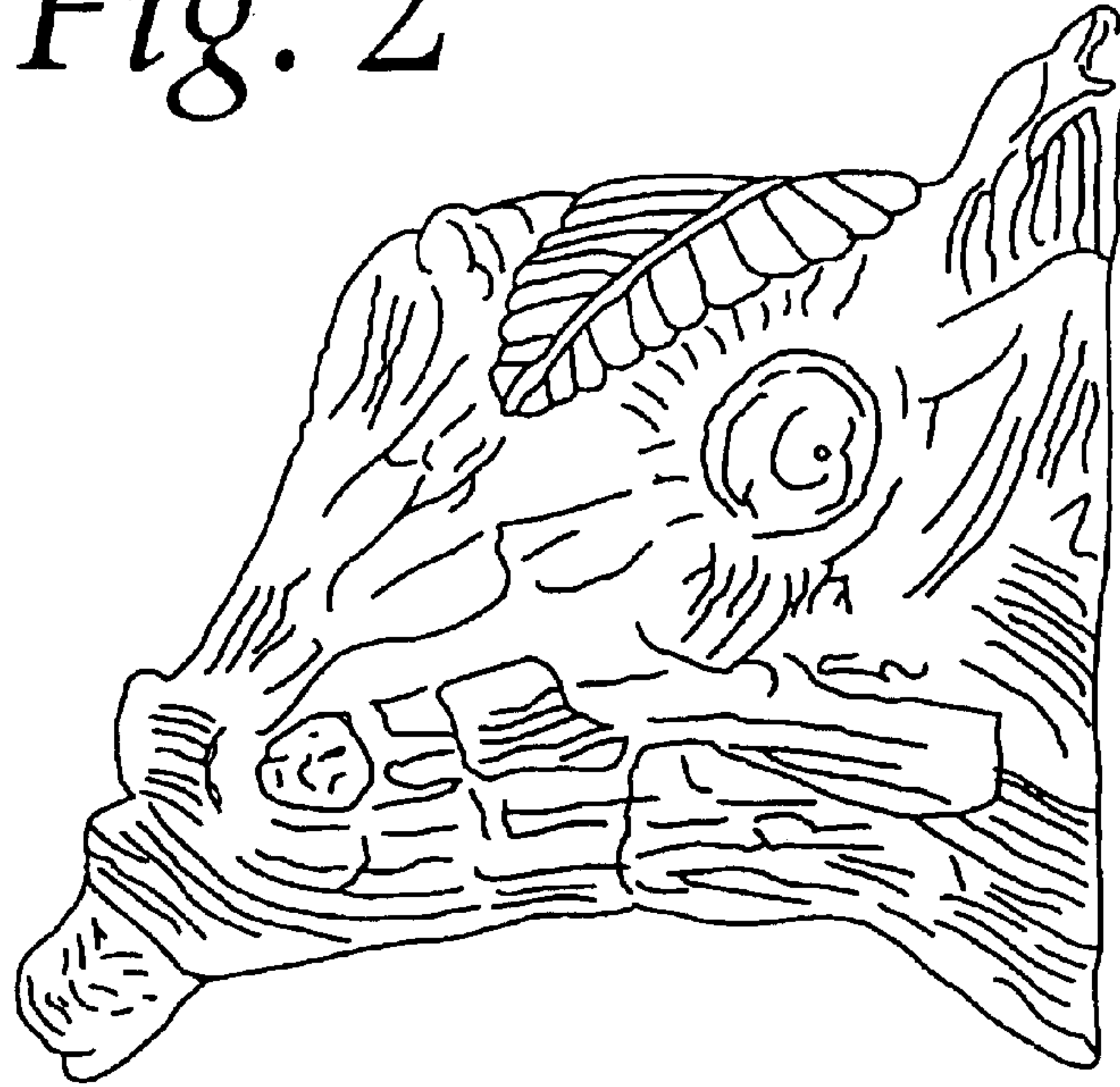


Fig. 3

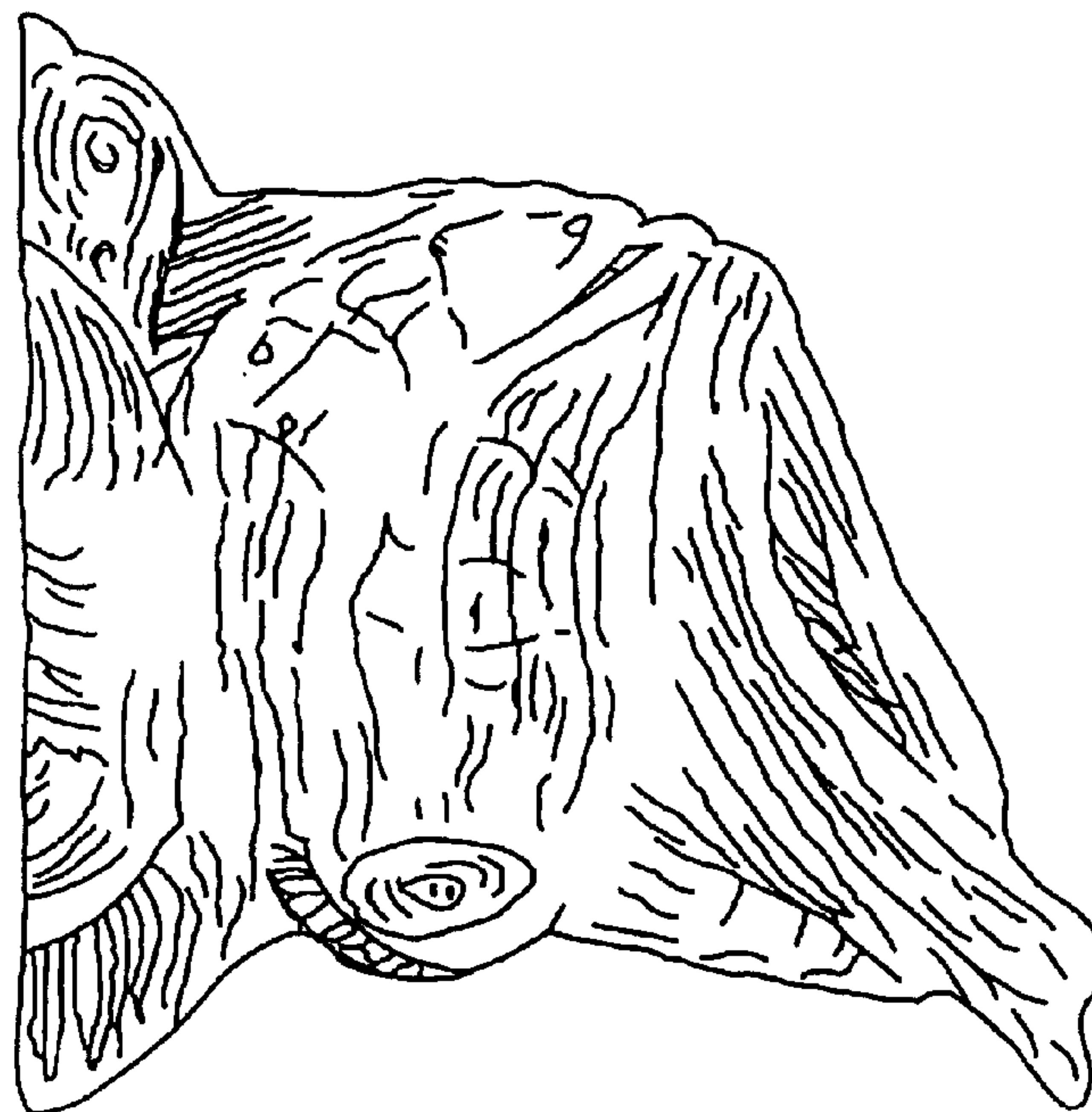


Fig. 4

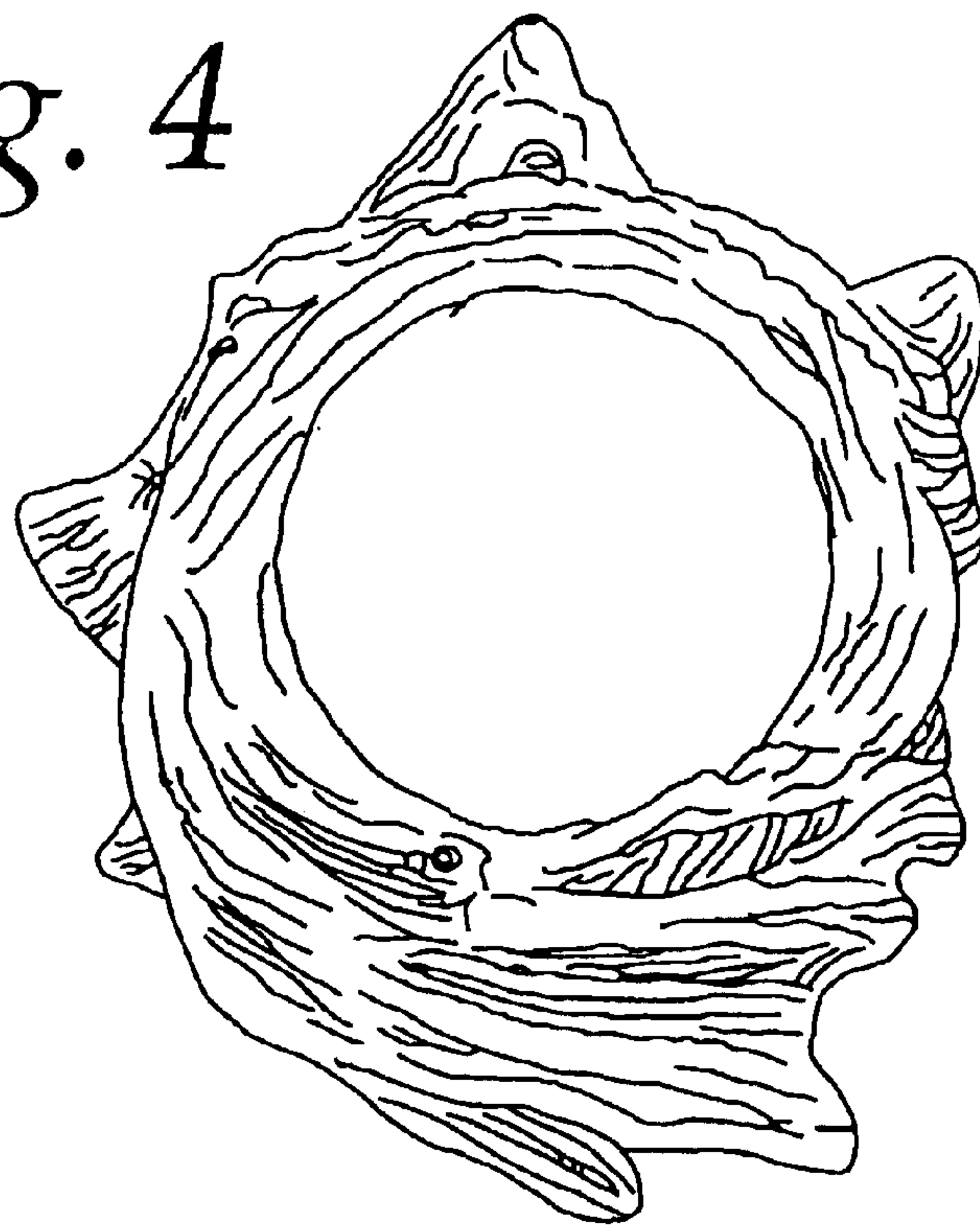


Fig. 5

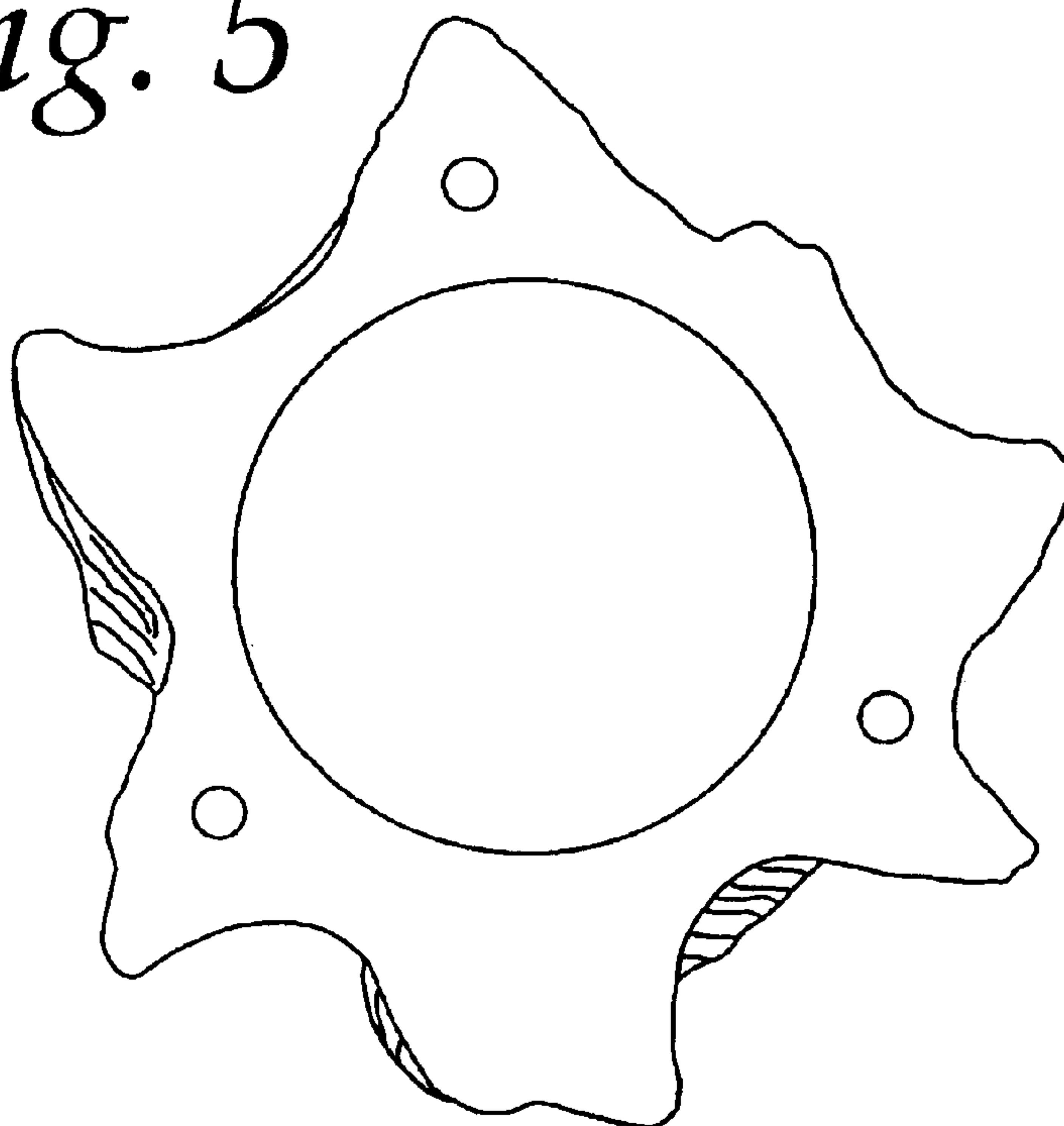


Fig. 6

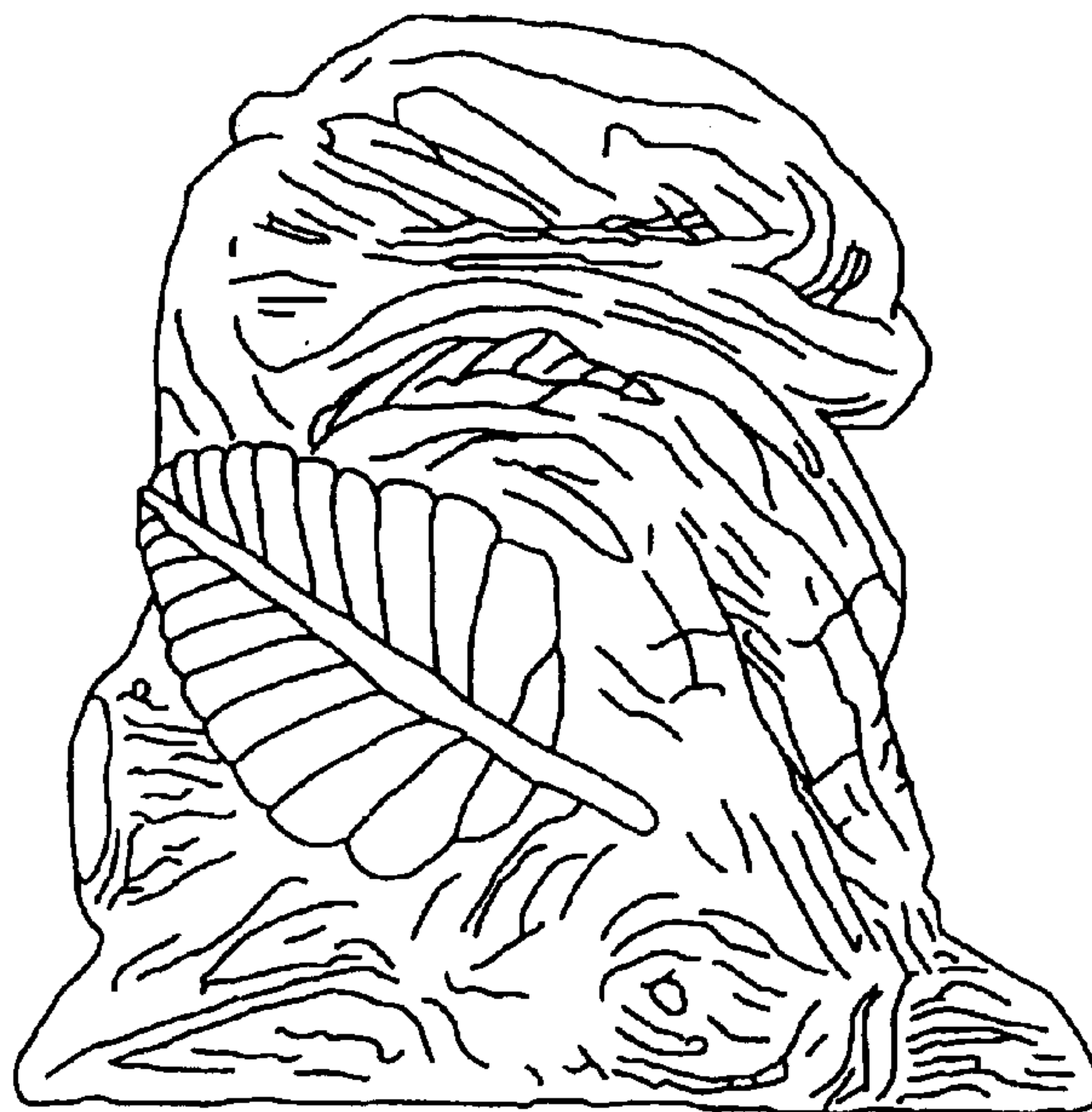


Fig. 7

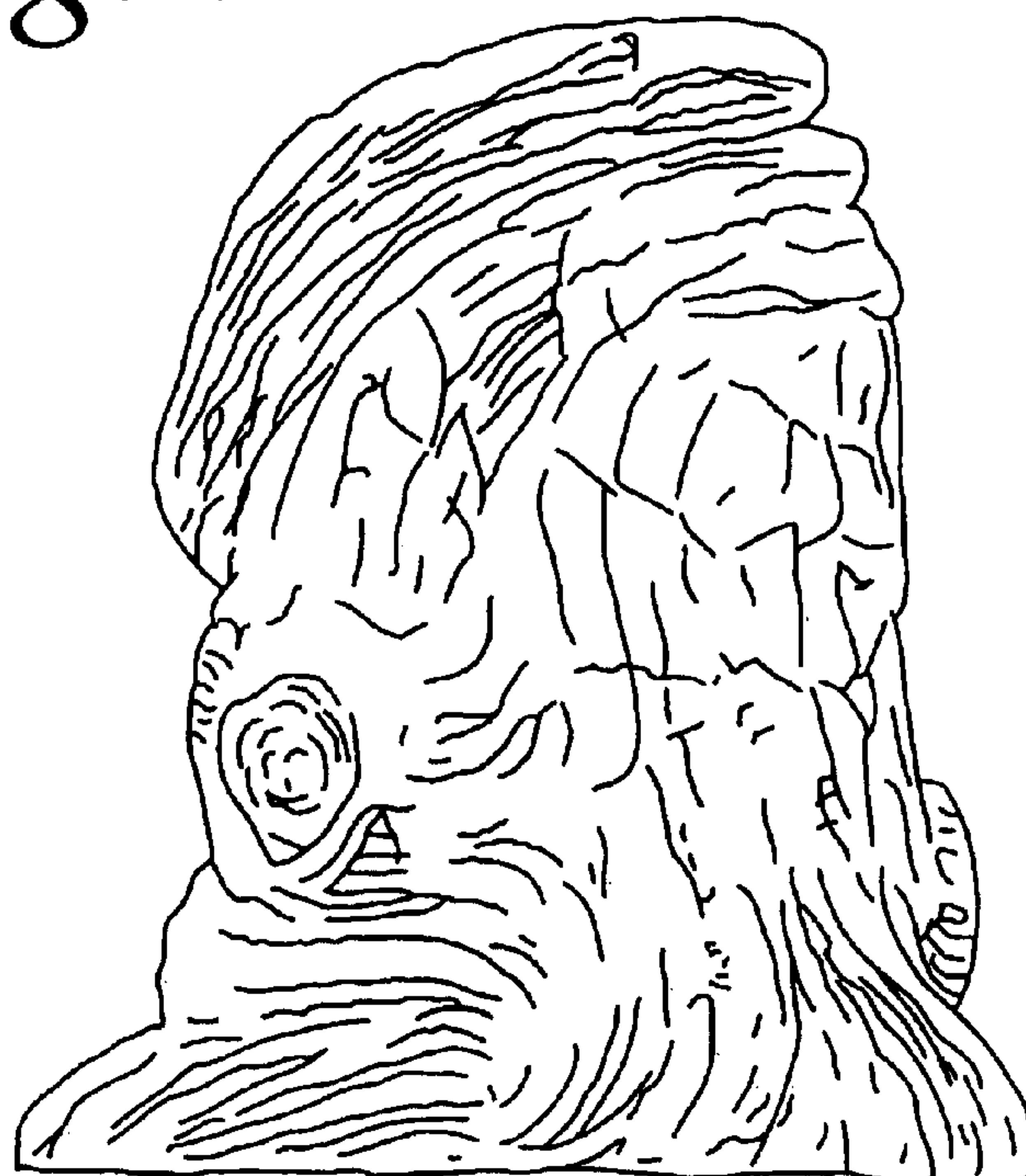


Fig. 8

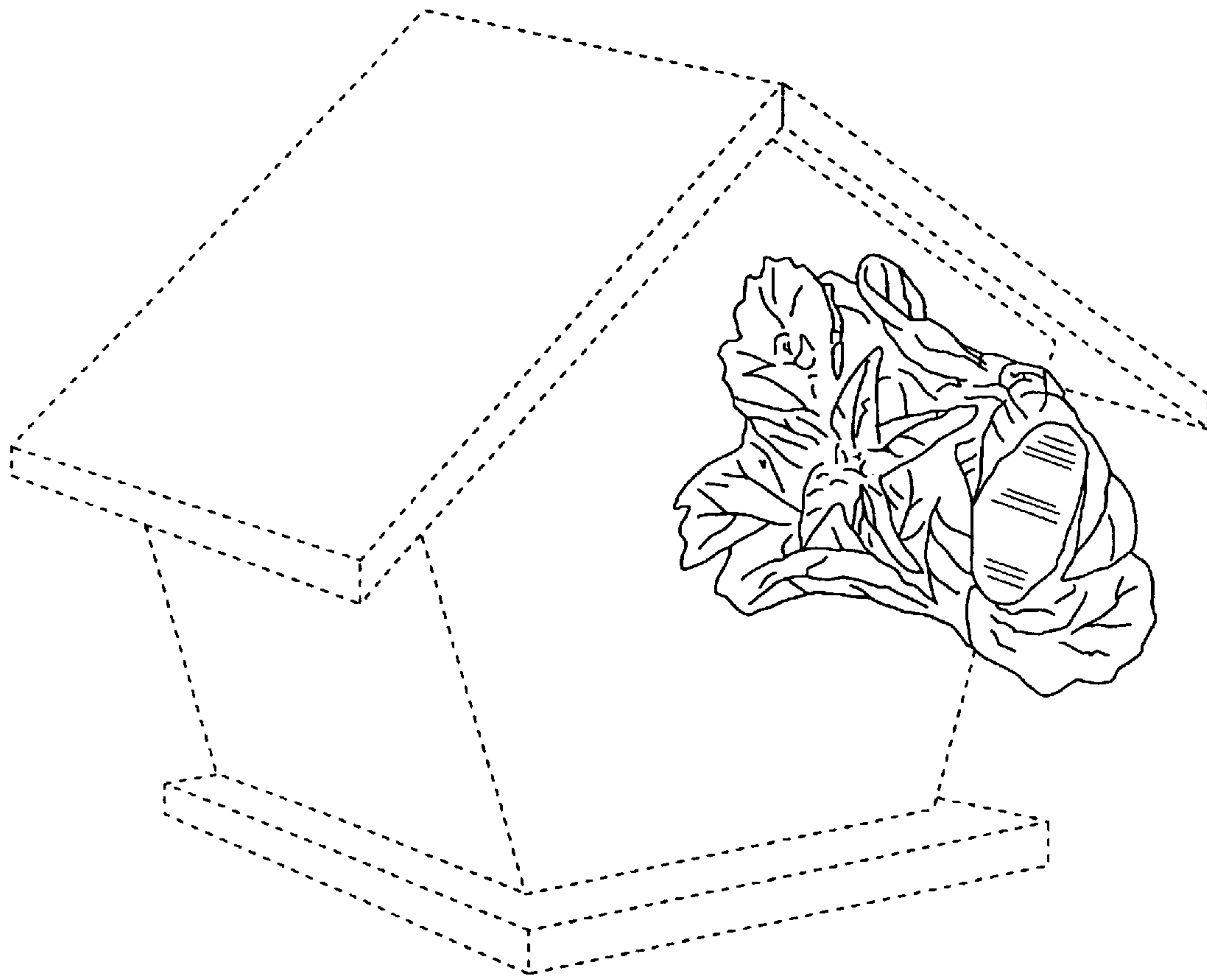


Fig. 9



Fig. 10

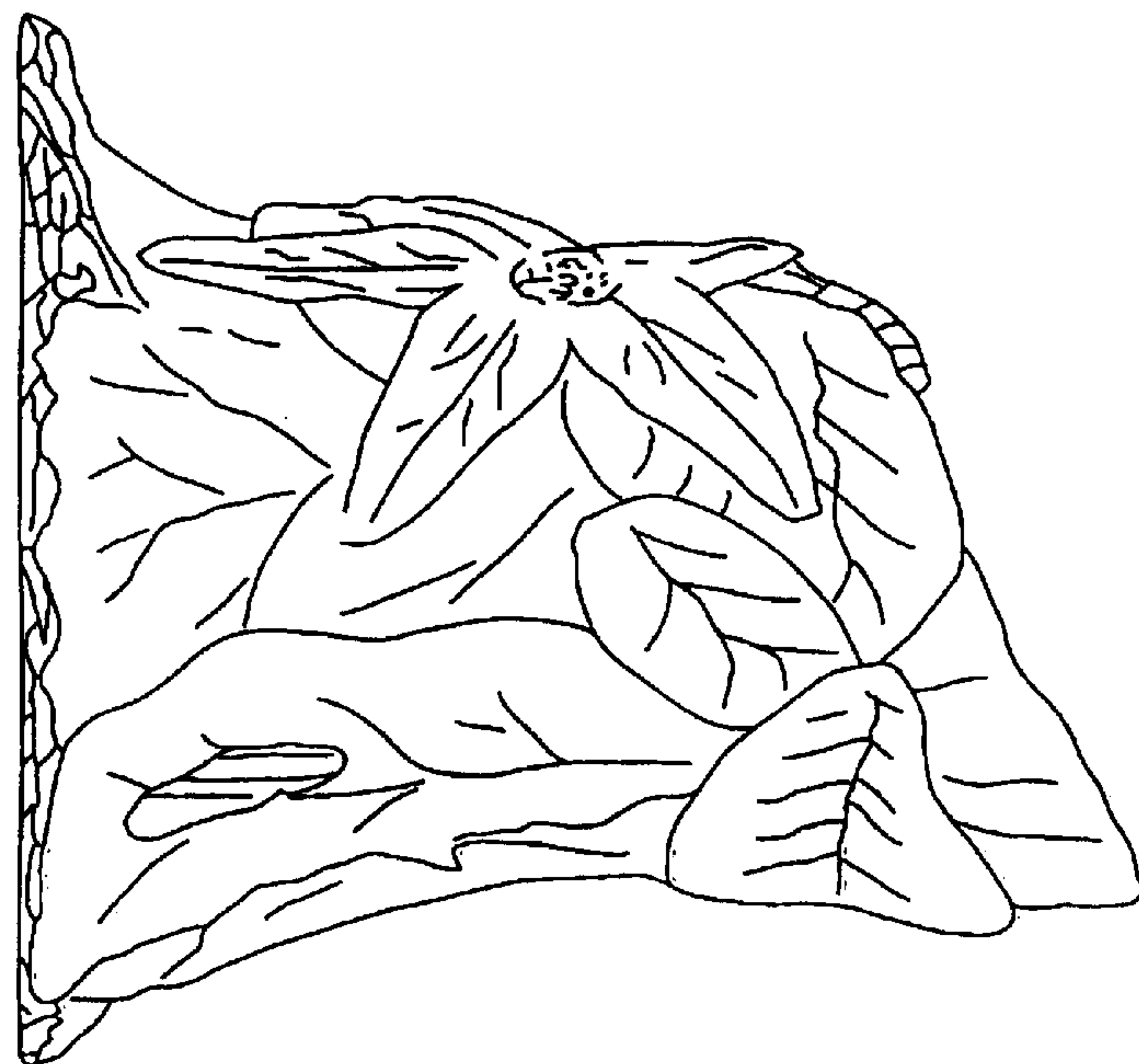


Fig. 11

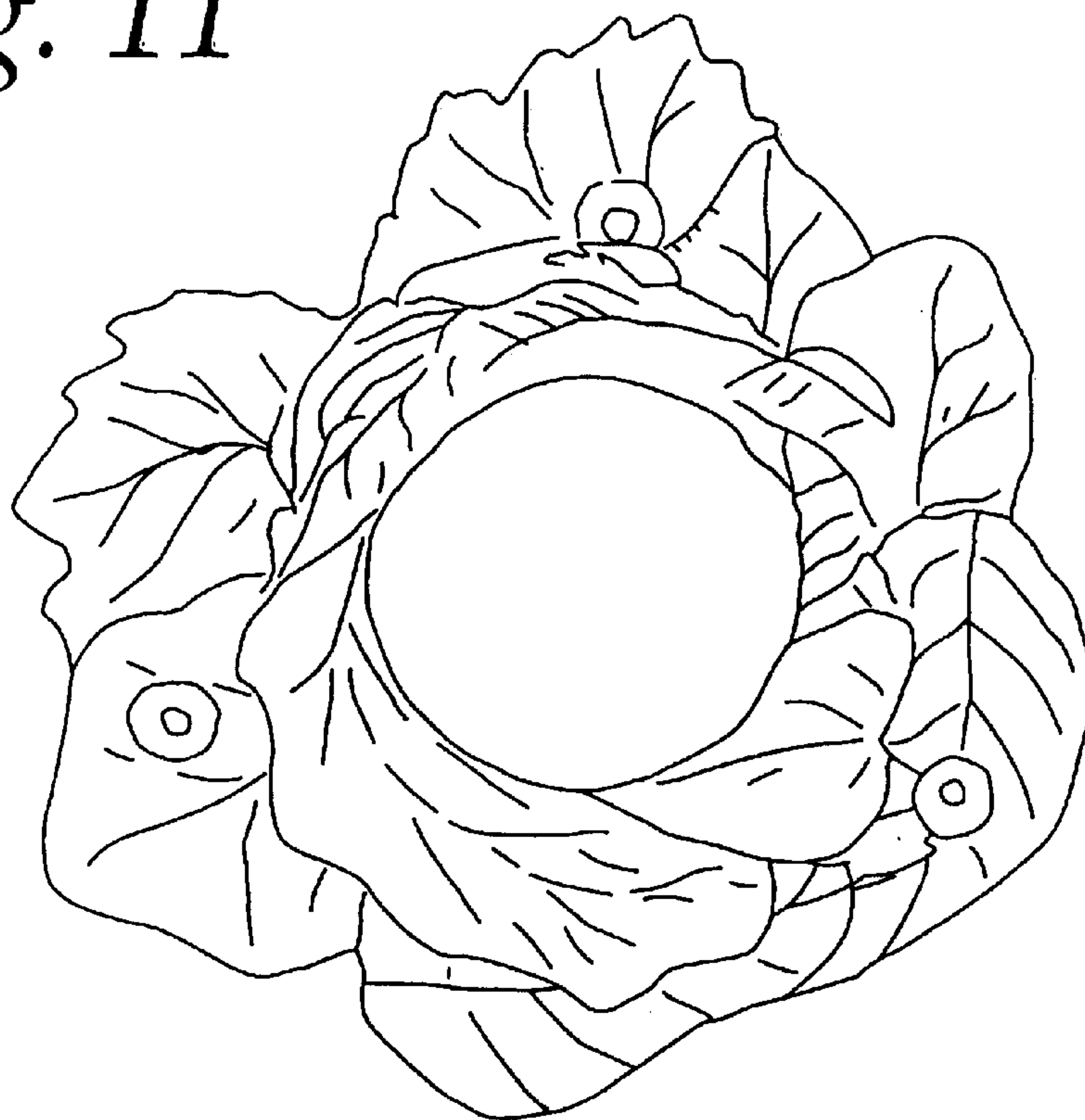


Fig. 12

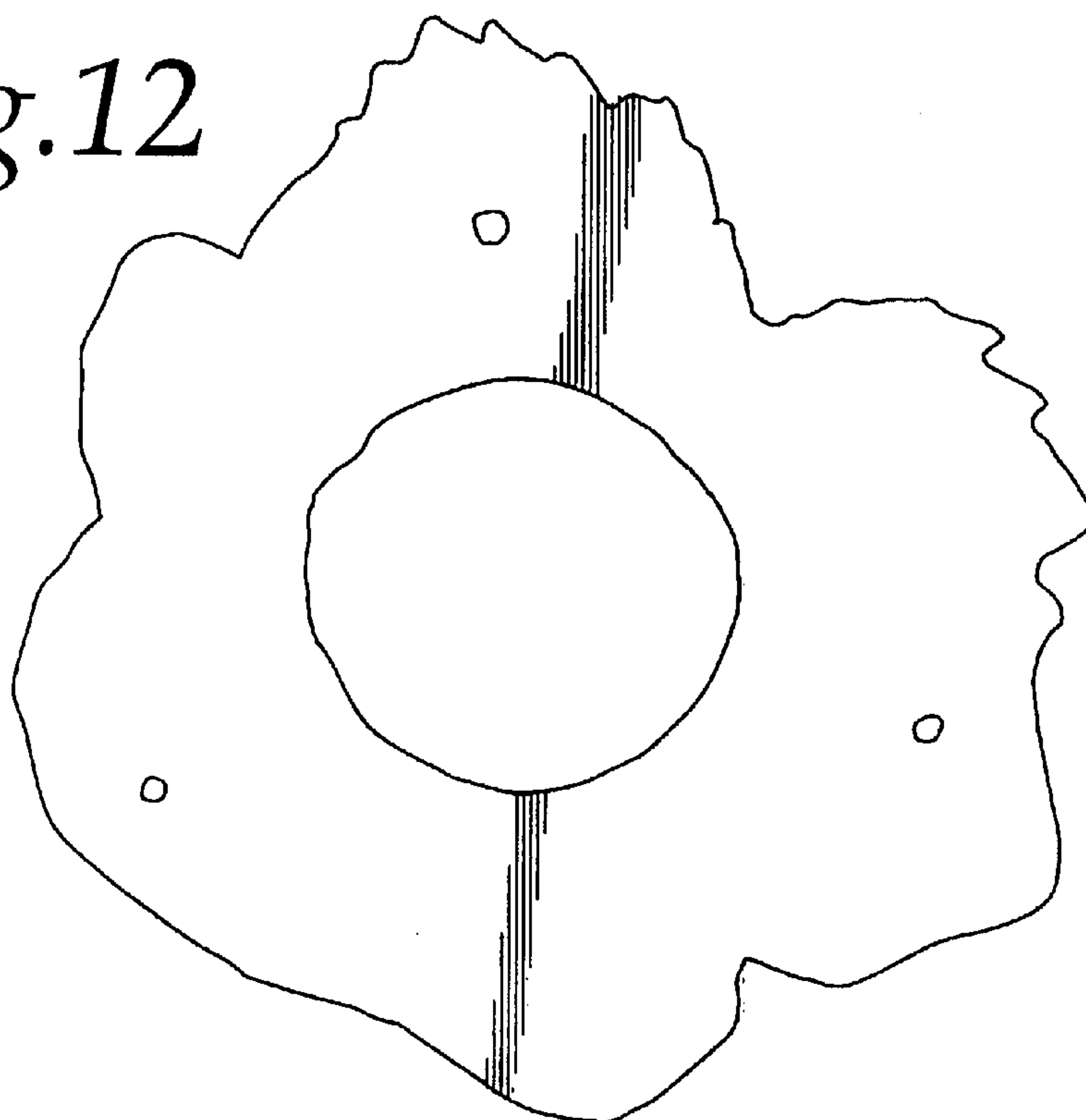


Fig. 13

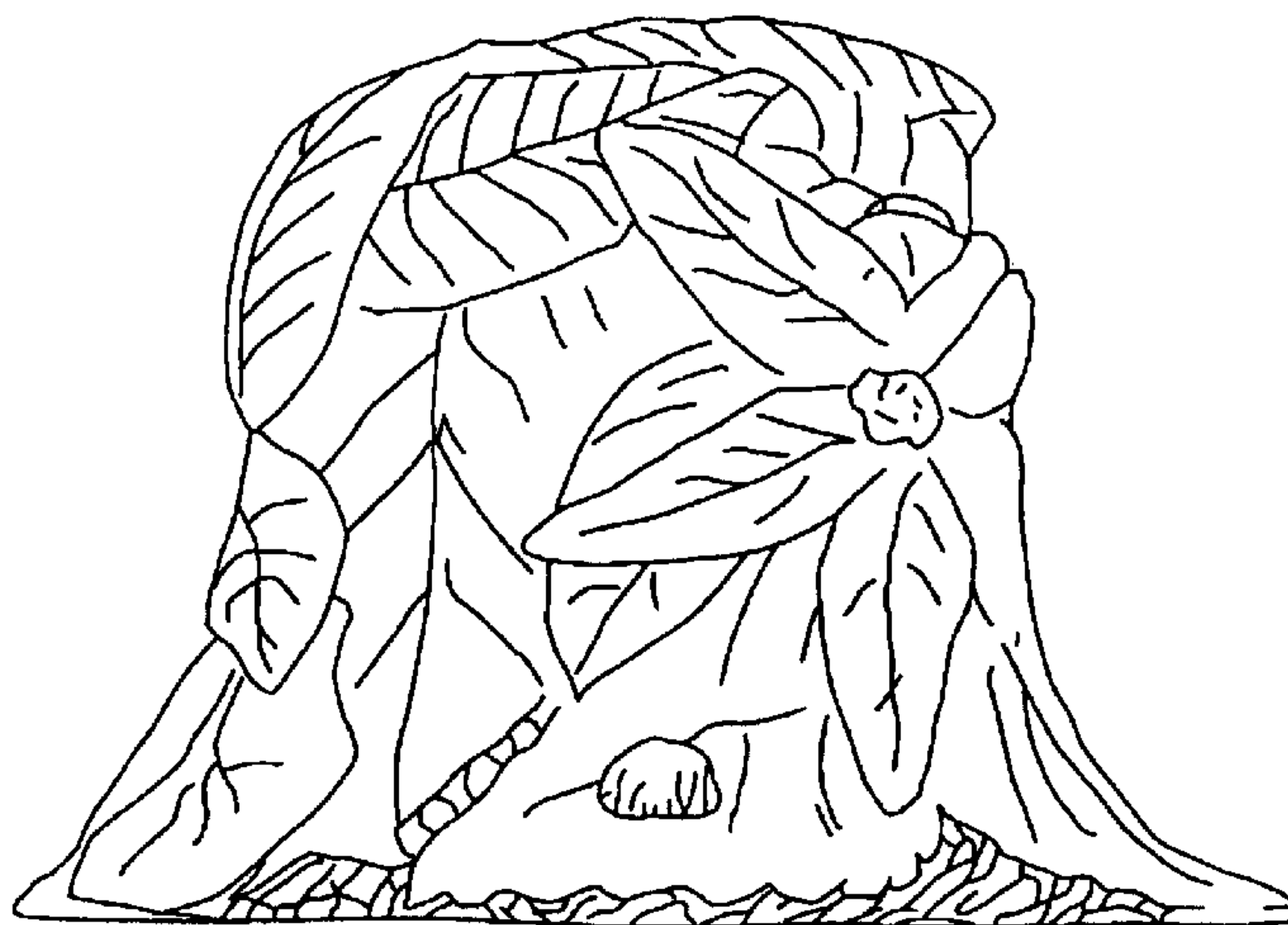


Fig. 14

