



US00D537986S

(12) **United States Design Patent**  
**Manzo et al.**

(10) **Patent No.:** **US D537,986 S**

(45) **Date of Patent:** **\*\* \*Mar. 6, 2007**

(54) **MOUTHGUARD**

(75) Inventors: **Joseph S. Manzo**, Lansdale, PA (US);  
**Edward M. Bachurski**, Radnor, PA  
(US)

(73) Assignee: **Brain-Pad, Inc.**, Conshohocken, PA  
(US)

(\*) Notice: This patent is subject to a terminal disclaimer.

(\*\*) Term: **14 Years**

(21) Appl. No.: **29/192,243**

(22) Filed: **Oct. 21, 2003**

**Related U.S. Application Data**

(63) Continuation-in-part of application No. 29/162,662, filed on Jun. 19, 2002, now Pat. No. Des. 493,578.

(51) **LOC (8) Cl.** ..... **29-02**

(52) **U.S. Cl.** ..... **D29/108**

(58) **Field of Classification Search** ..... D29/108,  
D29/122; D24/176, 180-181; 2/455, 9, 424;  
128/859, 848, 861-862; 602/902; 433/6  
See application file for complete search history.

(56) **References Cited**

**U.S. PATENT DOCUMENTS**

1,674,336 A	6/1928	King	
2,521,039 A	9/1950	Carpenter	
2,590,118 A	3/1952	Oddo, Jr.	
2,966,908 A	1/1961	Cathcart et al.	
3,247,844 A *	4/1966	Berghash	128/862
D215,685 S	10/1969	Helmer	
3,692,025 A *	9/1972	Greenberg	128/857
4,044,762 A *	8/1977	Jacobs	128/861
4,370,129 A *	1/1983	Huge	433/6
4,791,941 A	12/1988	Schaefer	
4,944,947 A	7/1990	Newman	
5,092,346 A	3/1992	Hays	
5,117,816 A	6/1992	Shapiro	
5,277,202 A	1/1994	Hays	

5,636,379 A	6/1997	Williams	
D382,965 S *	8/1997	Wagner	D24/181
D408,919 S *	4/1999	Cooley	D24/181
D434,501 S	11/2000	Redhage	
D452,011 S	12/2001	Redhage	
6,491,036 B2 *	12/2002	Cook	128/859
6,494,210 B1 *	12/2002	Mams	128/859
D473,976 S *	4/2003	Wilkens	D29/108
6,584,978 B1 *	7/2003	Brett et al.	128/859

\* cited by examiner

*Primary Examiner*—Ruth McInroy

(74) *Attorney, Agent, or Firm*—John F. Letchford; Archer & Greiner, P.C.

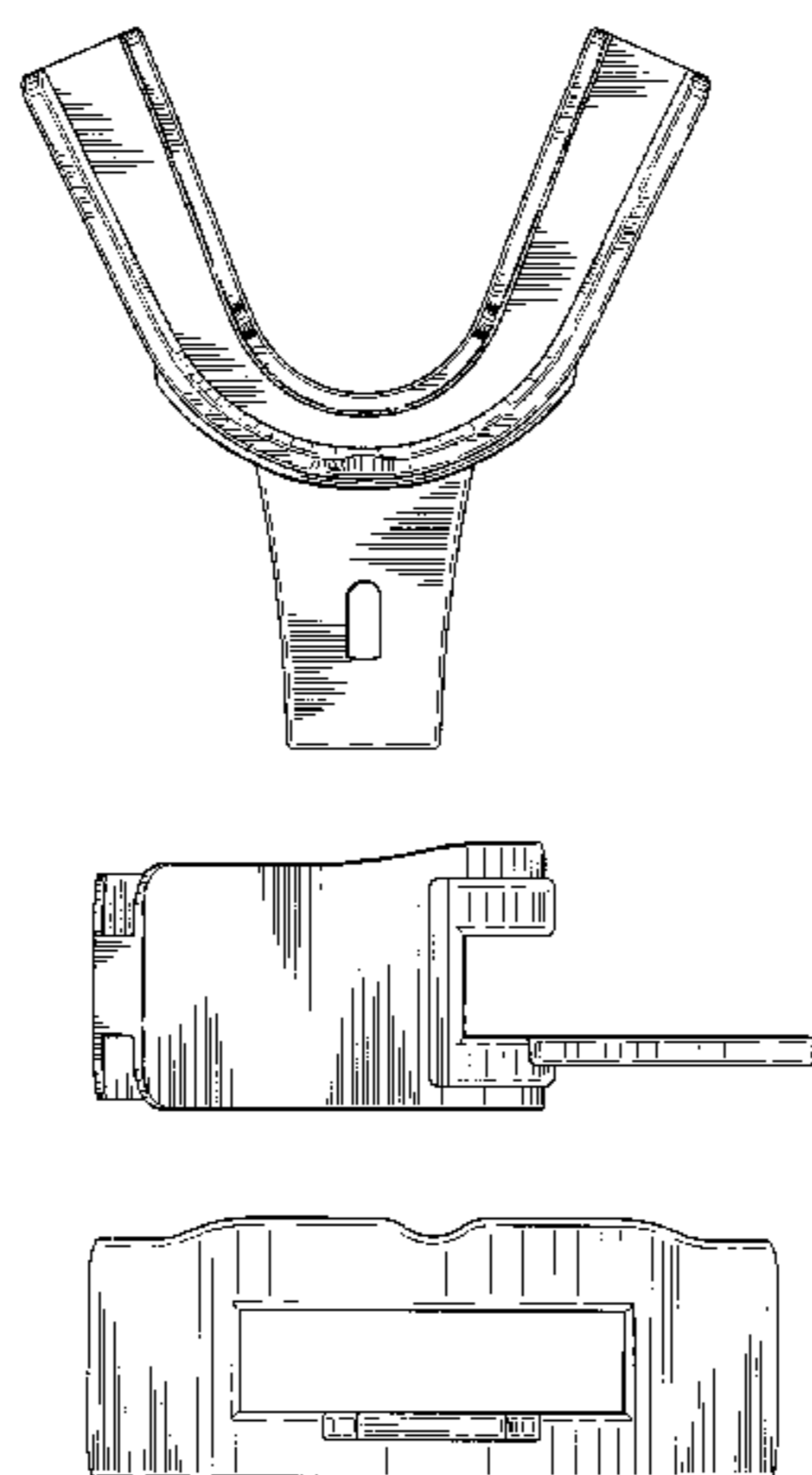
(57) **CLAIM**

The ornamental design for a mouthguard, as shown and described.

**DESCRIPTION**

FIG. 1 is top plan view of a first embodiment of a mouthguard showing our new design;  
 FIG. 2 is bottom plan view of a first embodiment of a mouthguard showing our new design;  
 FIG. 3 is front elevational view of a first embodiment of a mouthguard showing our new design;  
 FIG. 4 is rear elevational view of a first embodiment of a mouthguard showing our new design;  
 FIG. 5 is left side elevational view of a first embodiment of a mouthguard showing our new design, the right side being a mirror image.  
 FIG. 6 is top plan view of a second embodiment of a mouthguard showing our new design;  
 FIG. 7 is bottom plan view of a second embodiment of a mouthguard showing our new design;  
 FIG. 8 is front elevational view of a second embodiment of a mouthguard showing our new design;  
 FIG. 9 is rear elevational view of a second embodiment of a mouthguard showing our new design; and,  
 FIG. 10 is left side elevational view of a second embodiment of a mouthguard showing our new design, the right side being a mirror image.

**1 Claim, 6 Drawing Sheets**



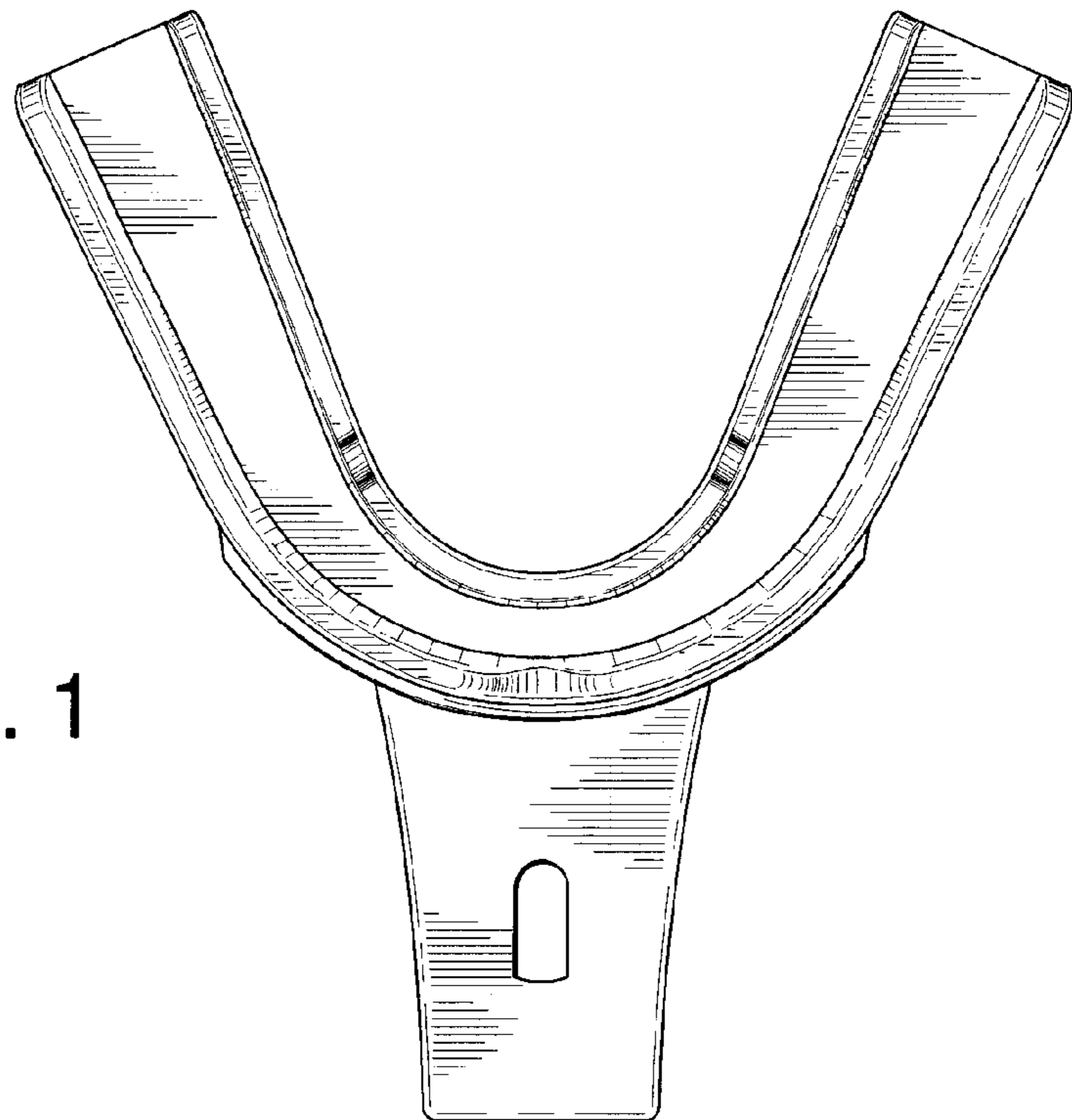


FIG. 1

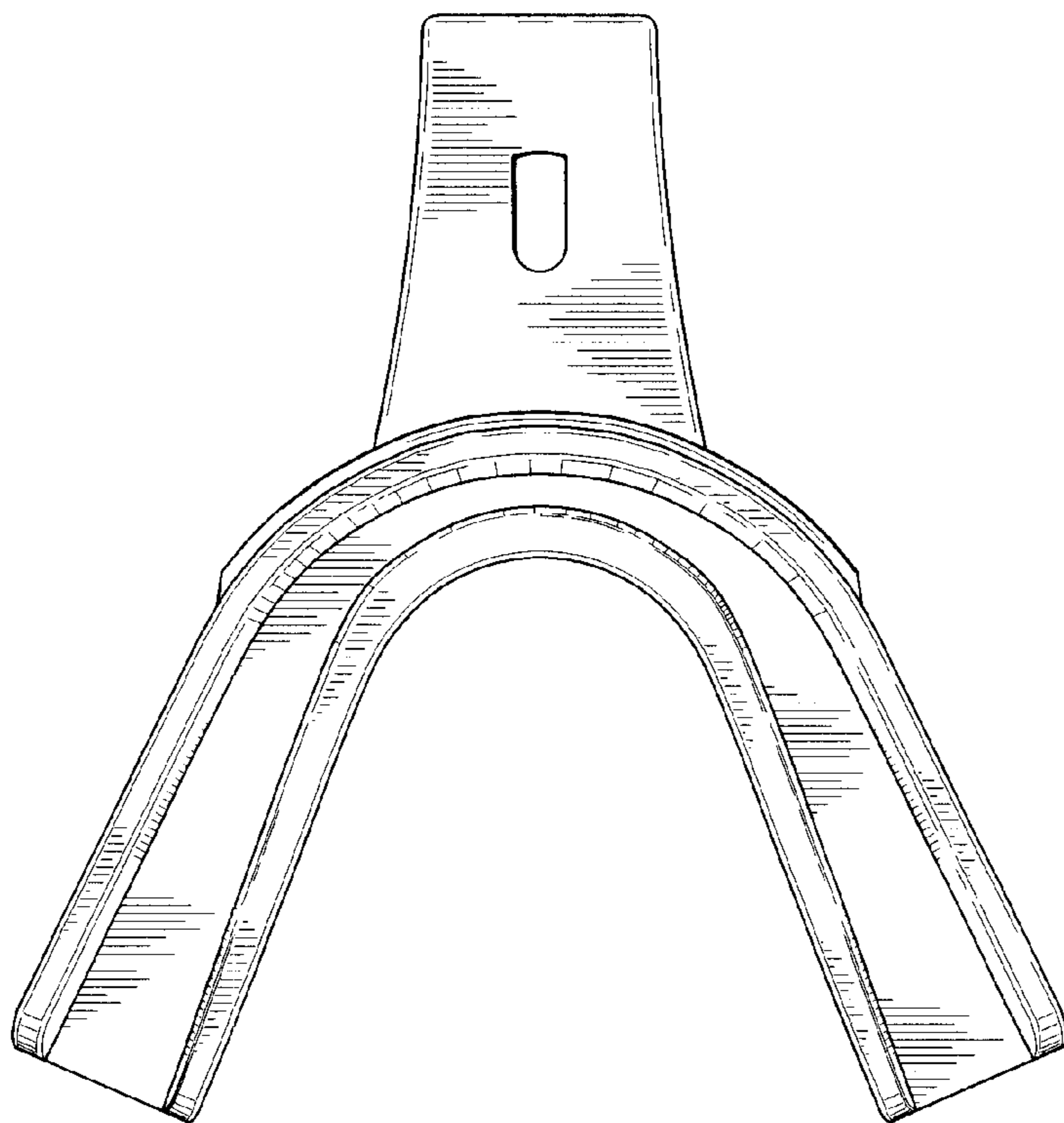


FIG. 2

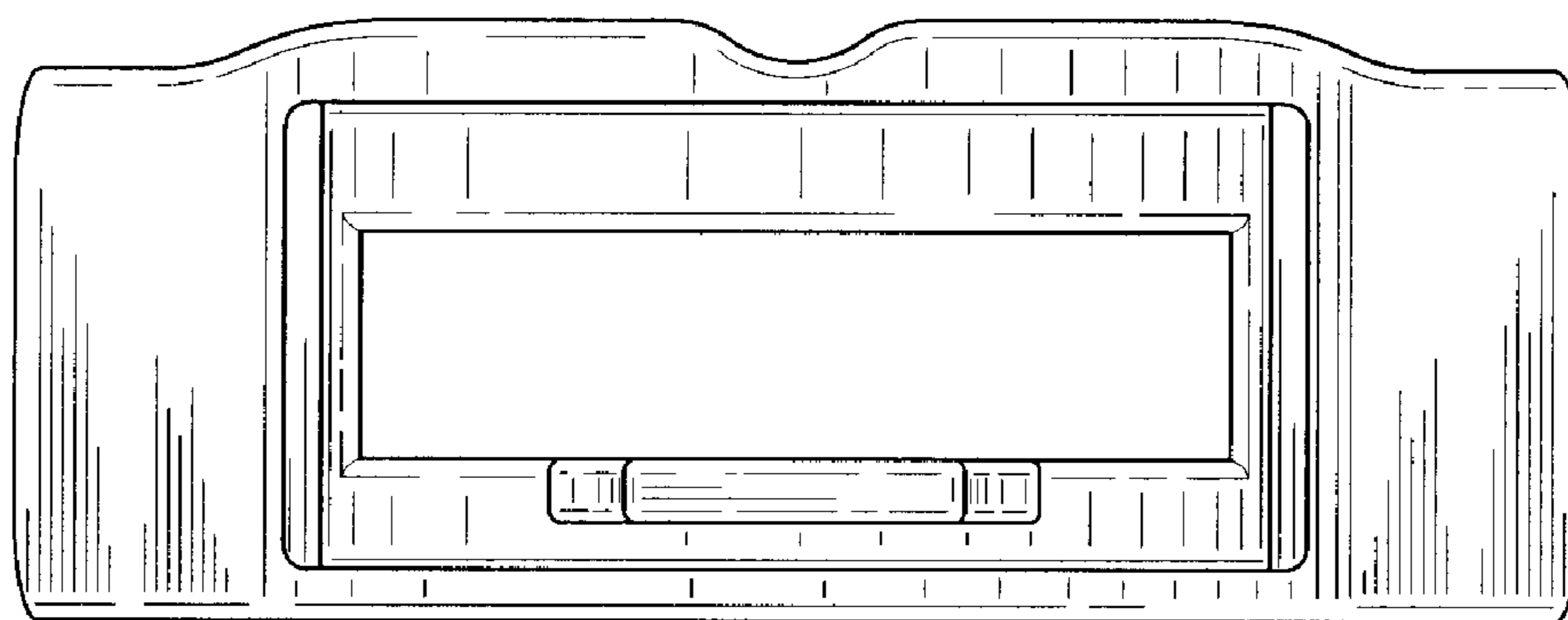


FIG. 3

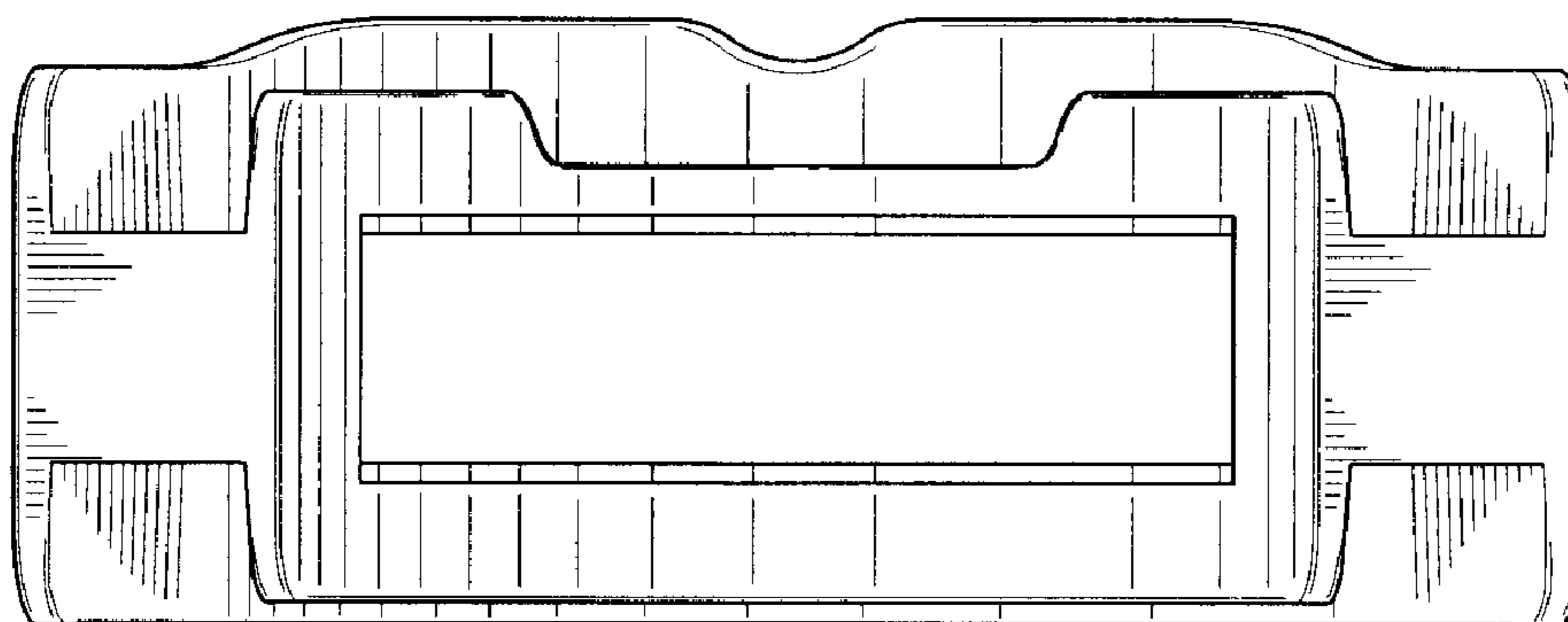


FIG. 4

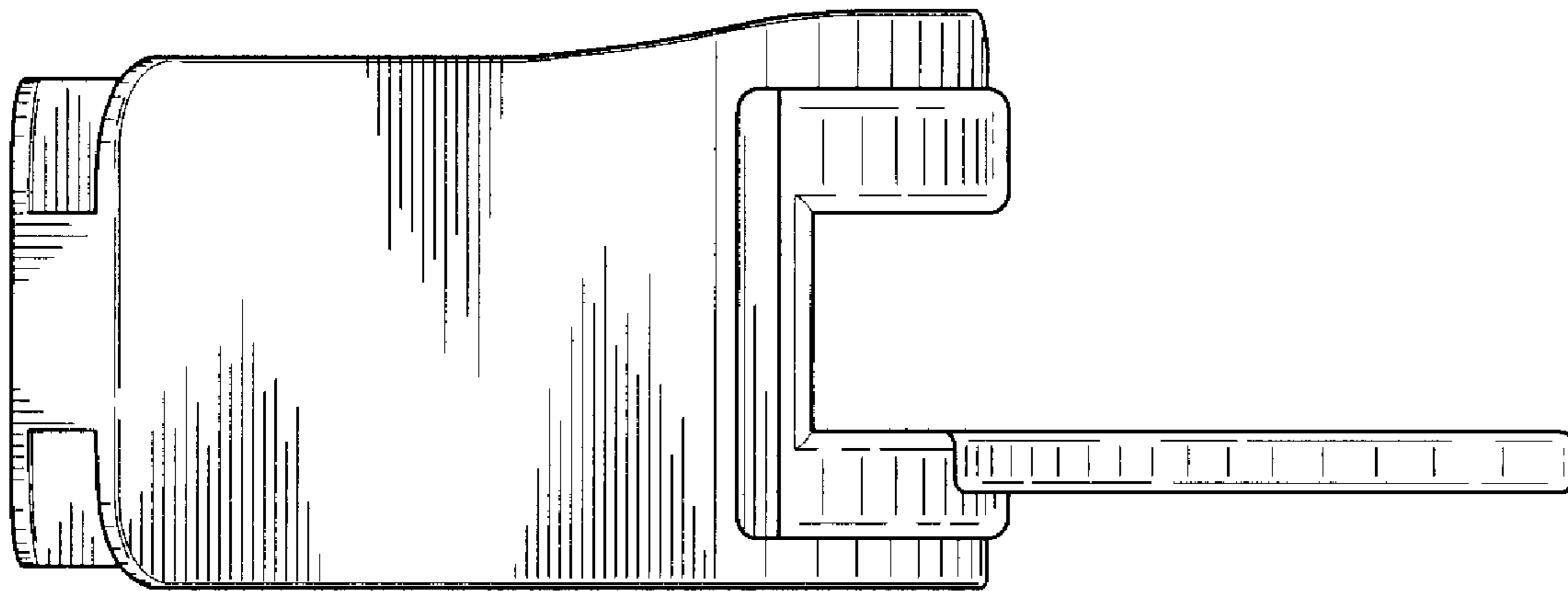


FIG. 5

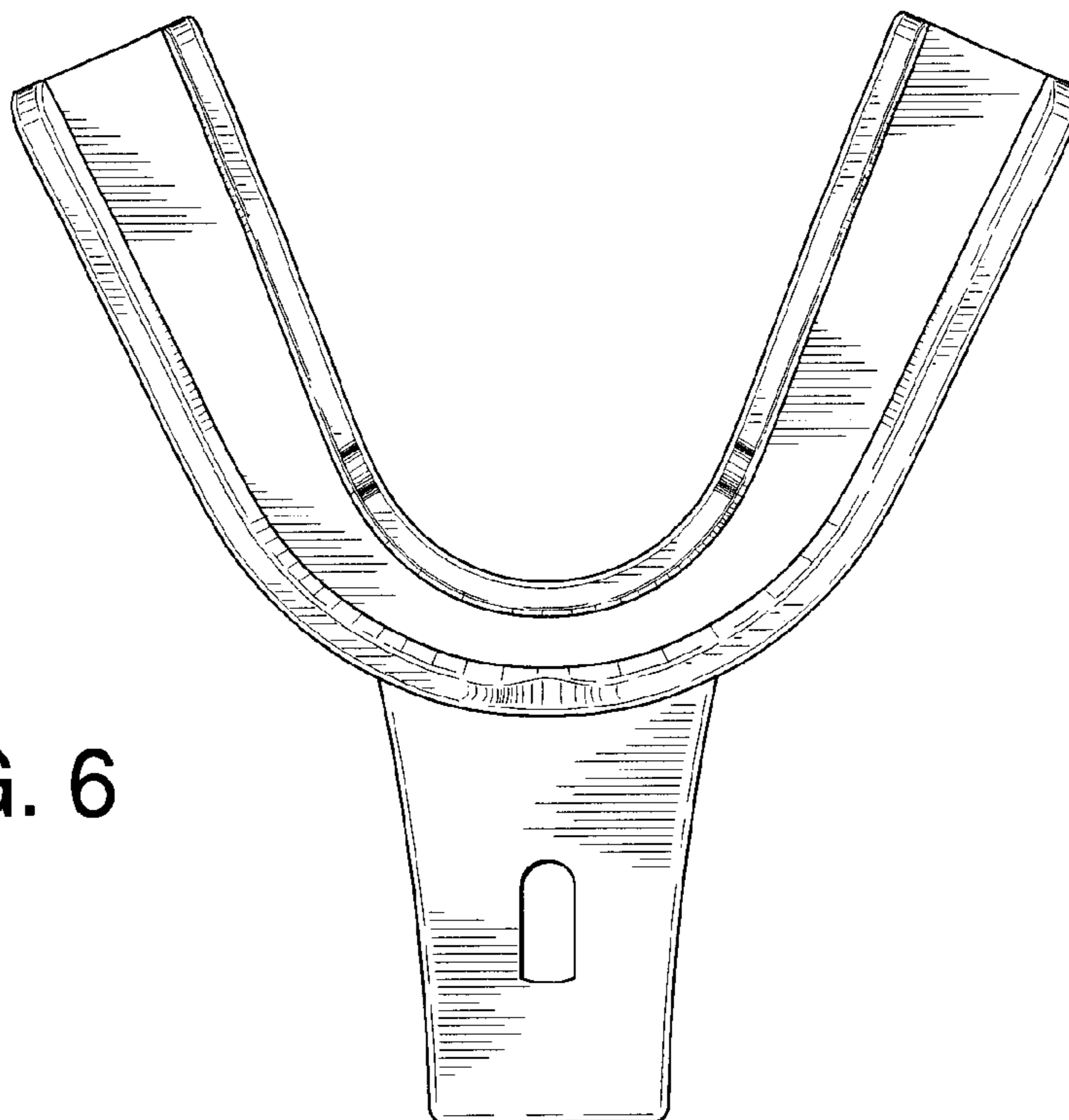


FIG. 6

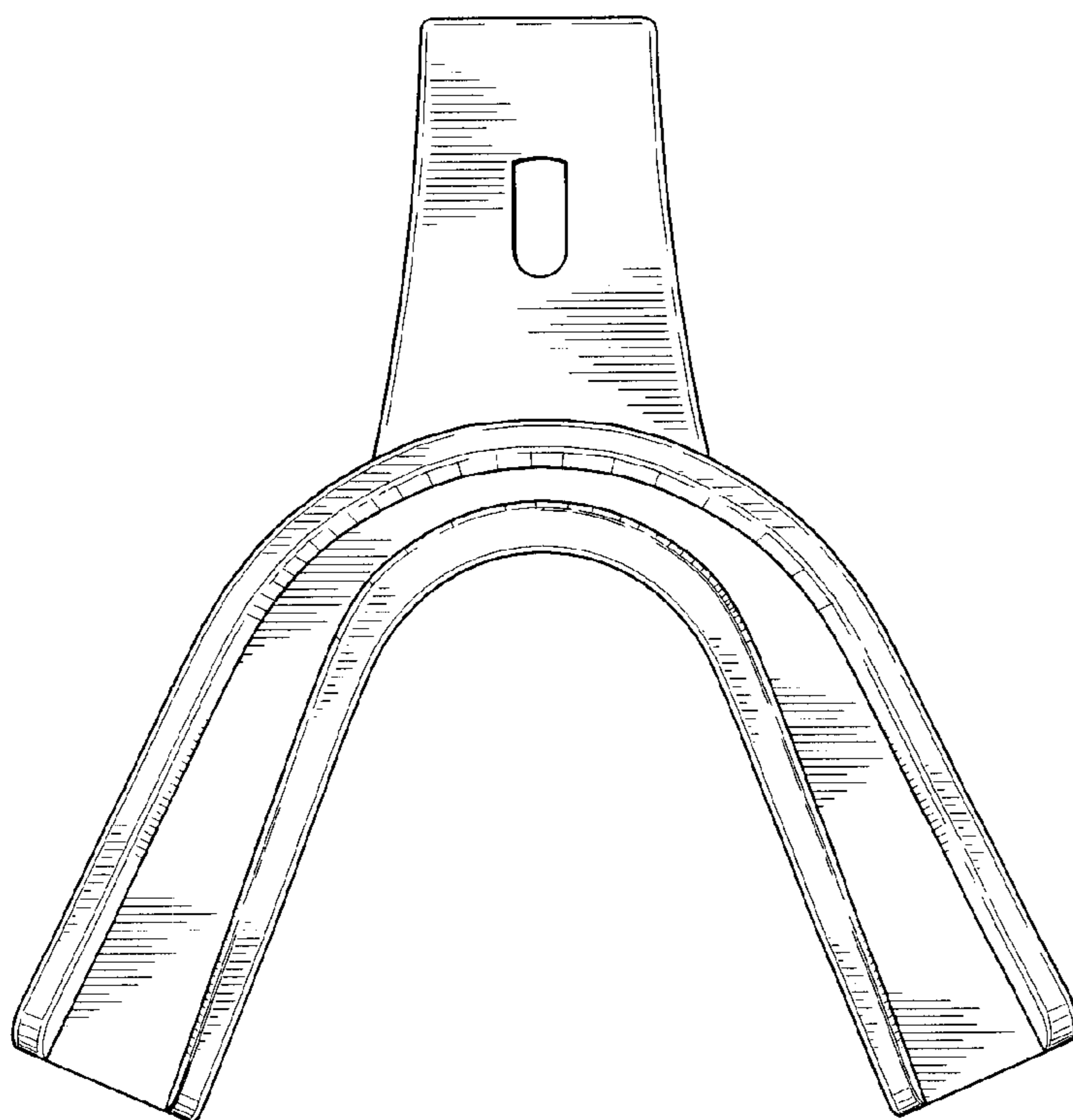


FIG. 7

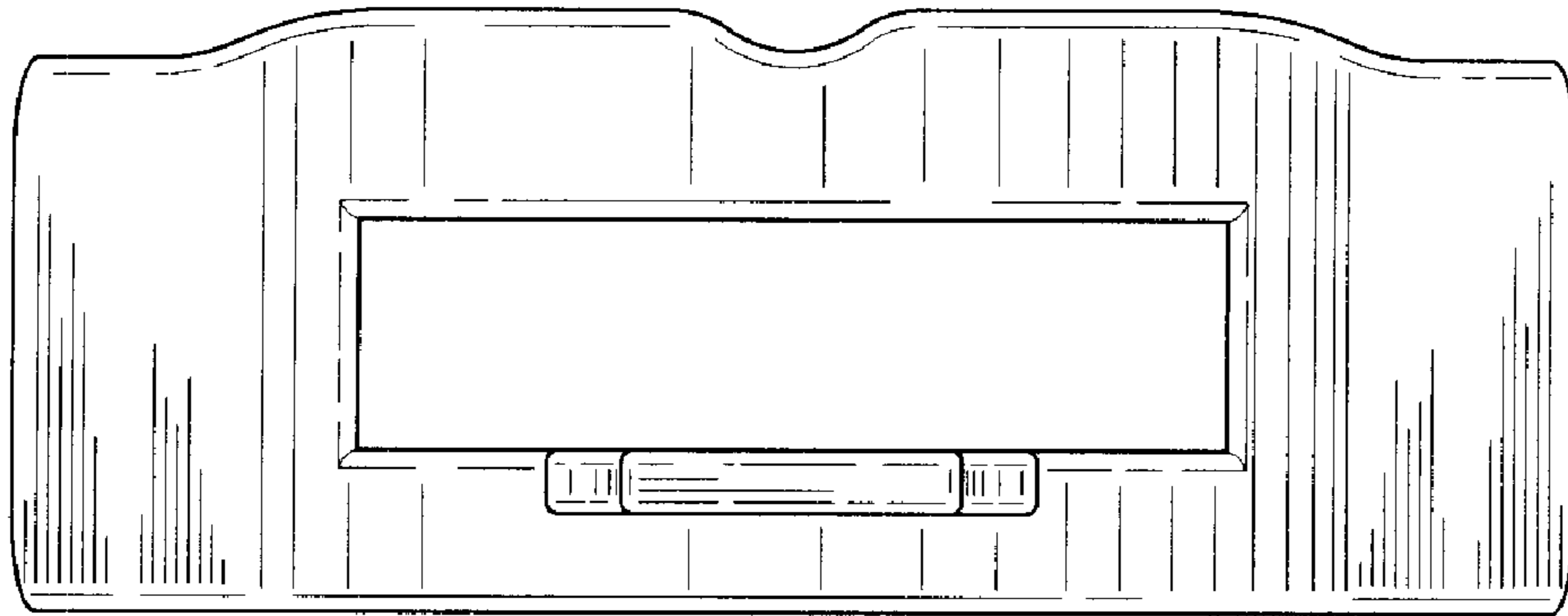


FIG. 8

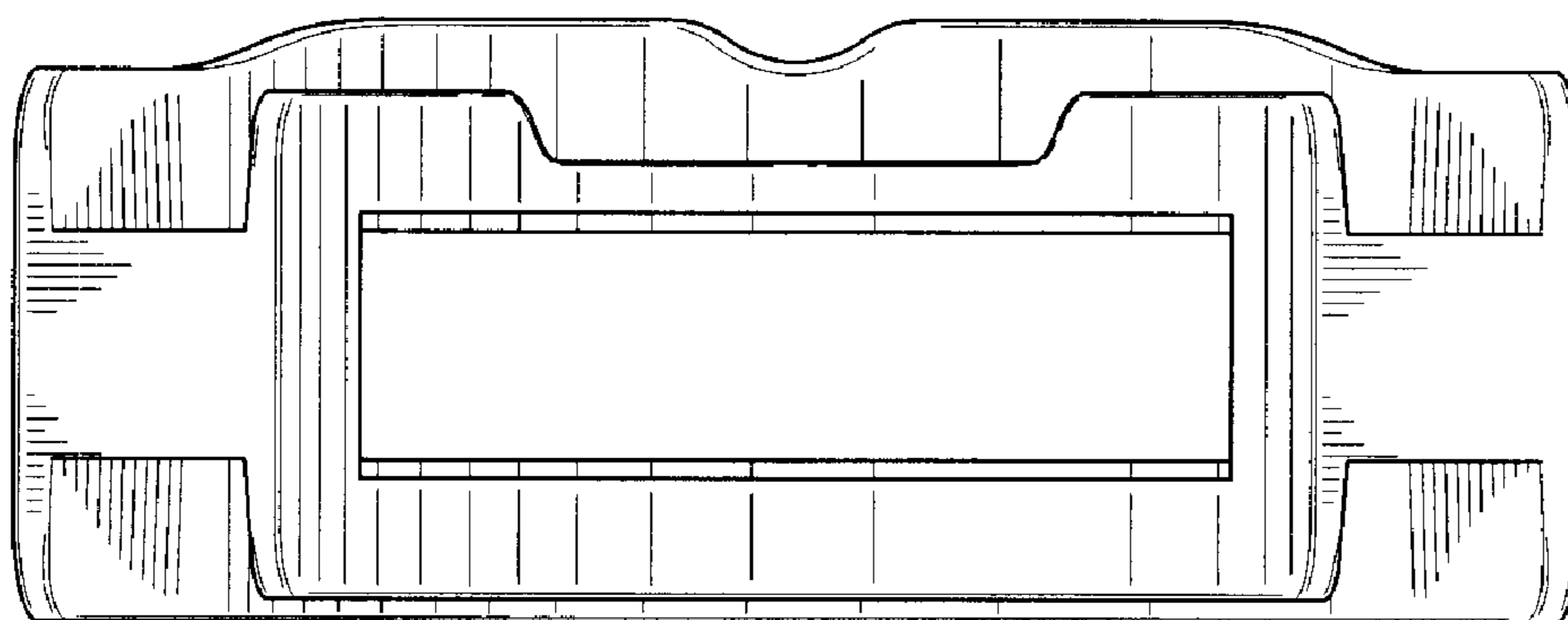


FIG. 9

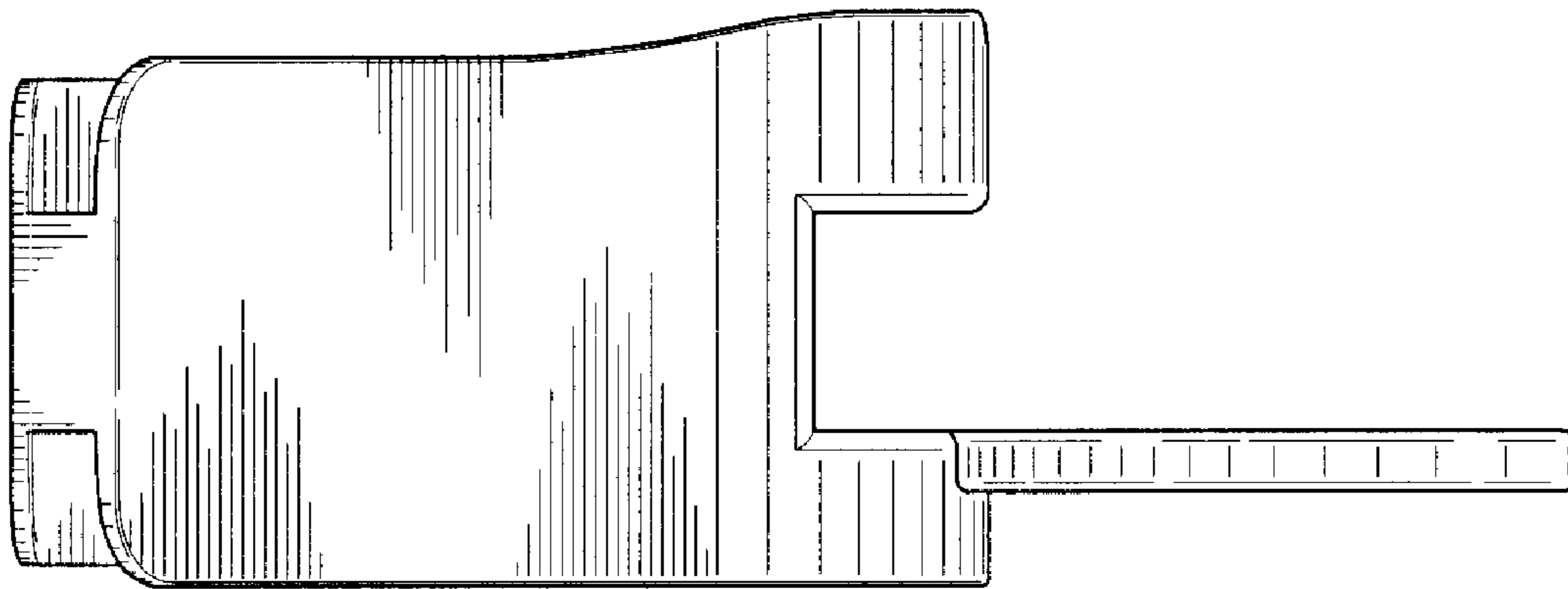


FIG. 10