



US00D537983S

(12) **United States Design Patent**
Shin

(10) **Patent No.:** **US D537,983 S**

(45) **Date of Patent:** **** Mar. 6, 2007**

(54) **ELECTRIC HAIR FLAT IRON**

(76) Inventor: **Kil Seung Shin**, #1060-5, Wolmun-1li,
Wabu-eup, Namyangju-si, Gyeonggi-Do
(KR)

(**) Term: **14 Years**

(21) Appl. No.: **29/254,119**

(22) Filed: **Feb. 17, 2006**

(30) **Foreign Application Priority Data**

Aug. 19, 2005 (KR) 30-2005-0027754

(51) **LOC (8) Cl.** **28-03**

(52) **U.S. Cl.** **D28/35**

(58) **Field of Classification Search** 132/223-225,
132/227-229, 232, 236, 245, 269, 271; D28/35;
219/222, 225, 226

See application file for complete search history.

(56) **References Cited**

U.S. PATENT DOCUMENTS

D480,176 S * 9/2003 Ouellette D28/35
D489,483 S * 5/2004 Cho D28/35
D514,252 S * 1/2006 Shin D28/35

2005/0252519 A1 * 11/2005 Kayser 132/224
2006/0108344 A1 * 5/2006 Kim et al. 219/225

* cited by examiner

Primary Examiner—Jennifer Rivard

(74) *Attorney, Agent, or Firm*—Osha Liang LLP

(57) **CLAIM**

The ornamental design for an electric hair flat iron, as shown and described.

DESCRIPTION

FIG. 1 is a perspective view of the design according to the invention.

FIG. 2 is a front view of the design according to the invention.

FIG. 3 is a rear view of the design according to the invention.

FIG. 4 is a left view of the design according to the invention.

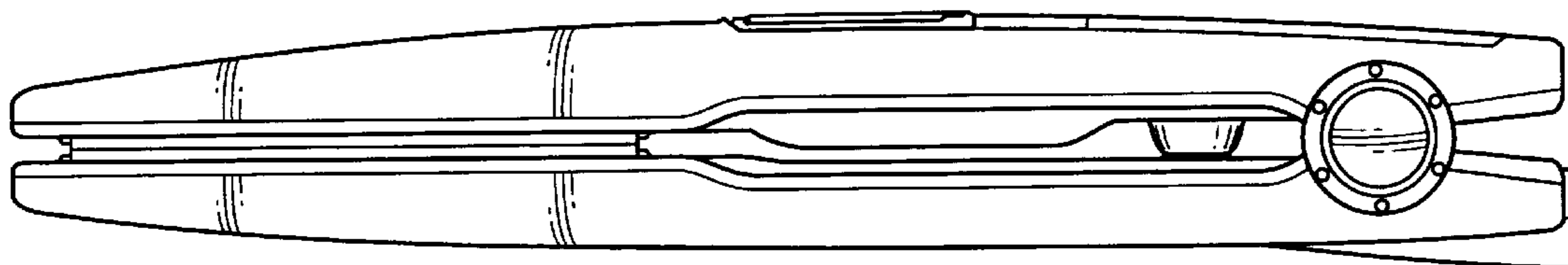
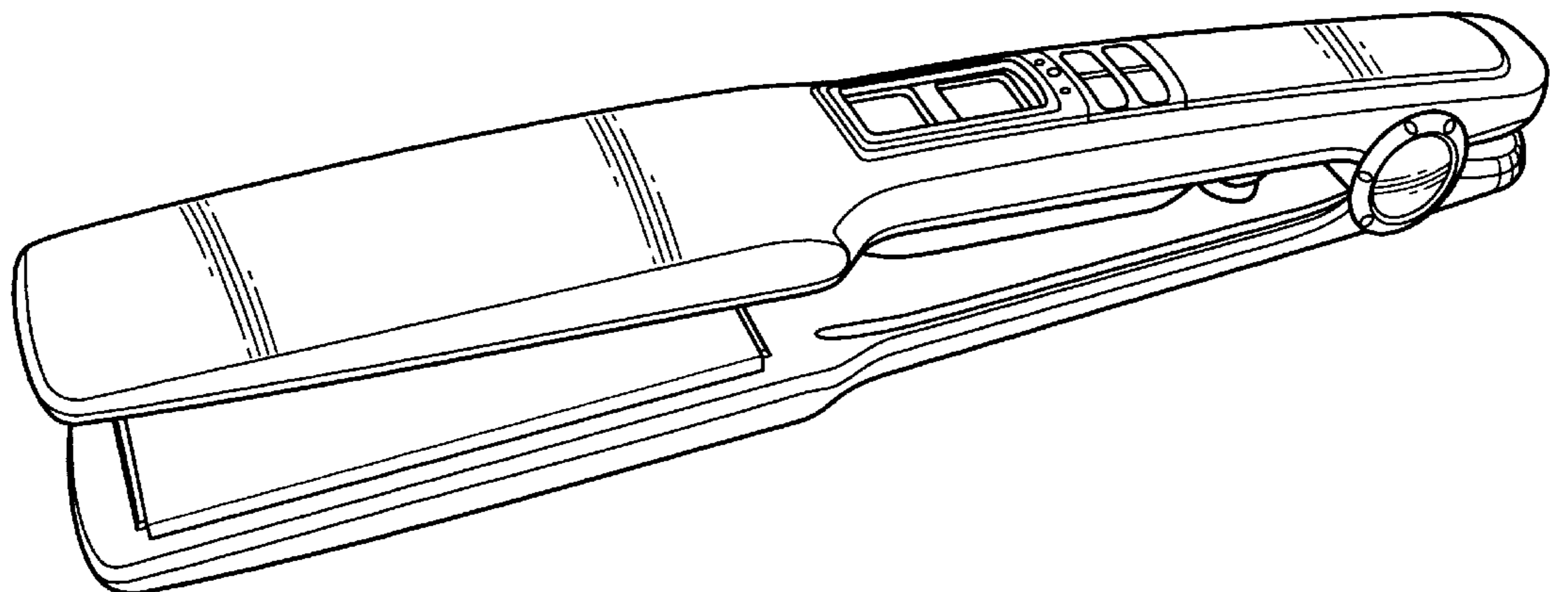
FIG. 5 is a right view of the design according to the invention.

FIG. 6 is a top view of the design according to the invention.

FIG. 7 is a bottom view of the design according to the invention; and,

FIG. 8 is a perspective view of the design according to the invention in an alternate position.

1 Claim, 4 Drawing Sheets



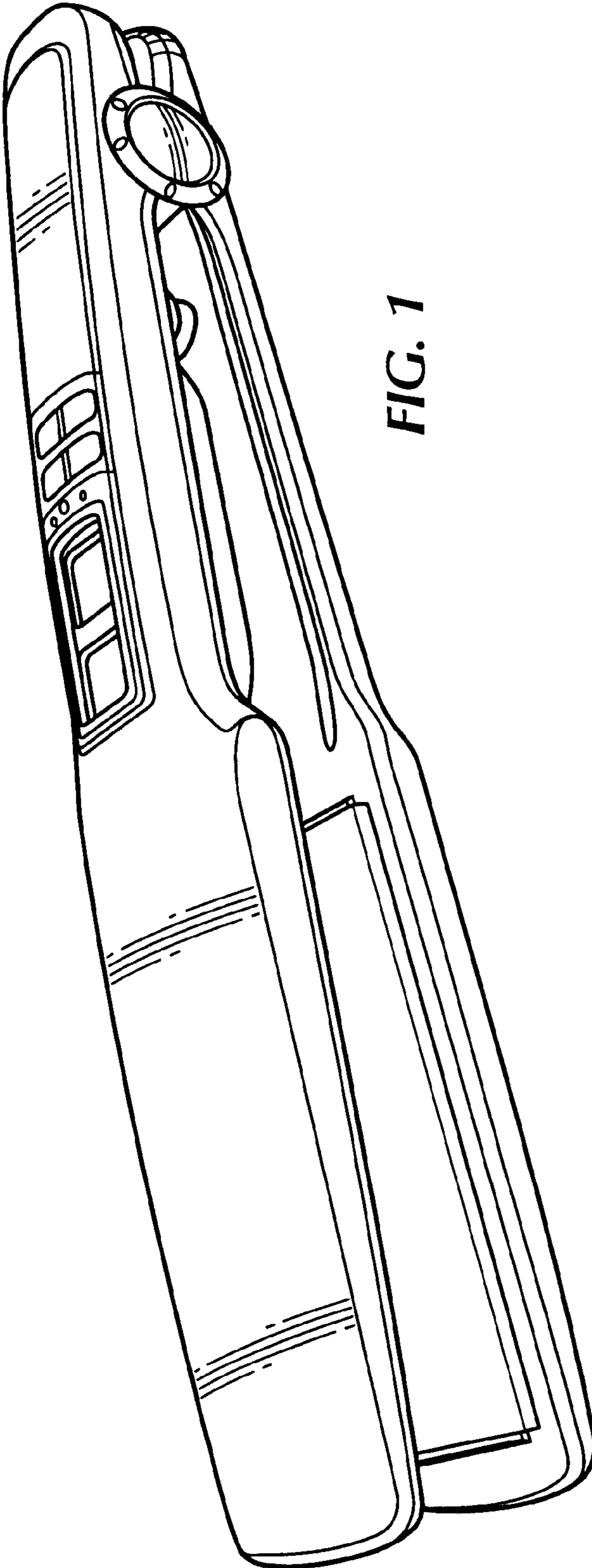


FIG. 1

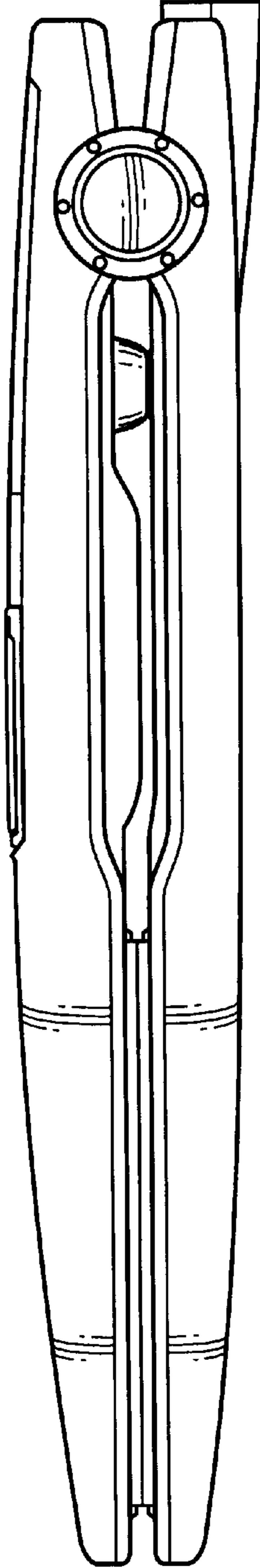


FIG. 2

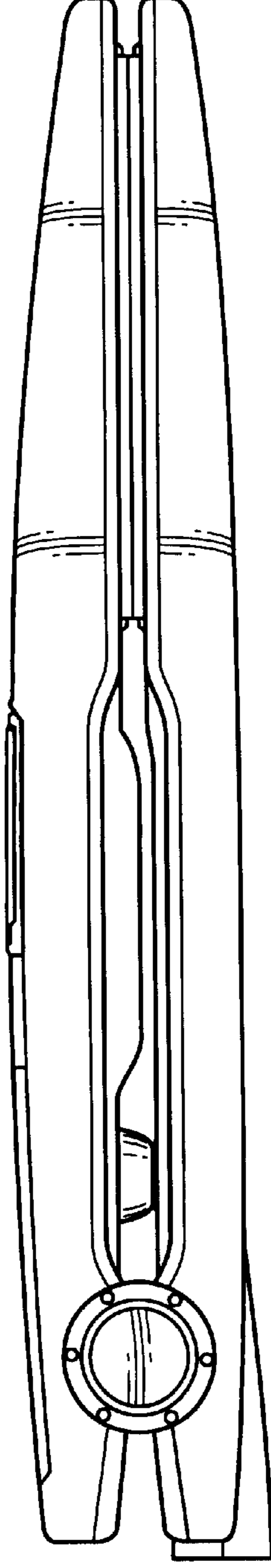


FIG. 3

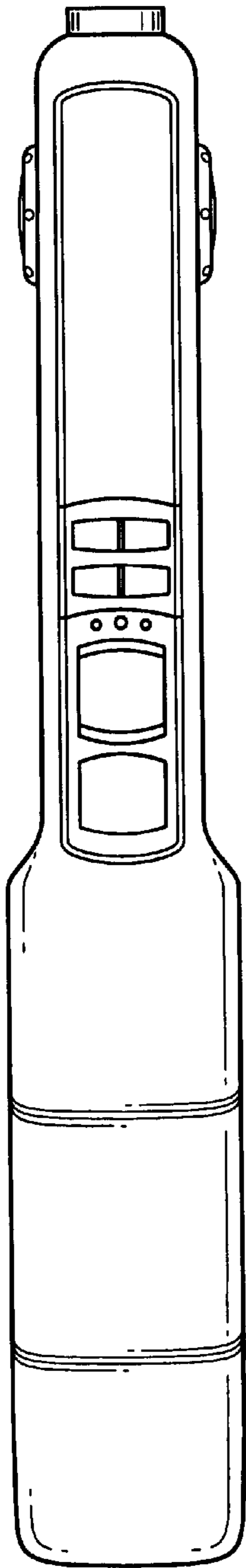


FIG. 6

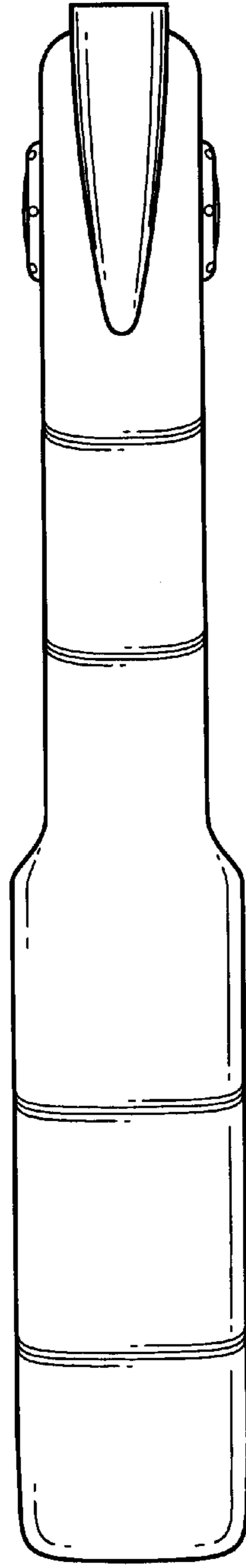


FIG. 7

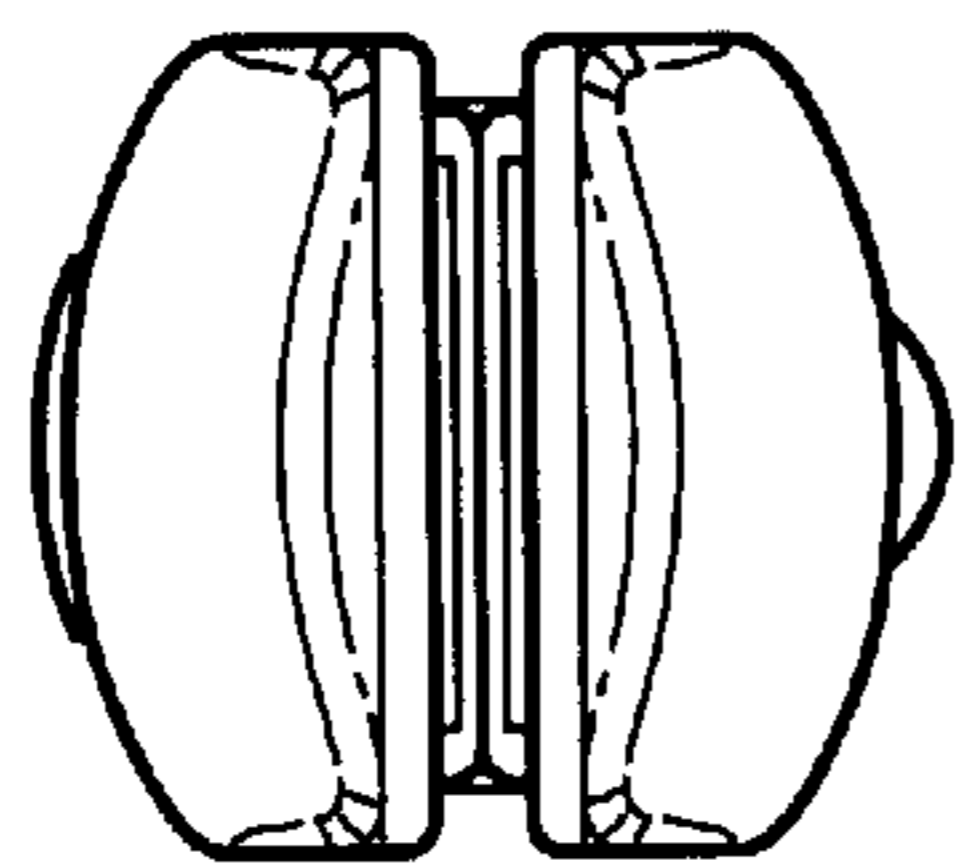


FIG. 4

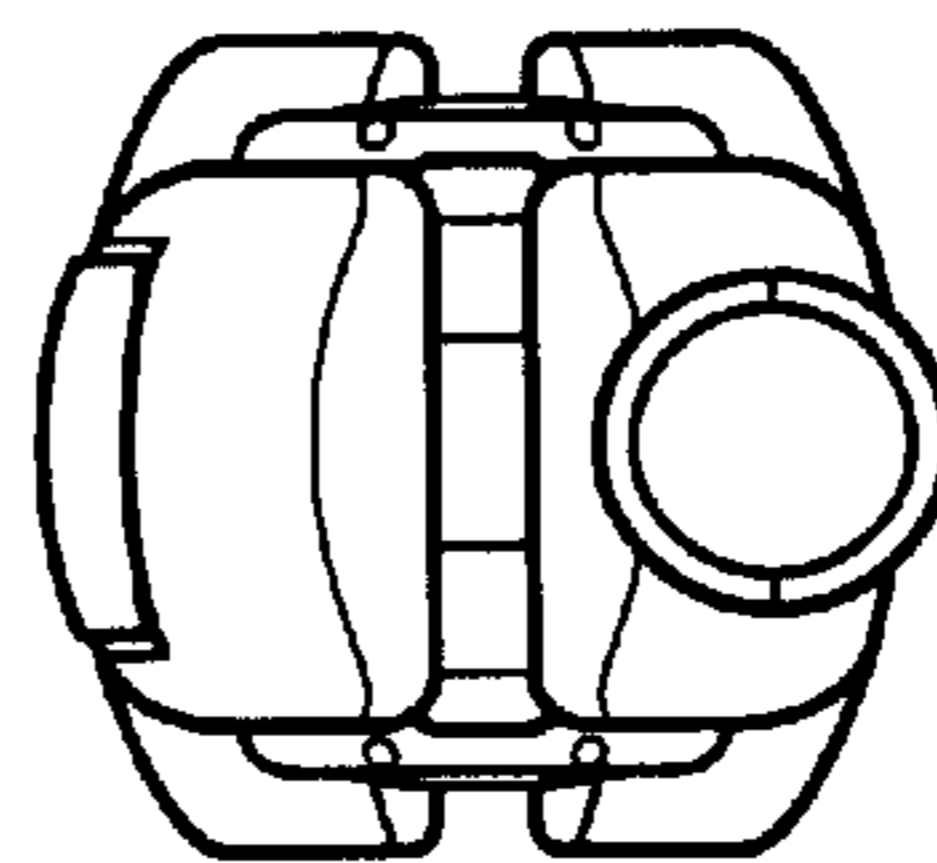


FIG. 5

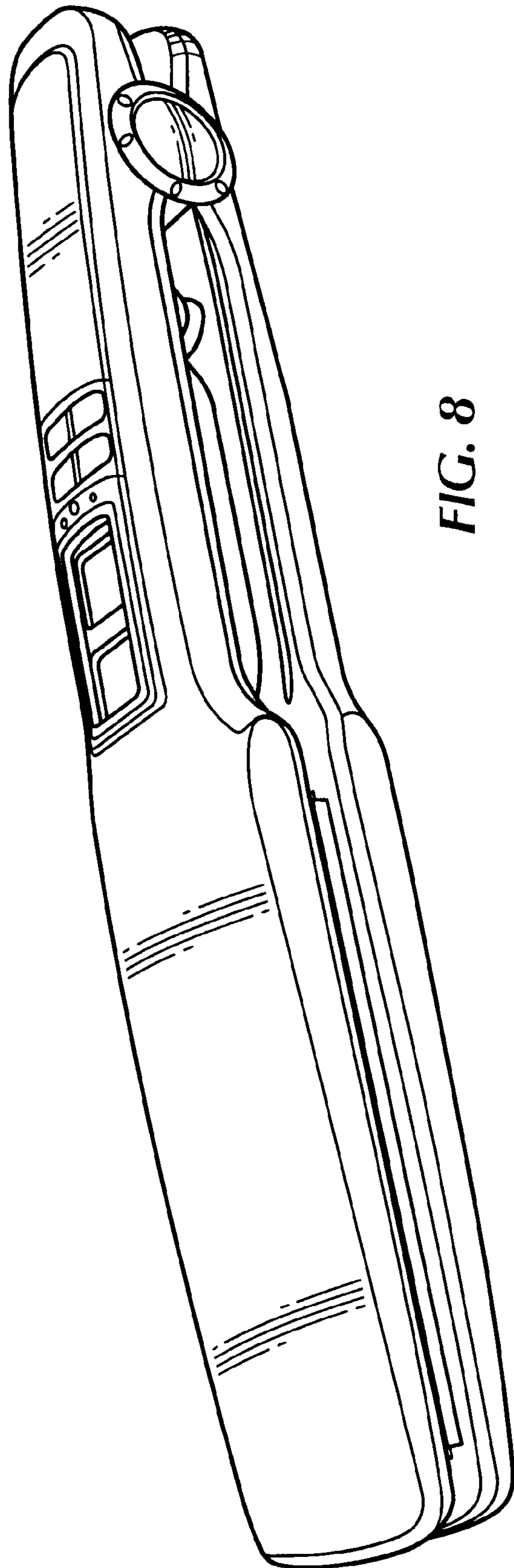


FIG. 8