



US00D537981S

(12) **United States Design Patent** (10) **Patent No.:** **US D537,981 S**  
**Armstrong** (45) **Date of Patent:** **\*\* Mar. 6, 2007**

(54) **DISPENSER HEAD FOR COSMETICS** 6,367,483 B1 \* 4/2002 Chen et al. .... 132/112  
D459,027 S \* 6/2002 Chen et al. .... D28/22  
(75) Inventor: **Mark Armstrong**, London (GB) 6,457,476 B1 \* 10/2002 Elmer et al. .... 132/114  
6,467,653 B1 10/2002 Hamamoto  
(73) Assignee: **The Procter & Gamble Company**, 6,691,712 B2 \* 2/2004 Chu et al. .... 132/112  
Cincinnati, OH (US) D497,033 S \* 10/2004 Micinilio .... D28/24  
D519,674 S \* 4/2006 Chu et al. .... D28/7  
(\*\*) Term: **14 Years** 2001/0040173 A1 11/2001 Yamomoto  
2004/0011810 A1 1/2004 Mita

(21) Appl. No.: **29/244,901**

(22) Filed: **Dec. 15, 2005**

**Related U.S. Application Data**

(62) Division of application No. 29/195,671, filed on Dec. 16, 2003, now Pat. No. Des. 519,675.

(30) **Foreign Application Priority Data**

Jun. 16, 2003 (EM) ..... 000040514

(51) **LOC (8) Cl.** ..... **28-02**

(52) **U.S. Cl.** ..... **D28/7**

(58) **Field of Classification Search** ..... D28/7,  
D28/20-31; D4/114, 116, 100, 136; 132/112-116,  
132/126, 270, 219, 208, 119.1, 148, 150,  
132/202, 317, 320, 901, 108; 401/6, 268,  
401/202-207, 261-267

See application file for complete search history.

(56) **References Cited**

**U.S. PATENT DOCUMENTS**

3,520,311 A \* 7/1970 Karfo et al. .... 132/111  
3,961,635 A \* 6/1976 Miya ..... 132/113  
D442,331 S \* 5/2001 Pannozzo et al. .... D28/7  
6,302,607 B1 \* 10/2001 Burrowes et al. .... 401/18  
D451,244 S \* 11/2001 Chen et al. .... D28/25  
6,332,726 B2 12/2001 Yamamoto

**FOREIGN PATENT DOCUMENTS**

JP 2000062861 \* 2/2000  
WO WO 9926508 A1 \* 6/1999  
WO WO-99/26510 A1 6/1999  
WO WO-01/89956 A2 11/2001

\* cited by examiner

*Primary Examiner*—Lucy Lieberman

(74) *Attorney, Agent, or Firm*—Michael J. Sambrook;  
Marianne Dressman; Tara M. Rosnell

(57) **CLAIM**

The ornamental design for a dispenser head for cosmetics, as shown and described.

**DESCRIPTION**

FIG. 1 is a front elevational view of a dispenser, embodying my new design;

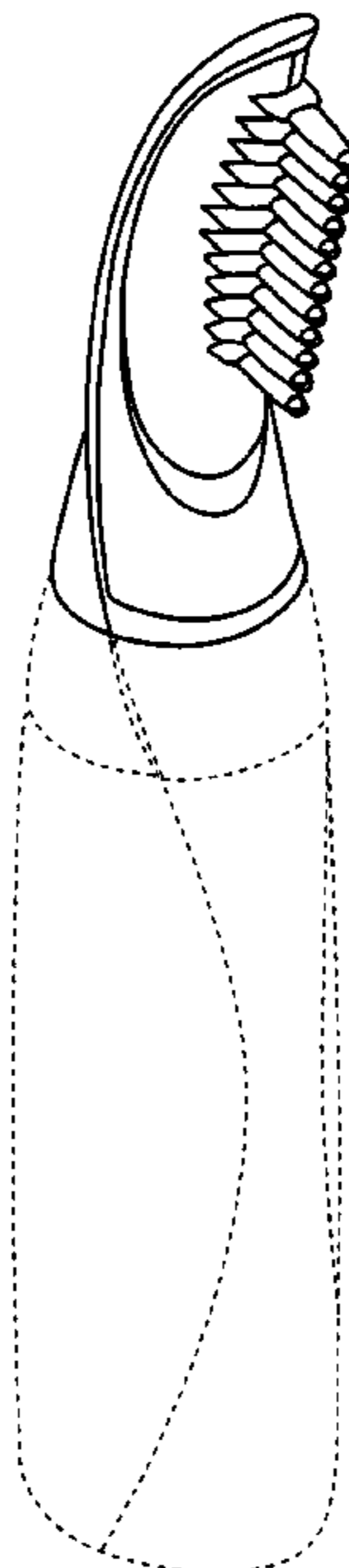
FIG. 2 is a side elevational view of the dispenser of FIG. 1;

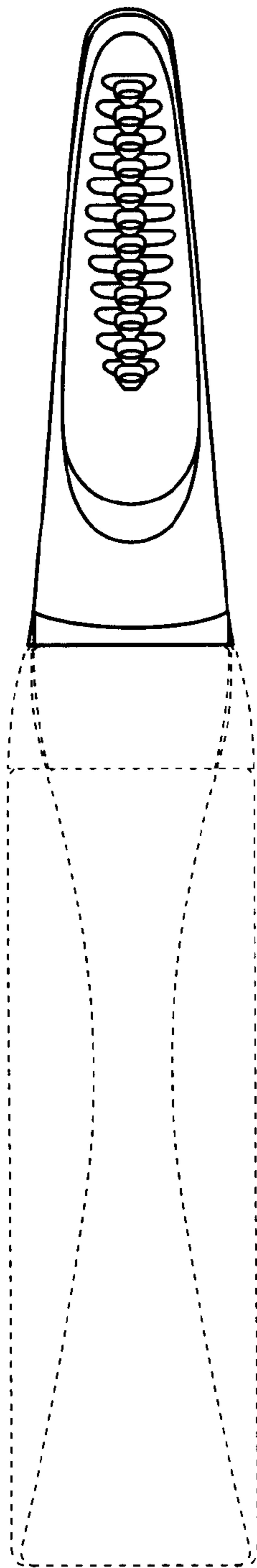
FIG. 3 is a rear perspective view of the dispenser of FIG. 1; and,

FIG. 4 is a front perspective view of the dispenser of FIG. 1.

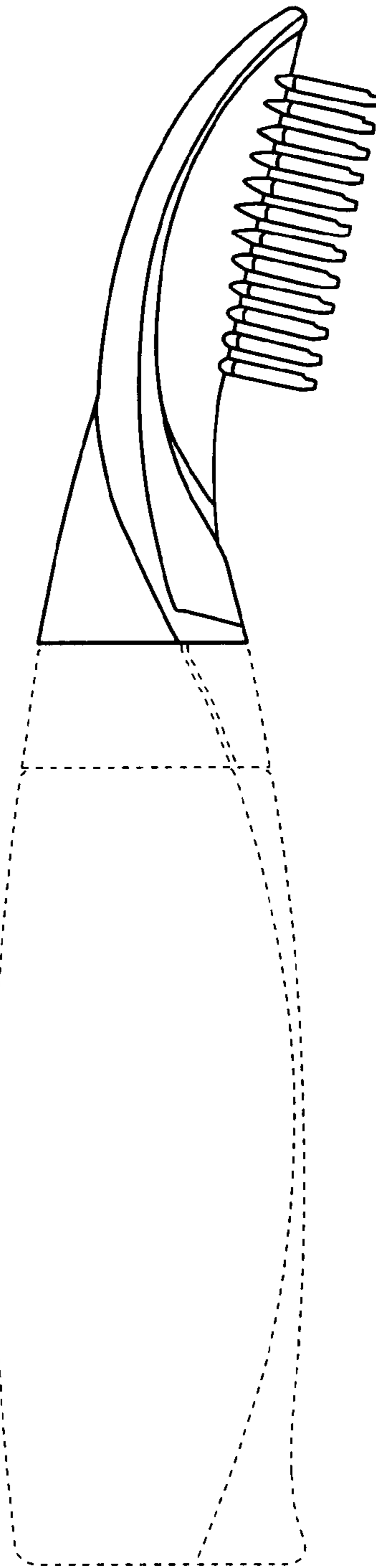
The broken lines showing portions of the dispenser in FIGS. 1 through 4 are for illustrative purposes only and form no part of the claimed design.

**1 Claim, 2 Drawing Sheets**

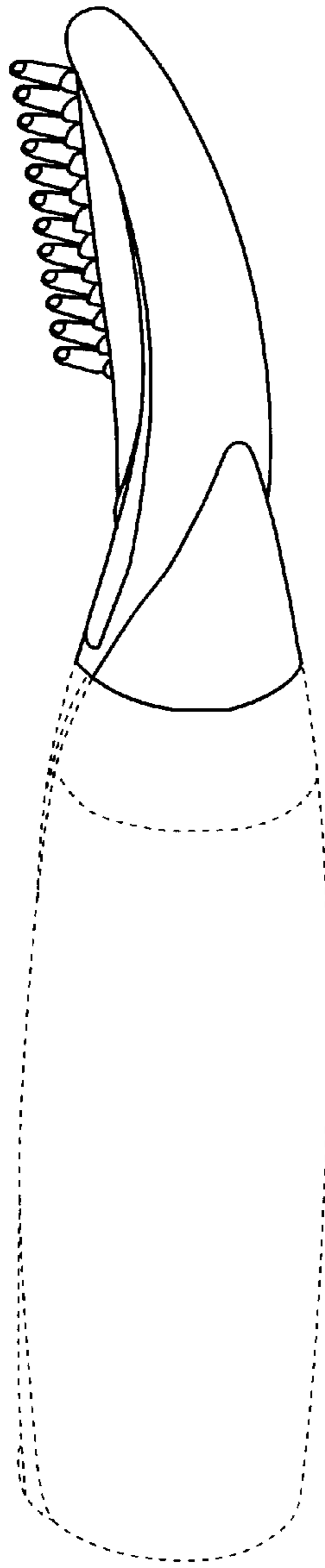




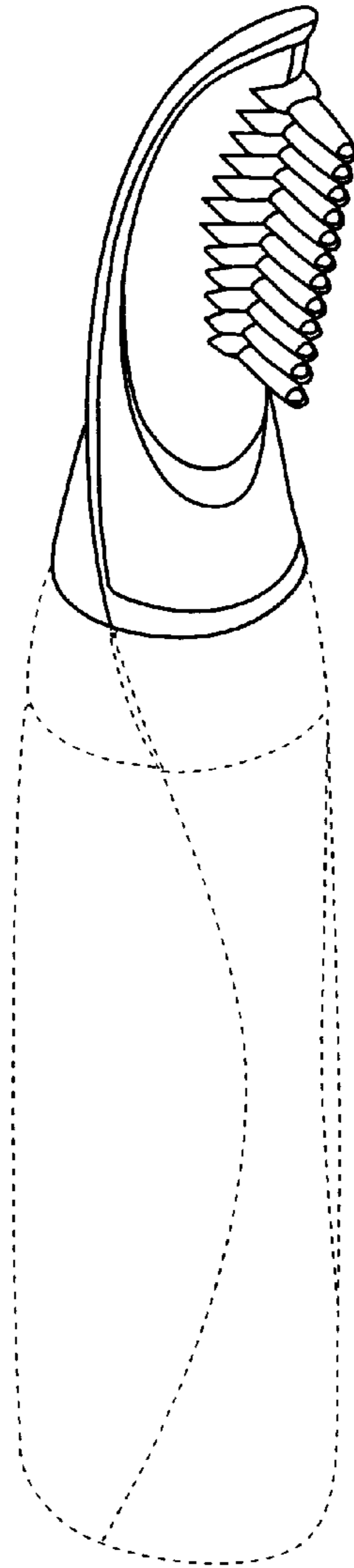
*Fig. 1*



*Fig. 2*



*Fig. 3*



*Fig. 4*