



US00D537979S

(12) **United States Design Patent**
Chen

(10) **Patent No.:** **US D537,979 S**

(45) **Date of Patent:** **** Mar. 6, 2007**

(54) **VISITING CARD CLIP LIGHTER**

D347,706 S * 6/1994 Ichikawa D27/154
D466,645 S * 12/2002 Harel D27/154

(76) Inventor: **Peter Chen**, 3431 Willowglen La., West
Covina, CA (US) 91792

* cited by examiner

(**) Term: **14 Years**

Primary Examiner—Jennifer Rivard

(74) *Attorney, Agent, or Firm*—Troxell Law Office, PLLC

(21) Appl. No.: **29/258,014**

(57) **CLAIM**

(22) Filed: **Apr. 14, 2006**

The ornamental design for a visiting card clip lighter, as shown.

(51) **LOC (8) Cl.** **27-05**

(52) **U.S. Cl.** **D27/154**

(58) **Field of Classification Search** D27/141–161;
431/129, 143, 153, 253–256, 273–277
See application file for complete search history.

DESCRIPTION

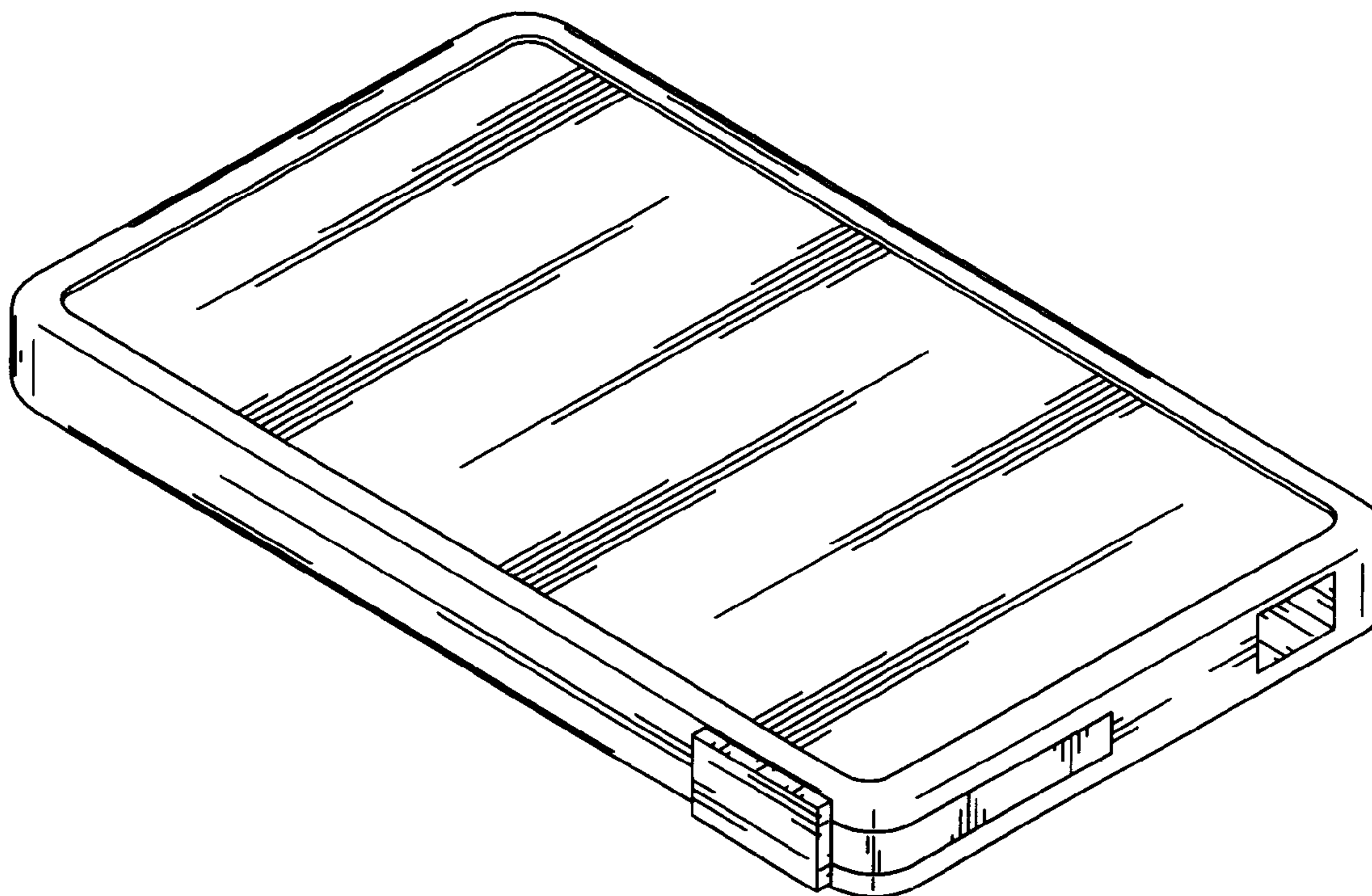
FIG. 1 is a perspective view thereof;
FIG. 2 is a front elevation view thereof;
FIG. 3 is a rear elevation view thereof;
FIG. 4 is a right side elevation view thereof;
FIG. 5 is a left side elevation view thereof;
FIG. 6 is a top view thereof; and,
FIG. 7 is a bottom view thereof.

(56) **References Cited**

U.S. PATENT DOCUMENTS

D127,485 S * 5/1941 Landwehr D27/144
D289,801 S * 5/1987 Fujisawa D27/154
D296,017 S * 5/1988 Thoby D27/142

1 Claim, 4 Drawing Sheets



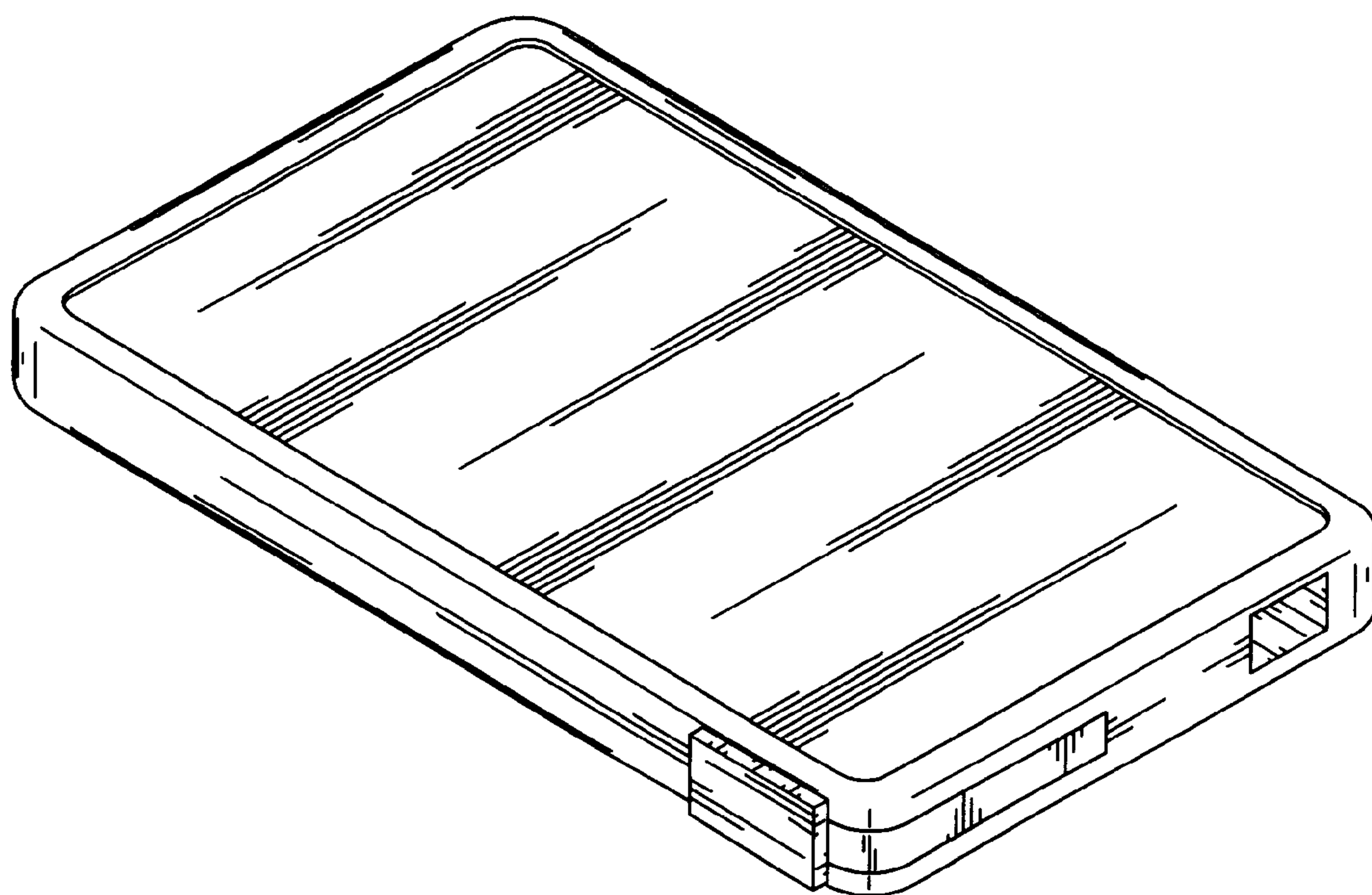


FIG. 1

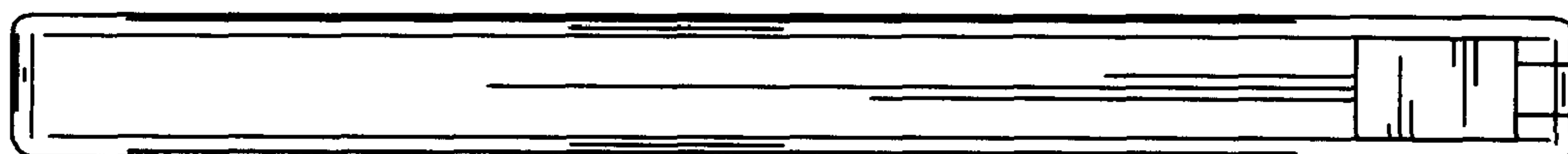


FIG. 2

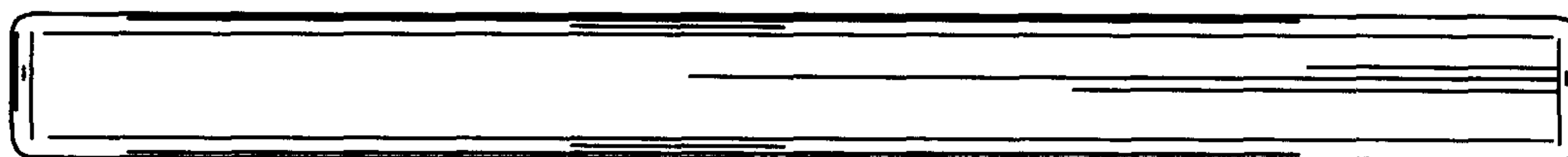


FIG. 3

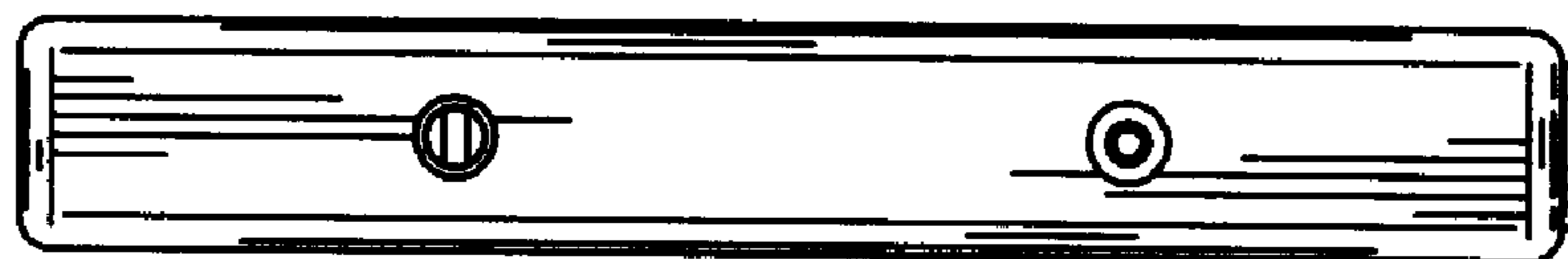


FIG. 4

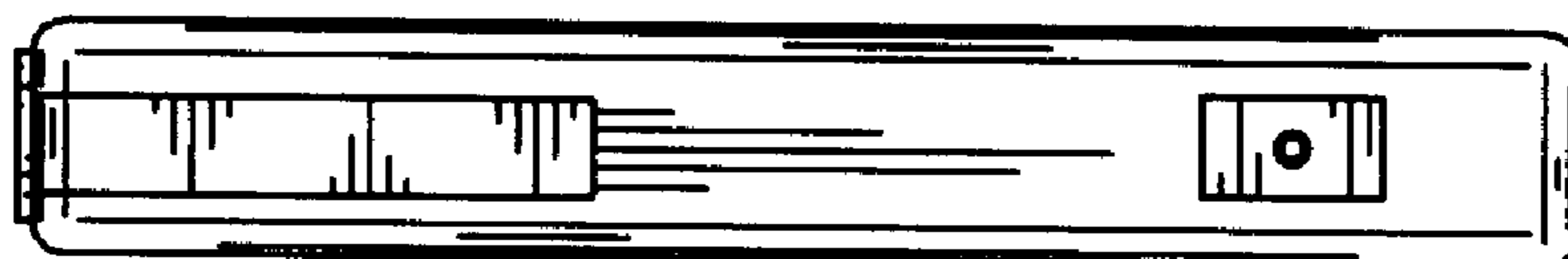


FIG. 5

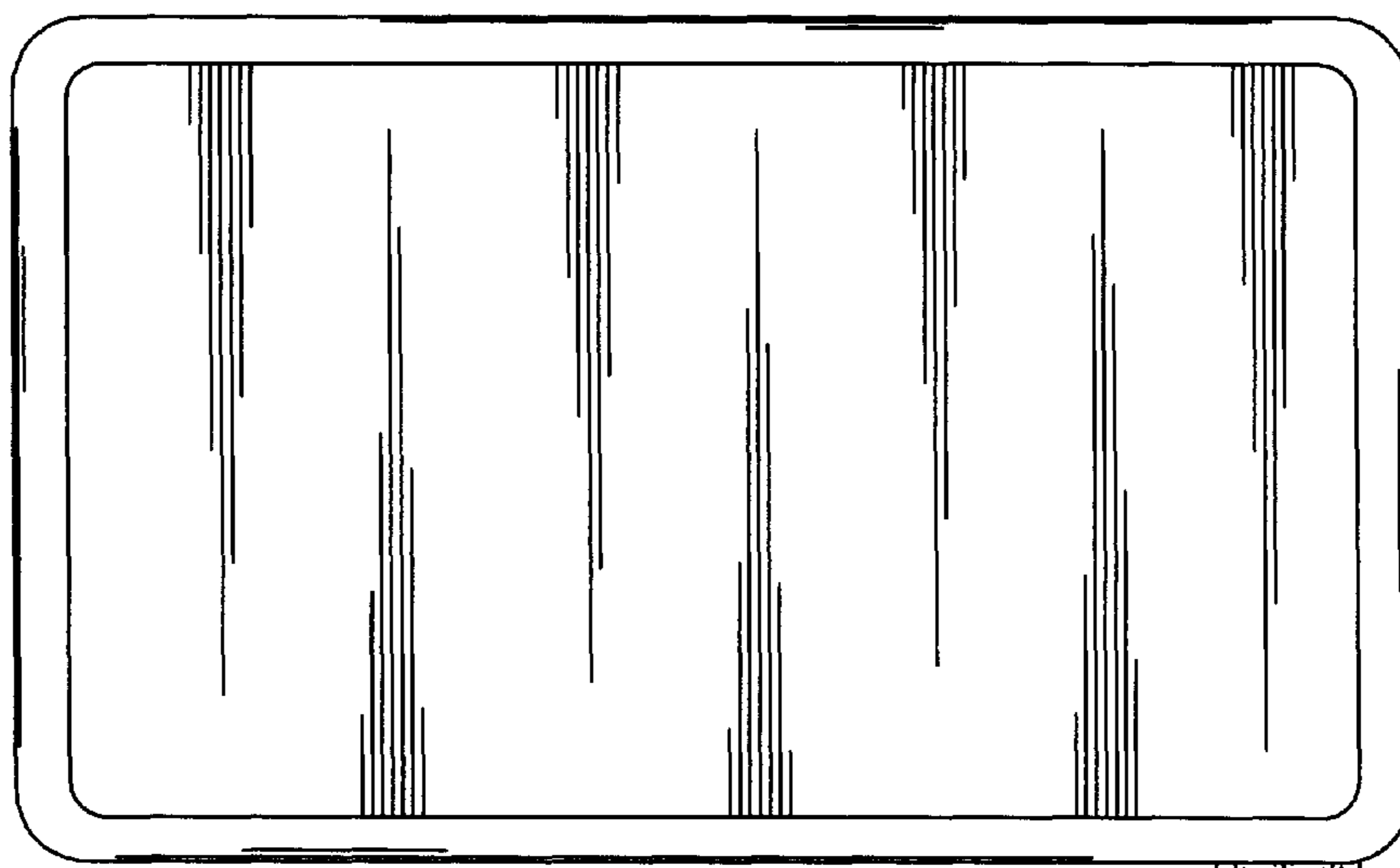


FIG. 6

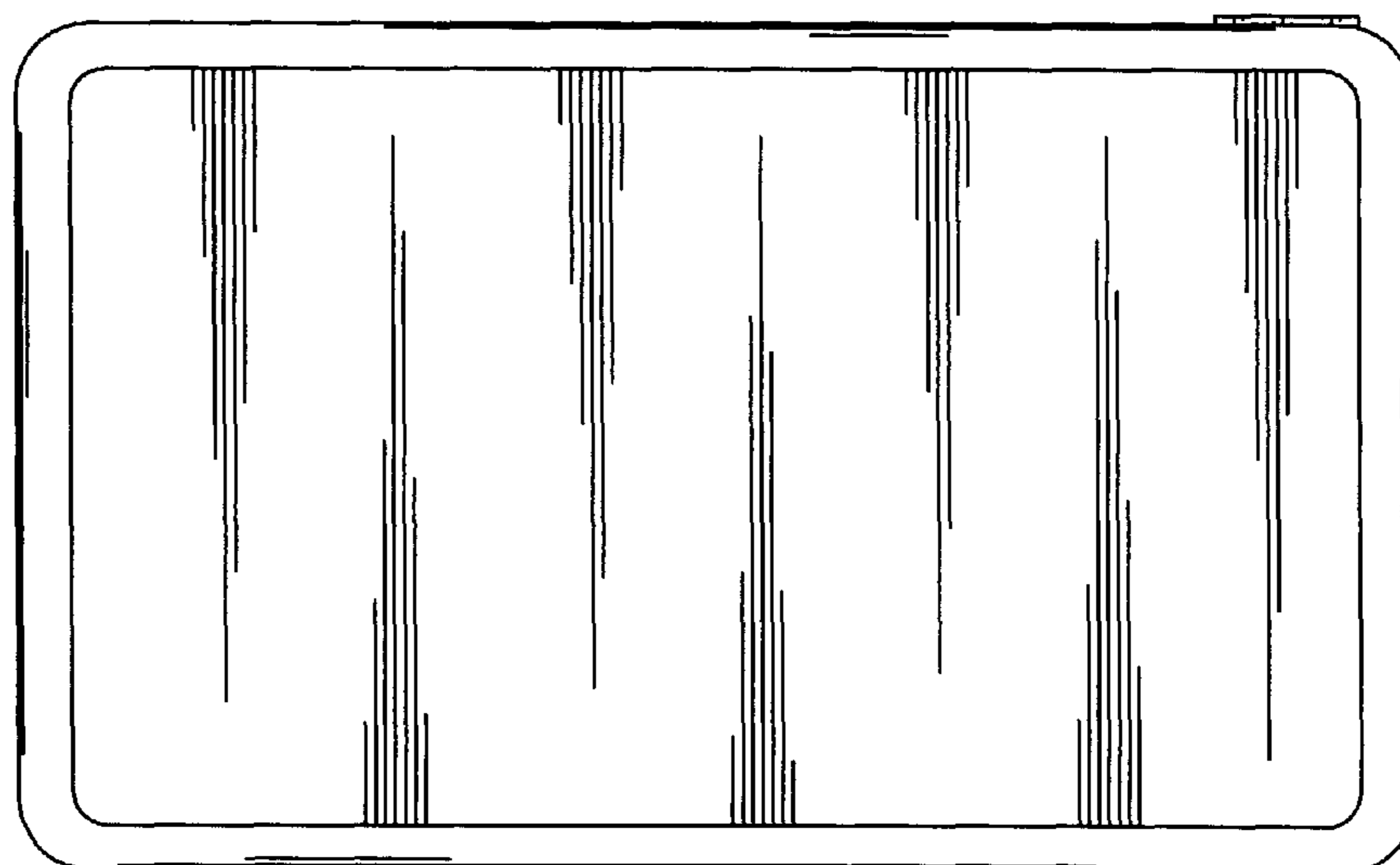


FIG. 7