



US00D537971S

(12) **United States Design Patent**
Shiu

(10) **Patent No.:** **US D537,971 S**

(45) **Date of Patent:** **** Mar. 6, 2007**

(54) **FLASHLIGHT**

(75) **Inventor:** **Stephanie Wai Man Shiu**, Hong Kong (HK)

(73) **Assignee:** **Gold Coral International Limited**, Hong Kong (HK)

(**) **Term:** **14 Years**

(21) **Appl. No.:** **29/253,677**

(22) **Filed:** **Feb. 10, 2006**

(30) **Foreign Application Priority Data**

Aug. 12, 2005 (HK) 0501868.6M001-M002

(51) **LOC (8) Cl.** **26-02**

(52) **U.S. Cl.** **D26/49**

(58) **Field of Classification Search** D26/37-50;
362/157, 158, 171-174, 183-208
See application file for complete search history.

(56) **References Cited**

U.S. PATENT DOCUMENTS

D374,495 S * 10/1996 Garrity D26/49

D433,523 S * 11/2000 Poon D26/49
D463,594 S * 9/2002 Cheong et al. D26/49
D486,936 S * 2/2004 Shiu D26/49
D486,937 S * 2/2004 Shiu D26/49

* cited by examiner

Primary Examiner—Marcus A. Jackson

(74) *Attorney, Agent, or Firm*—Joseph G. Swan, PC

(57) **CLAIM**

The ornamental design for a flashlight, as shown and described.

DESCRIPTION

FIG. 1 is a top plan view of a flashlight according to the present invention.

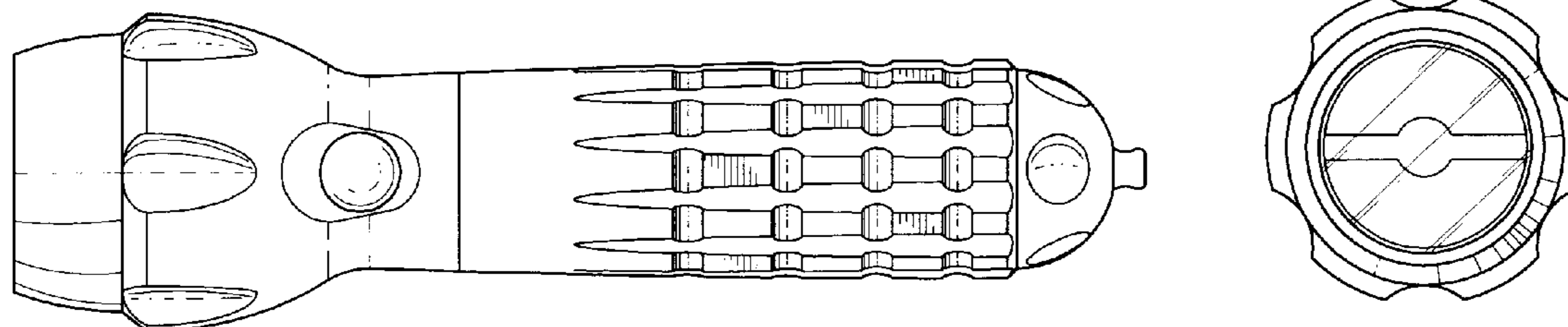
FIG. 2 is a front elevational view of the flashlight.

FIG. 3 is a left side elevational view of the flashlight, with the right side elevational view being a mirror image of the left side elevational view.

FIG. 4 is a rear elevational view of the flashlight; and,

FIG. 5 is a bottom plan view of the flashlight.

1 Claim, 1 Drawing Sheet



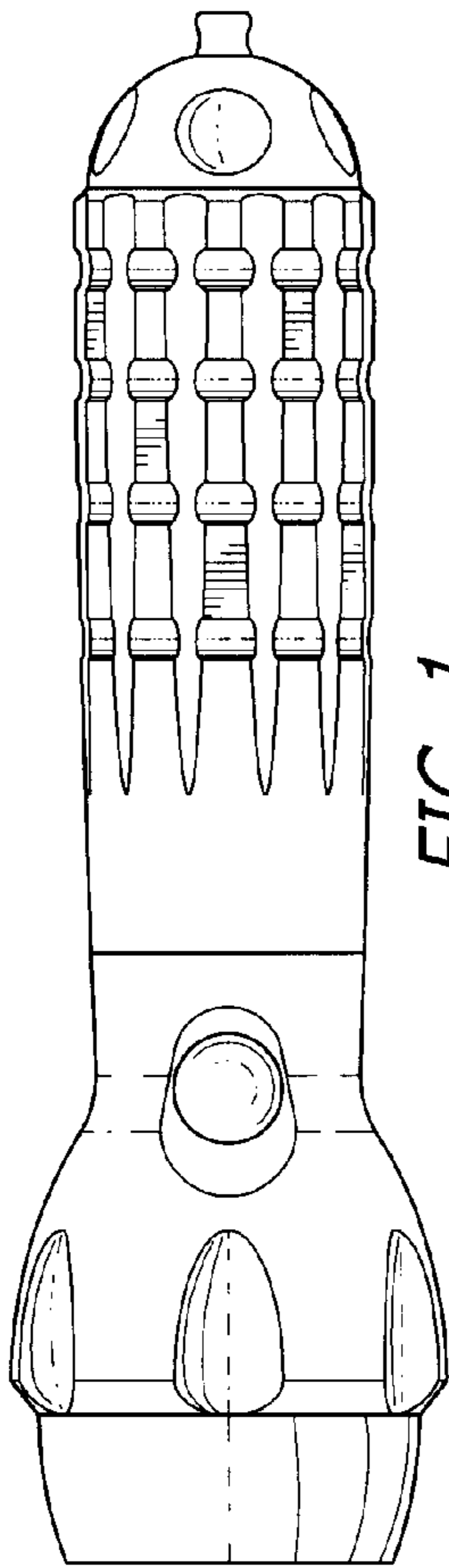


FIG. 1

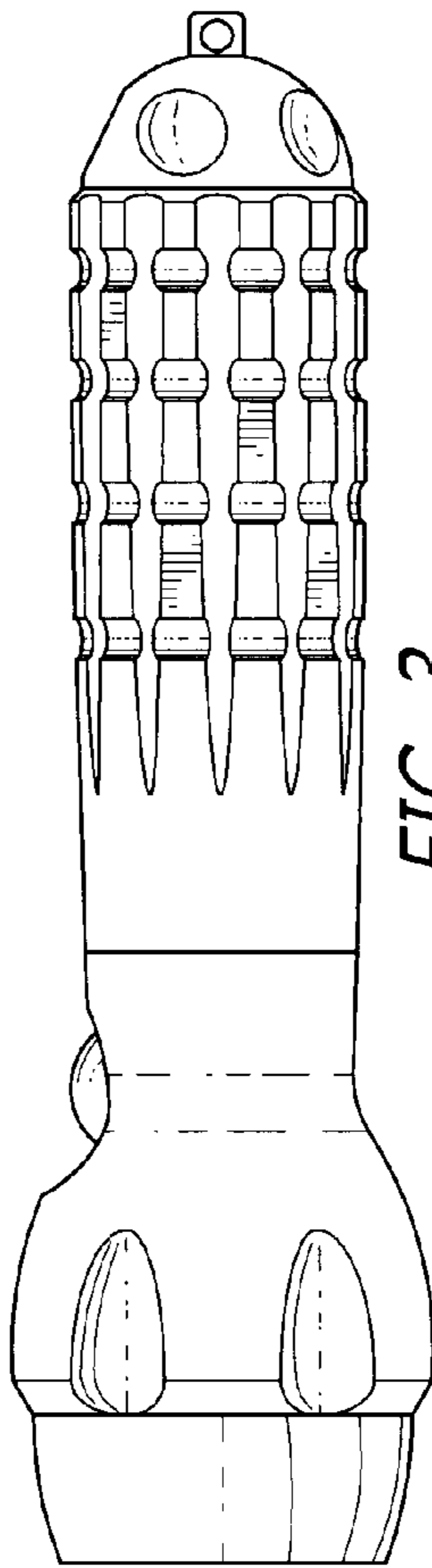


FIG. 3

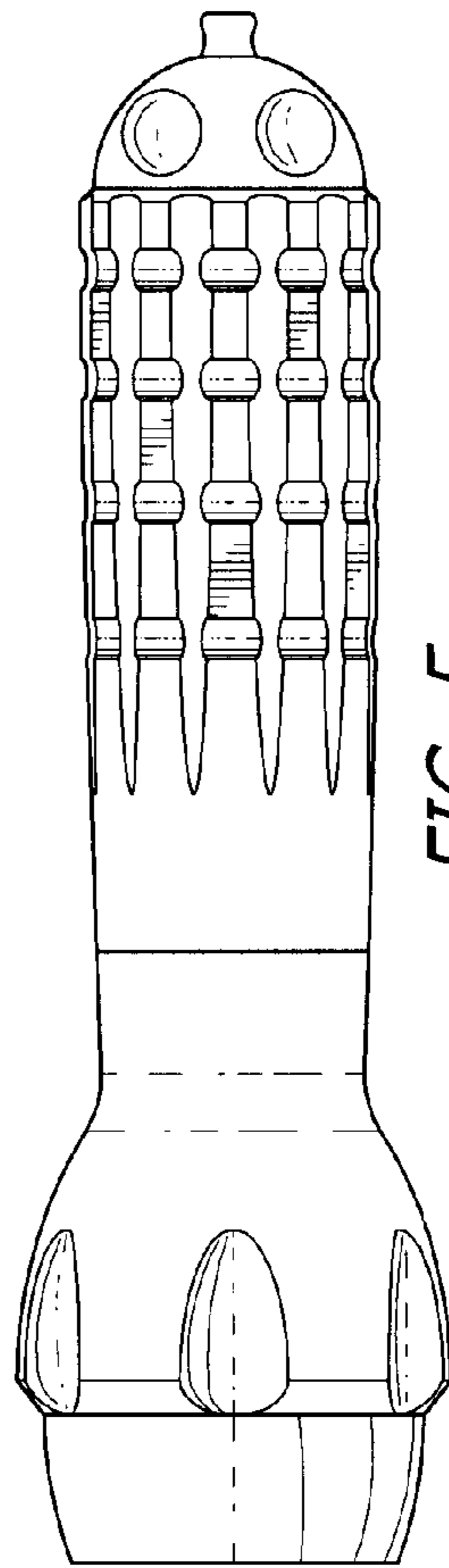


FIG. 5

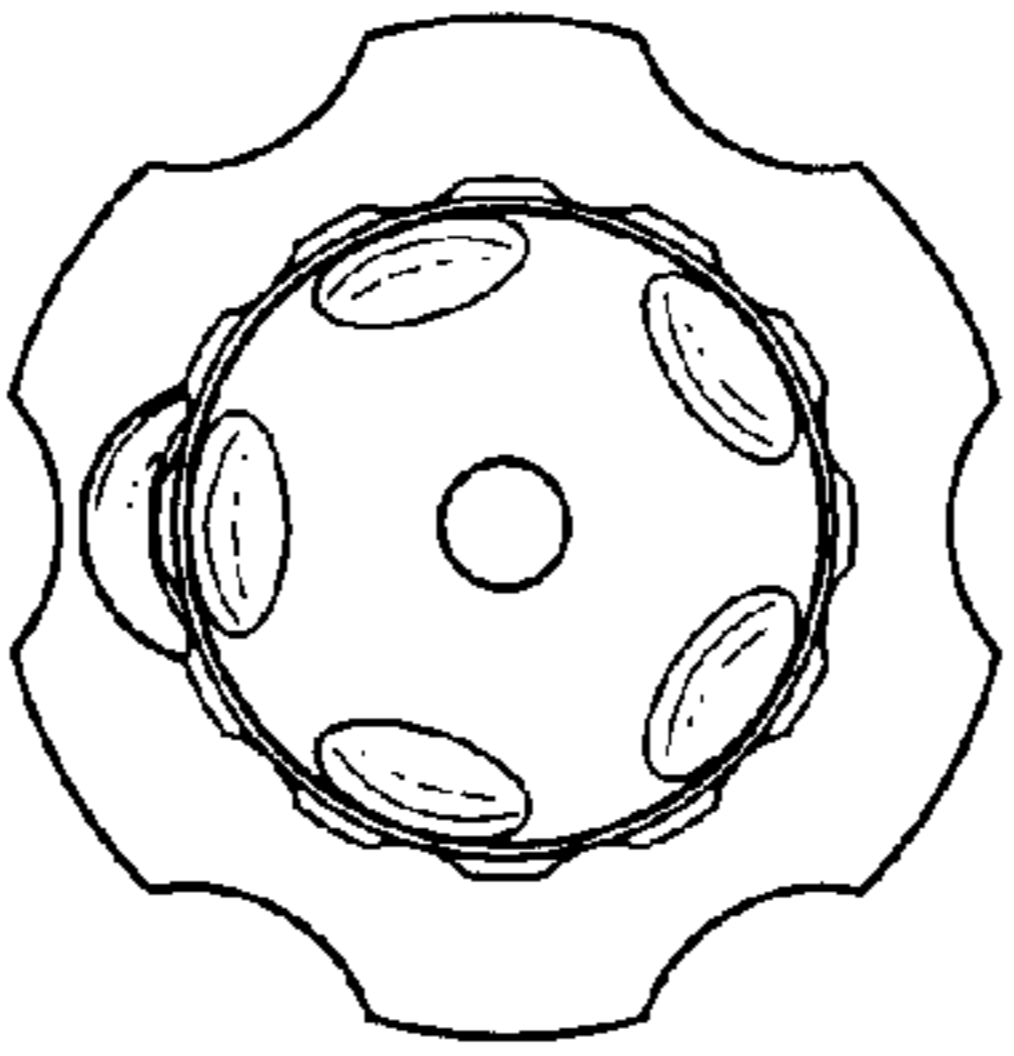


FIG. 4

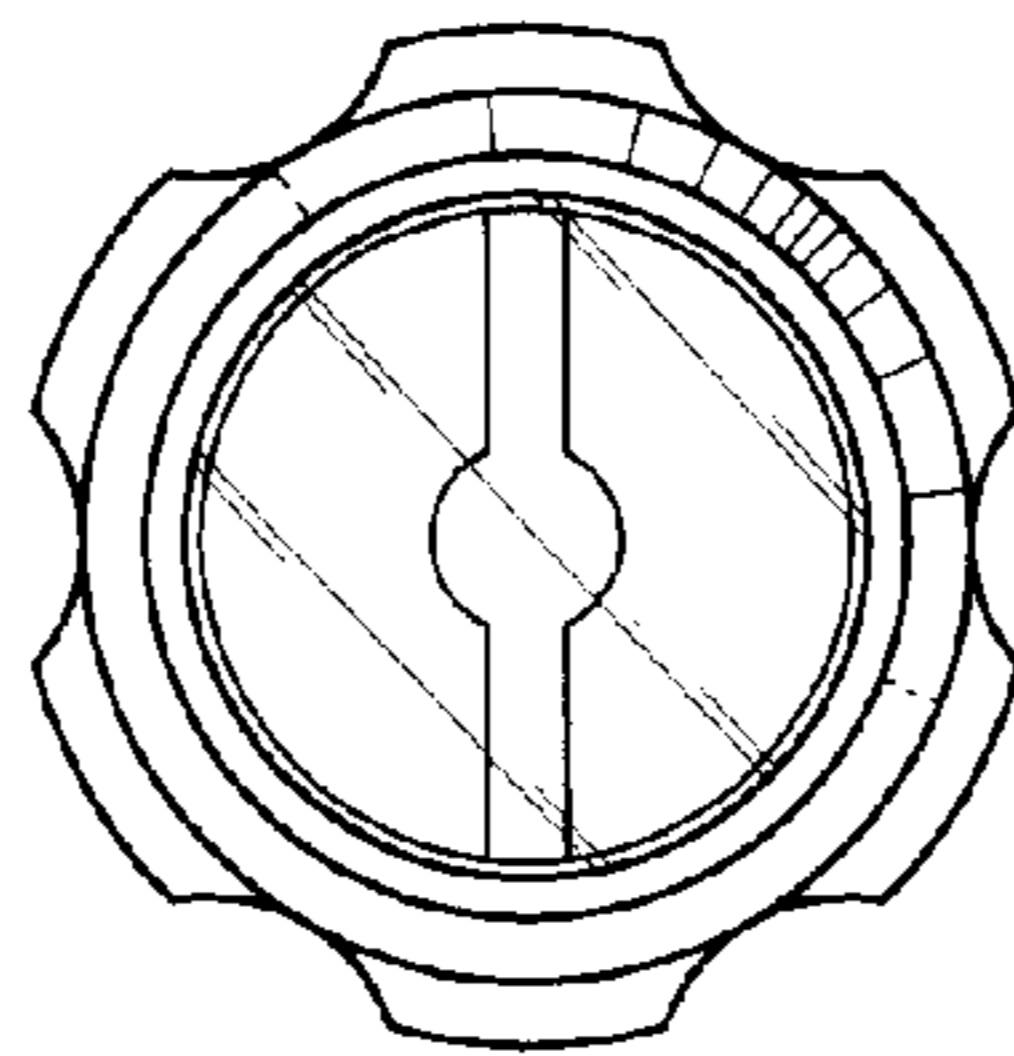


FIG. 2