



US00D537969S

(12) **United States Design Patent**
Moser

(10) **Patent No.:** **US D537,969 S**

(45) **Date of Patent:** **** Mar. 6, 2007**

(54) **FLASHLIGHT WITH BATTERY**

(76) Inventor: **John Moser**, 5239 Waltann La.,
Scottsdale, AZ (US) 85254

(**) Term: **14 Years**

(21) Appl. No.: **29/253,621**

(22) Filed: **Feb. 9, 2006**

(51) **LOC (8) Cl.** **26-02**

(52) **U.S. Cl.** **D26/46**

(58) **Field of Classification Search** D26/37-50;
362/157, 158, 171-174, 183-208
See application file for complete search history.

(56) **References Cited**

U.S. PATENT DOCUMENTS

D430,323 S	*	8/2000	Yuen	D26/46
D443,708 S	*	6/2001	Lynch et al.	D26/46
D508,579 S	*	8/2005	Kim et al.	D26/46
D520,165 S	*	5/2006	Yuen	D26/46

* cited by examiner

Primary Examiner—Marcus A. Jackson

(74) *Attorney, Agent, or Firm*—Michael C. Cesarano;
Akerman Senterfitt

(57) **CLAIM**

I claim the ornamental design for a flashlight with battery, as shown.

DESCRIPTION

FIG. 1 is a front top perspective view of the flashlight with battery.

FIG. 2 is a left elevational view of the flashlight with battery.

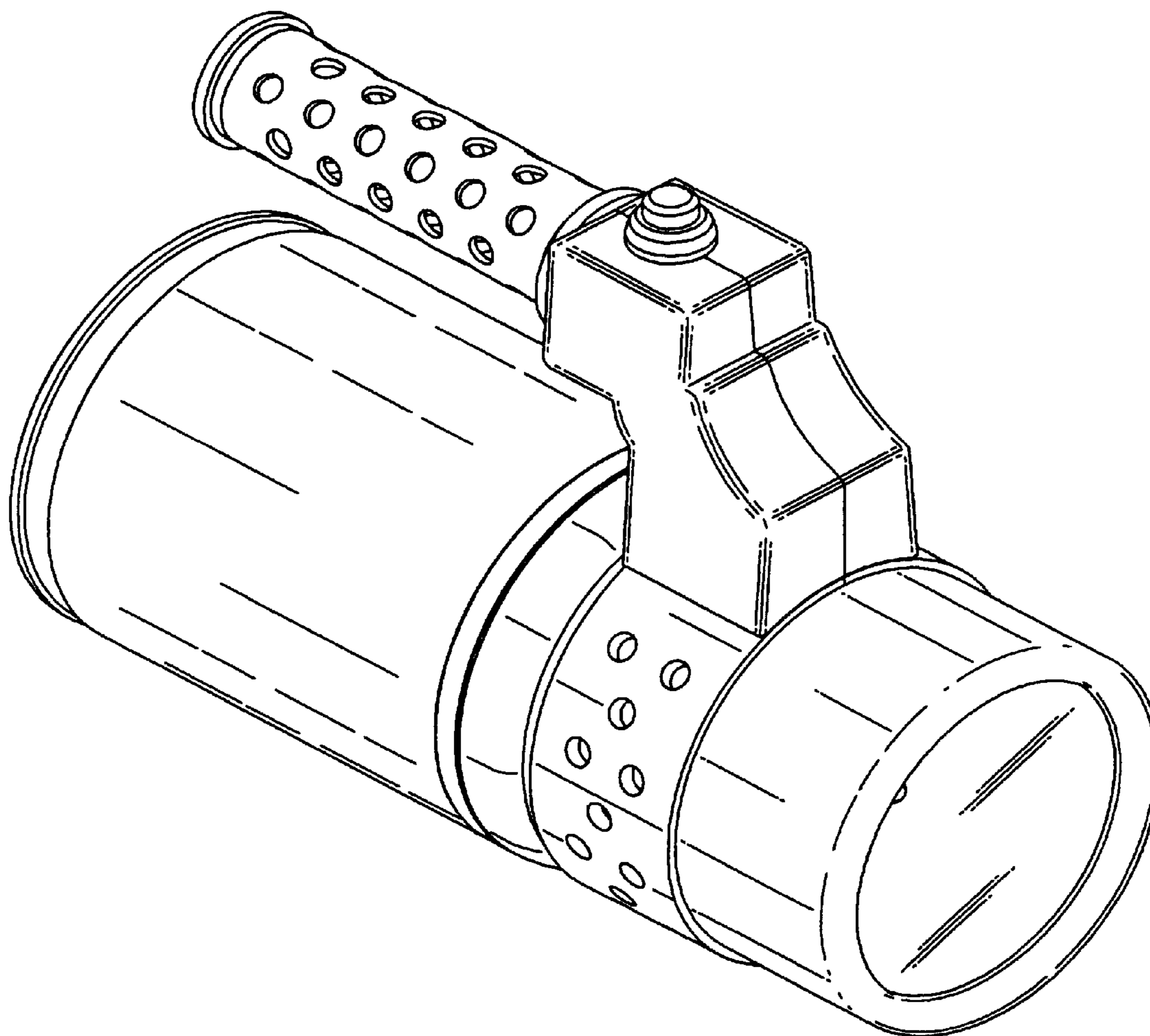
FIG. 3 is a right elevational view of the flashlight with battery.

FIG. 4 is a front elevational of the flashlight with battery.

FIG. 5 is a rear elevational view of the flashlight with battery.

FIG. 6 is a top plan view of the flashlight with battery; and,
FIG. 7 is a bottom plan view of the flashlight with battery.

1 Claim, 4 Drawing Sheets



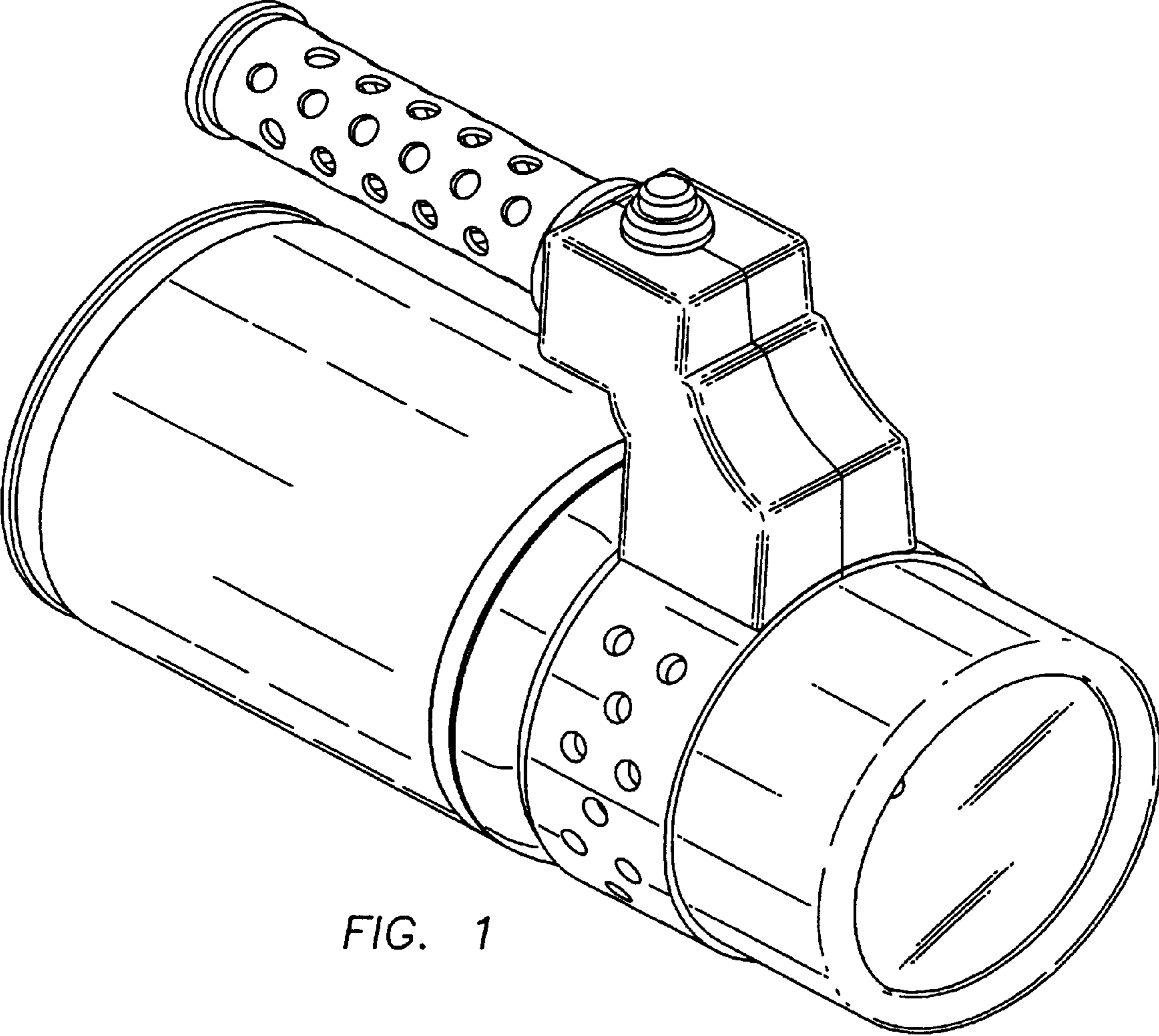


FIG. 1

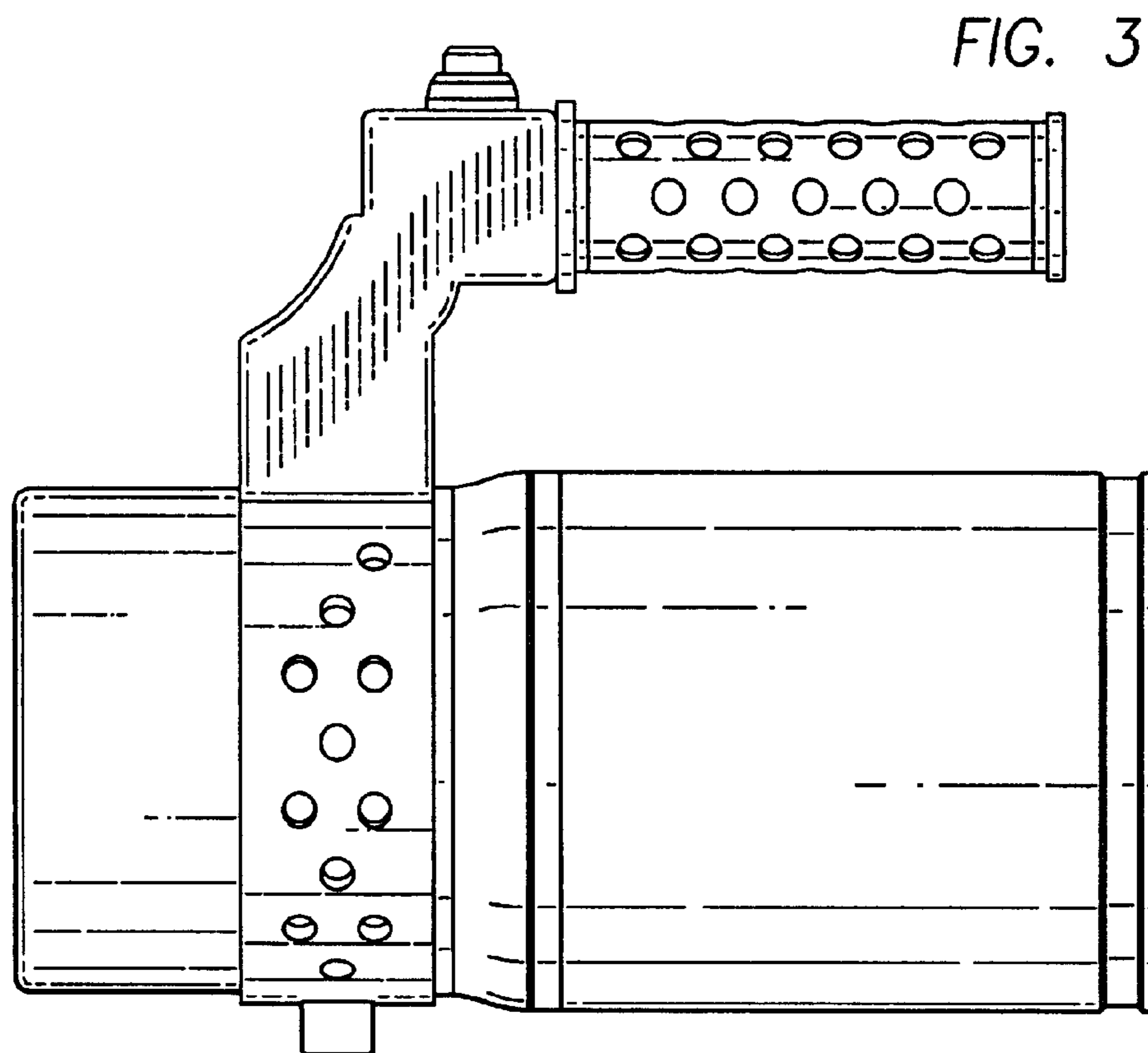
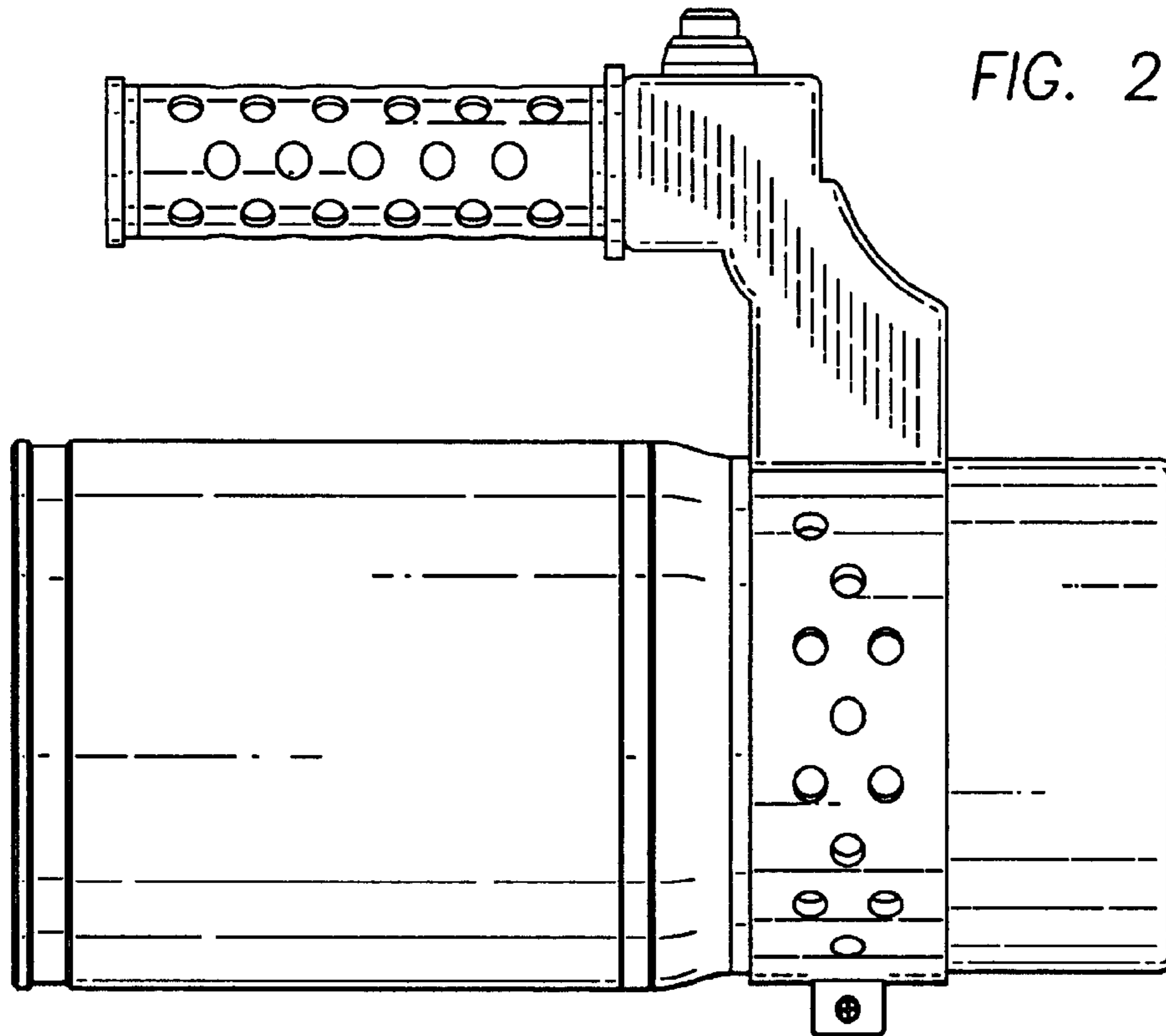


FIG. 4

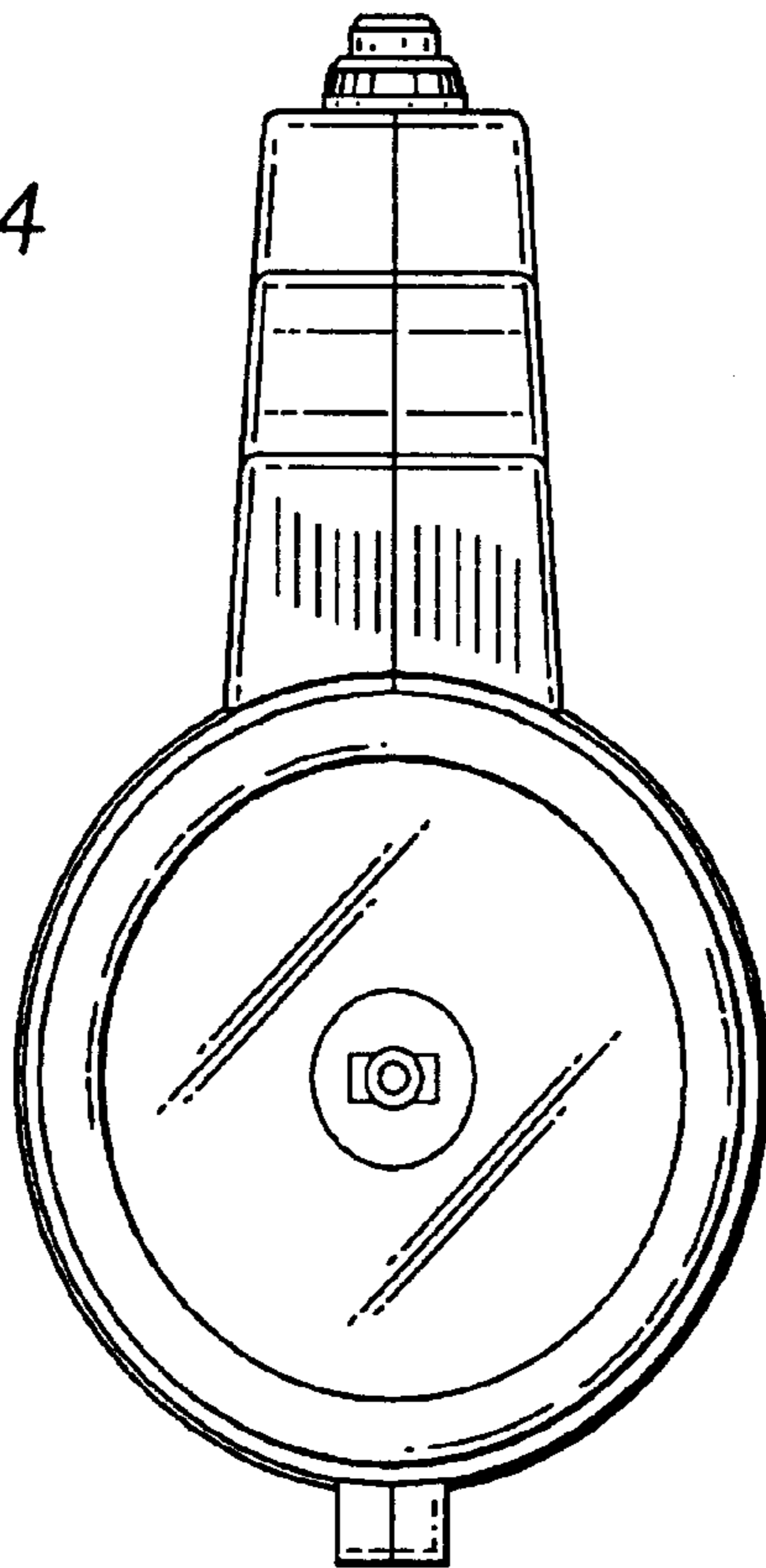


FIG. 5

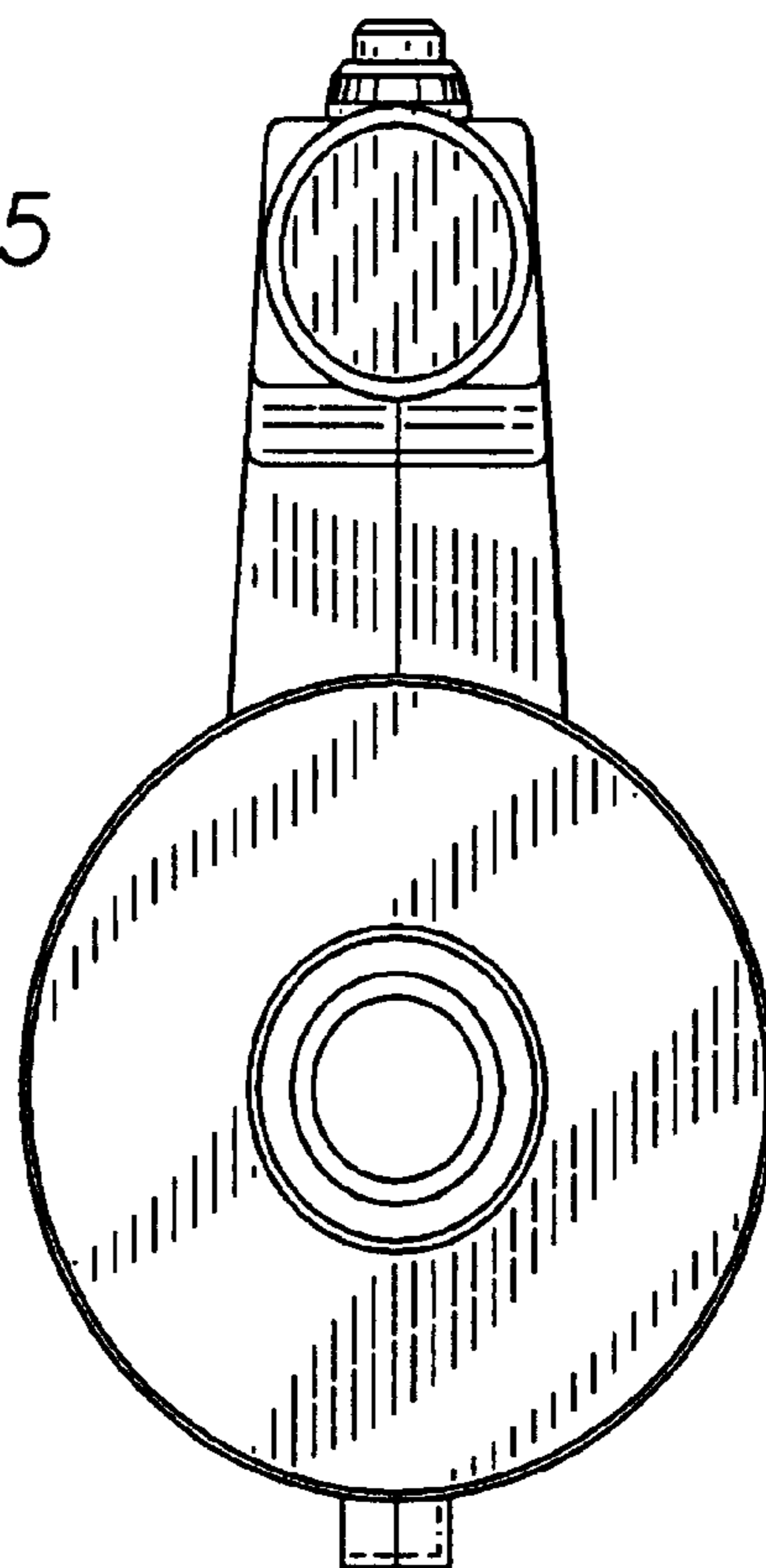


FIG. 6

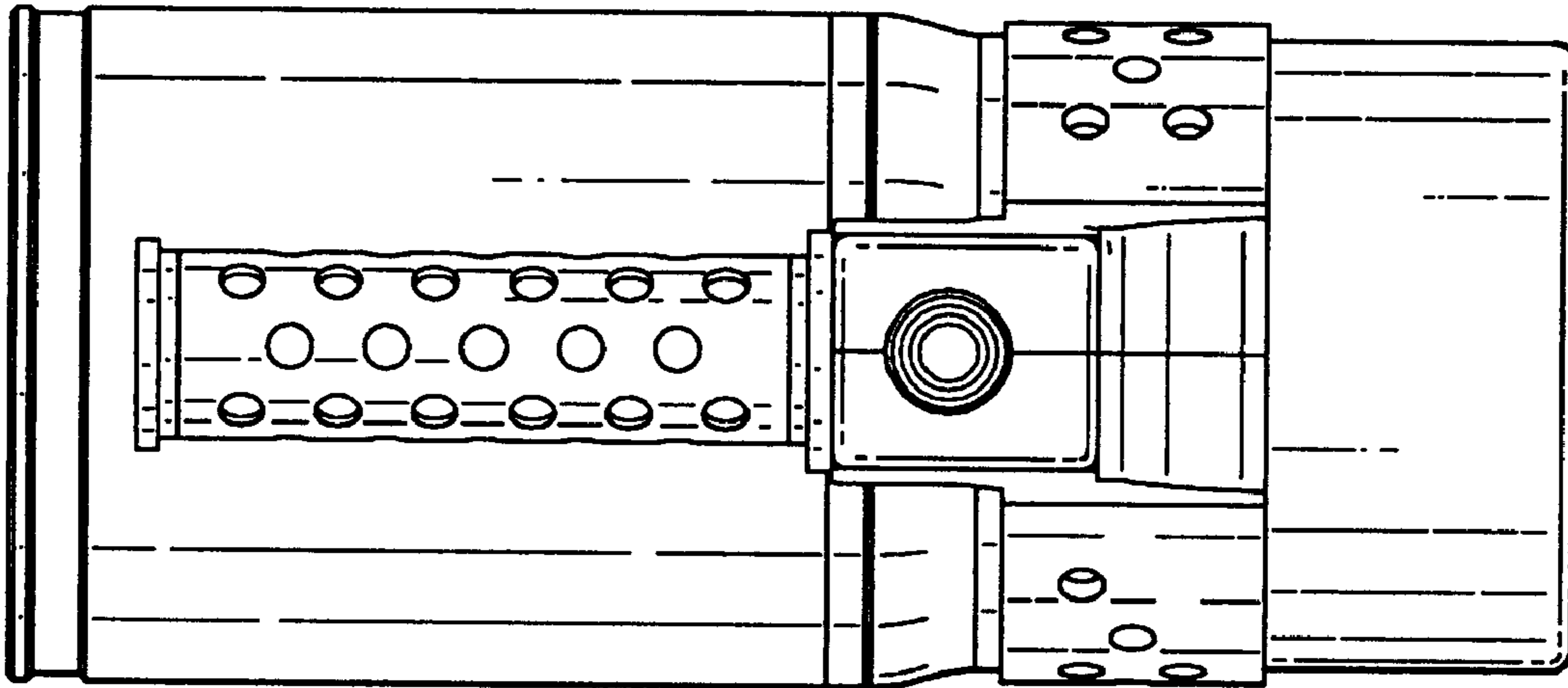


FIG. 7

