



US00D537968S

(12) **United States Design Patent**
Shiu

(10) **Patent No.:** **US D537,968 S**

(45) **Date of Patent:** **** Mar. 6, 2007**

(54) **LANTERN**

D468,039 S * 12/2002 Poon D26/40
D486,598 S * 2/2004 Lo D26/40

(75) **Inventor:** **Stephanie Wai Man Shiu**, Hong Kong (HK)

* cited by examiner

(73) **Assignee:** **Gold Coral International Limited**, Hong Kong (HK)

Primary Examiner—Marcus A. Jackson
(74) *Attorney, Agent, or Firm*—Joseph G. Swan, PC

(**) **Term:** **14 Years**

(57) **CLAIM**

(21) **Appl. No.:** **29/253,672**

The ornamental design for a lantern, as shown and described.

(22) **Filed:** **Feb. 10, 2006**

(30) **Foreign Application Priority Data**

DESCRIPTION

Sep. 21, 2005 (HK) 0502200

FIG. 1 is a front elevational view of a lantern according to the present invention.

(51) **LOC (8) Cl.** **26-02**

FIG. 2 is a rear elevational view of the lantern.

(52) **U.S. Cl.** **D26/40**

FIG. 3 is a right side elevational view of the lantern.

(58) **Field of Classification Search** D26/37-50;
362/157, 158, 171-174, 183-208

FIG. 4 is a left side elevational view of the lantern.

See application file for complete search history.

FIG. 5 is a top plan view of the lantern; and,

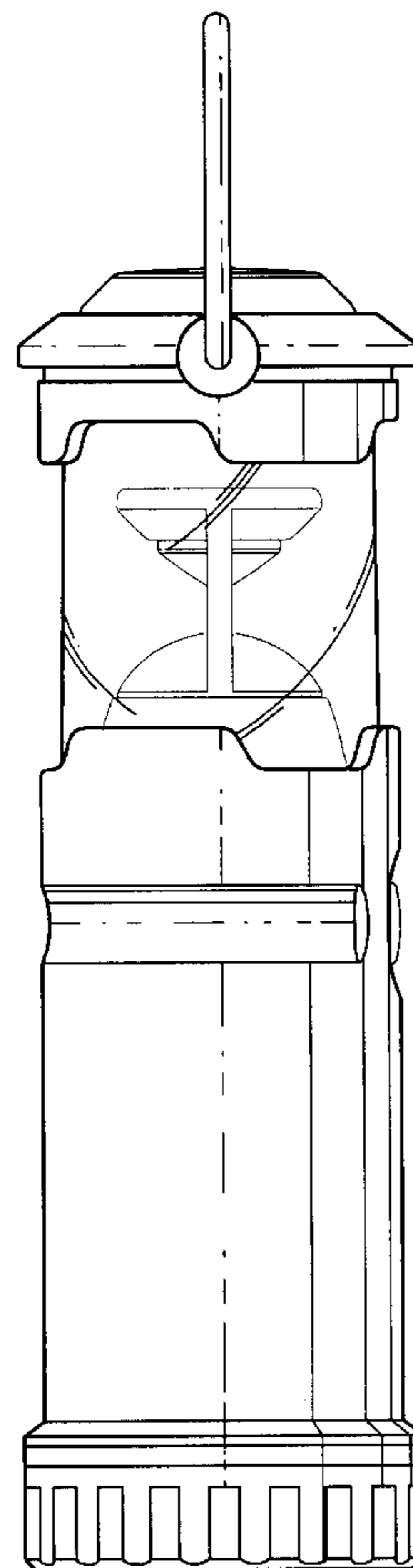
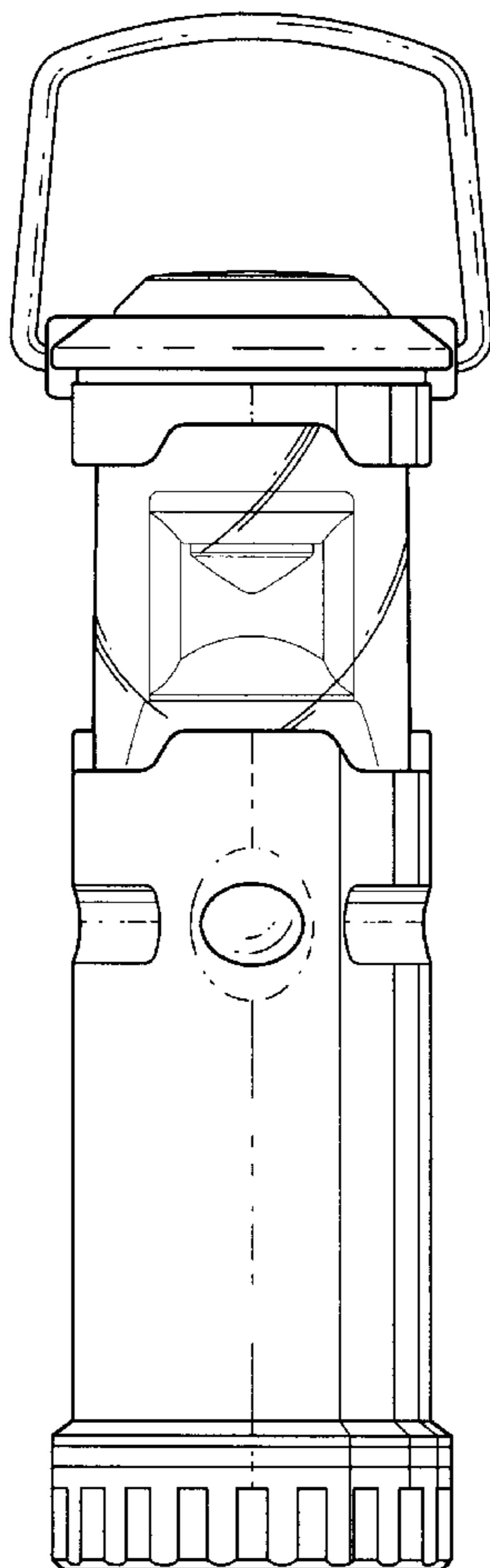
FIG. 6 is a bottom plan view of the lantern.

(56) **References Cited**

U.S. PATENT DOCUMENTS

1 Claim, 2 Drawing Sheets

D334,437 S * 3/1993 Poon D26/42



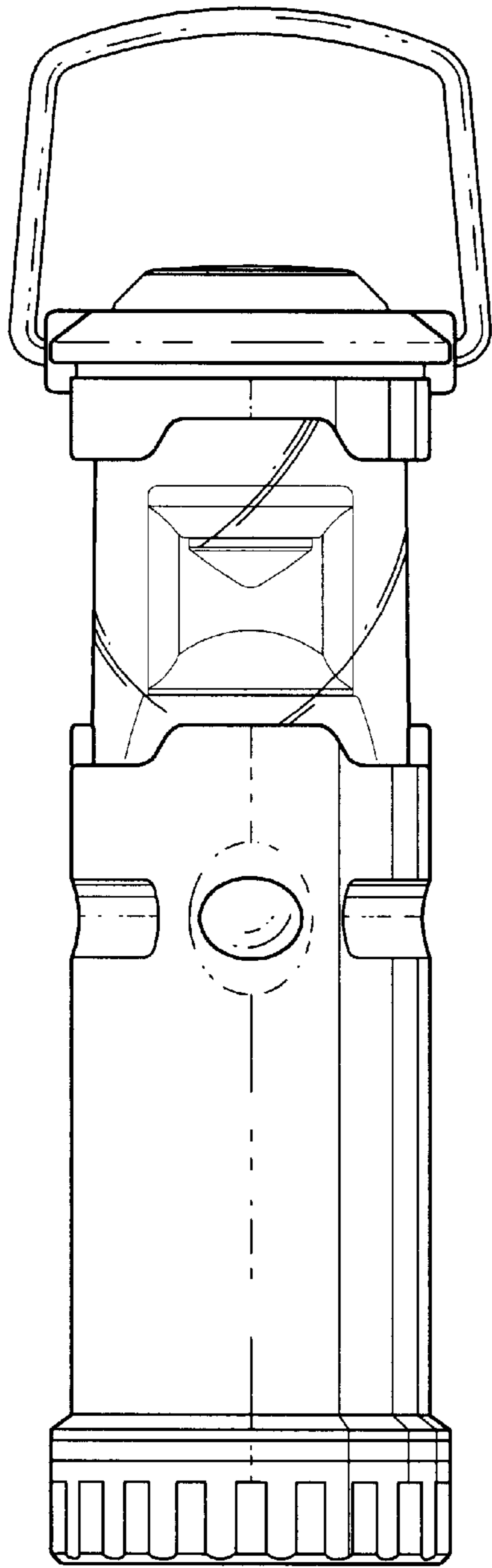


FIG. 1

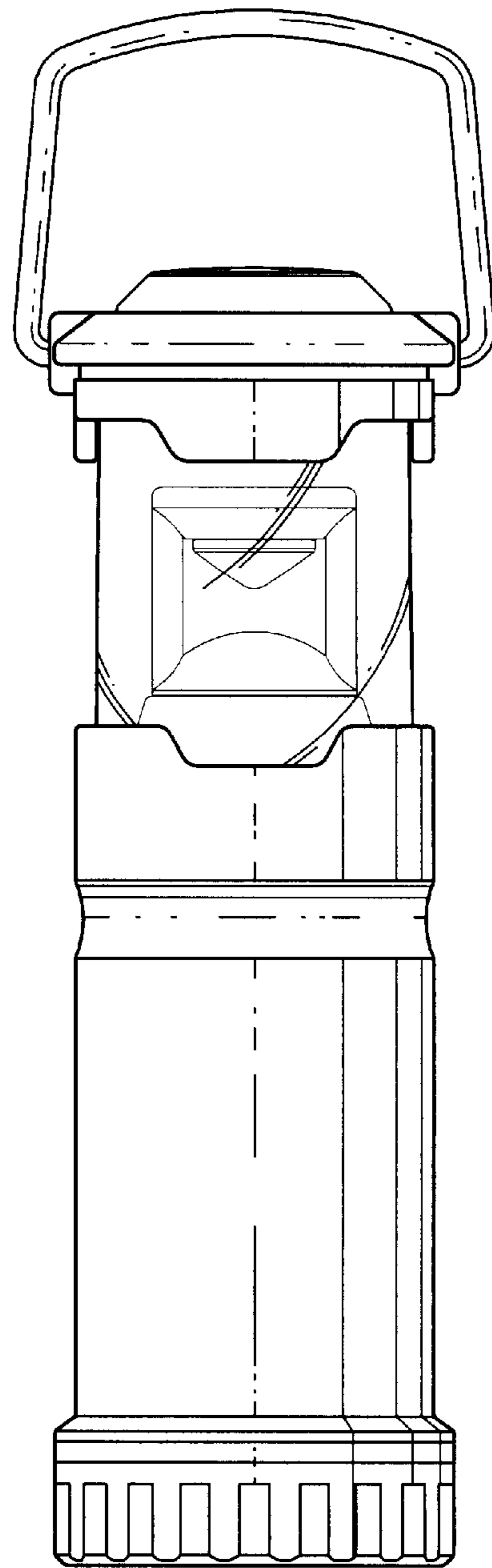


FIG. 2

FIG. 3

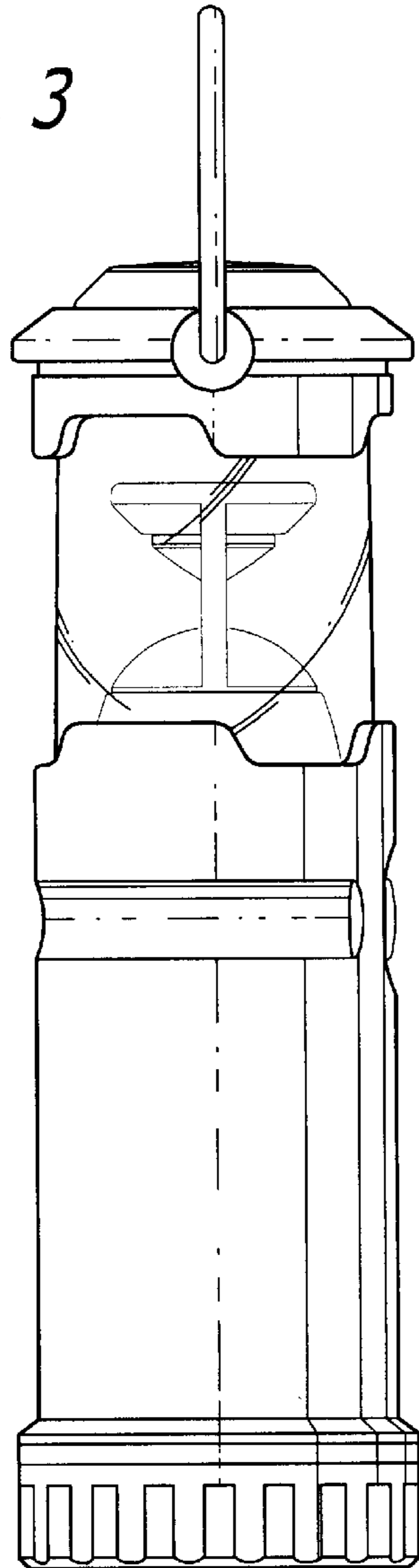


FIG. 4

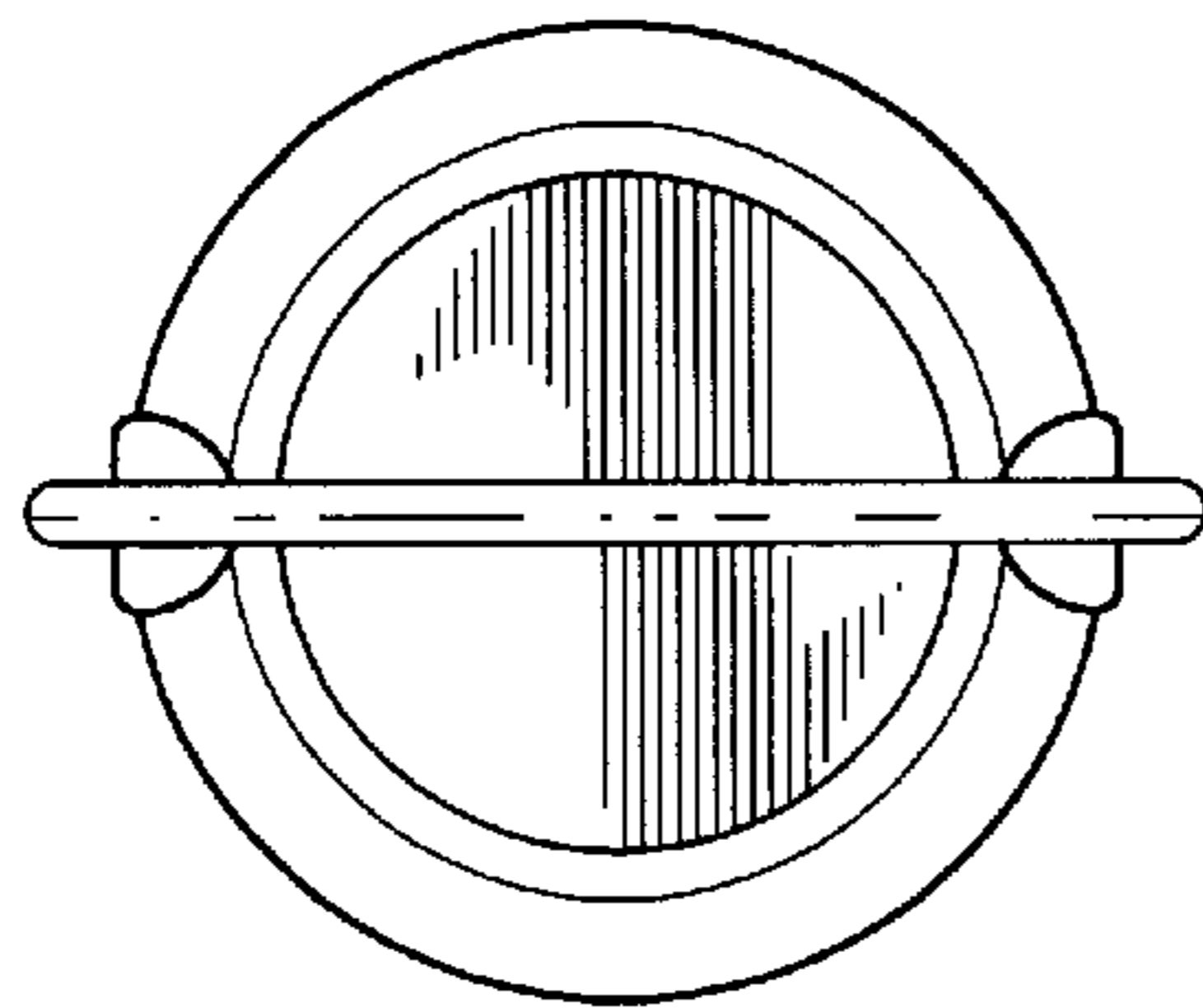
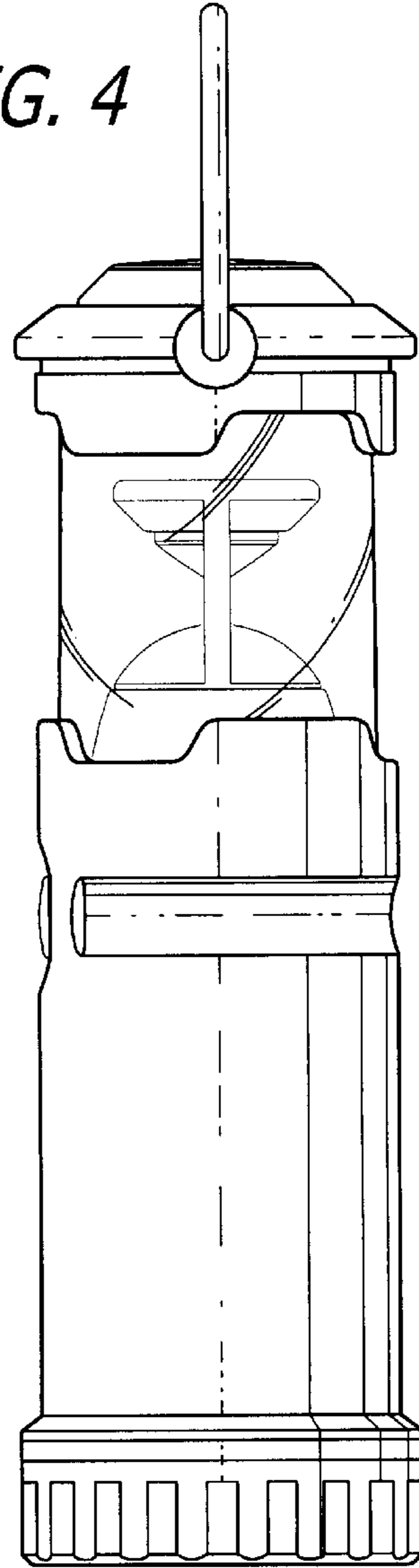


FIG. 5

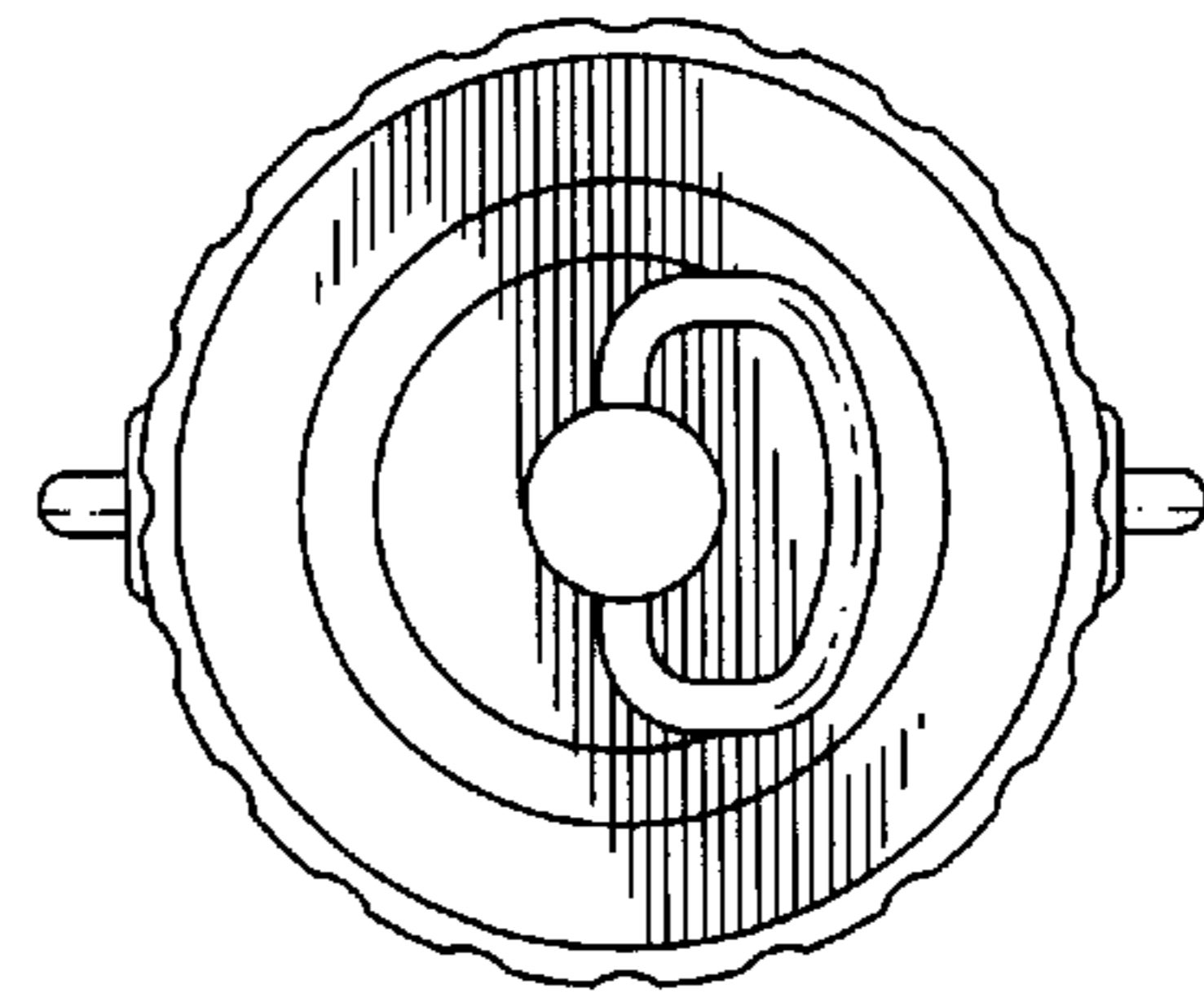


FIG. 6